



US00D458615S

(12) **United States Design Patent**
Borstad

(10) **Patent No.:** **US D458,615 S**

(45) **Date of Patent:** **** Jun. 11, 2002**

(54) **RUBBER COMPACTING WHEEL ASSEMBLY FOR A BACKHOE**

Primary Examiner—Mitchell Siegel
(74) *Attorney, Agent, or Firm*—Howison, Thoma & Arnott, L.L.P.

(76) **Inventor:** **Wayne L. Borstad**, 971 Redceder Way, Coppell, TX (US) 75019

(57) **CLAIM**

(**) **Term:** **14 Years**

The ornamental design for rubber compacting wheel assembly for a backhoe, as shown and described.

(21) **Appl. No.:** **29/133,256**

DESCRIPTION

(22) **Filed:** **Nov. 27, 2000**

(51) **LOC (7) Cl.** **15-03**

(52) **U.S. Cl.** **D15/32**

(58) **Field of Search** D15/32, 28; 404/121, 404/127, 128, 112; 37/142.5, 379, 410, 444; 414/697, 724

FIG. 1 is a left side, elevation view of my new design for a rubber compacting wheel assembly for a backhoe;
FIG. 2 is a front, elevation view of the rubber compacting wheel assembly;
FIG. 3 is a top view of the rubber compacting wheel assembly;
FIG. 4 is a bottom view of the rubber compacting wheel assembly;
FIG. 5 is a right side, elevation view of the rubber compacting wheel assembly; and,
FIG. 6 is a rear, elevation view of the rubber compacting wheel assembly.

(56) **References Cited**

U.S. PATENT DOCUMENTS

2,891,335	A	*	6/1959	Linneman	37/142.5
3,595,411	A	*	7/1971	Ables	414/697
3,891,342	A		6/1975	Roe	404/128
4,490,070	A	*	12/1984	Upchurch et al.	404/121
D451,104	S	*	11/2001	Halstead	D15/28

A tire tread on the rubber compacting wheel and a mounting bracket are shown in phantom in FIGS. 1 and 2, and do not form a part of my new design.

* cited by examiner

1 Claim, 2 Drawing Sheets

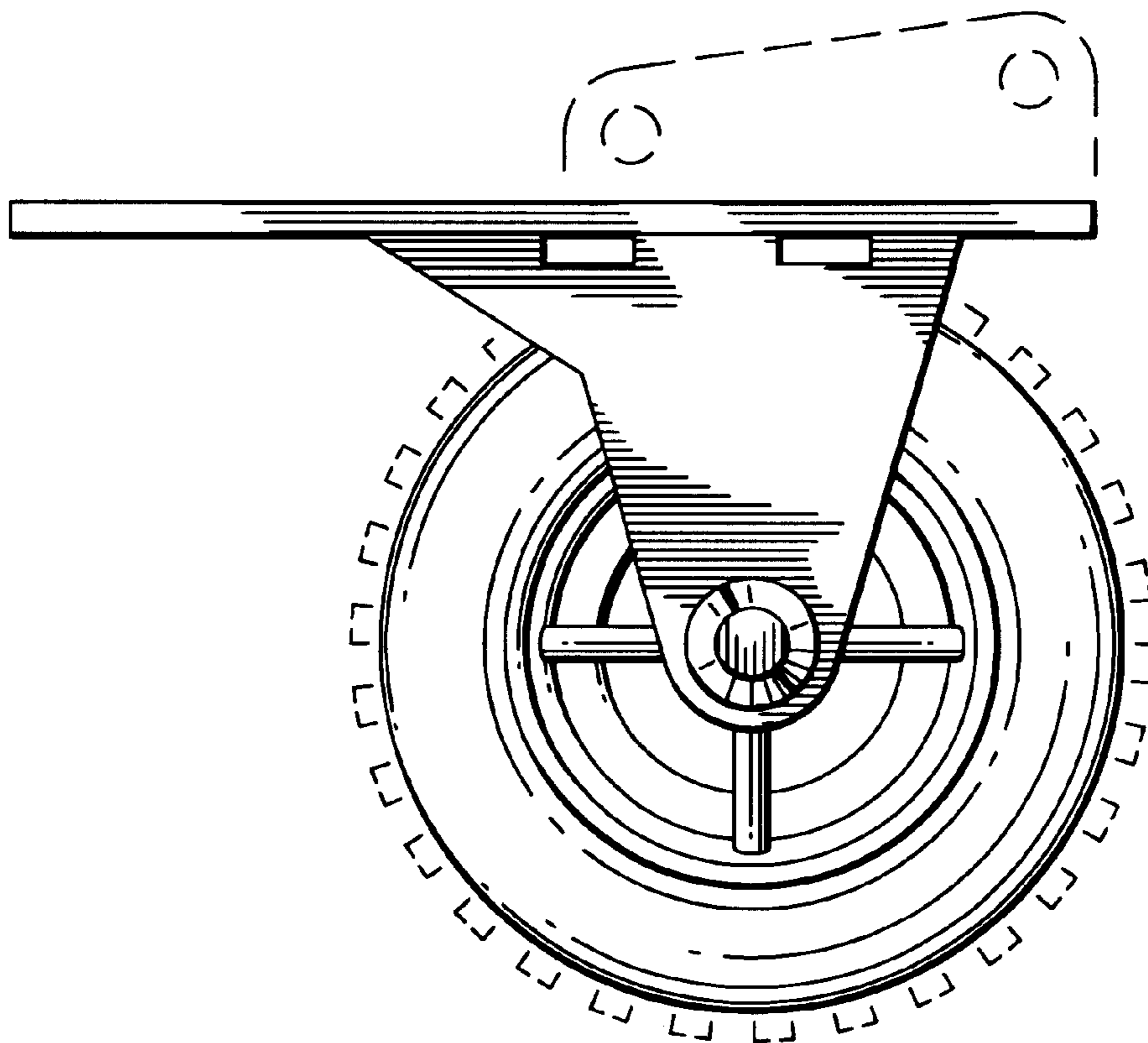


FIG. 1

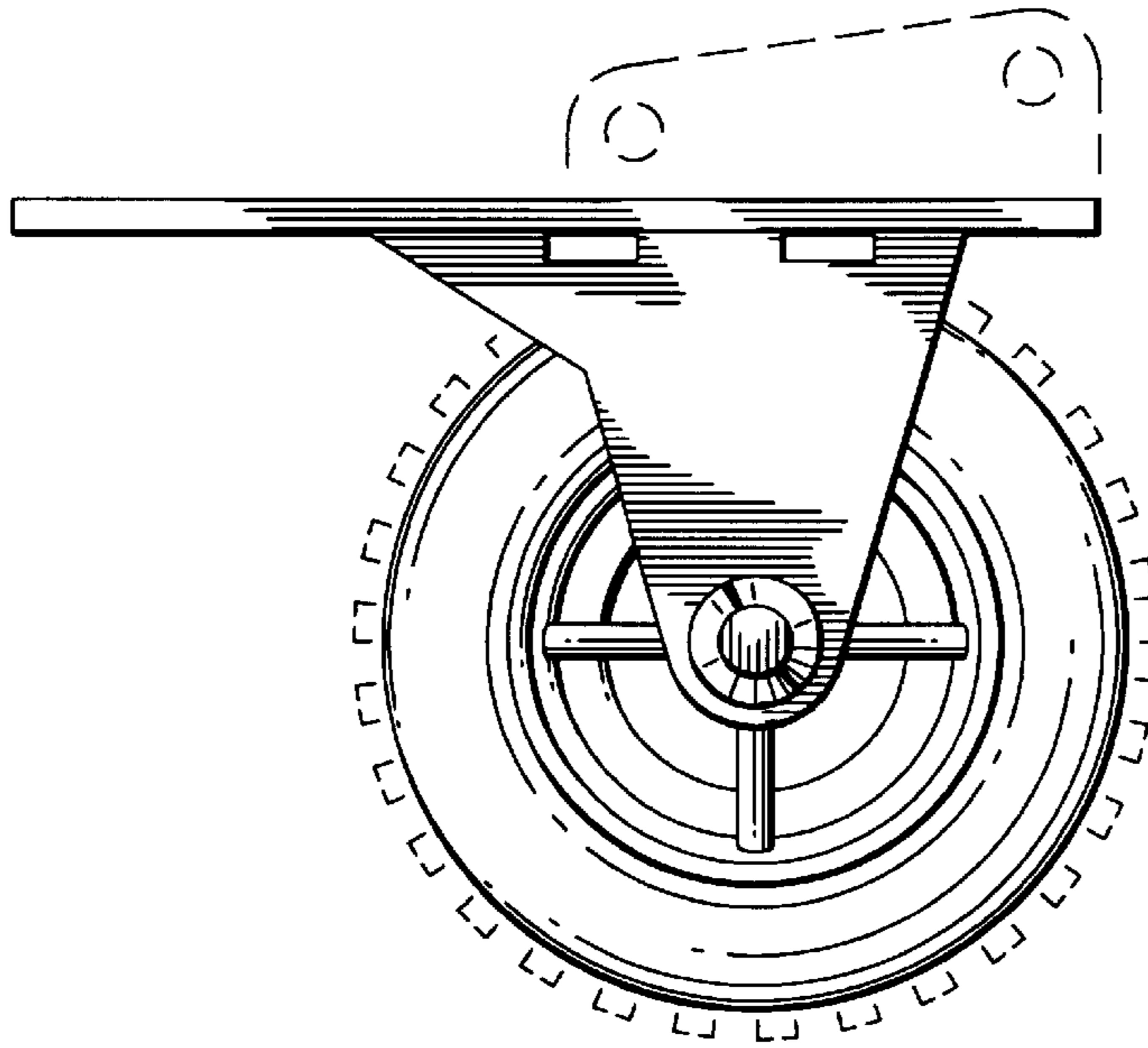


FIG. 2

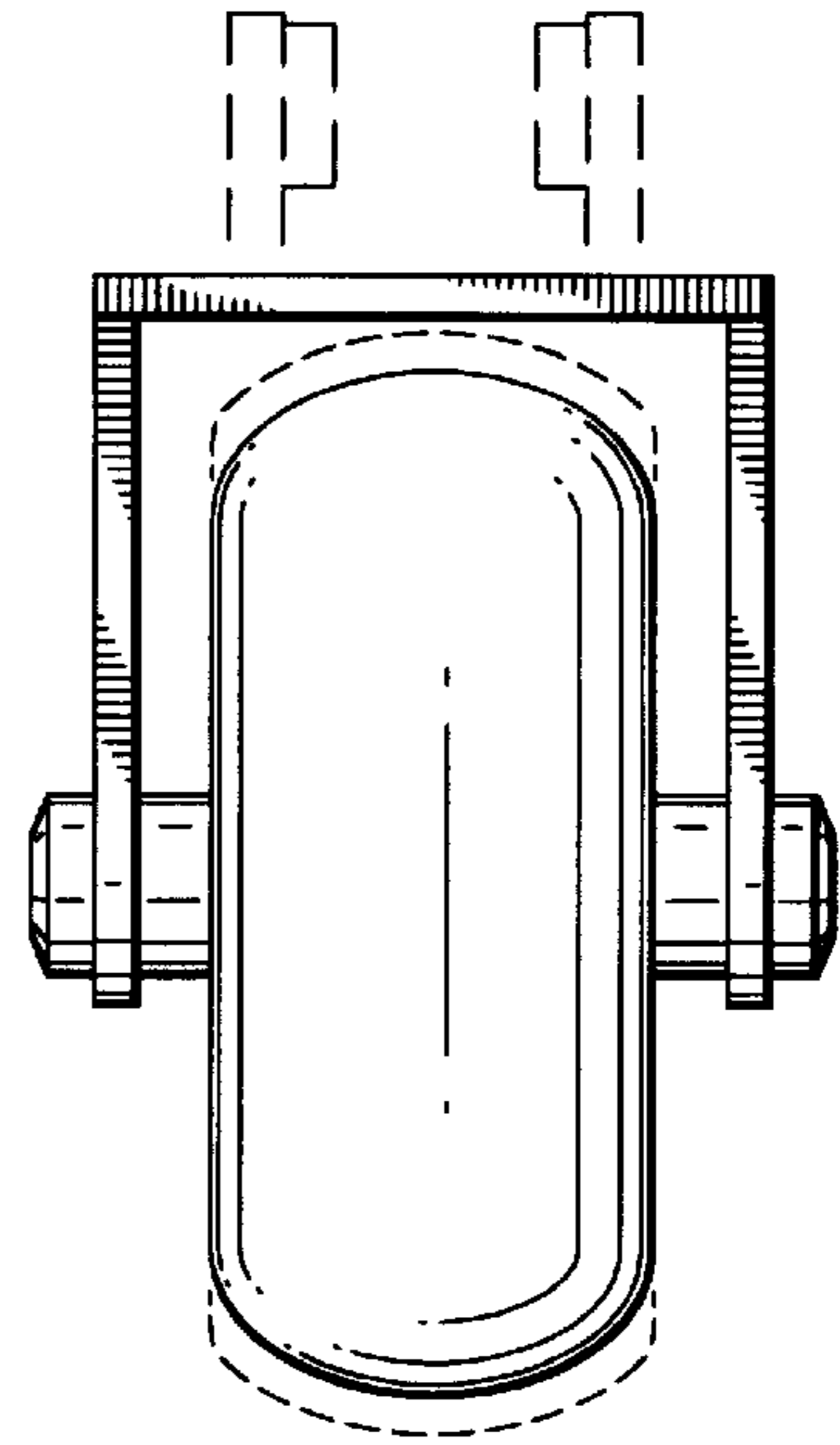


FIG. 3

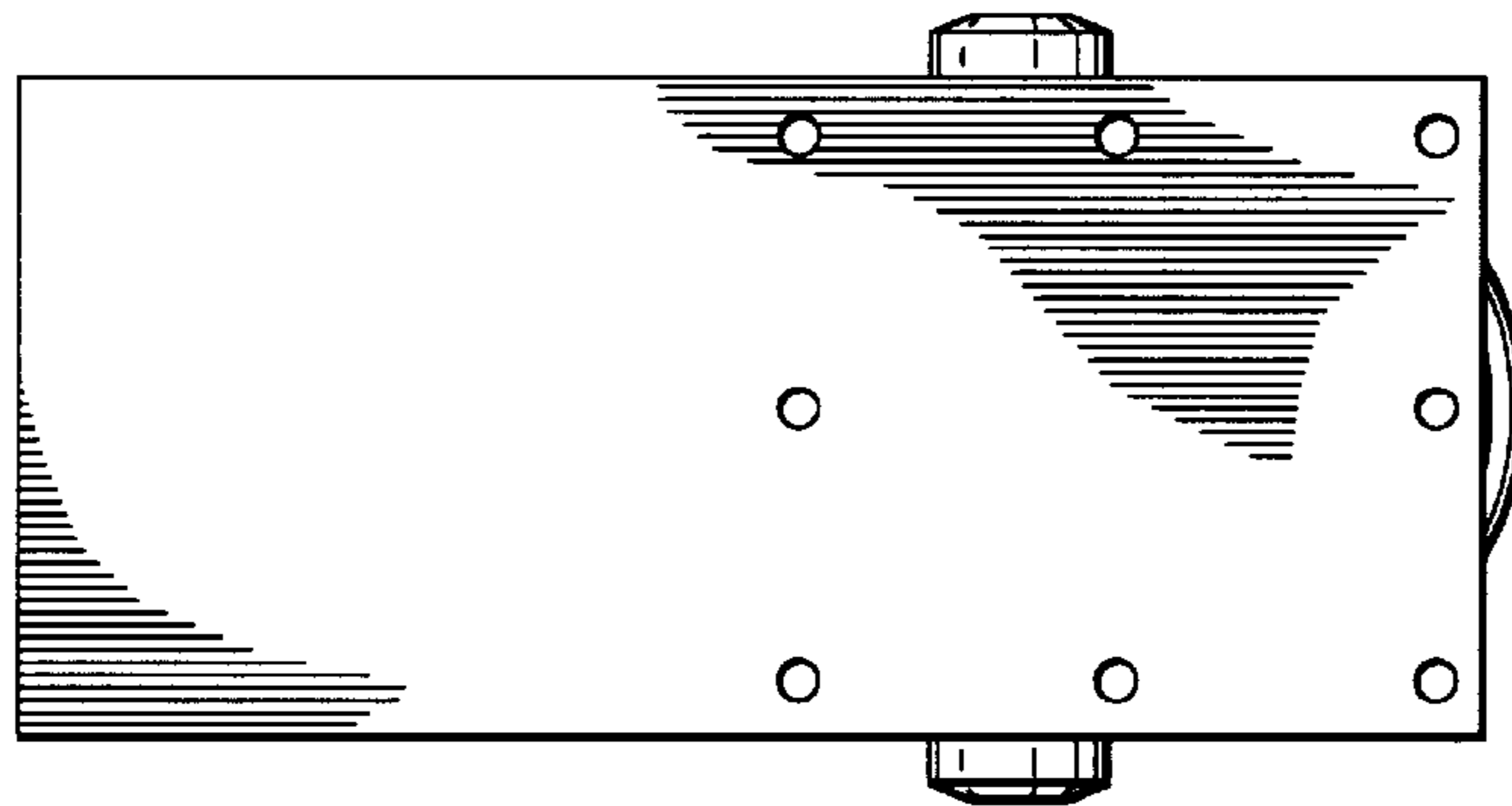


FIG. 4

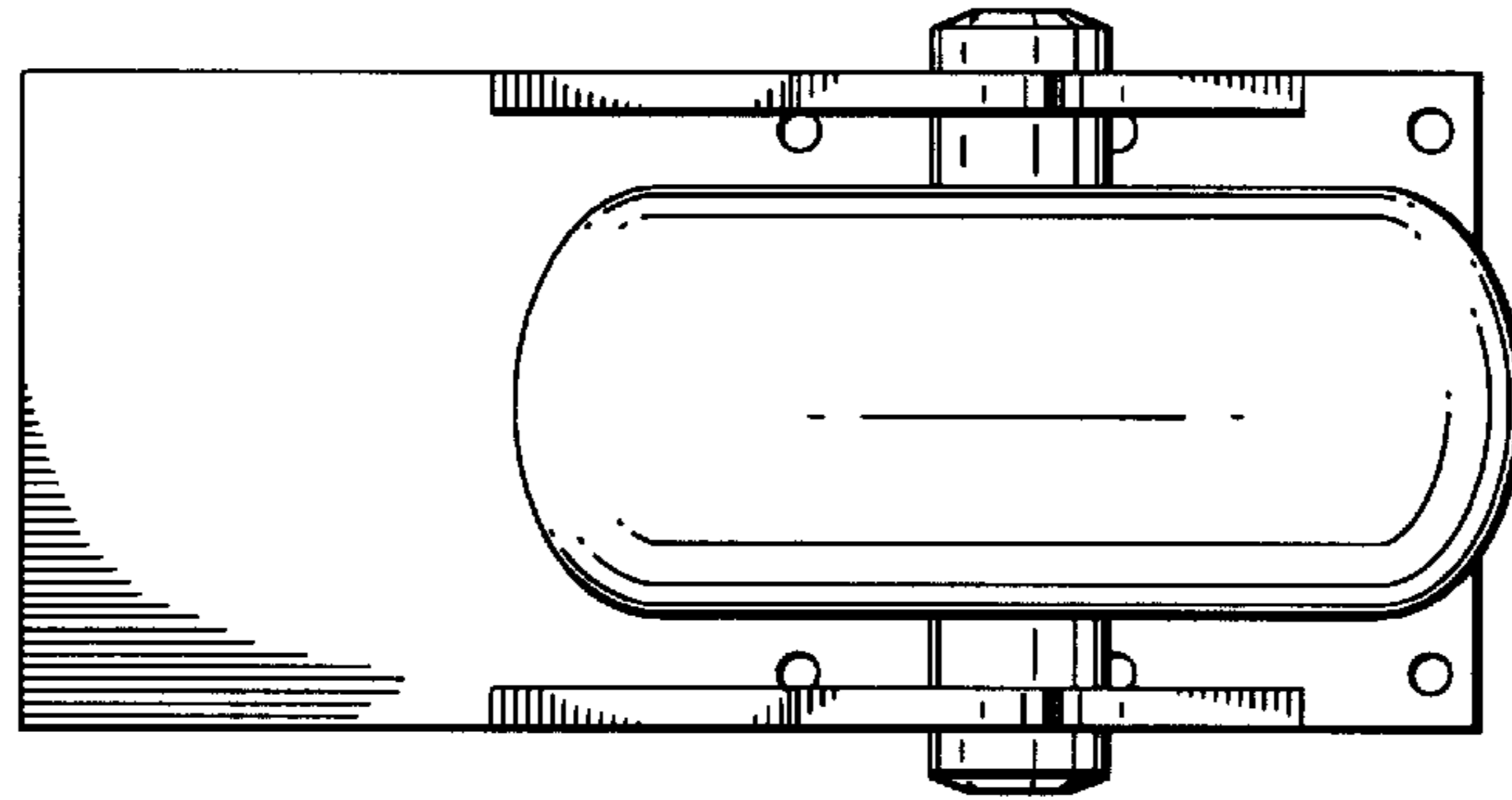


FIG. 5

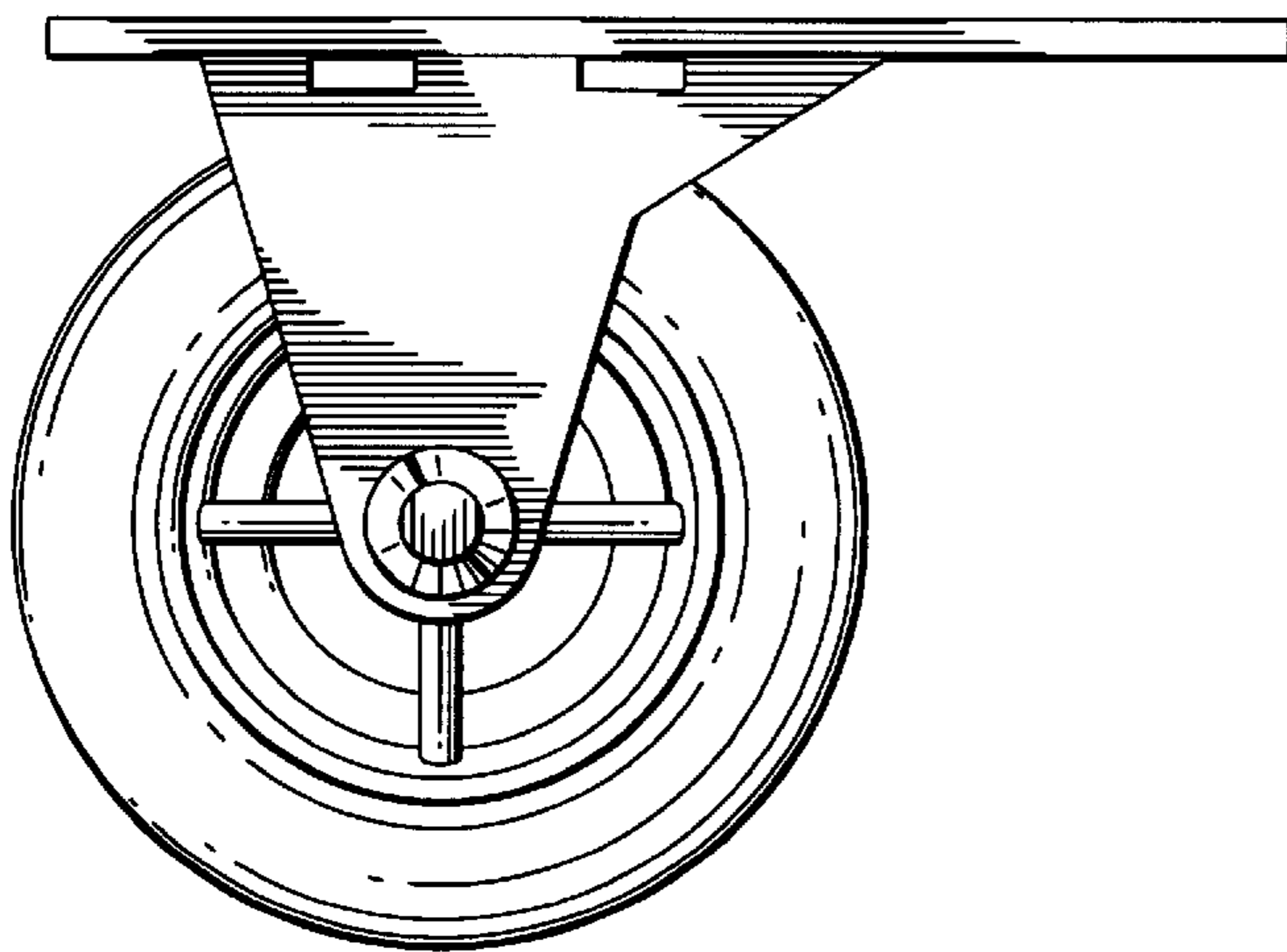


FIG. 6

