



US00D458614S

(12) **United States Design Patent**
Esterhuysen et al.

(10) **Patent No.:** **US D458,614 S**
(45) **Date of Patent:** **** Jun. 11, 2002**

(54) **GROUND-ENGAGING TOOL FOR AN EXCAVATION BUCKET**

5,392,870 A * 2/1995 Clapham et al.

OTHER PUBLICATIONS

(75) Inventors: **Schalk Willem Petrus Esterhuysen**, Pretoria; **Louw Kriel**, Boksburg North, both of (ZA)

Manufacturing Processes by Roberts and Lapidge, p. 1 and 2 (1977).*

* cited by examiner

(73) Assignee: **Caterpillar SARL**, Geneva (CH)

Primary Examiner—Mitchell Siegel

(**) Term: **14 Years**

(74) *Attorney, Agent, or Firm*—Kilpatrick Stockton LLP

(21) Appl. No.: **29/124,924**

(57) **CLAIM**

(22) Filed: **Jun. 14, 2000**

The design for a ground-engaging tool for an excavation bucket, as shown and described.

(51) **LOC (7) Cl.** **15-03**

DESCRIPTION

(52) **U.S. Cl.** **D15/29**

(58) **Field of Search** D15/28, 29; 37/460, 37/450-453, 195; 299/527.5, 530, 109; 172/713

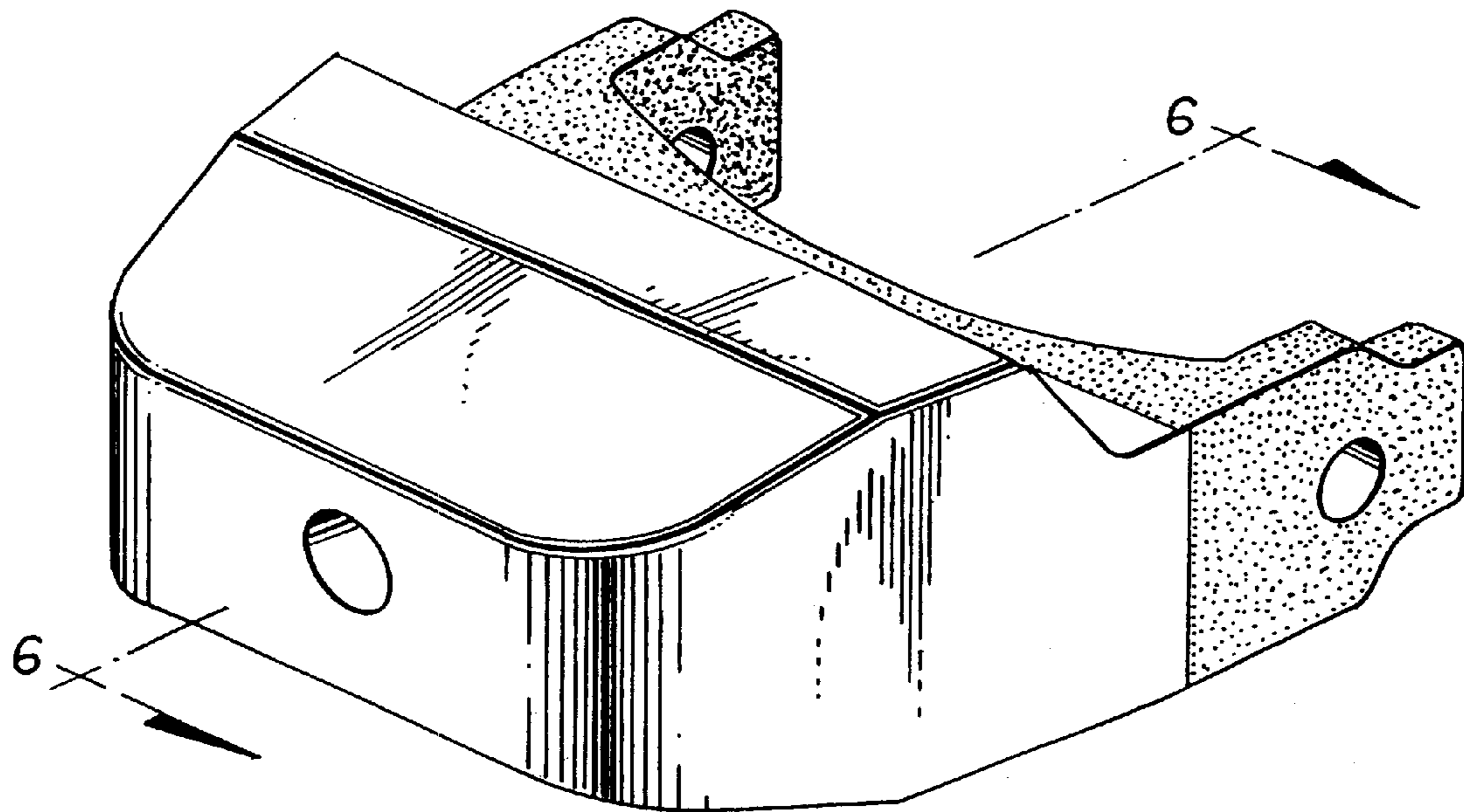
FIG. 1 is a perspective view of our new ground-engaging tool for an excavation bucket;
FIG. 2 is a bottom view thereof;
FIG. 3 is a top view thereof;
FIG. 4 is a left side view thereof;
FIG. 5 is a right side view thereof;
FIG. 6 is a cross sectional view taken on line 6—6 of FIG. 1;
FIG. 7 is the front view thereof; and,
FIG. 8 is a rear view thereof.

(56) **References Cited**

U.S. PATENT DOCUMENTS

- 3,622,206 A * 11/1971 Krekeler
- 3,805,423 A * 4/1974 Engel et al. 37/453
- 3,984,910 A * 10/1976 Helton et al.
- 5,081,774 A * 1/1992 Kuwano
- 5,375,350 A * 12/1994 Maybon

1 Claim, 3 Drawing Sheets



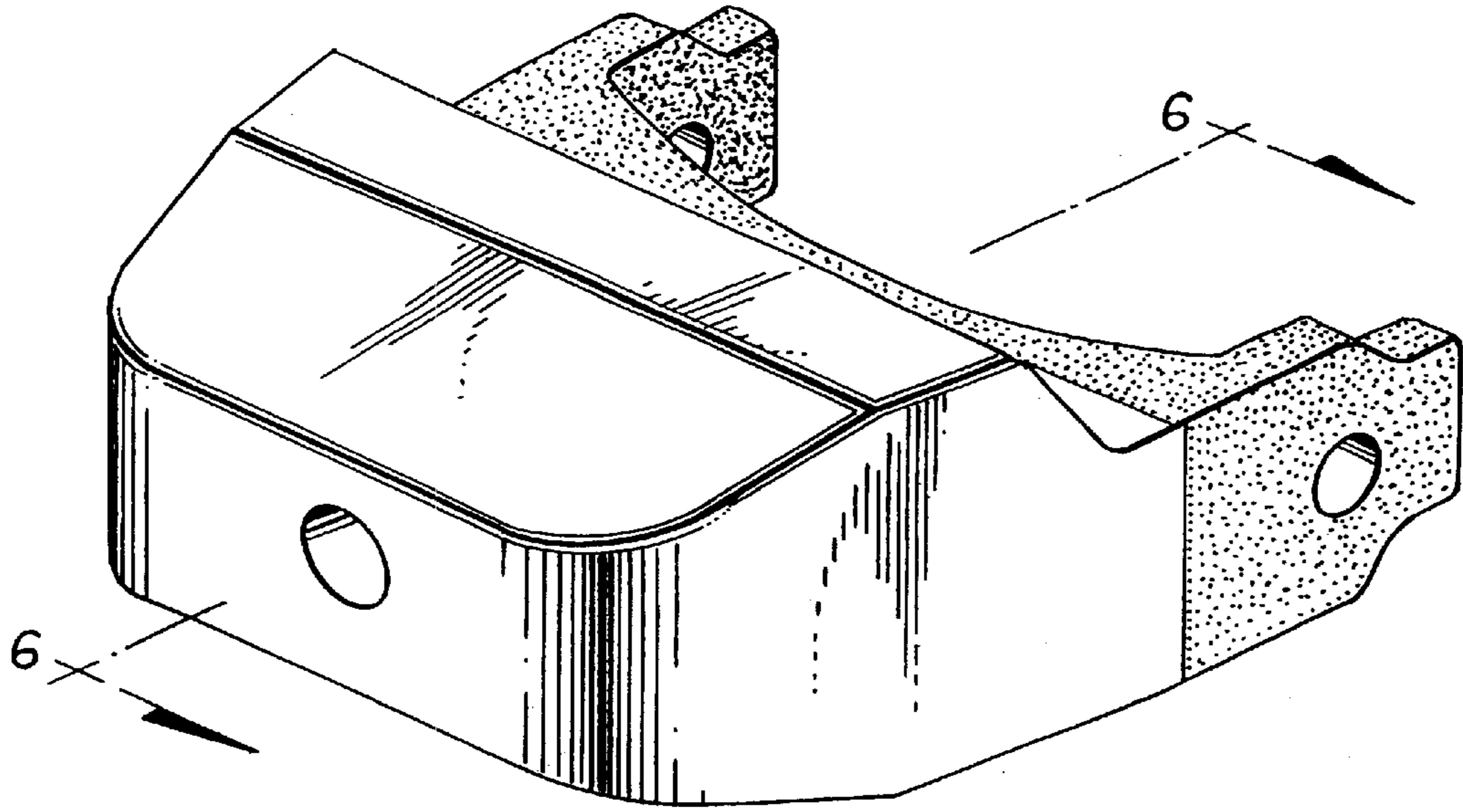


Fig. 1

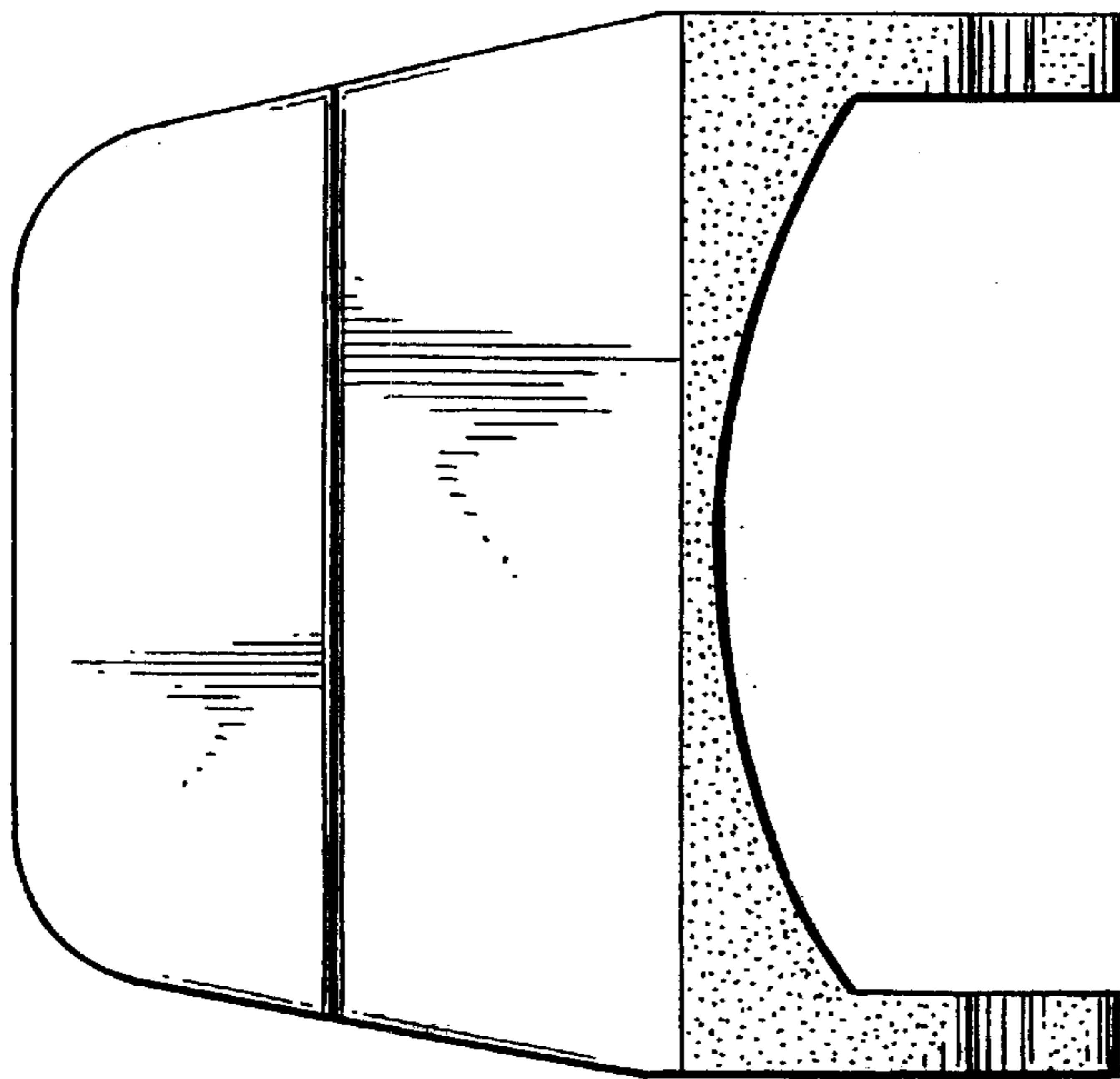


Fig. 2

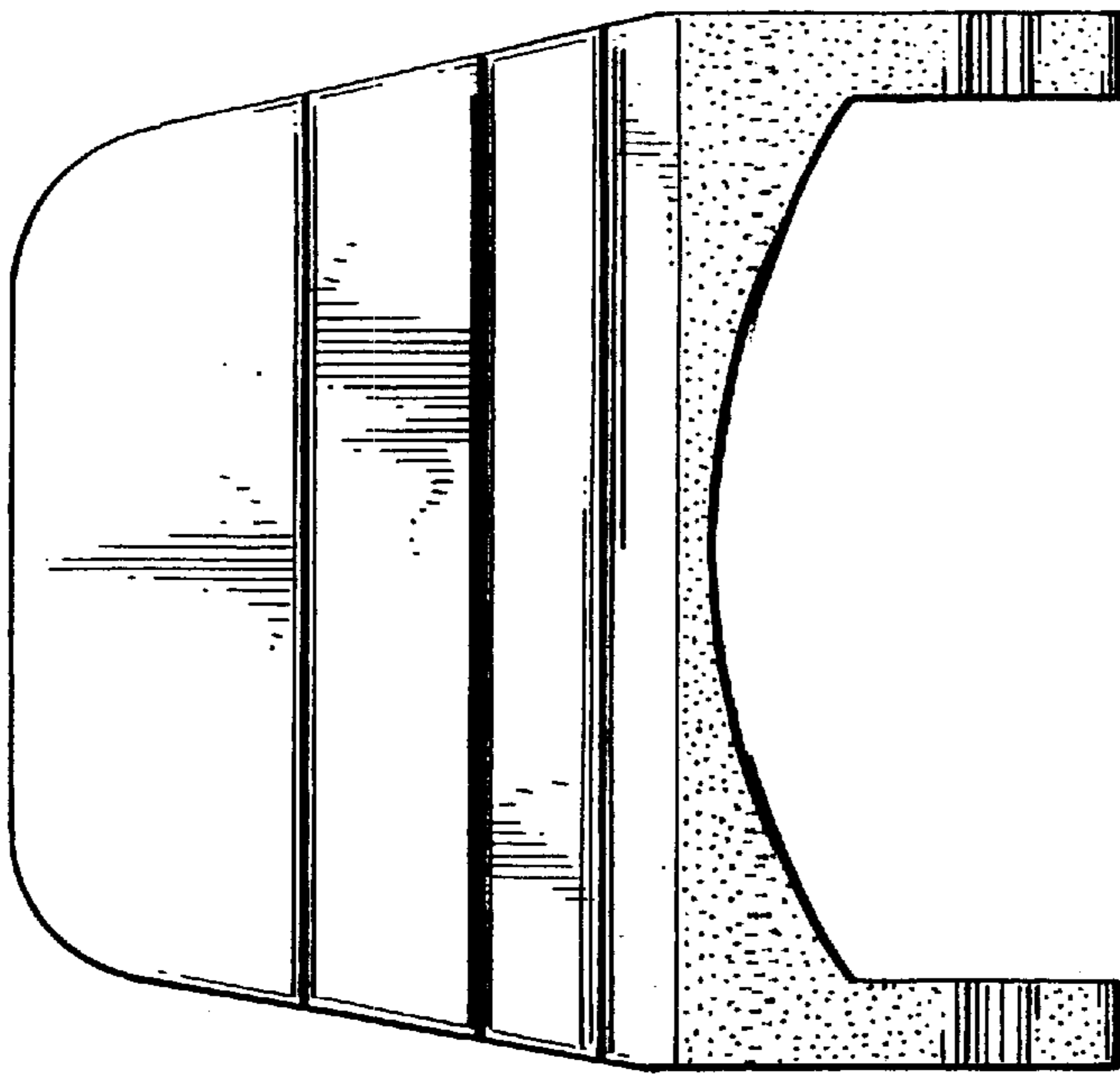


Fig. 3

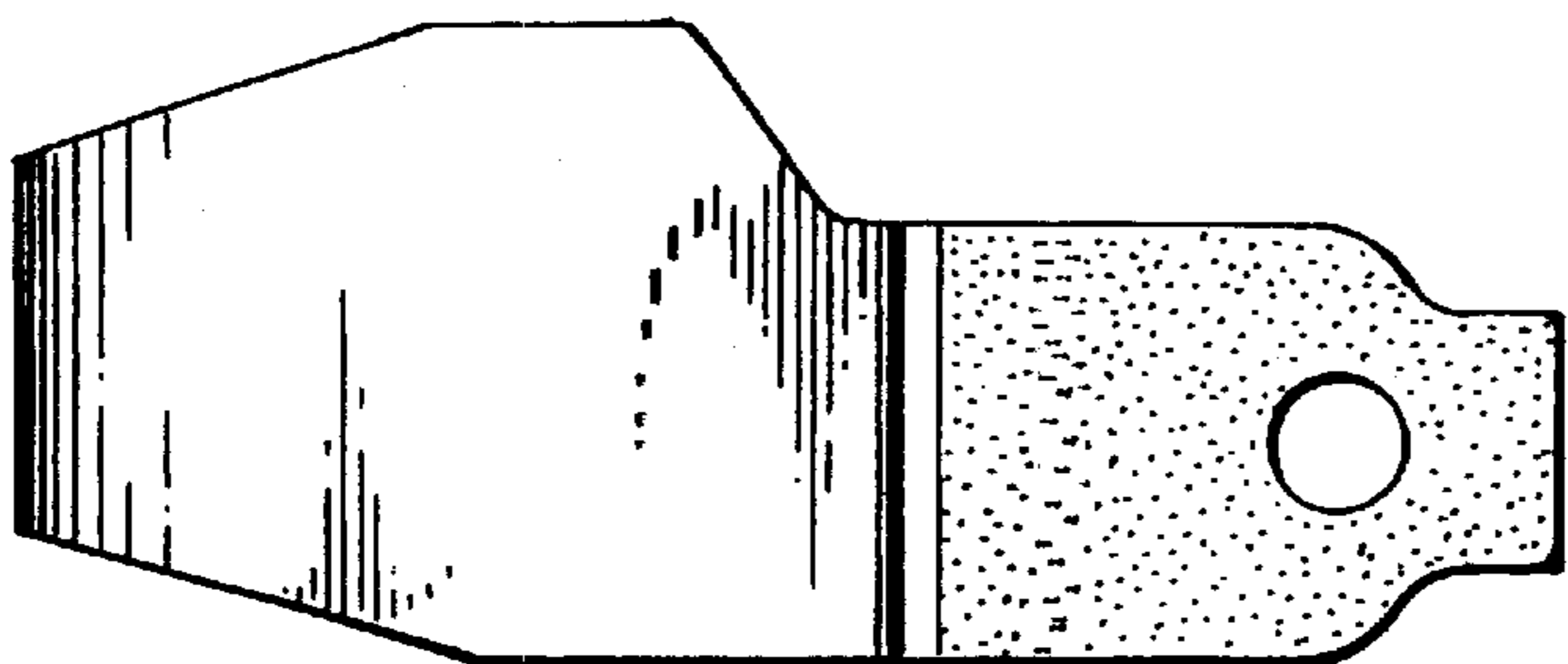


Fig. 4

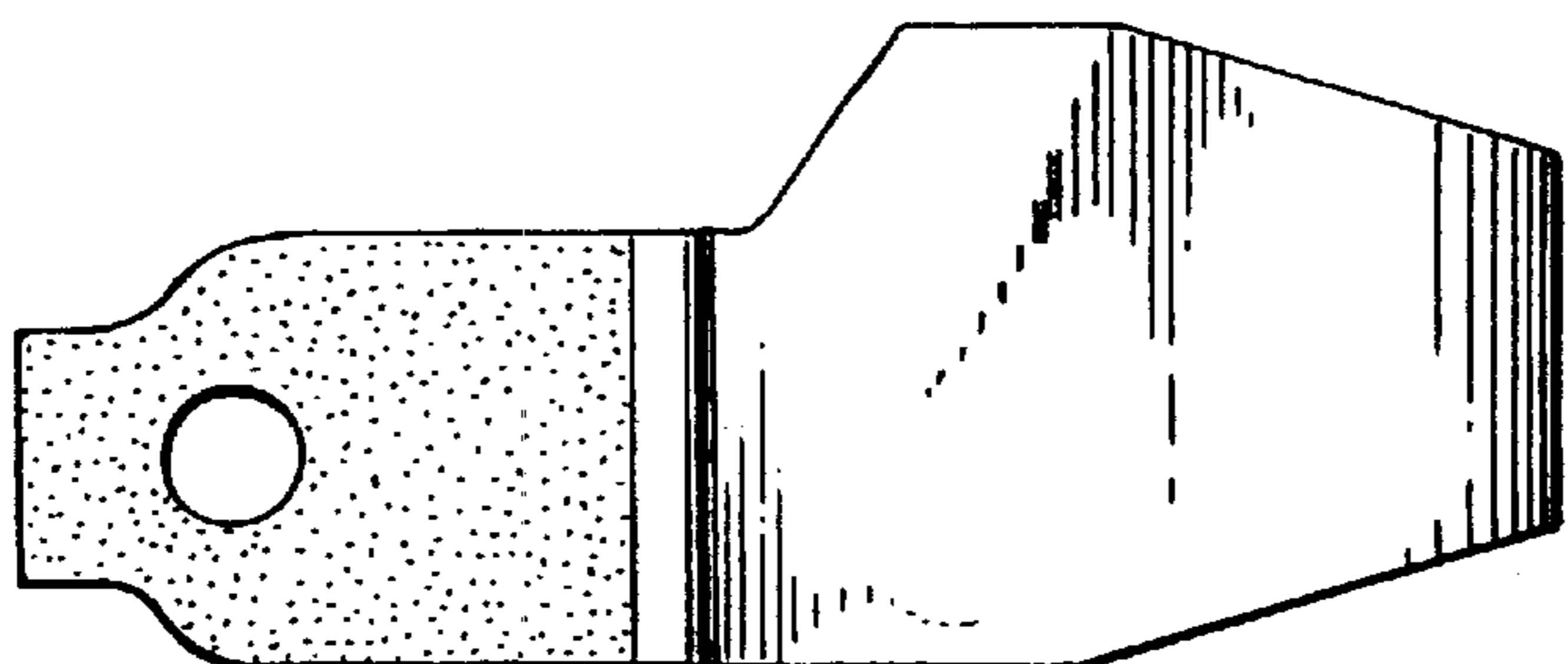


Fig. 5

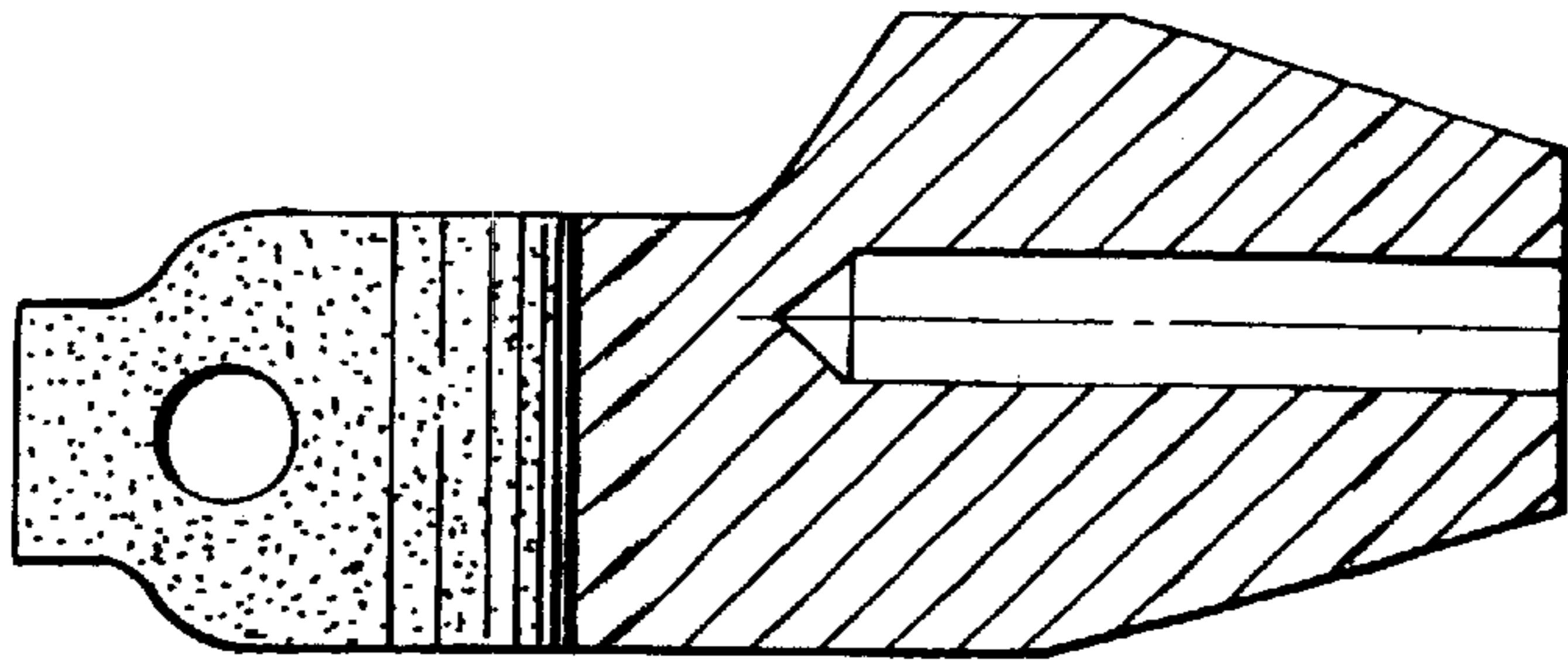


Fig. 6

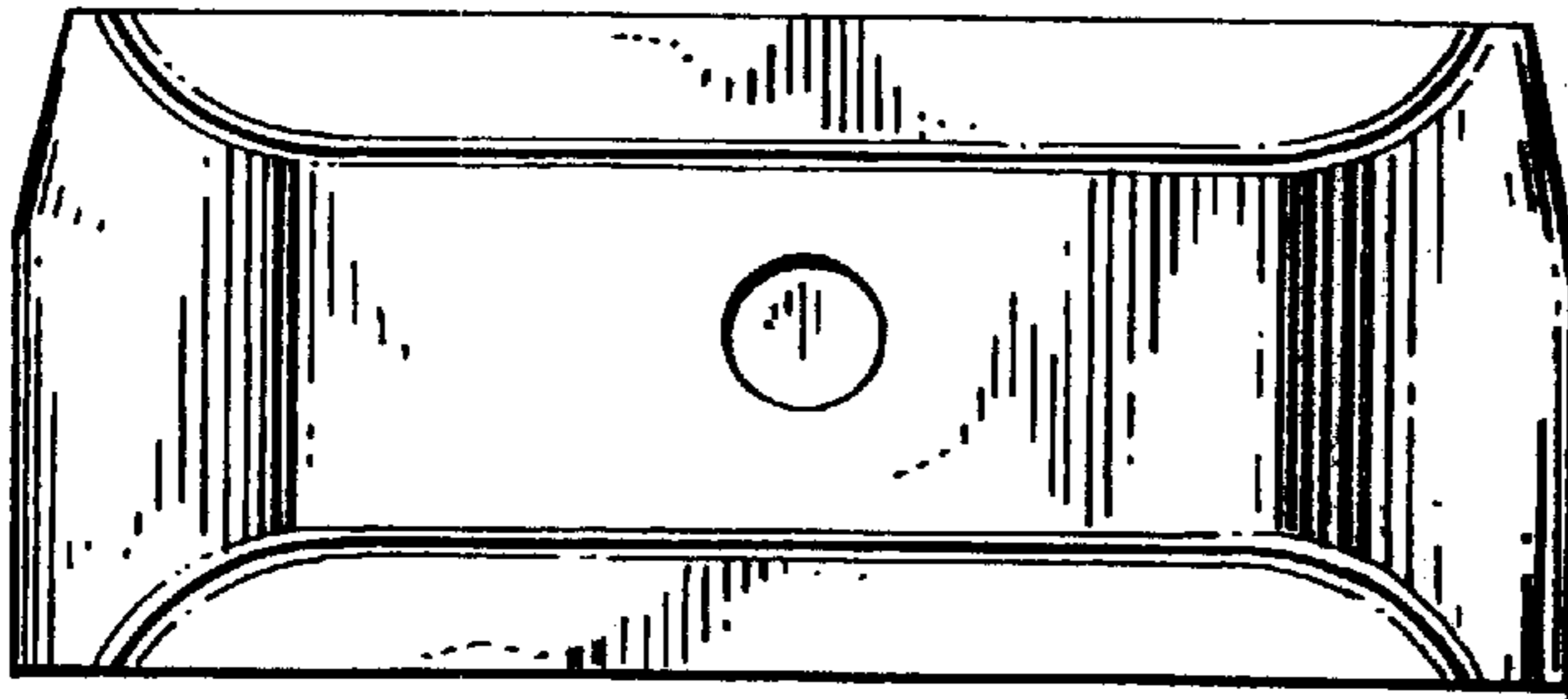


Fig. 7

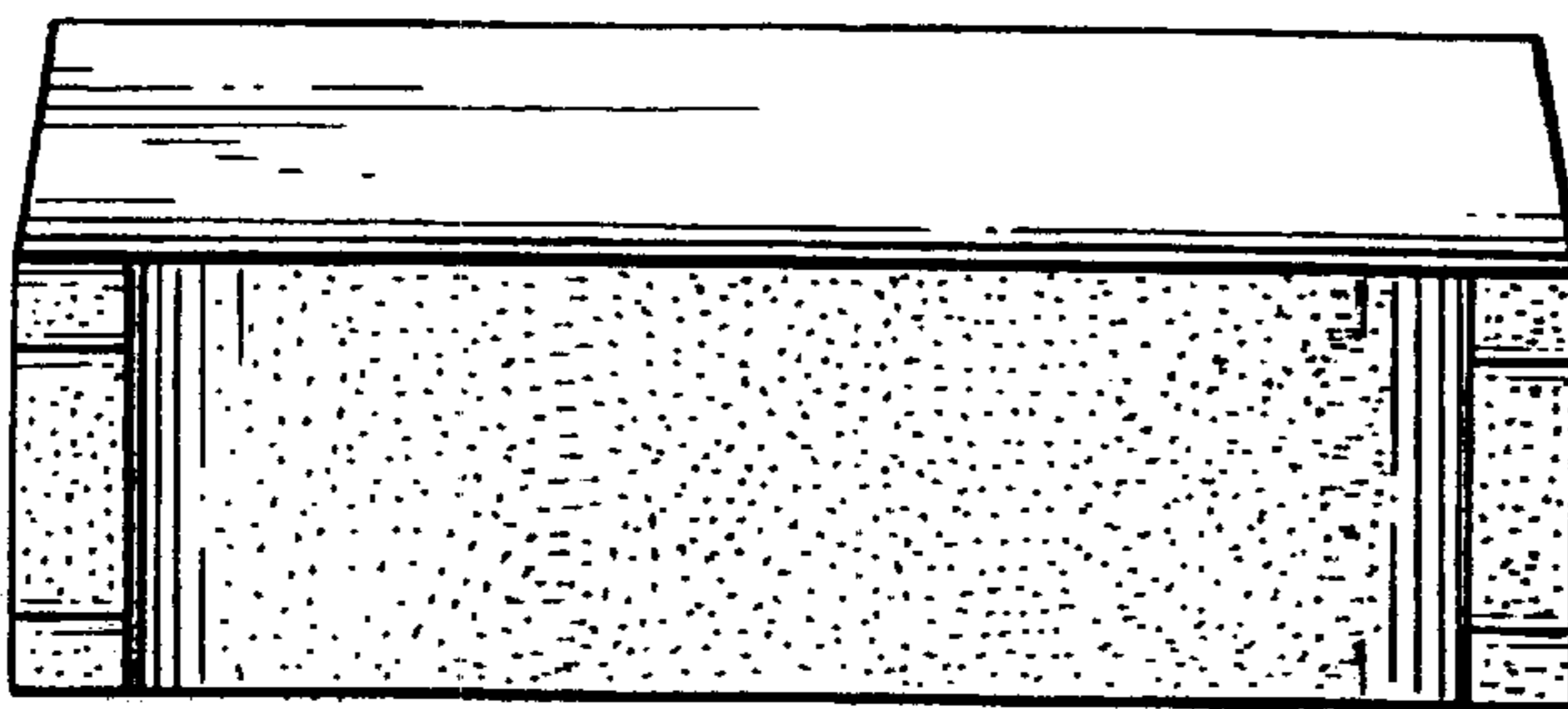


Fig. 8