



US00D458612S

(12) **United States Design Patent**
Scott et al.

(10) **Patent No.:** **US D458,612 S**

(45) **Date of Patent:** **** Jun. 11, 2002**

(54) **HOUSING FOR A ROTARY LAWNMOWER**

D231,384 S * 4/1974 Pontious D15/14
D384,083 S * 9/1997 Hinklin D15/14
D449,840 S * 10/2001 Concari D15/14

(75) Inventors: **Paul L. Scott**, Brentwood; **Robert C. Bontrager**, Nashville; **Donald W. Payne**, Spring Hill; **Richard J. Pitman**, Nashville, all of TN (US)

* cited by examiner

Primary Examiner—Mitchell Siegel

(74) *Attorney, Agent, or Firm*—Kevin E. Joyce

(73) Assignee: **Murray, Inc.**, Brentwood, TN (US)

(57) **CLAIM**

(**) Term: **14 Years**

The ornamental design for a housing for a rotary lawn-mower, as shown and described.

(21) Appl. No.: **29/146,683**

DESCRIPTION

(22) Filed: **Aug. 14, 2001**

(51) **LOC (7) Cl.** **15-03**

FIG. 1 is a left front perspective view of a housing for a rotary lawn-mower showing our new design; FIG. 2 is a front perspective view thereof; FIG. 3 is a rear perspective view thereof; FIG. 4 is a right side perspective view thereof; and, FIG. 5 is a left side perspective view thereof.

(52) **U.S. Cl.** **D15/14; D15/17**

(58) **Field of Search** D15/14; 56/10.2 R, 56/11.9, 12.2, 13.4, 13.7, 16.6, 202, 256, 294, 295, 320.1, 12.7

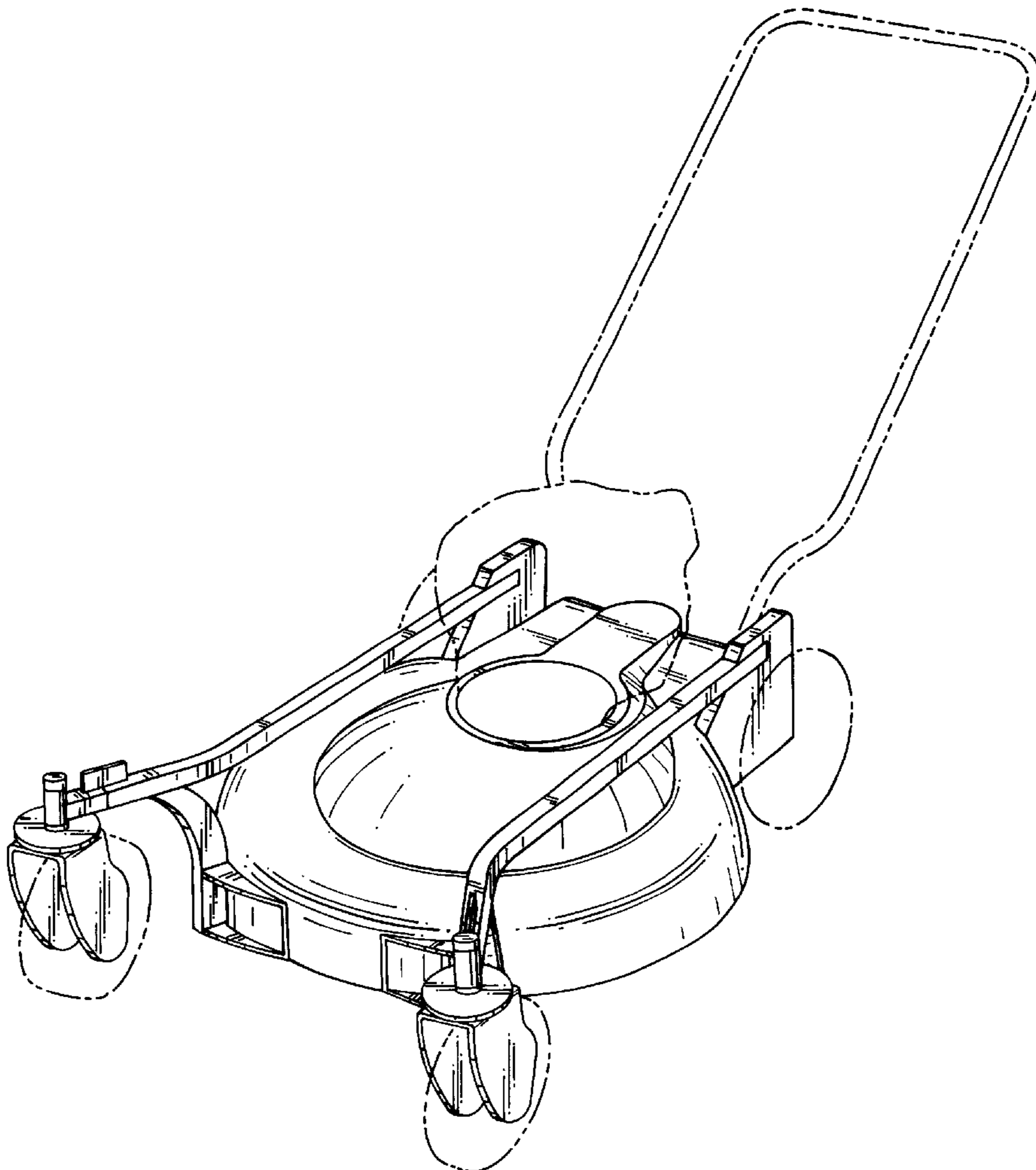
The broken line showings of wheels, an engine and a handle, with which the housing may be associated, are for illustrative purposes only and form no part of the invention.

(56) **References Cited**

U.S. PATENT DOCUMENTS

D177,553 S * 5/1956 Cataline et al. D15/14

1 Claim, 5 Drawing Sheets



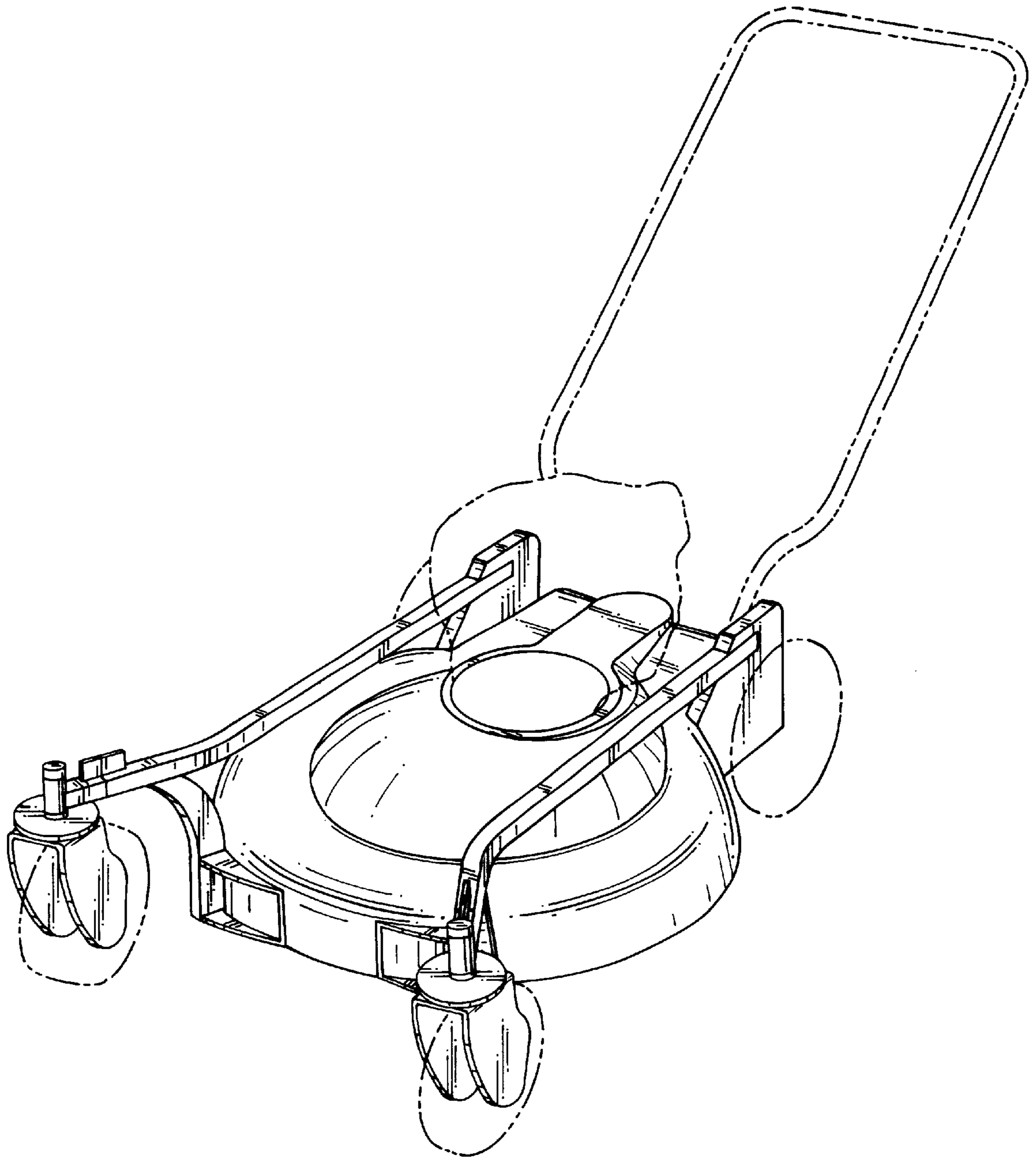


FIG. 1

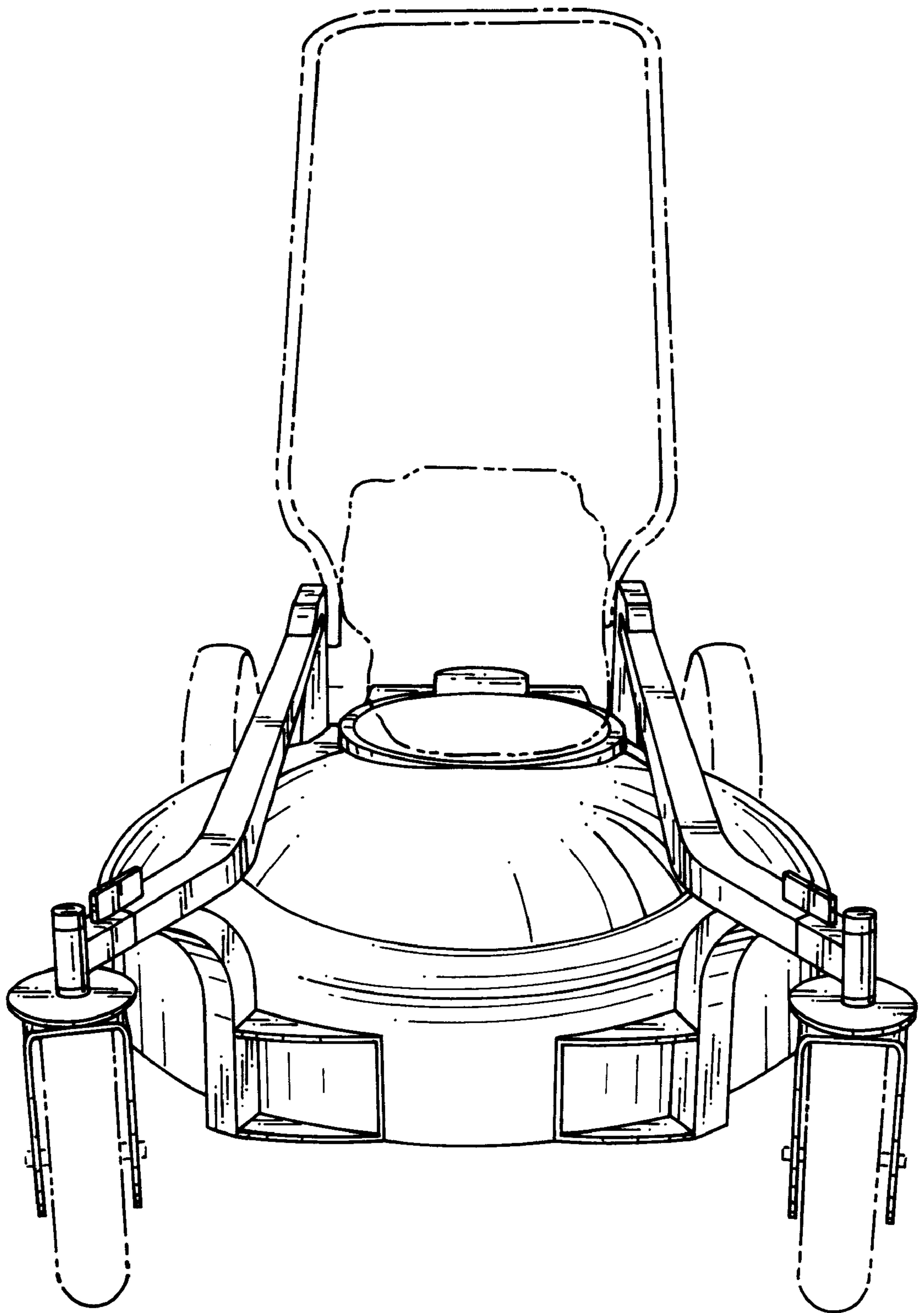


FIG. 2

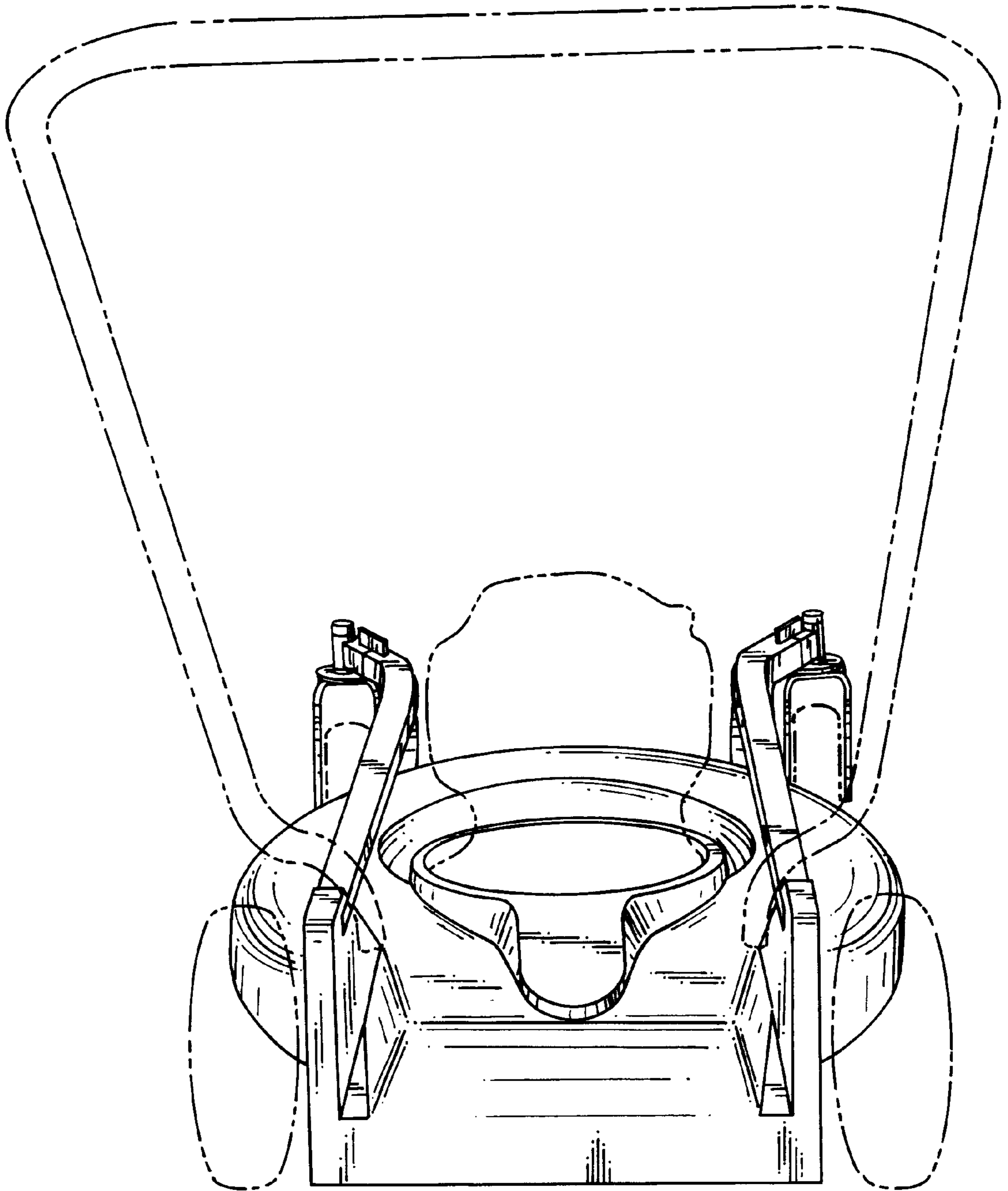


FIG. 3

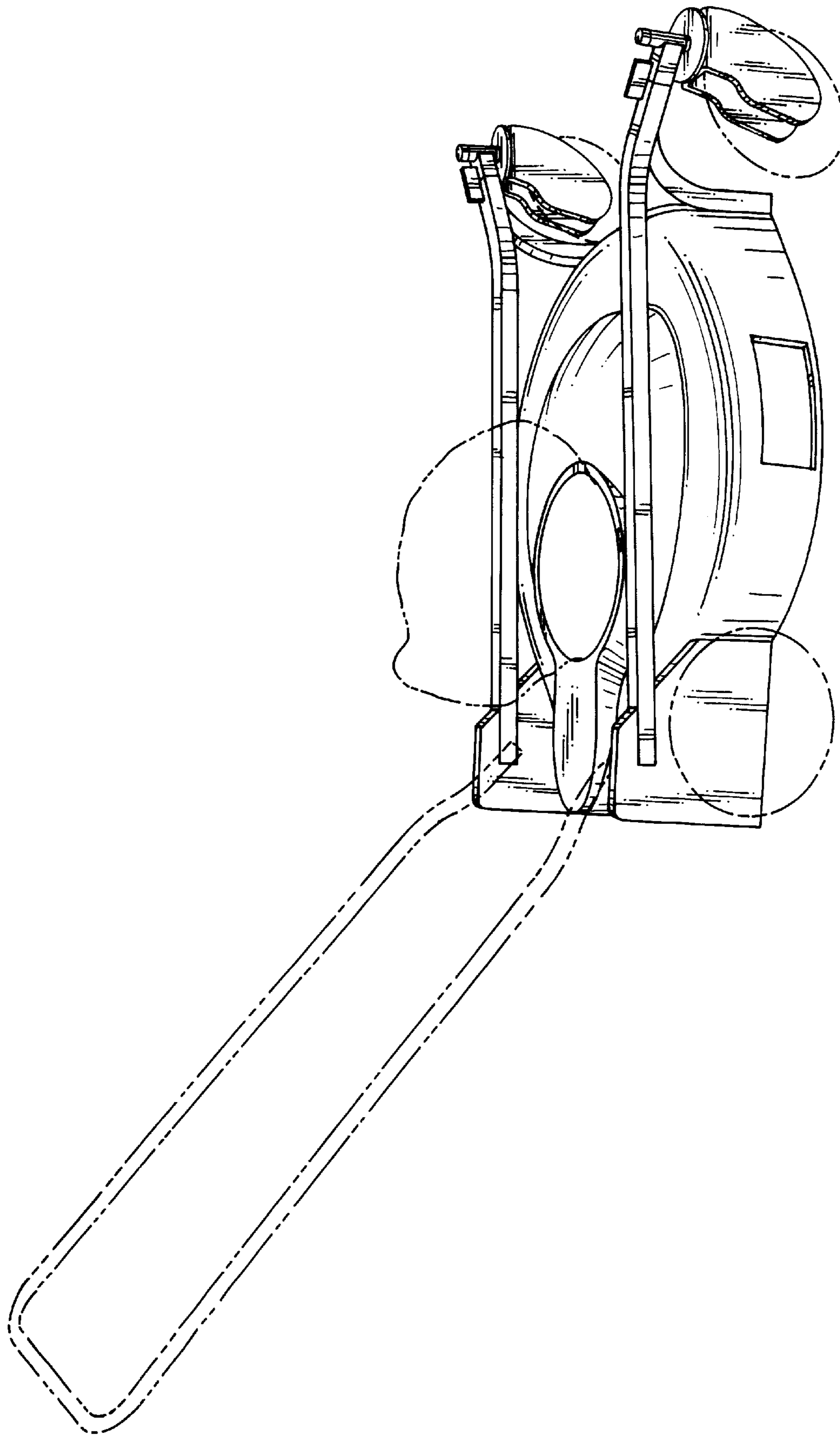


FIG. 4

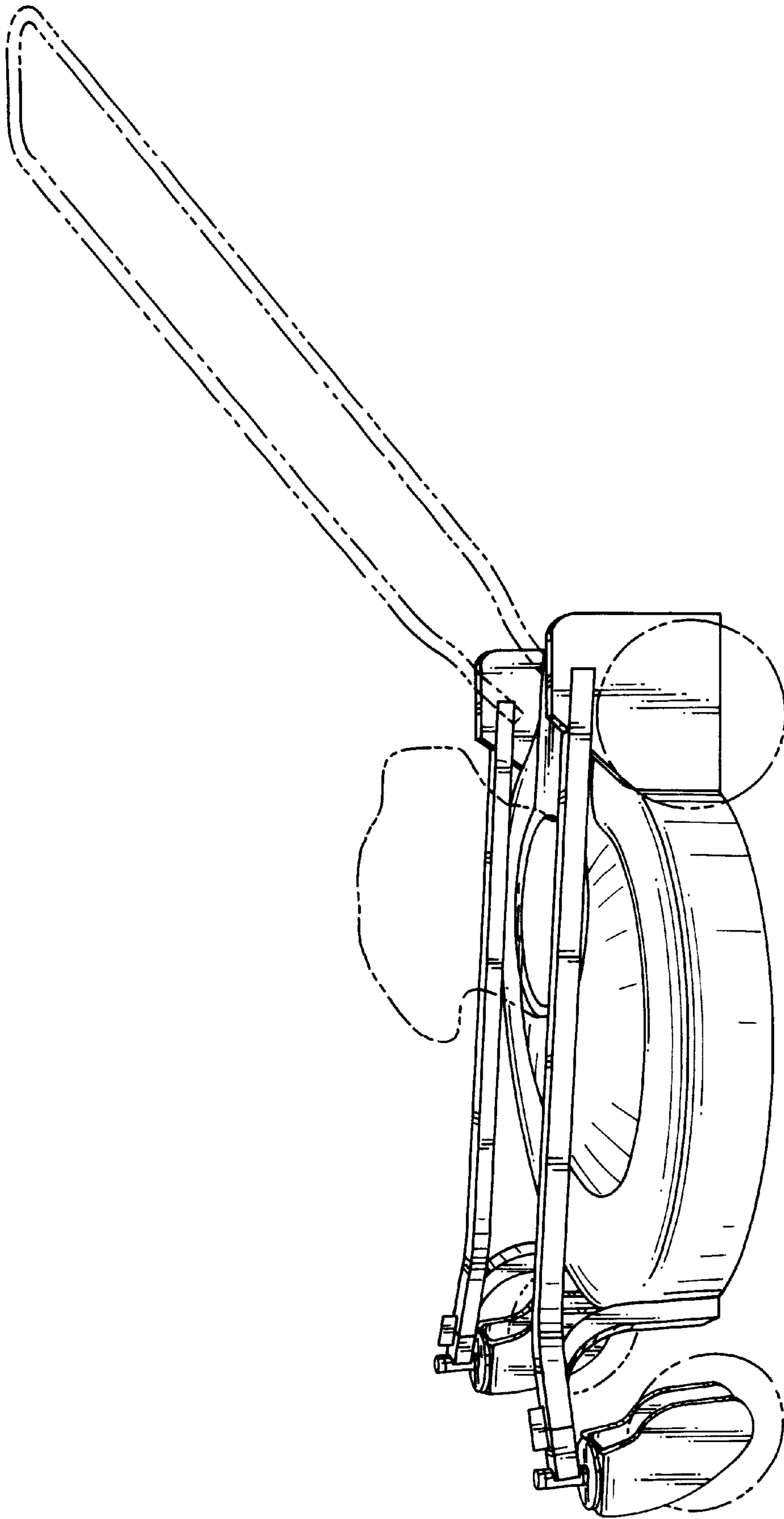


FIG. 5