



US00D458611S

(12) **United States Design Patent**  
**Gallo**

(10) **Patent No.:** **US D458,611 S**

(45) **Date of Patent:** **\*\* Jun. 11, 2002**

(54) **VIRTUAL THREE-DIMENSIONAL USER INTERFACE IN A DISPLAY**

D395,296 S \* 6/1998 Kaye et al.  
D397,101 S \* 8/1998 Bier  
D403,673 S \* 1/1999 Arora et al.  
6,005,579 A 12/1999 Sugiyama et al. .... 345/355

(75) Inventor: **Anthony Carmen Gallo**, Toronto (CA)

\* cited by examiner

(73) Assignee: **Vizable.com Inc.**, Toronto (CA)

*Primary Examiner*—M. H. Tung  
(74) *Attorney, Agent, or Firm*—Bereskin & Parr

(\*\*) Term: **14 Years**

(21) Appl. No.: **29/125,863**

(57) **CLAIM**

(22) Filed: **Jul. 3, 2000**

The ornamental Design for a virtual three-dimensional user interface in a display, as shown and described.

(51) **LOC (7) Cl.** ..... **14-02**

(52) **U.S. Cl.** ..... **D14/485**

(58) **Field of Search** ..... D14/485-95; D18/24-33;  
D19/6; D20/11; D21/324-33; 345/326,  
339-58

**DESCRIPTION**

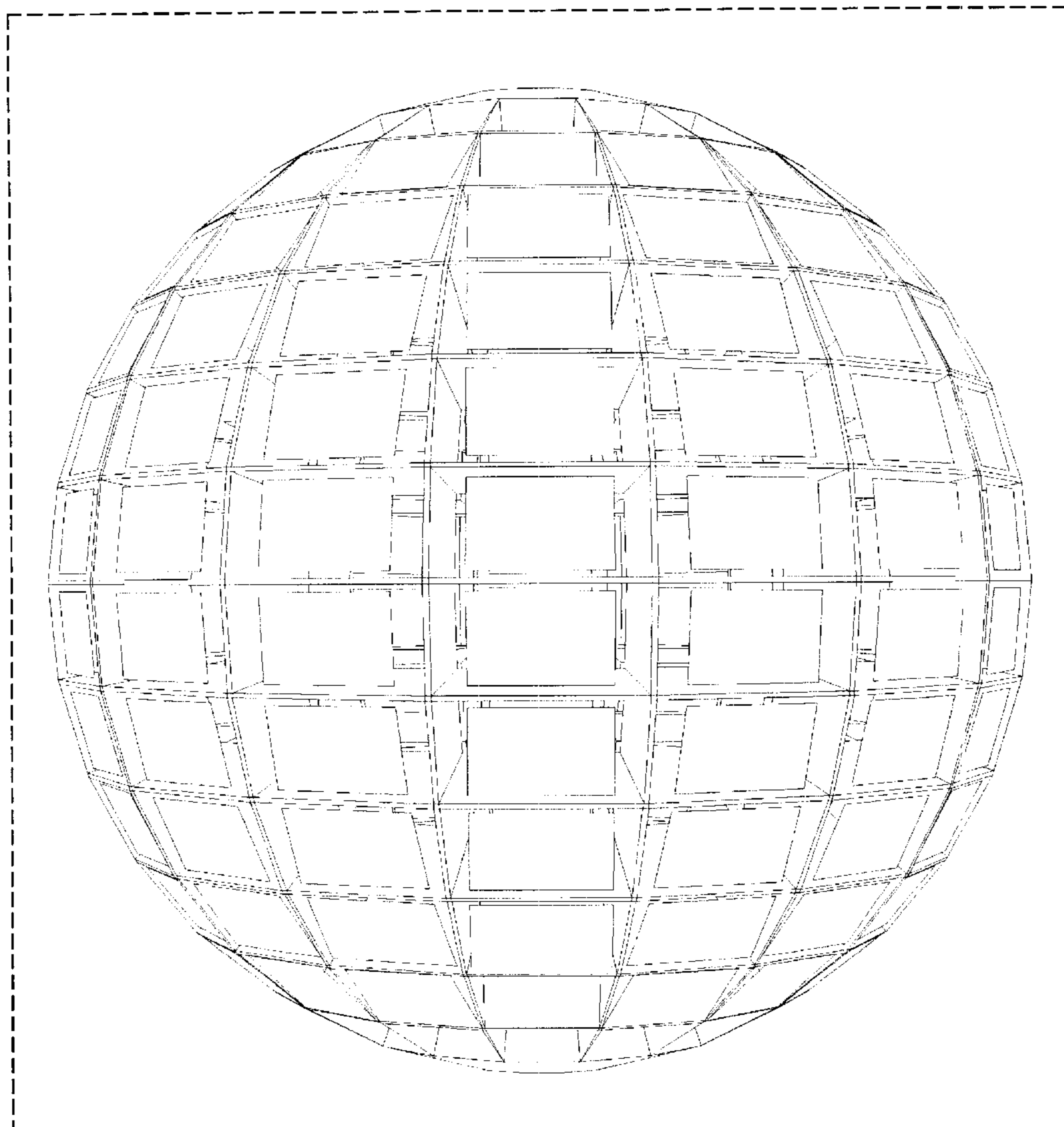
FIG. 1 is a front view of a virtual three-dimensional user interface in a display, the rear and side views are identical; FIG. 2 is a top, front perspective view thereof, the top, rear perspective and the top, side perspective views are identical; and, FIG. 3 is a top view thereof, the bottom view is identical. The broken line drawing of a display in all views is for illustrative purposes only and forms no part of the claimed design.

(56) **References Cited**

**U.S. PATENT DOCUMENTS**

5,485,197 A 1/1996 Hoarty ..... 348/7  
5,515,486 A 5/1996 Amro et al. .... 395/137  
5,678,015 A 10/1997 Goh ..... 395/355  
D386,749 S \* 11/1997 Sakazume  
D393,634 S \* 4/1998 Stuckey

**1 Claim, 3 Drawing Sheets**



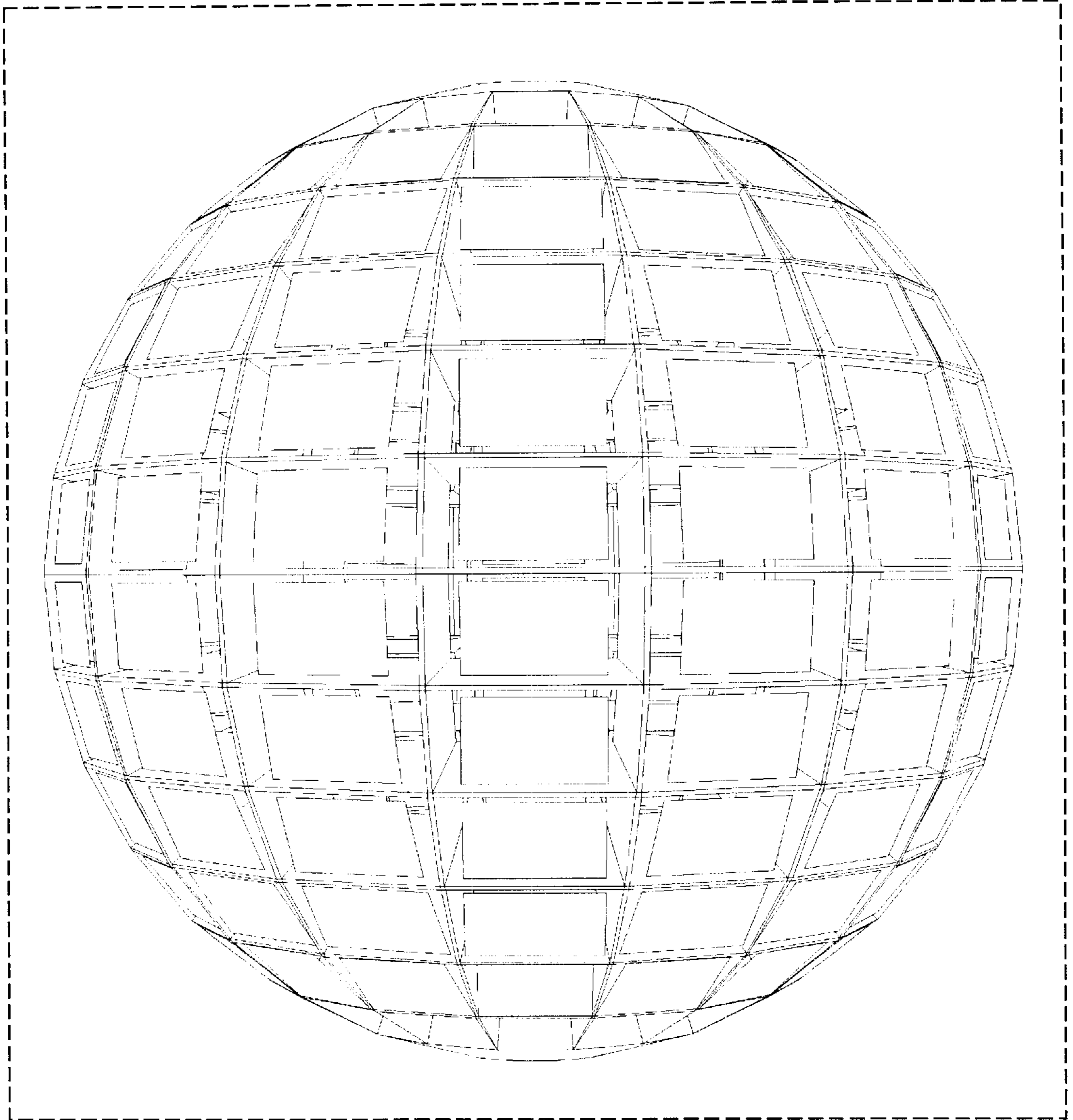


FIG. 1

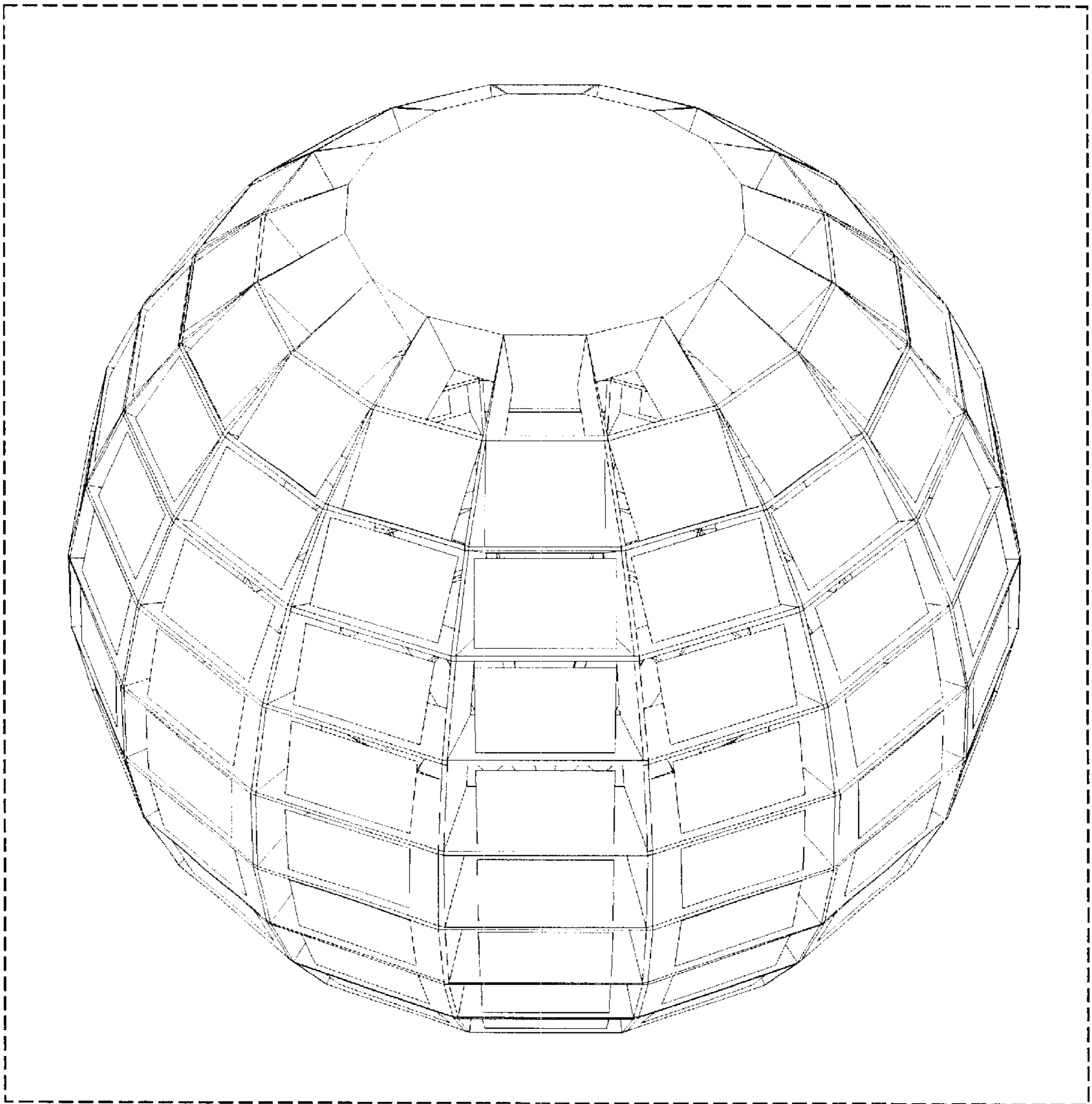


FIG. 2

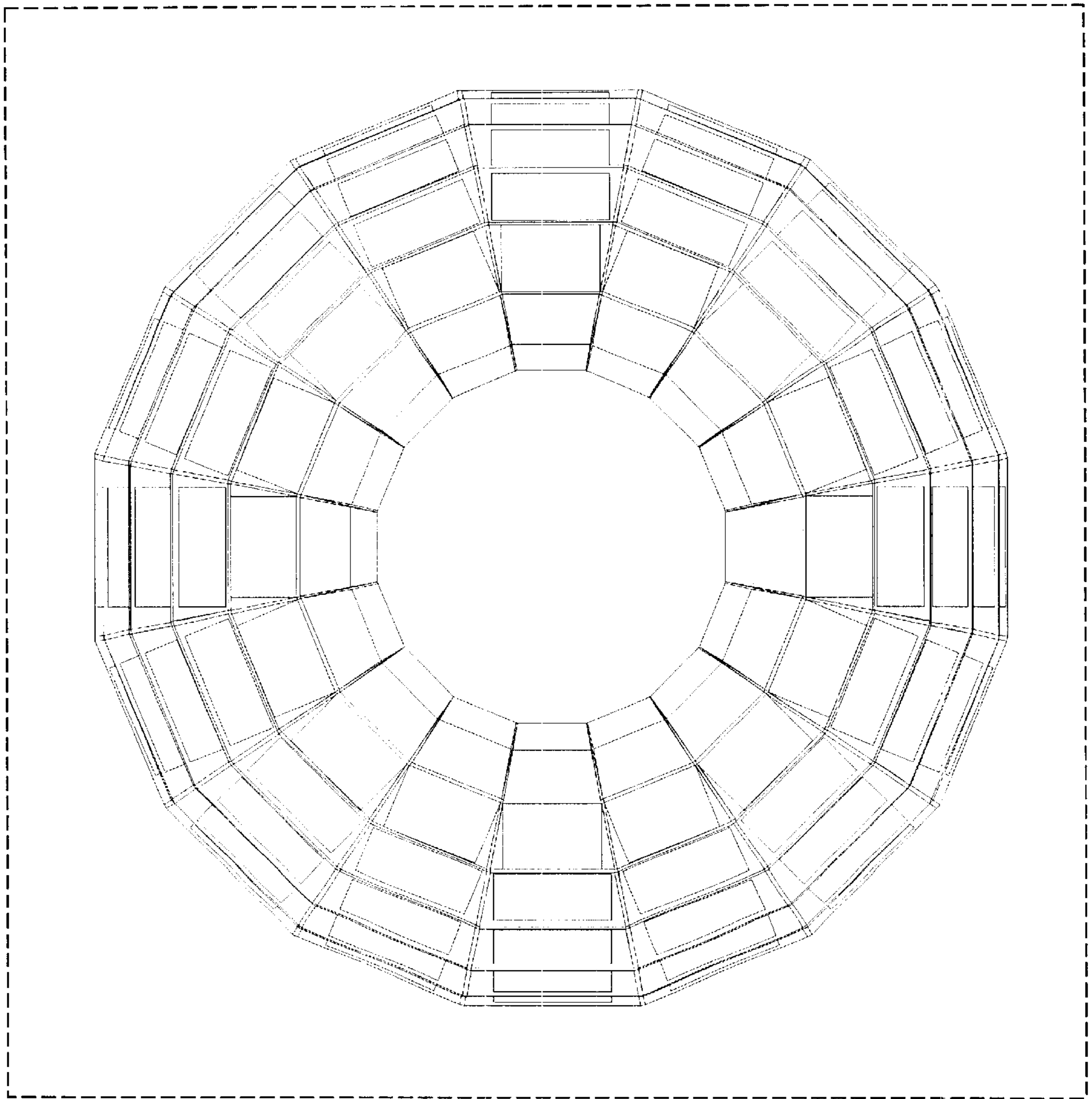


FIG. 3