



US00D458609S

(12) **United States Design Patent**
Searby

(10) **Patent No.:**

US D458,609 S

(45) **Date of Patent:**

**** Jun. 11, 2002**

(54) **COMPUTER WORKSTATION FRONT END PORTION**

Primary Examiner—Freda Nunn

(75) Inventor: **Tom J Searby**, Fort Collins, CO (US)

(57) **CLAIM**

(73) Assignee: **Hewlett-Packard Company**, Palo Alto, CA (US)

The ornamental design for a computer workstation front end portion, as shown and described.

(**) Term: **14 Years**

DESCRIPTION

(21) Appl. No.: **29/141,683**

The present application is related to Applicant's U.S. patent application Ser. No. 29/141,640, for Computer Work Station, filed on the same date as the present application and which is hereby incorporated by reference for all that it discloses.

(22) Filed: **May 9, 2001**

(51) **LOC (7) Cl.** **14-02**

(52) **U.S. Cl.** **D14/444**

(58) **Field of Search** D14/441-446;
D13/162, 184, 164, 177, 199; 312/223.2;
361/680-686

FIG. 1 is an isometric view of a computer workstation front end portion;

FIG. 2 is an front elevation view thereof;

FIG. 3 is a rear elevation view thereof;

FIG. 4 is a left side elevation view thereof;

FIG. 5 is a right side elevation view thereof;

FIG. 6 is a top plan view thereof; and,

FIG. 7 is a bottom plan view thereof.

The broken lines are shown in the views for illustrative purposes only and form no part of the claimed design.

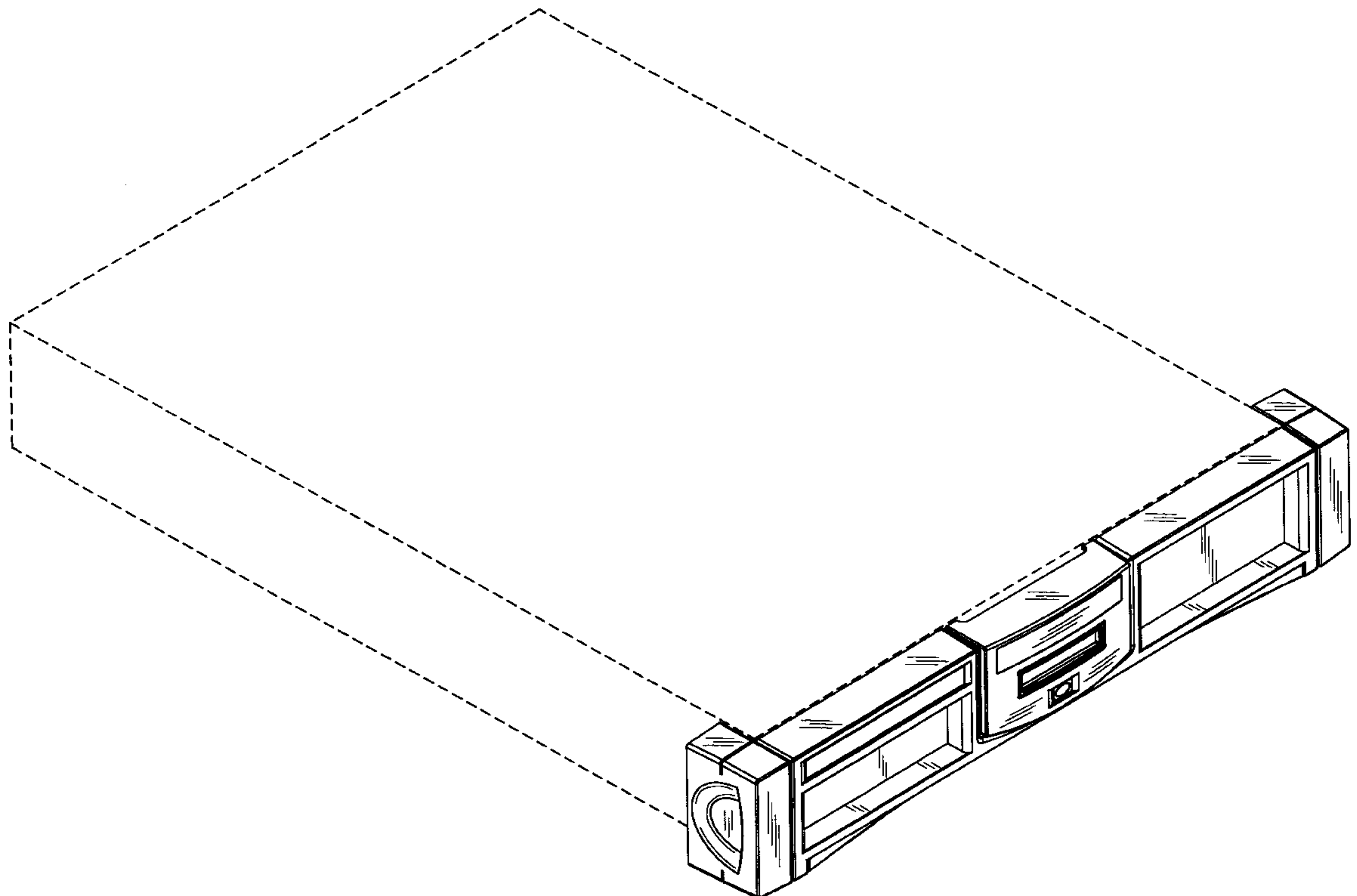
(56) **References Cited**

U.S. PATENT DOCUMENTS

- D407,078 S * 3/1999 Fu D14/446
- D411,991 S * 7/1999 Khuu D14/442
- D429,730 S * 8/2000 Jean et al. D14/441

* cited by examiner

1 Claim, 5 Drawing Sheets



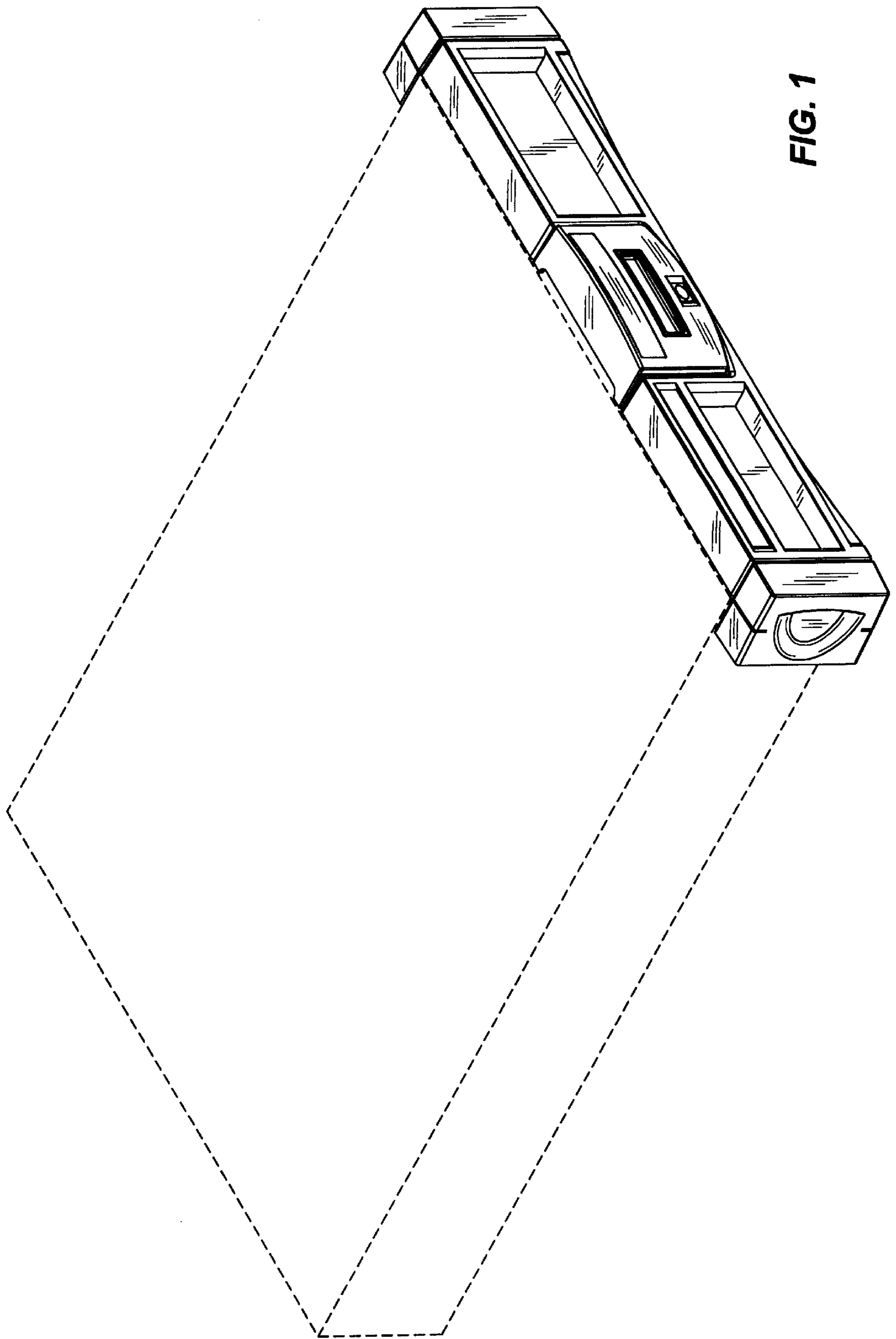


FIG. 1

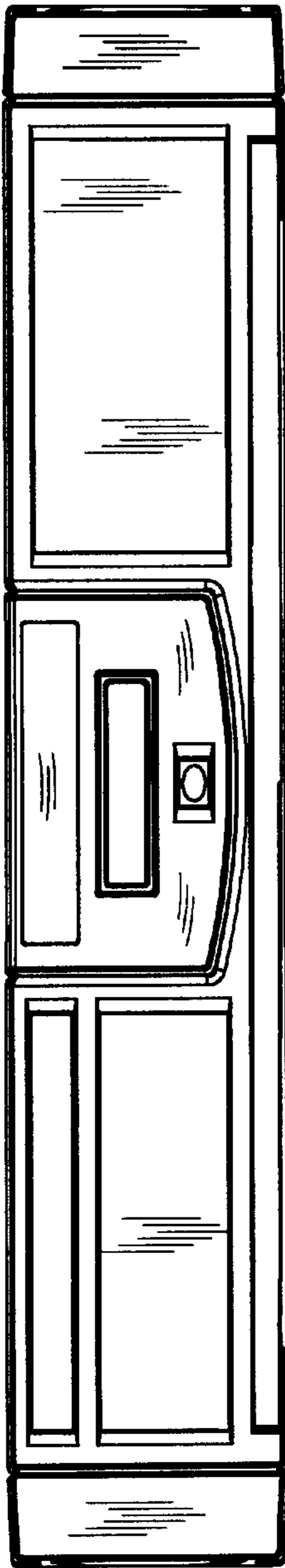


FIG. 2

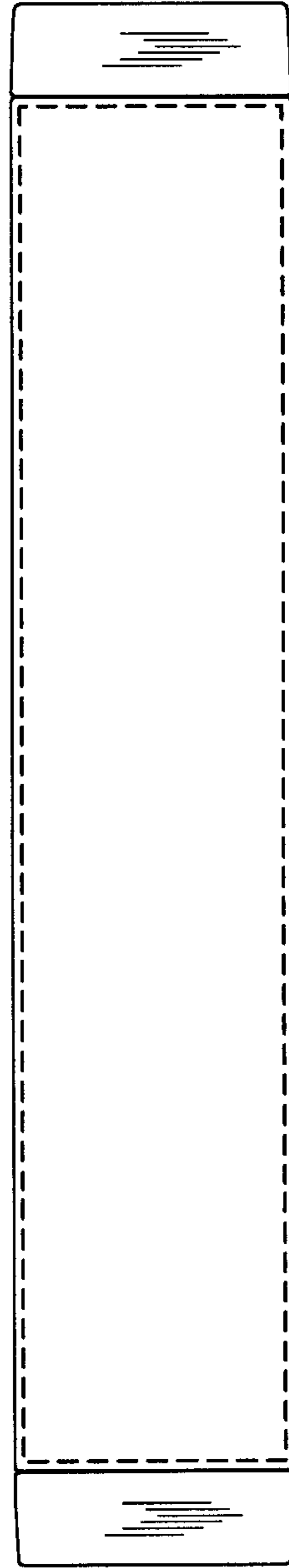


FIG. 3

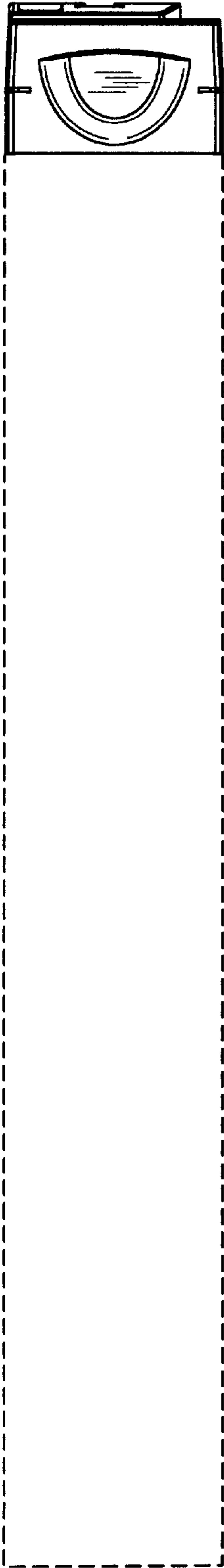


FIG. 4

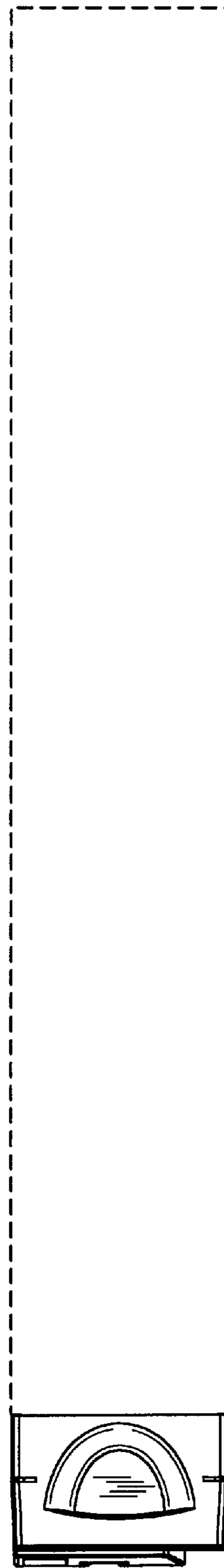


FIG. 5

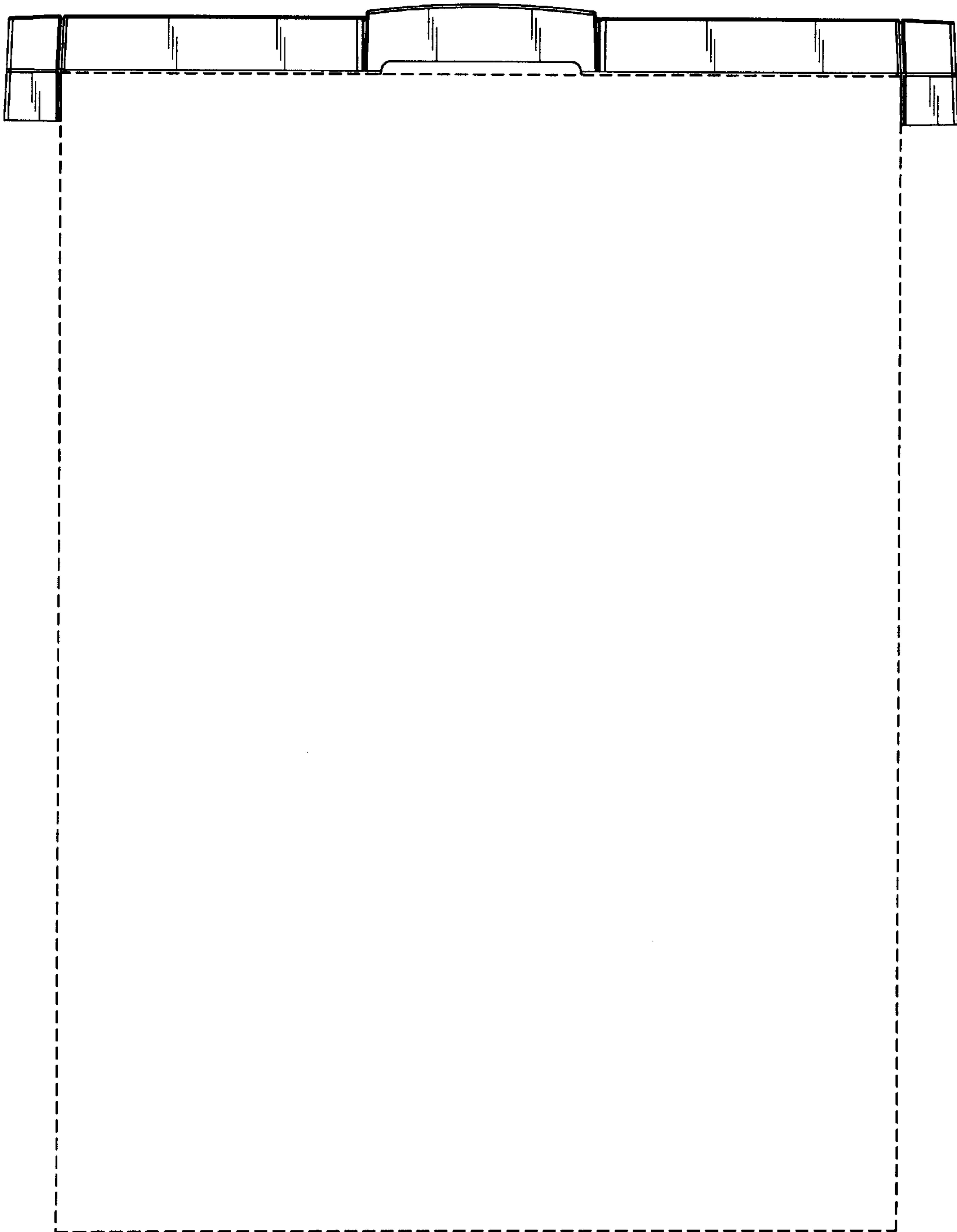


FIG. 6

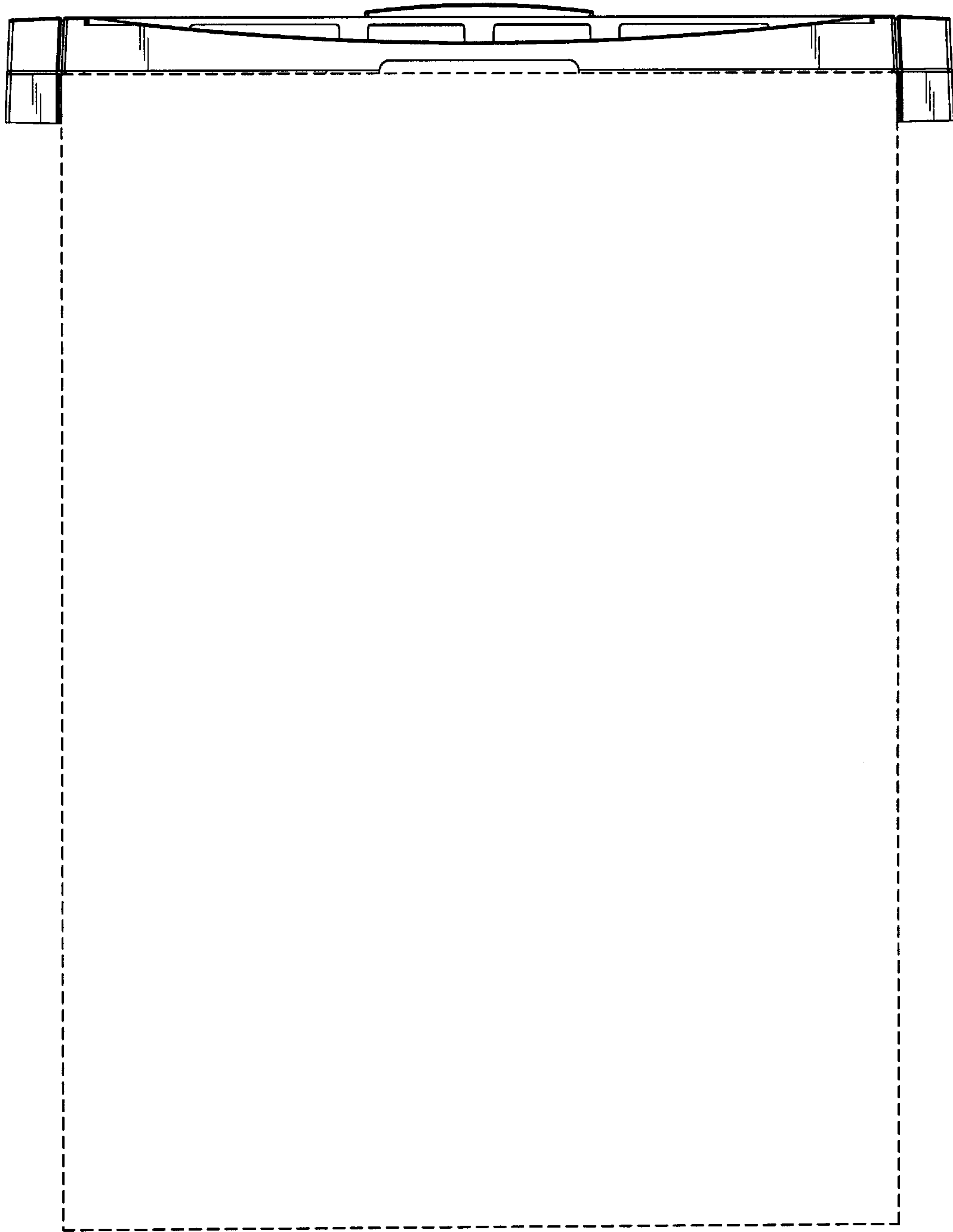


FIG. 7