



US00D458602S

(12) **United States Design Patent**
Hasegawa et al.

(10) **Patent No.:** **US D458,602 S**

(45) **Date of Patent:** **** Jun. 11, 2002**

(54) **COMPUTER DISPLAY**

(75) Inventors: **Kenichi Hasegawa; Masami Uehara; Ipppei Matsumoto**, all of Tokyo (JP)

(73) Assignee: **NEC Mitsubishi Electric Visual Systems**, Tokyo (JP)

(**) Term: **14 Years**

(21) Appl. No.: **29/140,896**

(22) Filed: **Apr. 27, 2001**

(30) **Foreign Application Priority Data**

Oct. 27, 2000 (JP) 2000-030802

(51) **LOC (7) Cl.** **14-02**

(52) **U.S. Cl.** **D14/374**

(58) **Field of Search** D14/371, 374, D14/125-129; D20/10; 345/104, 156, 168, 173; 348/180, 184, 325, 739; 341/12; 349/1, 2, 11, 62; 248/917-924

(56) **References Cited**

U.S. PATENT DOCUMENTS

D306,158 S * 2/1990 Ashihara D14/374
D339,574 S * 9/1993 Althans et al. D14/374
D395,454 S * 6/1998 Hayashi D20/10

D396,222 S * 7/1998 Morgan et al. D14/374
D403,309 S * 12/1998 Takemasa et al. D14/374
D422,575 S * 4/2000 Tikhonski et al. D14/374
D424,068 S * 5/2000 Takemasa D14/374
D424,538 S * 5/2000 Hayashi et al. D14/374

* cited by examiner

Primary Examiner—Freda Nunn

(74) *Attorney, Agent, or Firm*—Sughrue Mion, PLLC

(57) **CLAIM**

The ornamental design for a computer display, as shown and described.

DESCRIPTION

FIG. 1 is a perspective view of a computer display.
FIG. 2 is a front elevation view thereof.
FIG. 3 is a top plan view thereof.
FIG. 4 is a bottom plan view thereof.
FIG. 5 is a rear elevation view thereof.
FIG. 6 is a left side elevation view thereof.
FIG. 7 is a right side elevation view thereof.
FIG. 8 is a front elevation view thereof indicating the part for the cross sectional view; and,
FIG. 9 is a cross-sectional view thereof taken along line 9—9 in FIG. 8, which omits the internal structure.

1 Claim, 9 Drawing Sheets

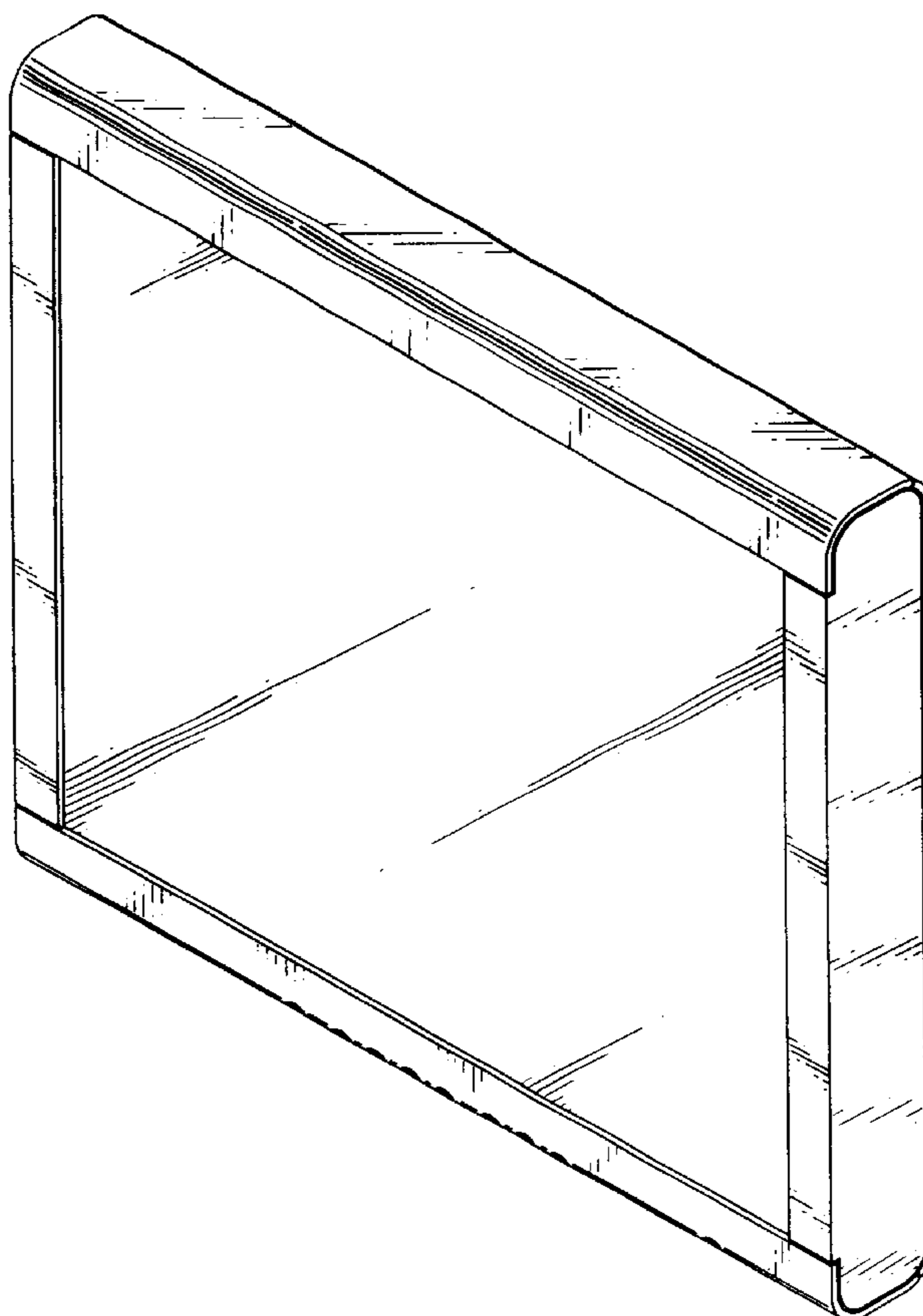


FIG. 1

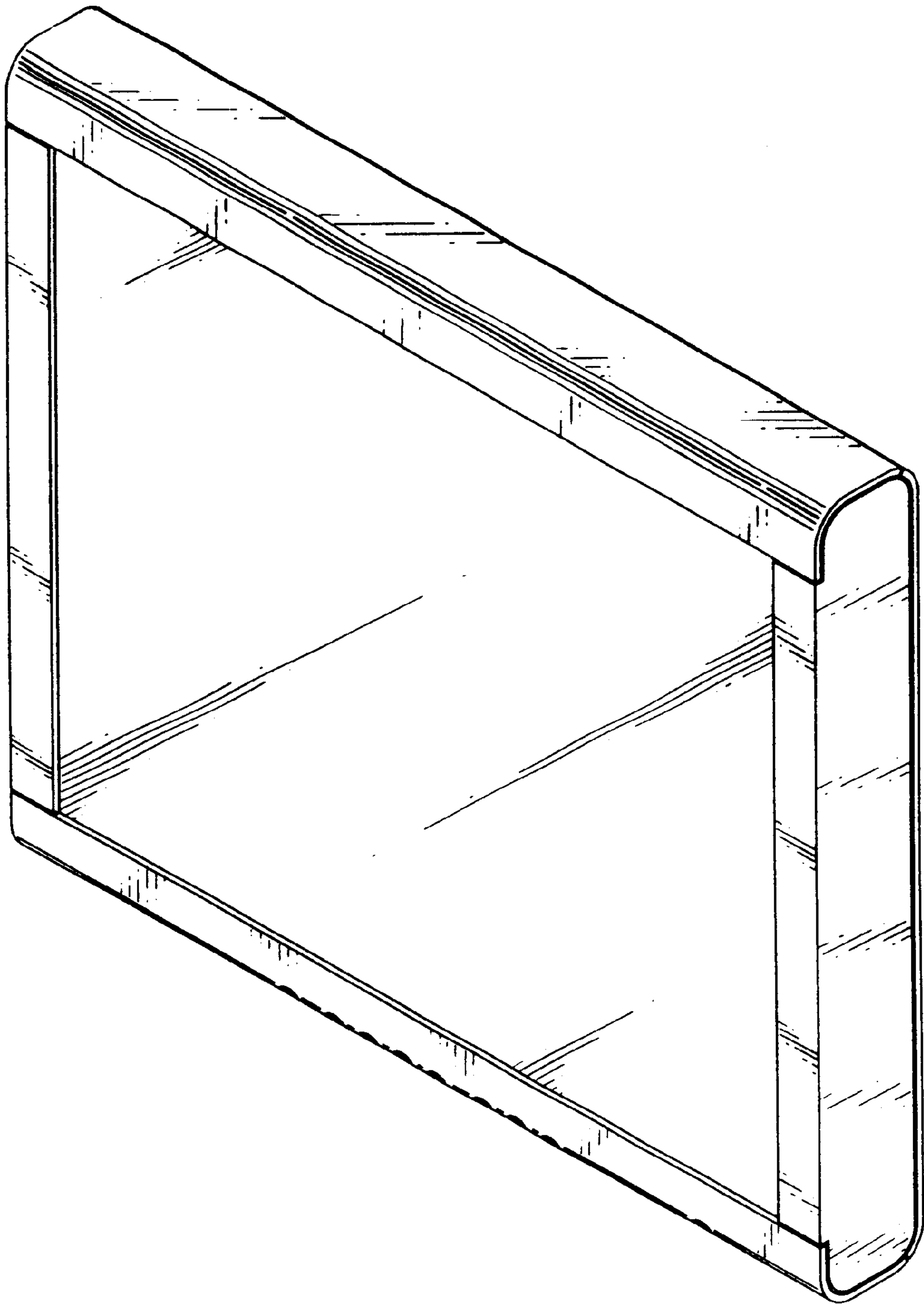


FIG. 2

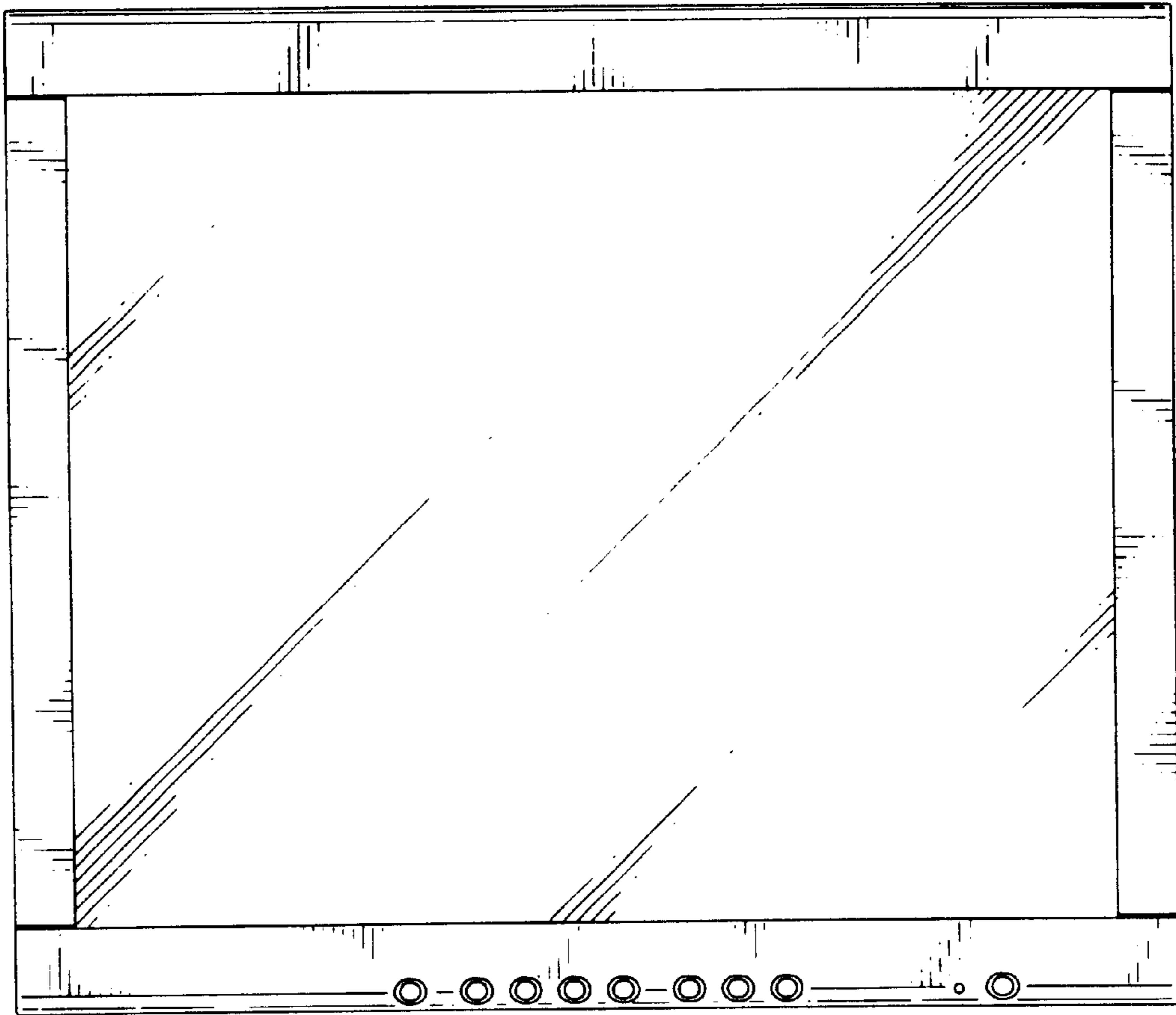


FIG. 3

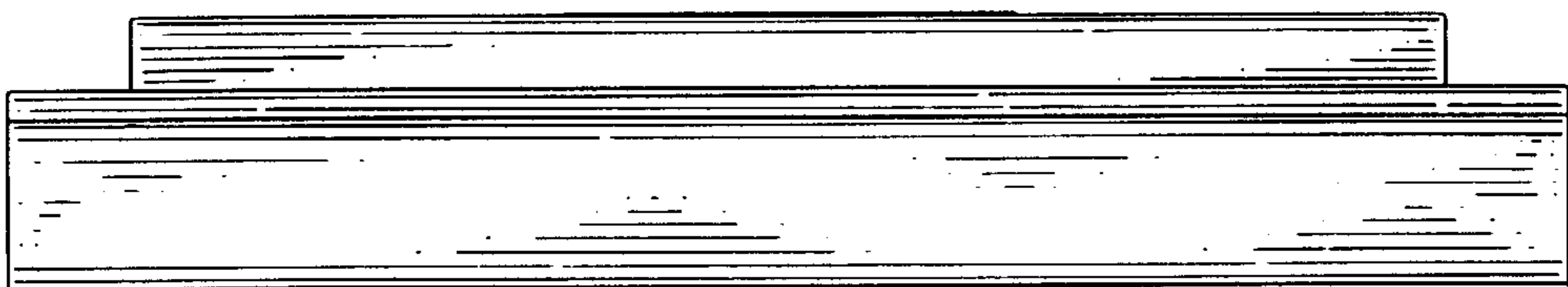


FIG. 4

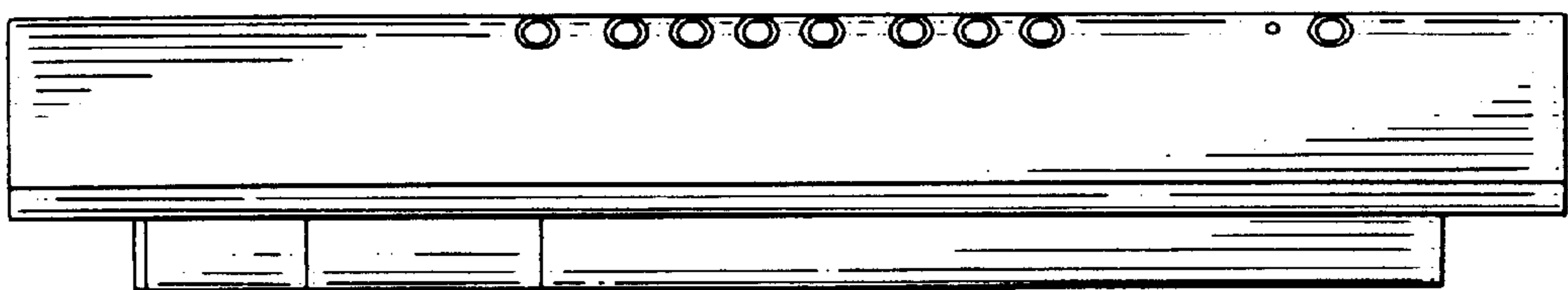


FIG. 5

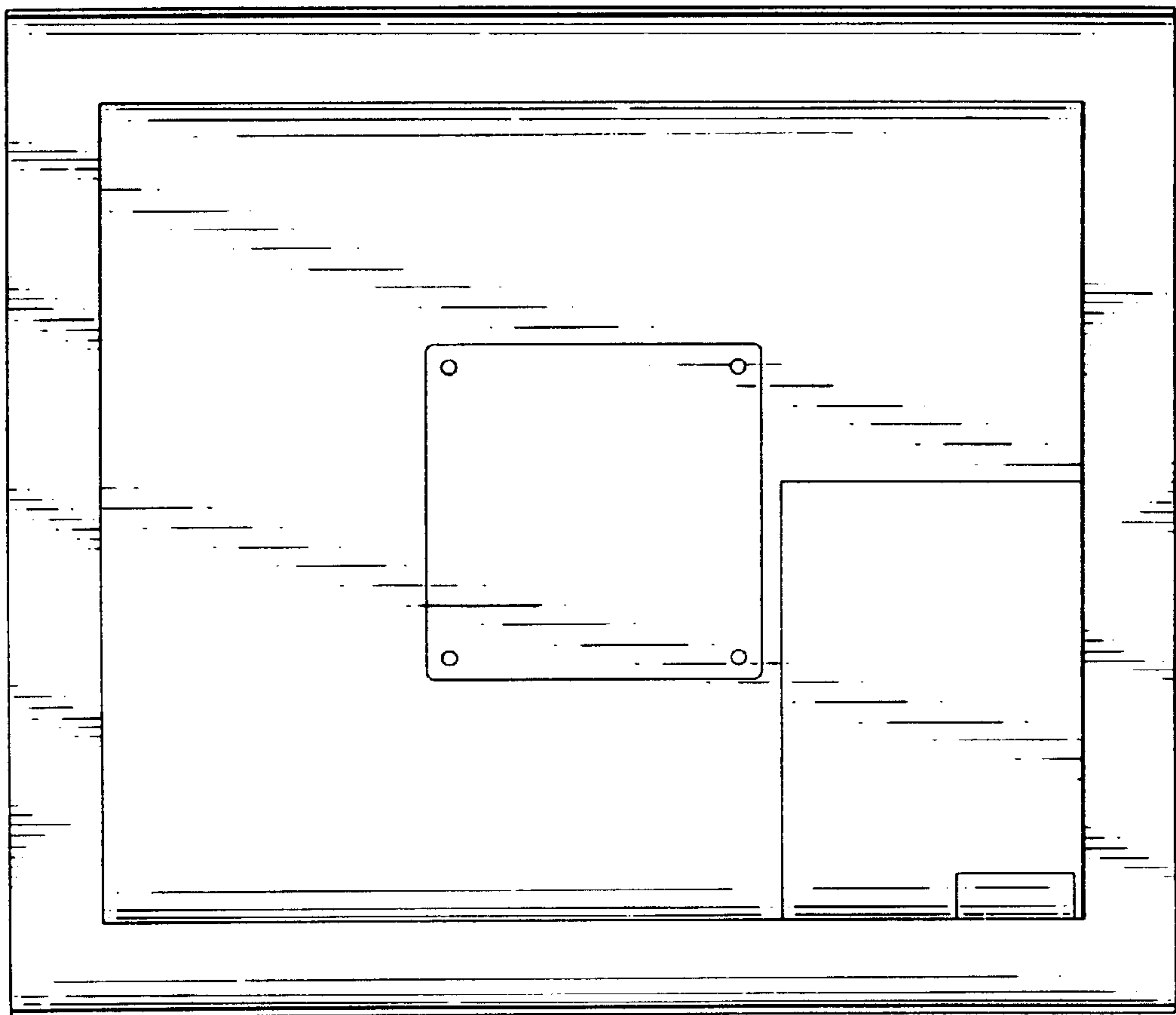


FIG. 6

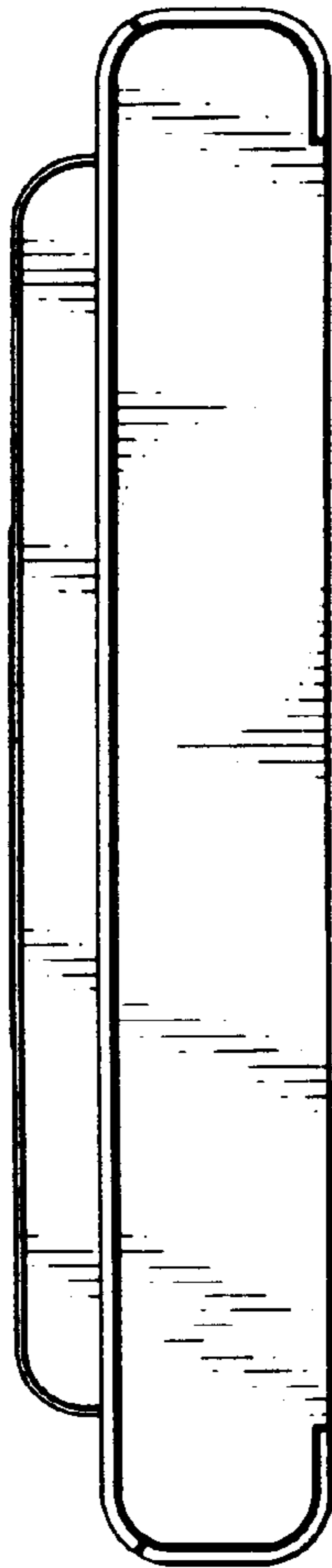


FIG. 7

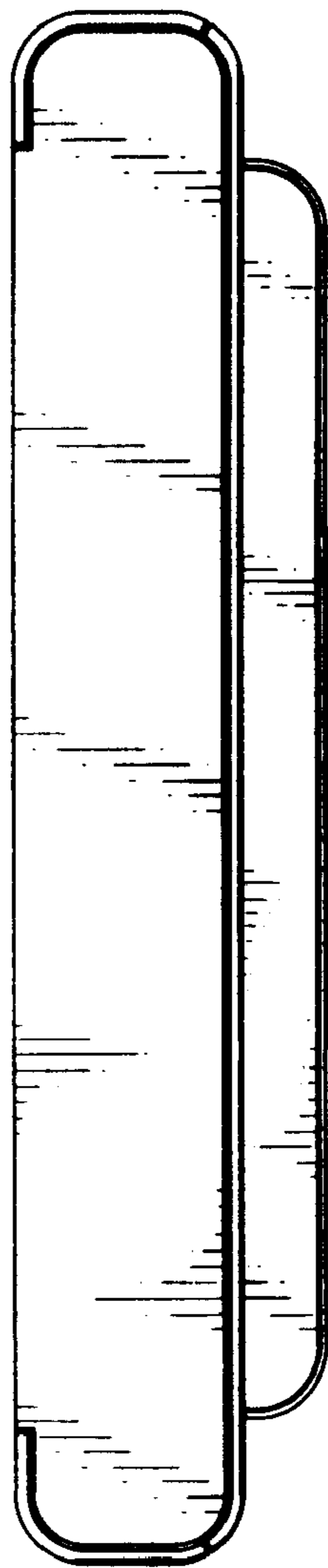


FIG. 8

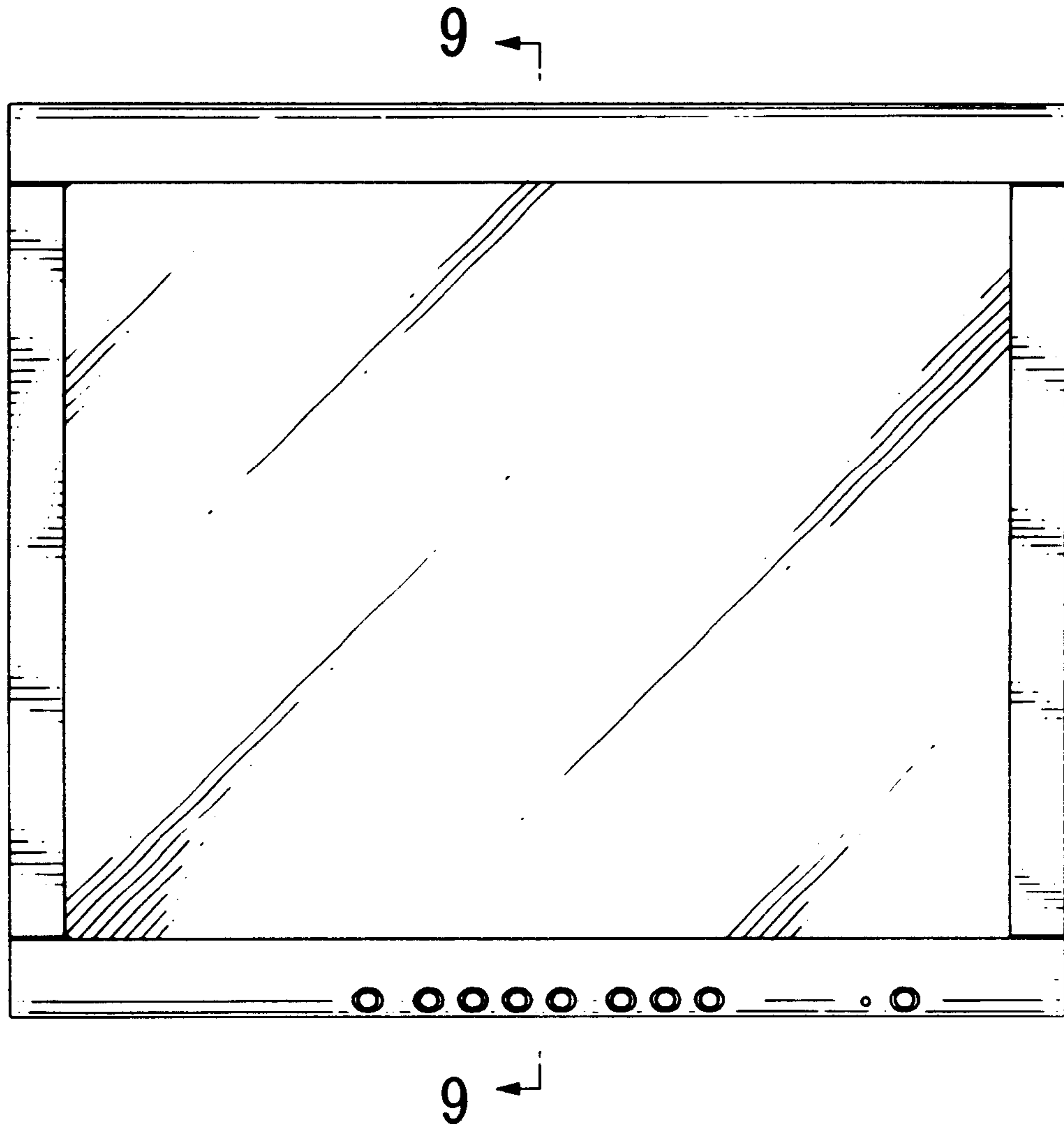


FIG. 9

