



US00D458601S

(12) **United States Design Patent**  
**Hasegawa et al.**

(10) **Patent No.:** **US D458,601 S**

(45) **Date of Patent:** **\*\* Jun. 11, 2002**

(54) **PORTION OF COMPUTER DISPLAY**

(75) Inventors: **Kenichi Hasegawa; Masami Uehara; Ipppei Matsumoto**, all of Tokyo (JP)

(73) Assignee: **NEC Mitsubishi Electric Visual Systems**, Tokyo (JP)

(\*\*) Term: **14 Years**

(21) Appl. No.: **29/140,897**

(22) Filed: **Apr. 27, 2001**

(30) **Foreign Application Priority Data**

Oct. 27, 2000 (JP) ..... 2000-030801

(51) **LOC (7) Cl.** ..... **14-02**

(52) **U.S. Cl.** ..... **D14/371**

(58) **Field of Search** ..... D14/371, 374,  
D14/125-129, 450; D20/10; 345/104, 156,  
168, 173; 348/180, 184, 325, 739; 341/12;  
349/1, 2, 11, 62; 248/917-924

(56) **References Cited**

**U.S. PATENT DOCUMENTS**

D306,158 S \* 2/1990 Ashihara ..... D14/374

D339,574 S \* 9/1993 Althans et al. .... D14/374  
D395,454 S \* 6/1998 Hayashi ..... D20/10  
D396,222 S \* 7/1998 Morgan et al. .... D14/374  
D403,309 S \* 12/1998 Takemasa et al. .... D14/374  
D422,575 S \* 4/2000 Tikhonski et al. .... D14/374  
D424,068 S \* 5/2000 Takemasa ..... D14/374  
D424,538 S \* 5/2000 Hayashi et al. .... D14/374

\* cited by examiner

*Primary Examiner*—Freda Nunn

(74) *Attorney, Agent, or Firm*—Sughrue Mion, PLLC

(57) **CLAIM**

The ornamental design for a portion of computer display, as shown and described.

**DESCRIPTION**

FIG. 1 is a perspective view of a portion of computer display; and,

FIG. 2 is a front elevational view thereof.

The broken lines are shown in the views for illustrative purposes only and form no part of the claimed design.

**1 Claim, 2 Drawing Sheets**

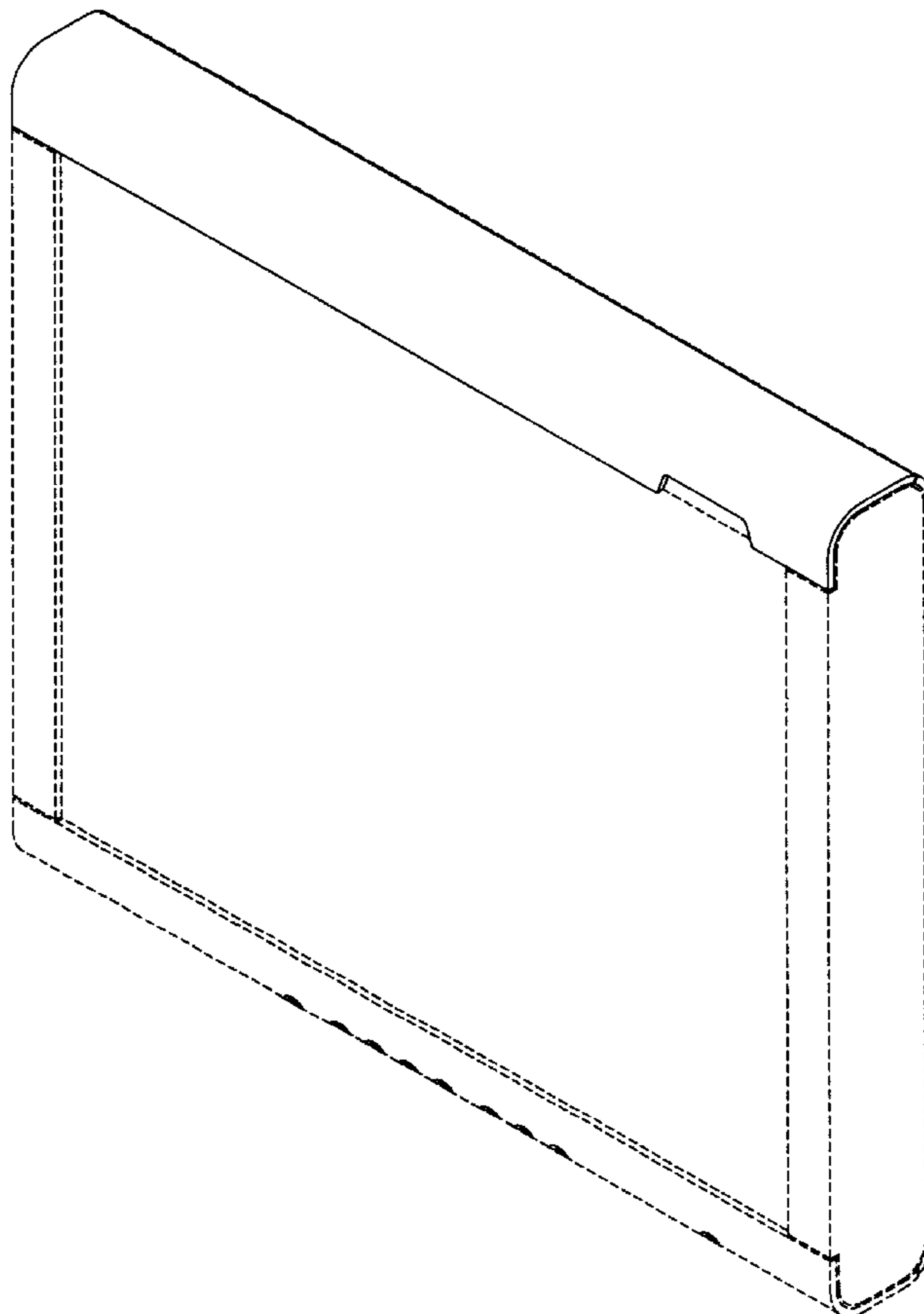


FIG. 1

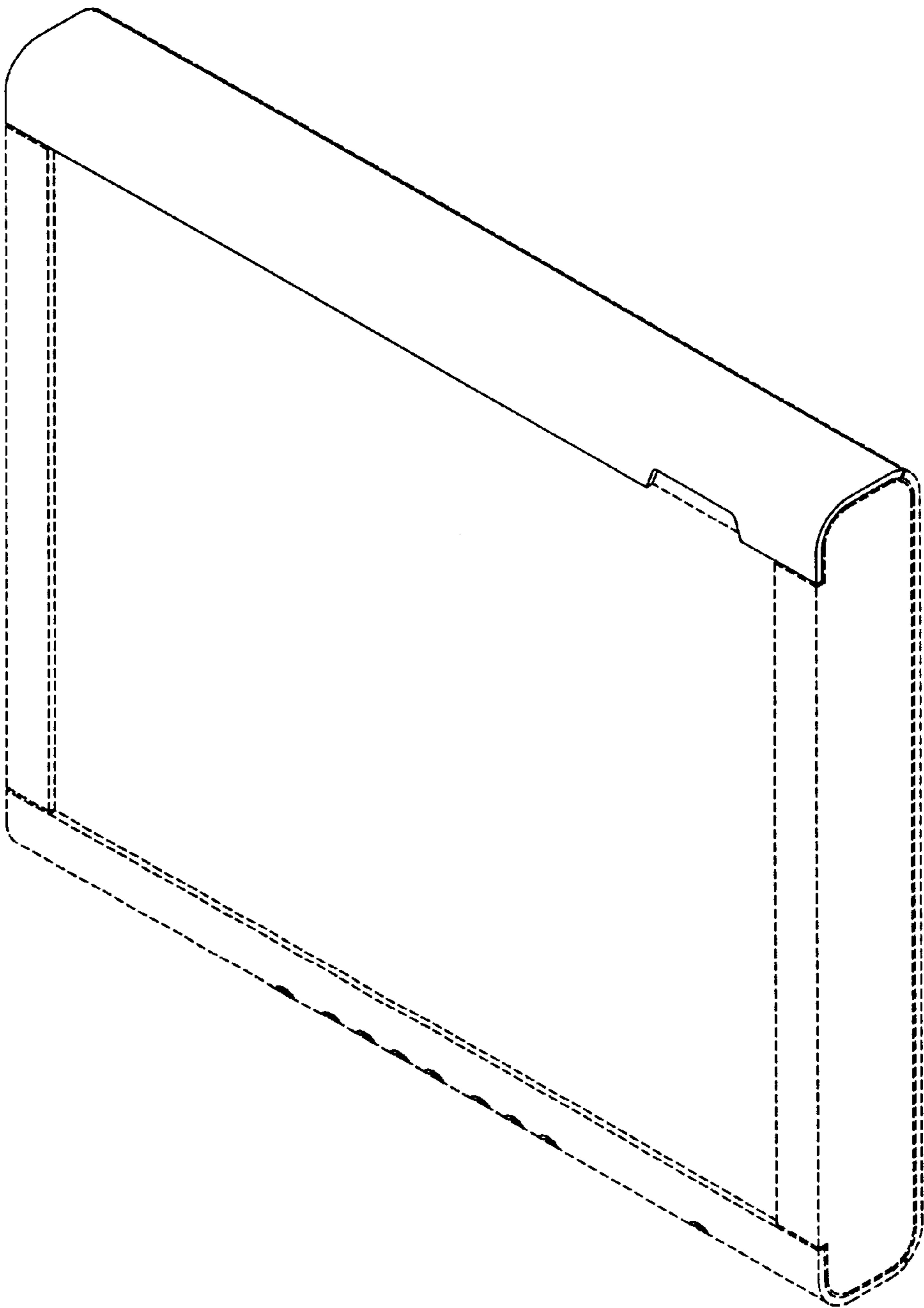


FIG. 2

