



US00D458598S

(12) **United States Design Patent**  
**Sato**

(10) **Patent No.:** **US D458,598 S**

(45) **Date of Patent:** **\*\* Jun. 11, 2002**

(54) **PARABOLIC ANTENNA**

(75) **Inventor:** **Fusao Sato, Hyogo-ken (JP)**

(73) **Assignee:** **DX Antenna Company, Limited, Kobe (JP)**

(\*\*) **Term:** **14 Years**

(21) **Appl. No.:** **29/140,712**

(22) **Filed:** **Apr. 24, 2001**

(51) **LOC (7) Cl. .... 14-03**

(52) **U.S. Cl. .... D14/231**

(58) **Field of Search .... D14/230-238;**  
343/878, 880, 840, 872, 881, 763, 720,  
912, 908, 907, 761, 882, 786

(56) **References Cited**

**U.S. PATENT DOCUMENTS**

D362,444 S	*	9/1995	Schneeman	.....	D14/231
D389,155 S	*	1/1998	Inoue	.....	D14/231
D411,999 S	*	7/1999	Inoue	.....	D14/231
D413,603 S	*	9/1999	Inoue	.....	D14/231
6,166,704 A	*	12/2000	Jan et al.	.....	343/840
D441,741 S	*	5/2001	Inoue	.....	D14/231

\* cited by examiner

*Primary Examiner*—Louis S. Zarfes

*Assistant Examiner*—Gregory Andoll

(74) *Attorney, Agent, or Firm*—Duane, Morris & Heckscher LLP

(57) **CLAIM**

The ornamental design for a parabolic antenna, as shown and described.

**DESCRIPTION**

FIG. 1 is a front right side perspective view of a parabolic antenna according to my new design;

FIG. 2 is a front elevational view of the parabolic antenna shown in FIG. 1;

FIG. 3 is a top plan view of the antenna shown in FIG. 1;

FIG. 4 is a left side elevational view of the antenna shown in FIG. 1;

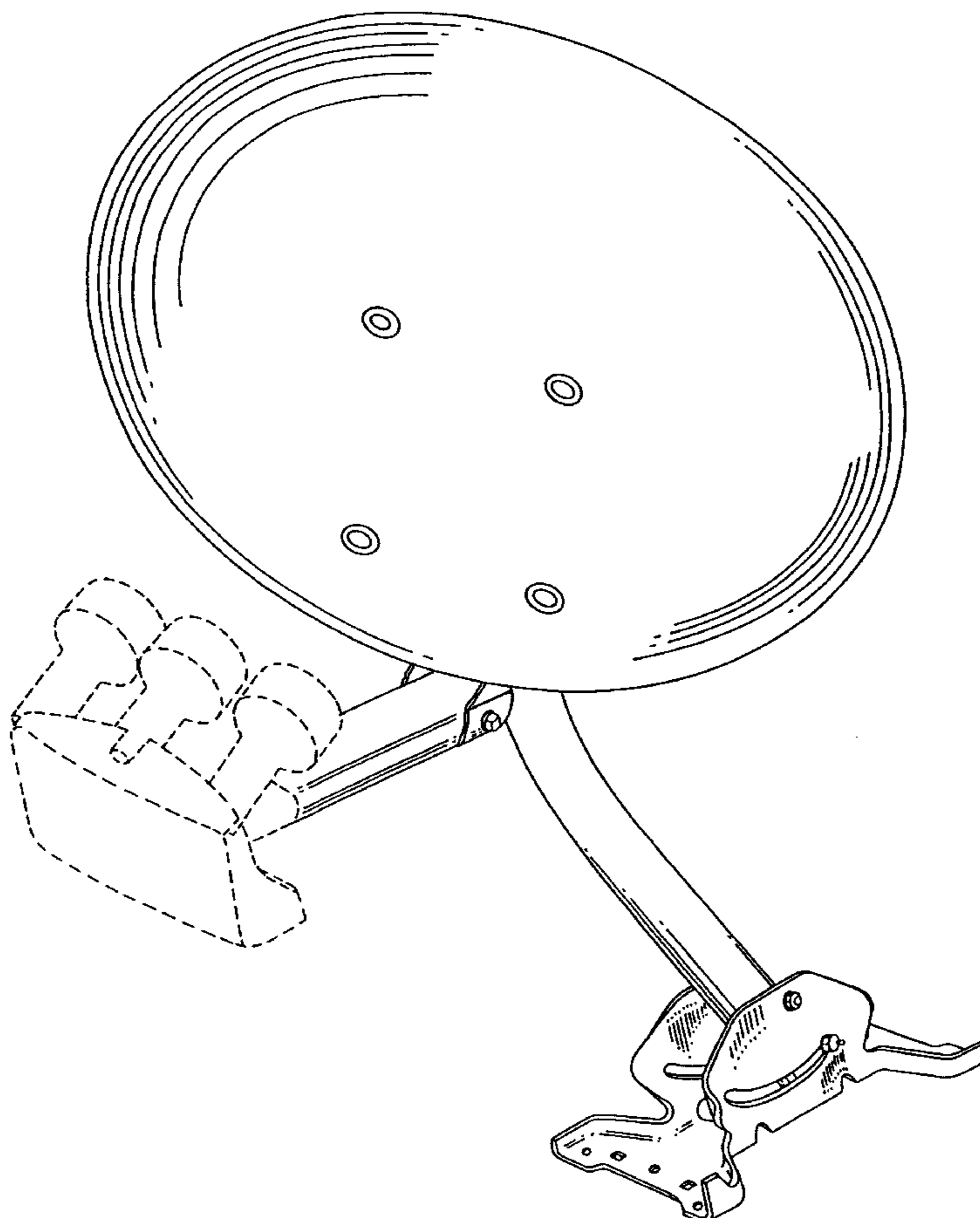
FIG. 5 is a rear elevational view of the antenna shown in FIG. 1;

FIG. 6 is a bottom plan view of the antenna shown in FIG. 1; and,

FIG. 7 is a right side elevational view of the antenna shown in FIG. 1.

The converter assembly shown in broken lines is only for illustrative purposes and forms no part of the claim.

**1 Claim, 7 Drawing Sheets**



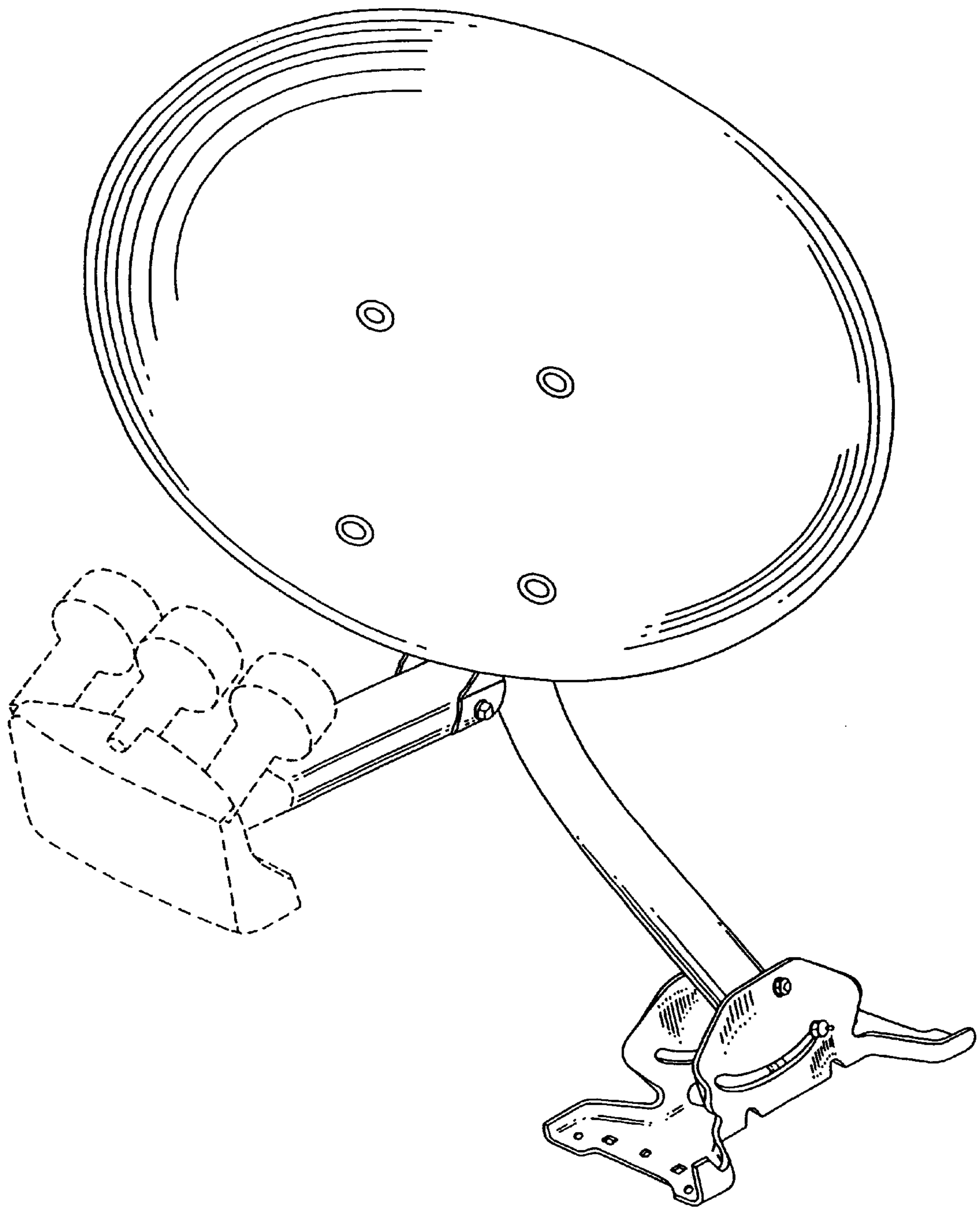


FIG. 1

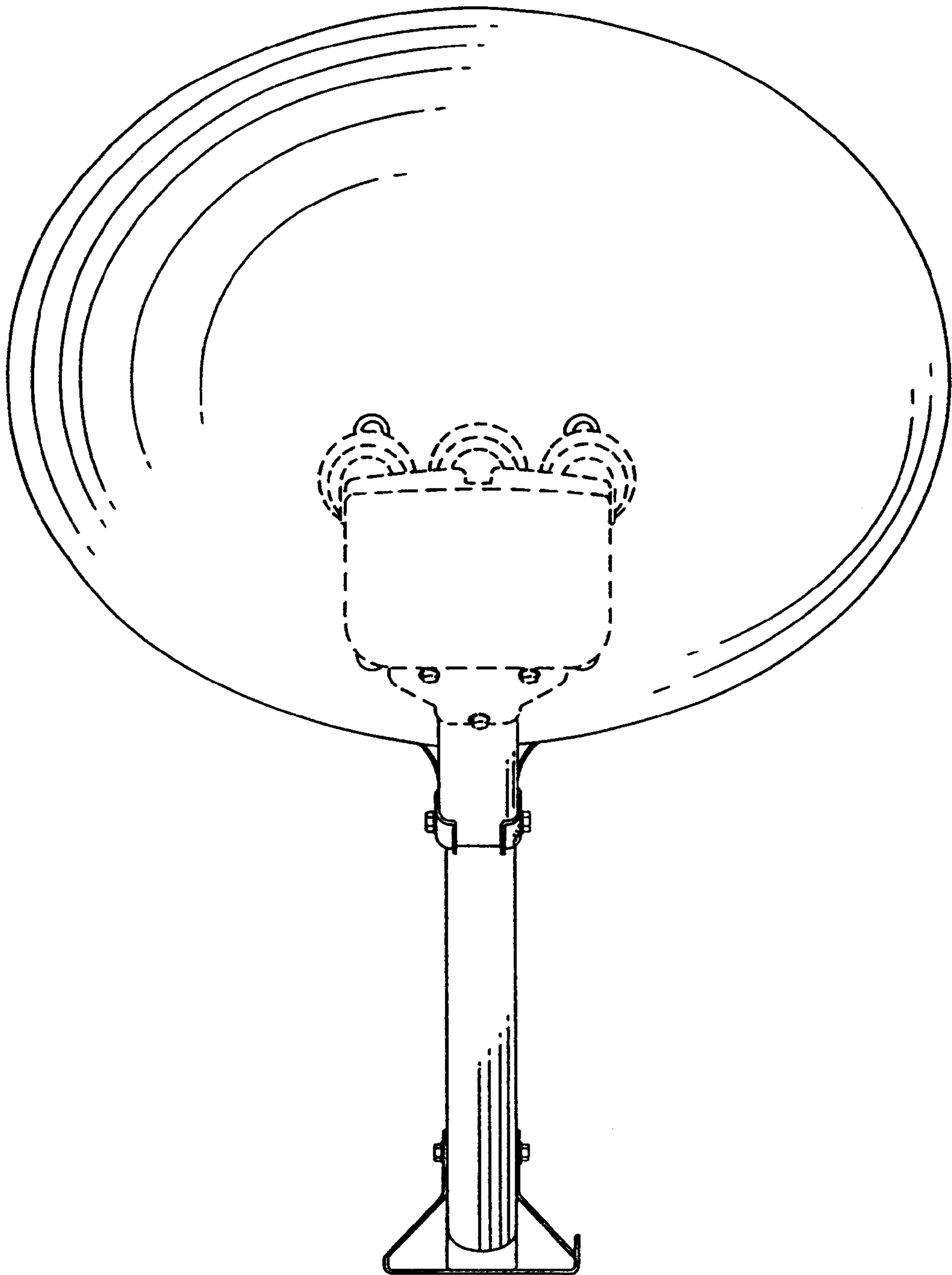


FIG. 2

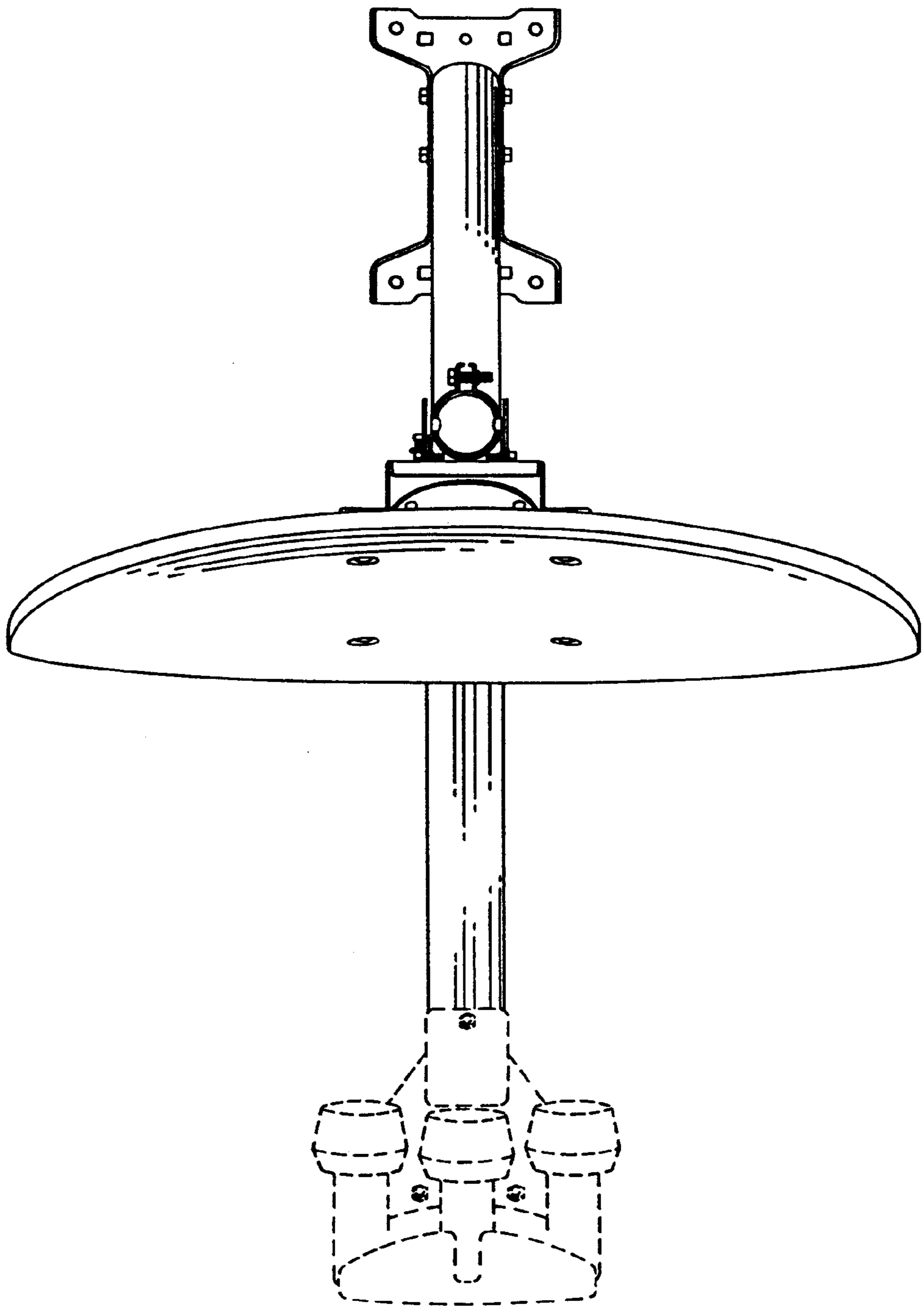
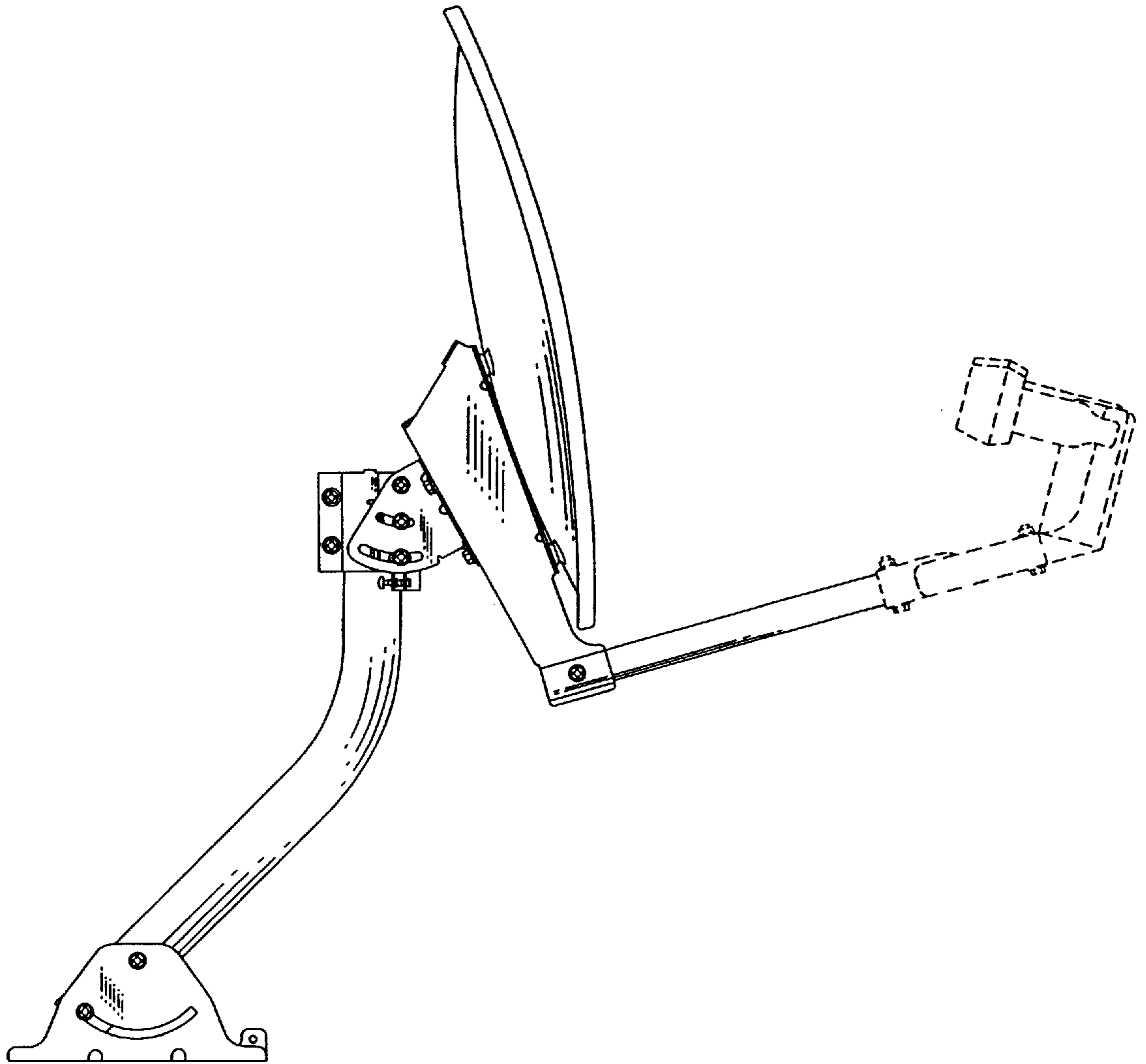
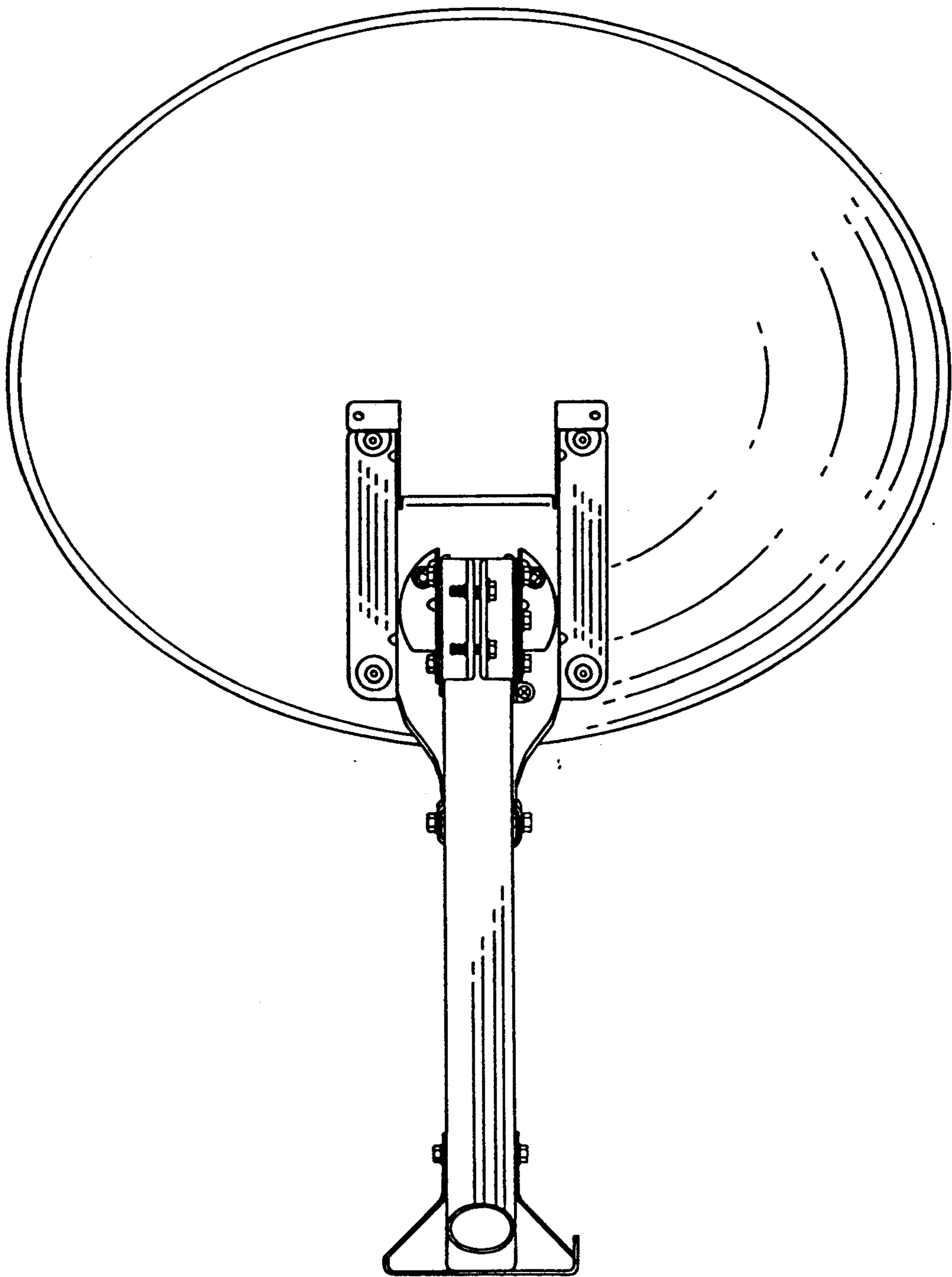


FIG. 3



F I G . 4



F I G . 5



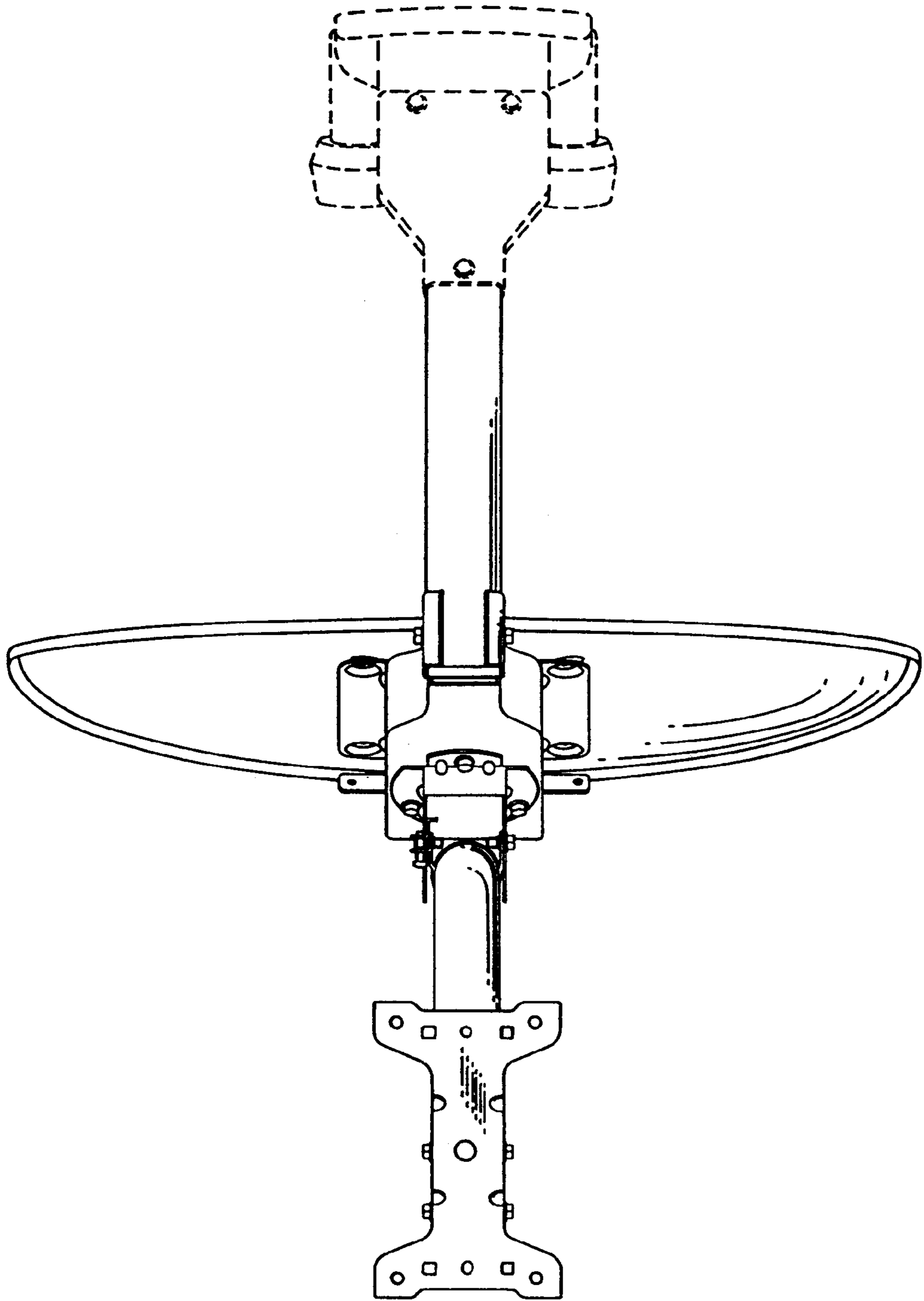
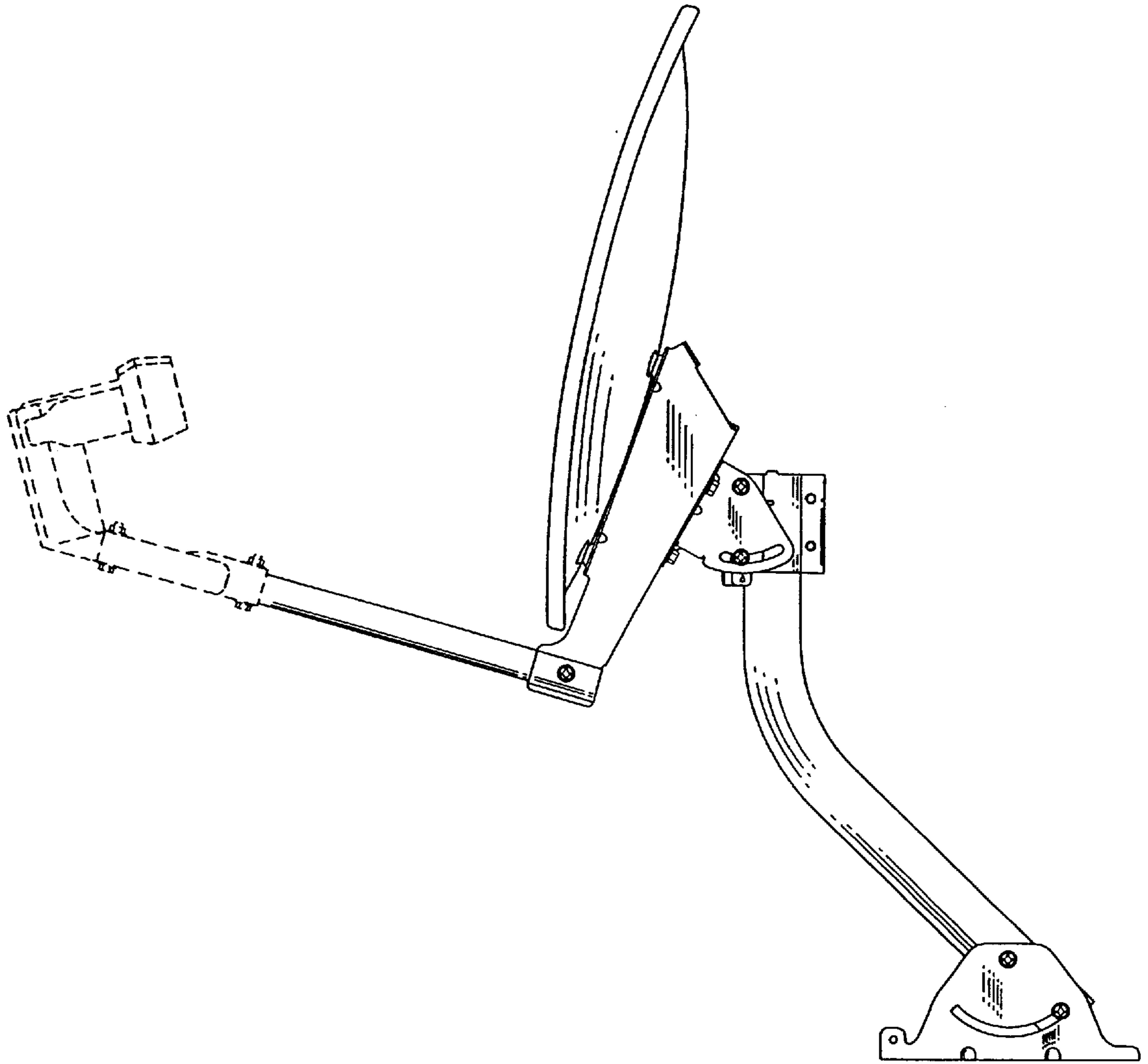


FIG. 6



F I G . 7