

US00D458591S

(12) **United States Design Patent**  
**Chang**

(10) **Patent No.:** **US D458,591 S**

(45) **Date of Patent:** **\*\* Jun. 11, 2002**

(54) **ELECTRICAL CONNECTOR**

(75) **Inventor:** **Chia-Chi Chang, Hsin-Tien (TW)**

(73) **Assignee:** **Perfect-Three Mfg. Corp., Chang-Hua Hsien (TW)**

(\*\*) **Term:** **14 Years**

(21) **Appl. No.:** **29/149,269**

(22) **Filed:** **Oct. 9, 2001**

(51) **LOC (7) Cl.** ..... **13-03**

(52) **U.S. Cl.** ..... **D13/147**

(58) **Field of Search** ..... **D13/133, 146, D13/147; D14/256; 439/344, 607, 620, 676**

(56) **References Cited**

**U.S. PATENT DOCUMENTS**

D270,247 S	*	8/1983	Sampson et al.	.....	D14/256
5,118,310 A	*	6/1992	Stroede et al.	.....	439/676
5,169,346 A	*	12/1992	Johnston	.....	439/676
5,186,647 A	*	2/1993	Denkmann et al.	.....	439/676 X
5,199,891 A	*	4/1993	Reed	.....	439/676 X

5,736,910 A	*	4/1998	Townsend et al.	.....	439/620 X
D400,178 S	*	10/1998	Liu	.....	D13/147
5,938,479 A	*	8/1999	Paulson et al.	.....	439/676
6,142,828 A	*	11/2000	Pepe	.....	439/607 X
6,168,473 B1	*	1/2001	Hsin	.....	439/676
6,328,595 B1	*	12/2001	Chang	.....	439/620 X

\* cited by examiner

*Primary Examiner*—Joel Sincavage

(74) *Attorney, Agent, or Firm*—Foley & Lardner

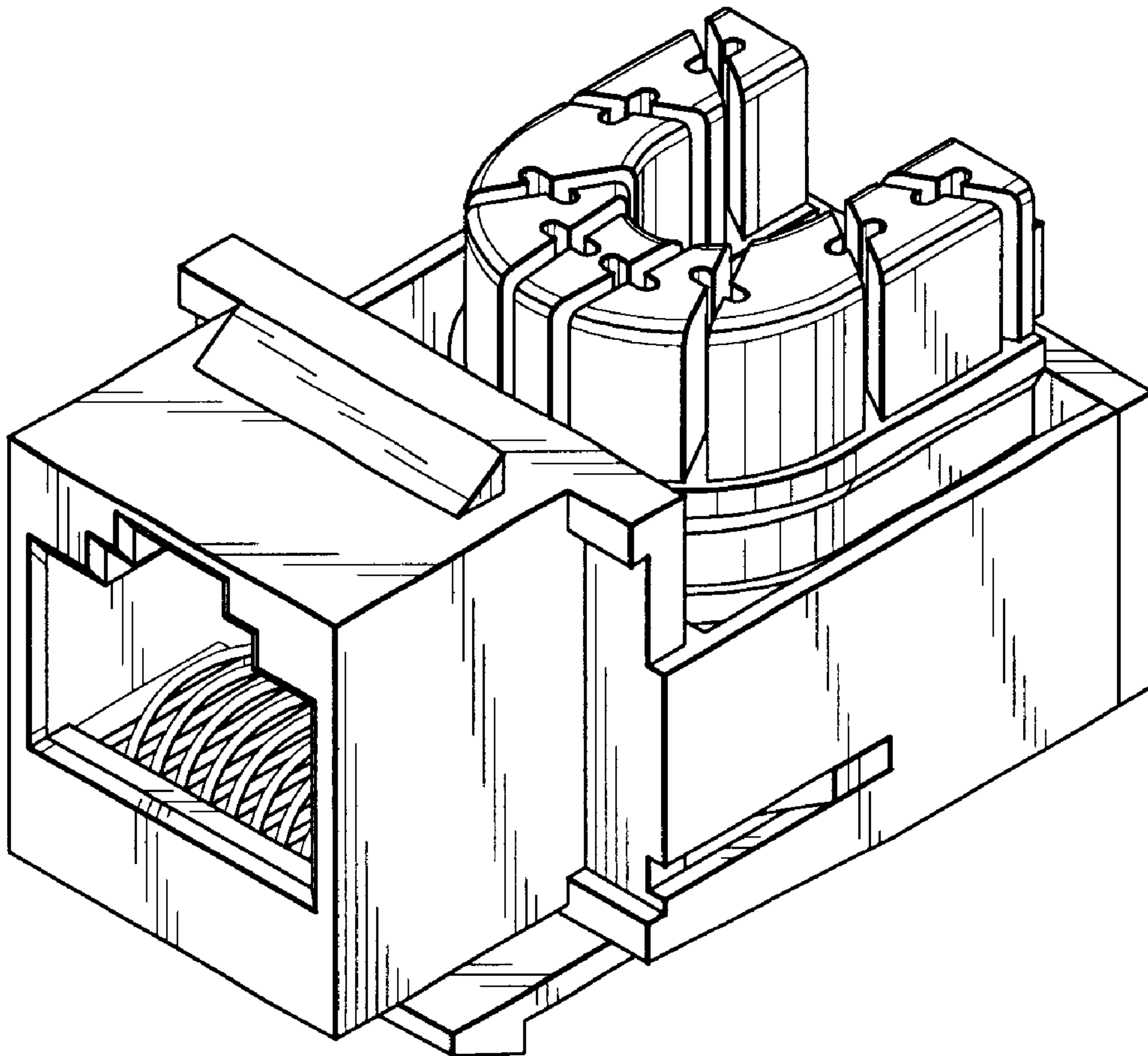
(57) **CLAIM**

The ornamental design for electrical connector, as shown and described.

**DESCRIPTION**

FIG. 1 is a perspective view of electrical connector showing my new design;  
 FIG. 2 is a front elevational view thereof;  
 FIG. 3 is a rear elevational view thereof;  
 FIG. 4 is a left side elevational view thereof;  
 FIG. 5 is a right side elevational view thereof;  
 FIG. 6 is a top plan view thereof; and,  
 FIG. 7 is a bottom plan view thereof.

**1 Claim, 2 Drawing Sheets**



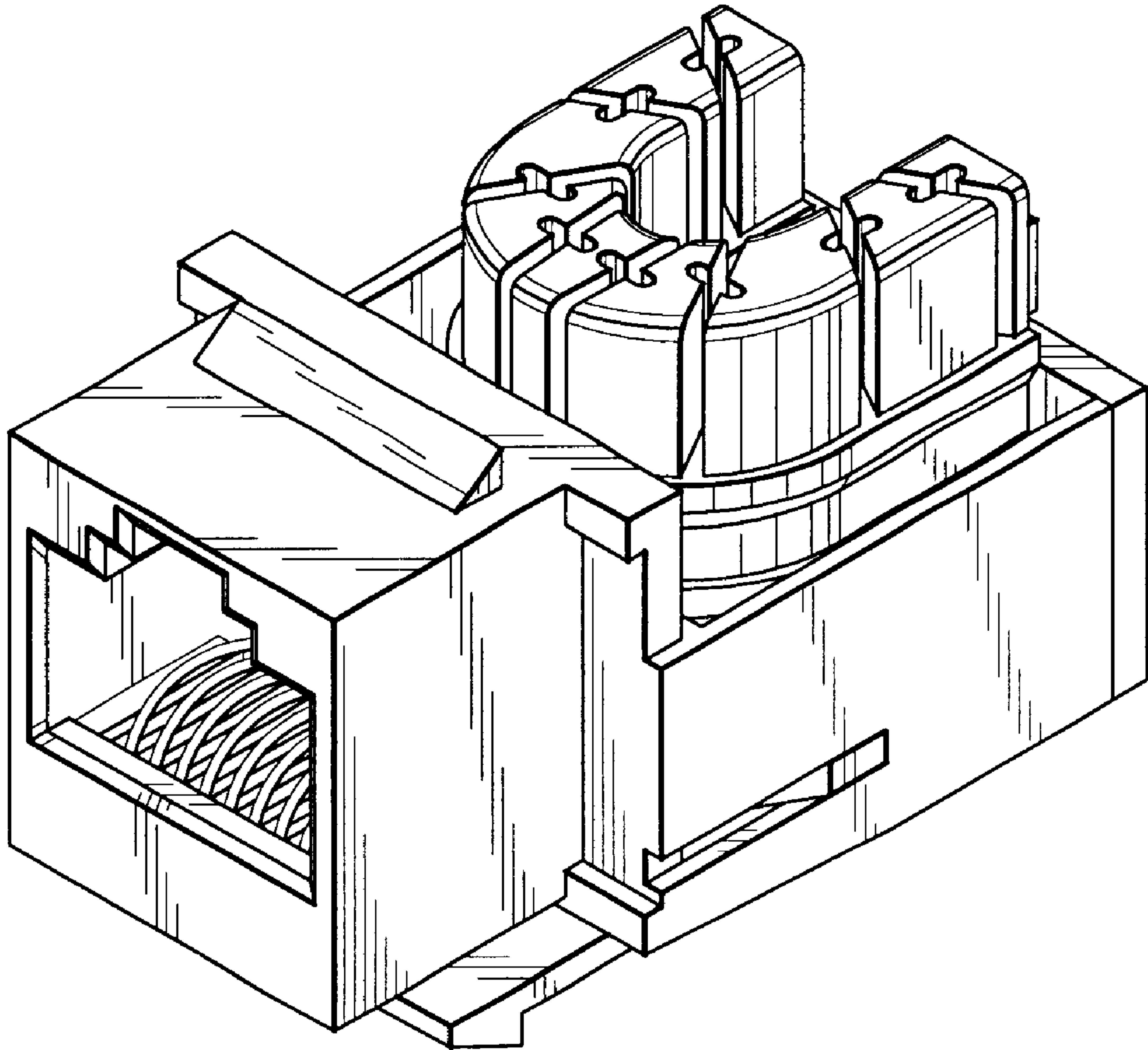


FIG. 1

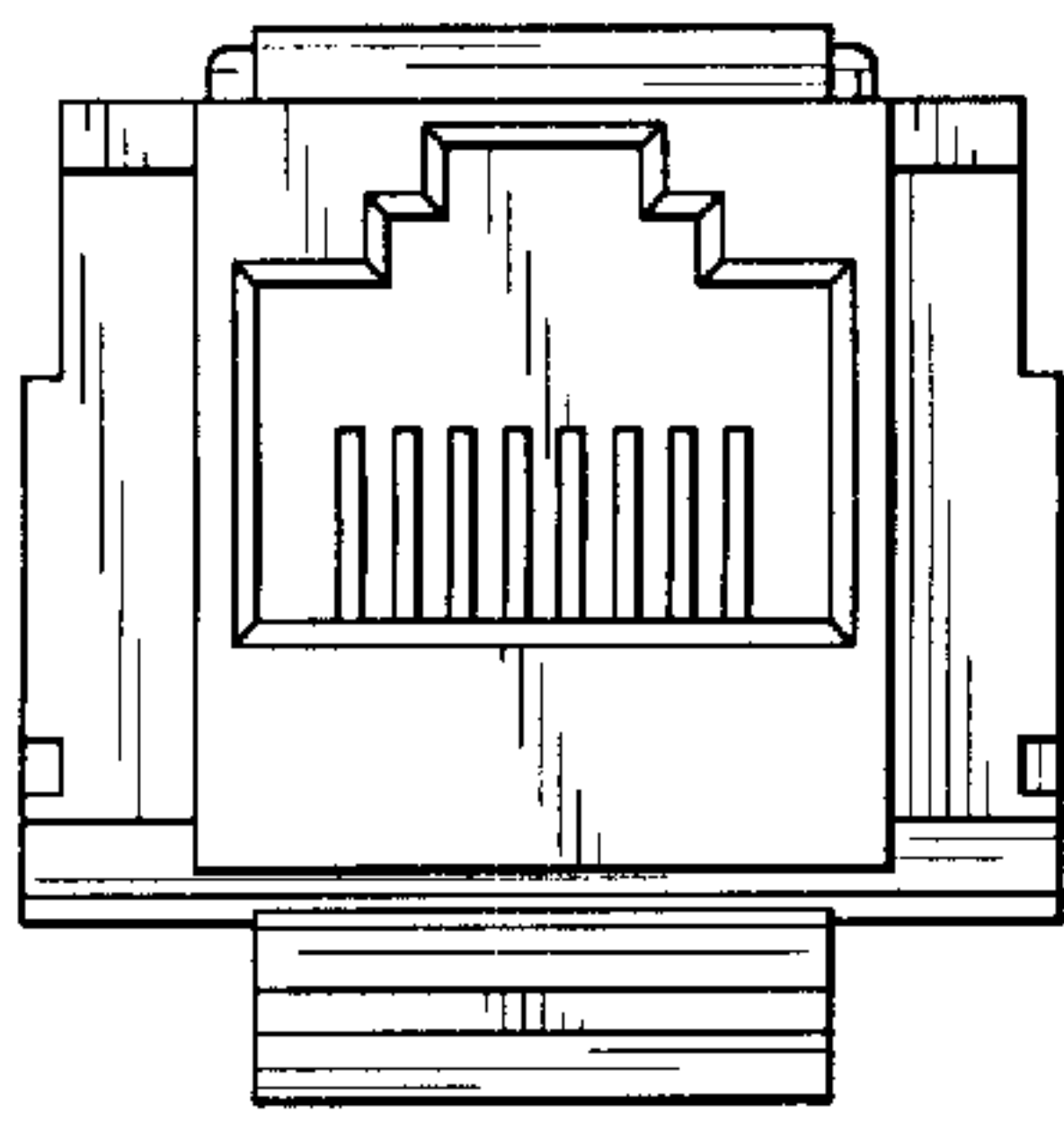


FIG. 2

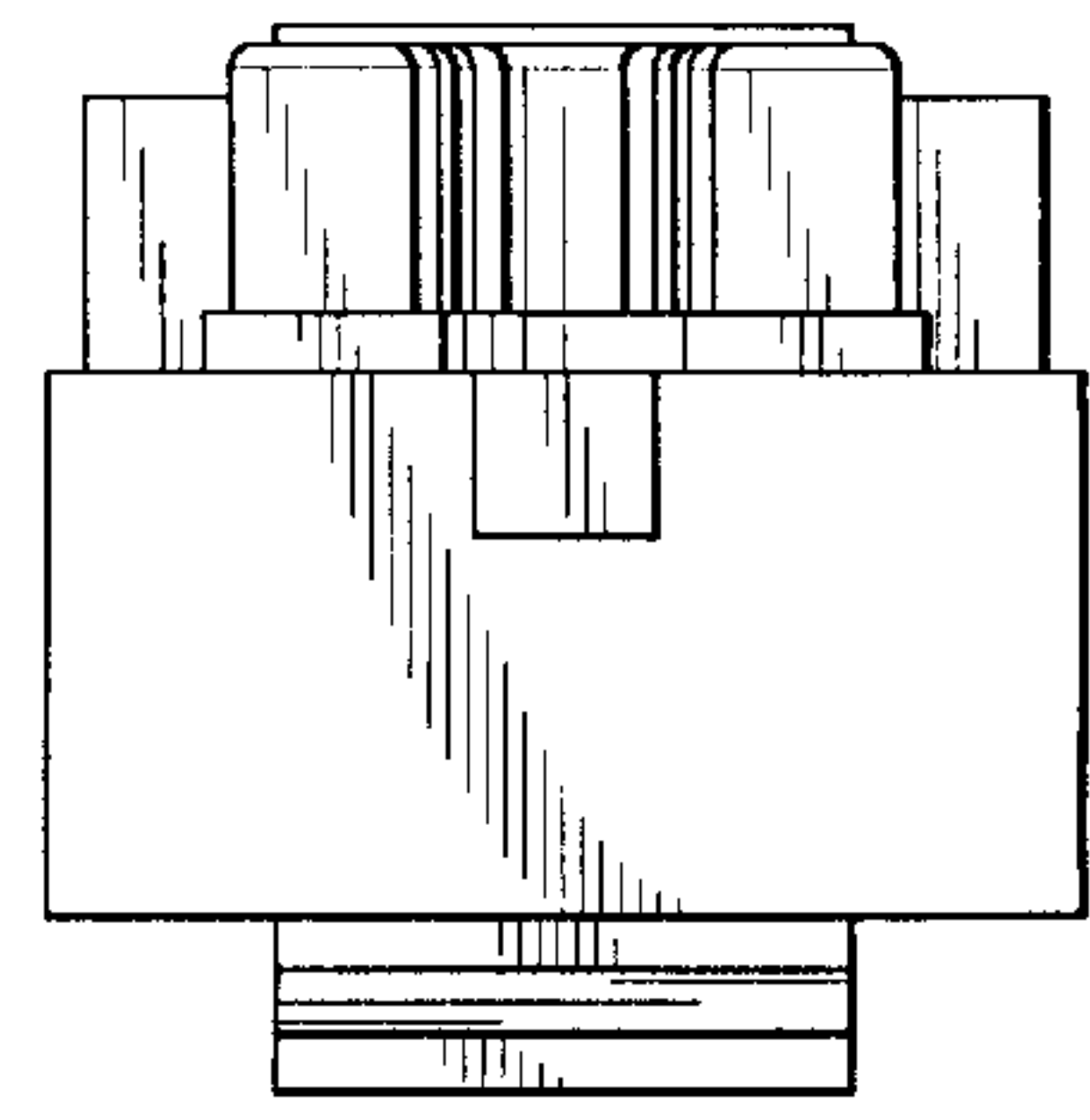


FIG. 3

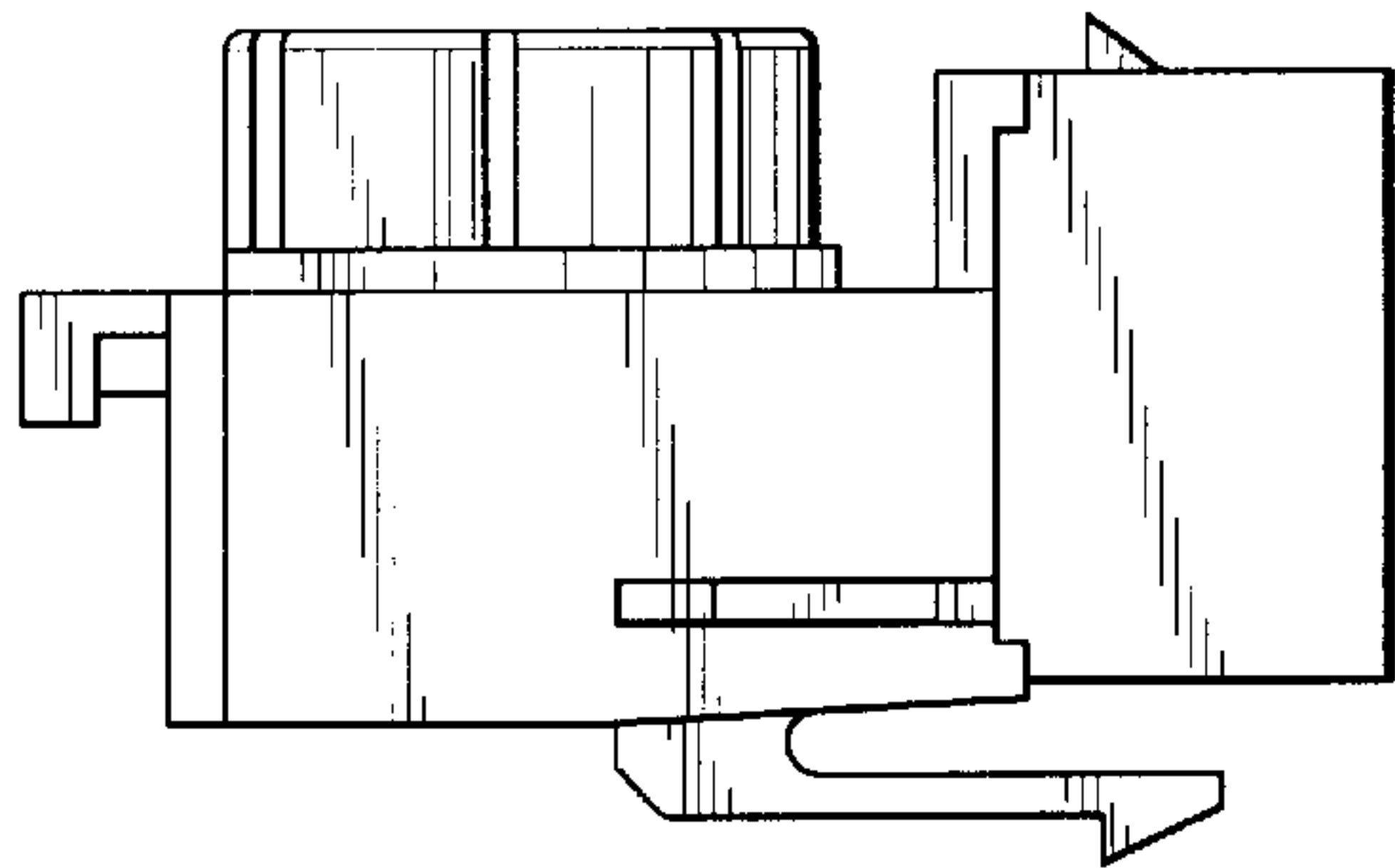


FIG. 4

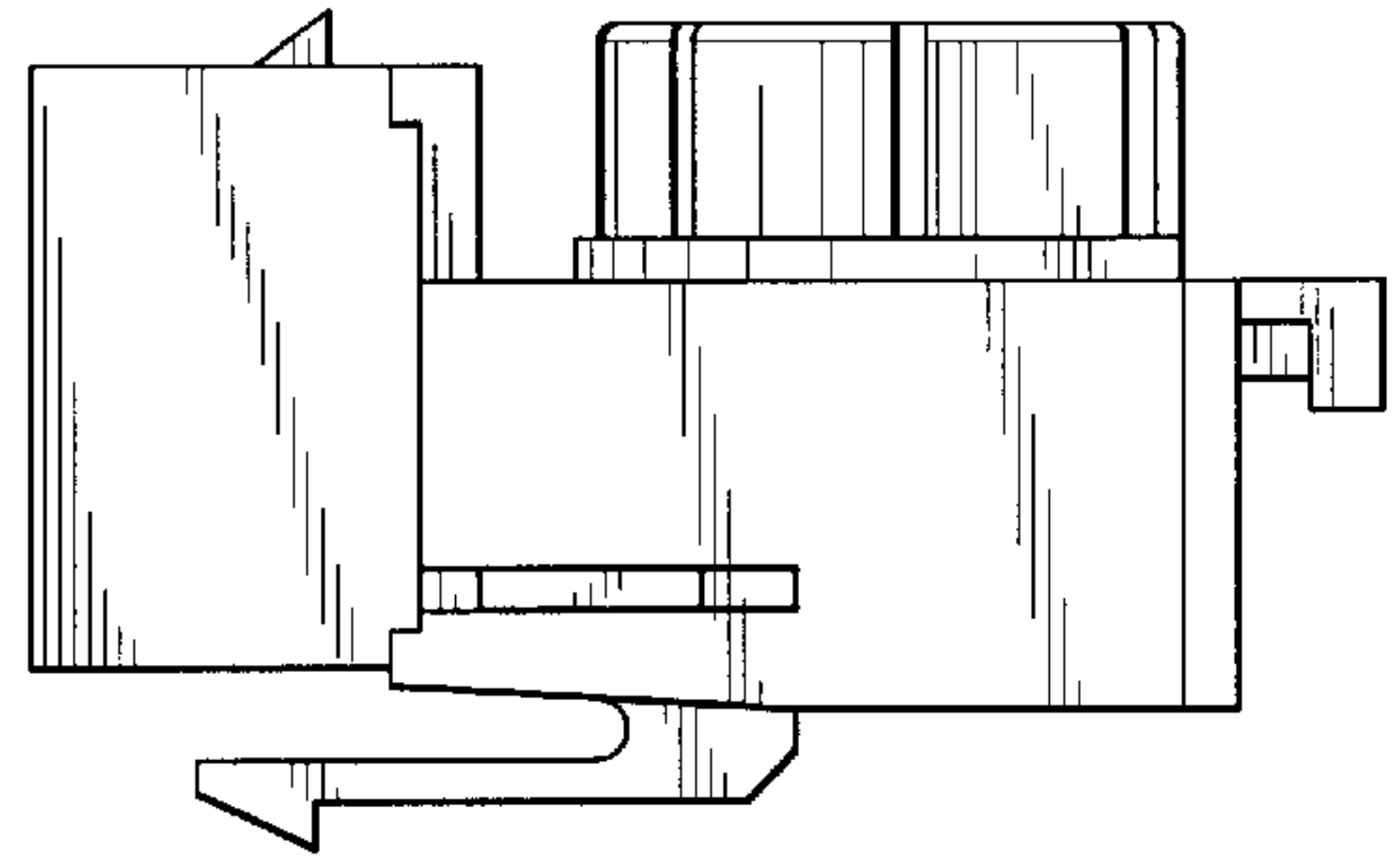


FIG. 5

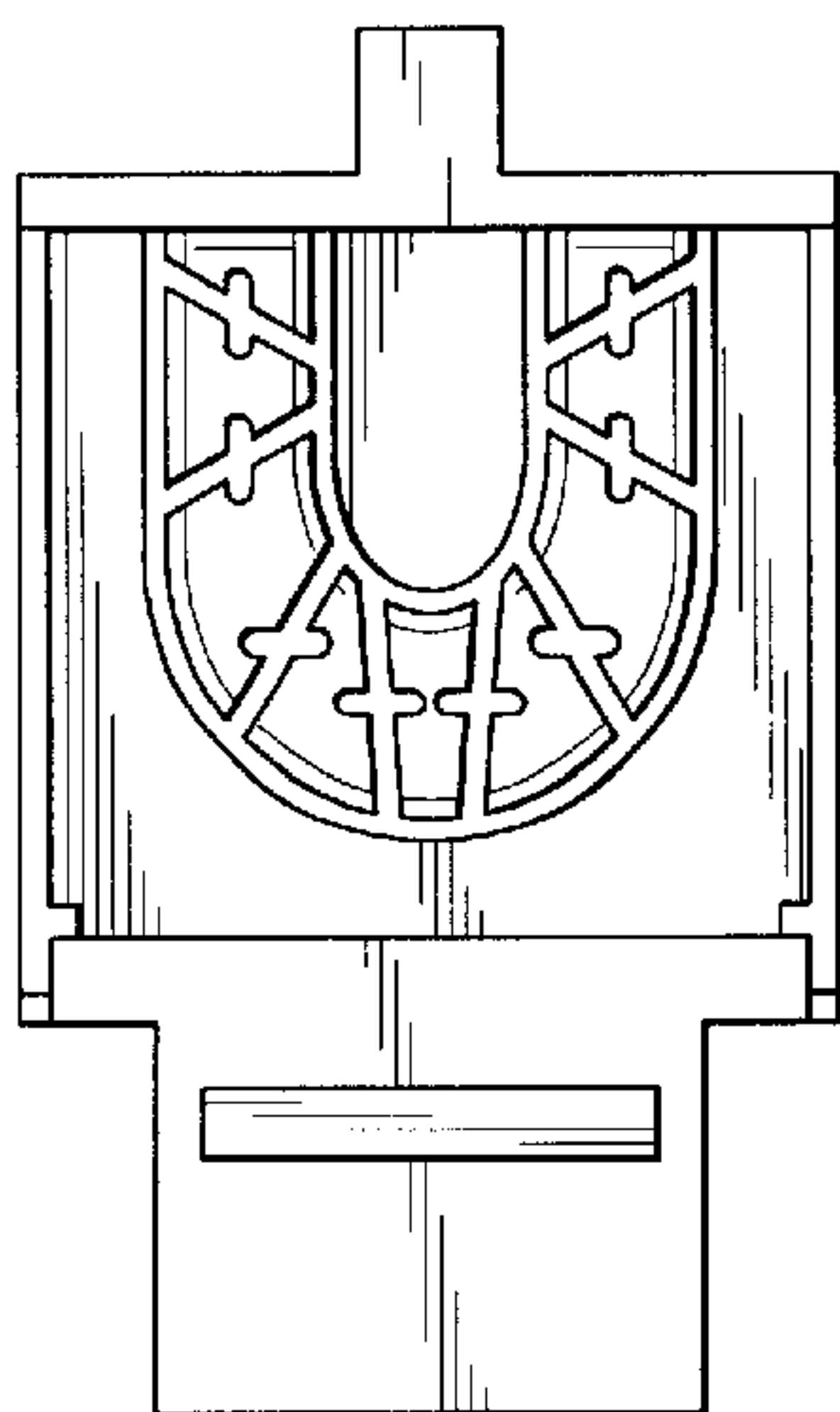


FIG. 6

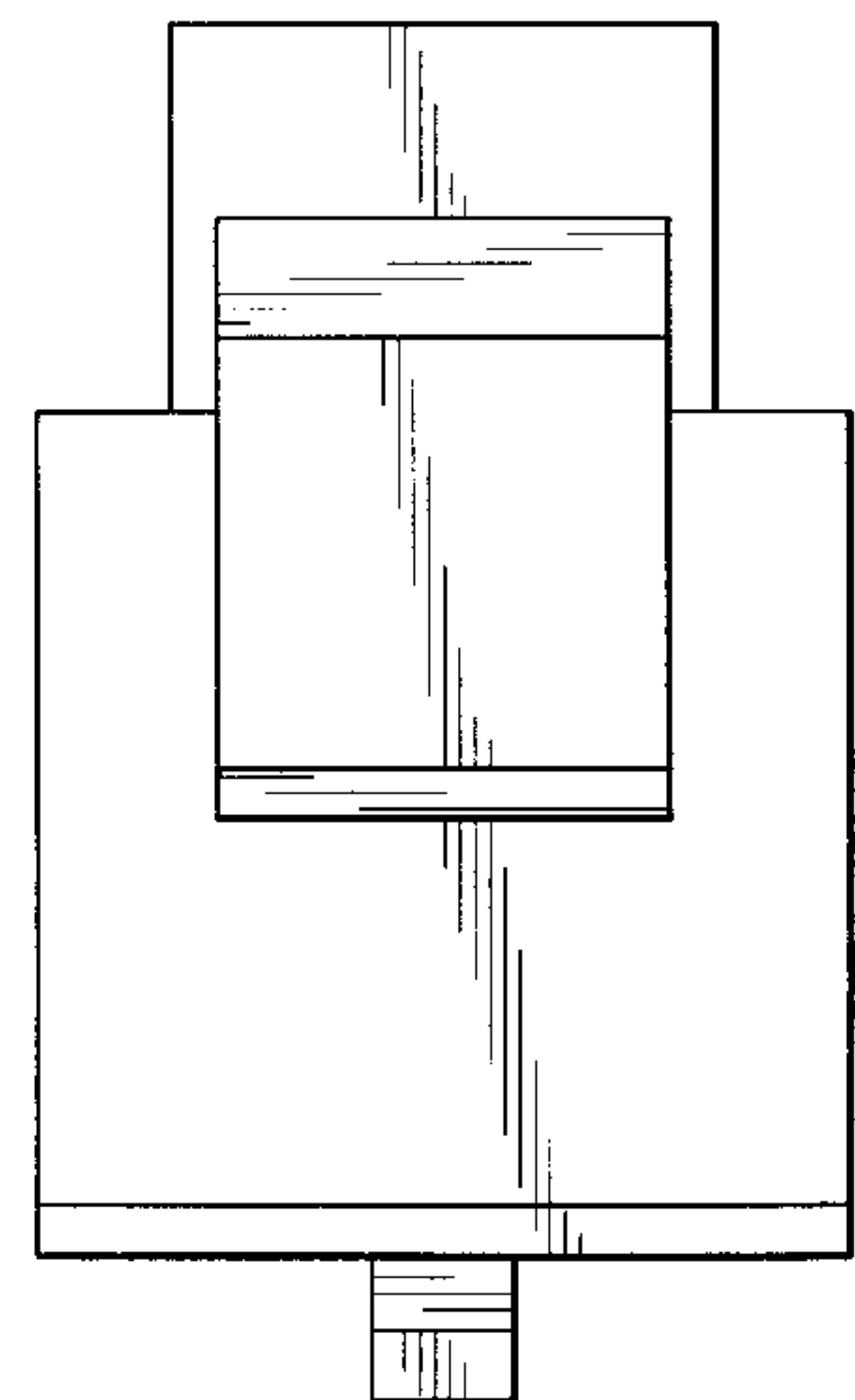


FIG. 7