



US00D458590S

(12) **United States Design Patent**  
**Wilson et al.**

(10) **Patent No.:** **US D458,590 S**  
(45) **Date of Patent:** **\*\* Jun. 11, 2002**

(54) **UNINTERRUPTABLE POWER SUPPLY**

D445,091 S \* 7/2001 Tong et al. .... D13/139.8

(75) Inventors: **James Wilson**, Brighton; **Mark H. Germagian**, Hudson, both of MA (US); **Jane E. Morgan**, Cranston, RI (US); **Fred W. Rodenhiser**, Wilmington, MA (US)

\* cited by examiner

*Primary Examiner*—Jennifer Rivard  
(74) *Attorney, Agent, or Firm*—Mintz, Levin, Cohn, Ferris, Glovsky and Popeo, P.C.

(73) Assignee: **American Power Conversion**, West Kingston, RI (US)

(57) **CLAIM**

The ornamental design for an uninterruptable power supply, as shown and described.

(\*\*) Term: **14 Years**

**DESCRIPTION**

(21) Appl. No.: **29/138,728**

FIG. 1 is a perspective view showing our new design; FIG. 2 is a top plan view thereof; FIG. 3 is a bottom plan view thereof; FIG. 4 is a side view thereof; FIG. 5 is a side view thereof; FIG. 6 is an end view; and, FIG. 7 is an end view.

(22) Filed: **Mar. 19, 2001**

(51) **LOC (7) Cl.** ..... **13-03**

(52) **U.S. Cl.** ..... **D13/139.8**

(58) **Field of Search** ..... D13/139.6-139.8; 439/107, 501, 650-654, 954

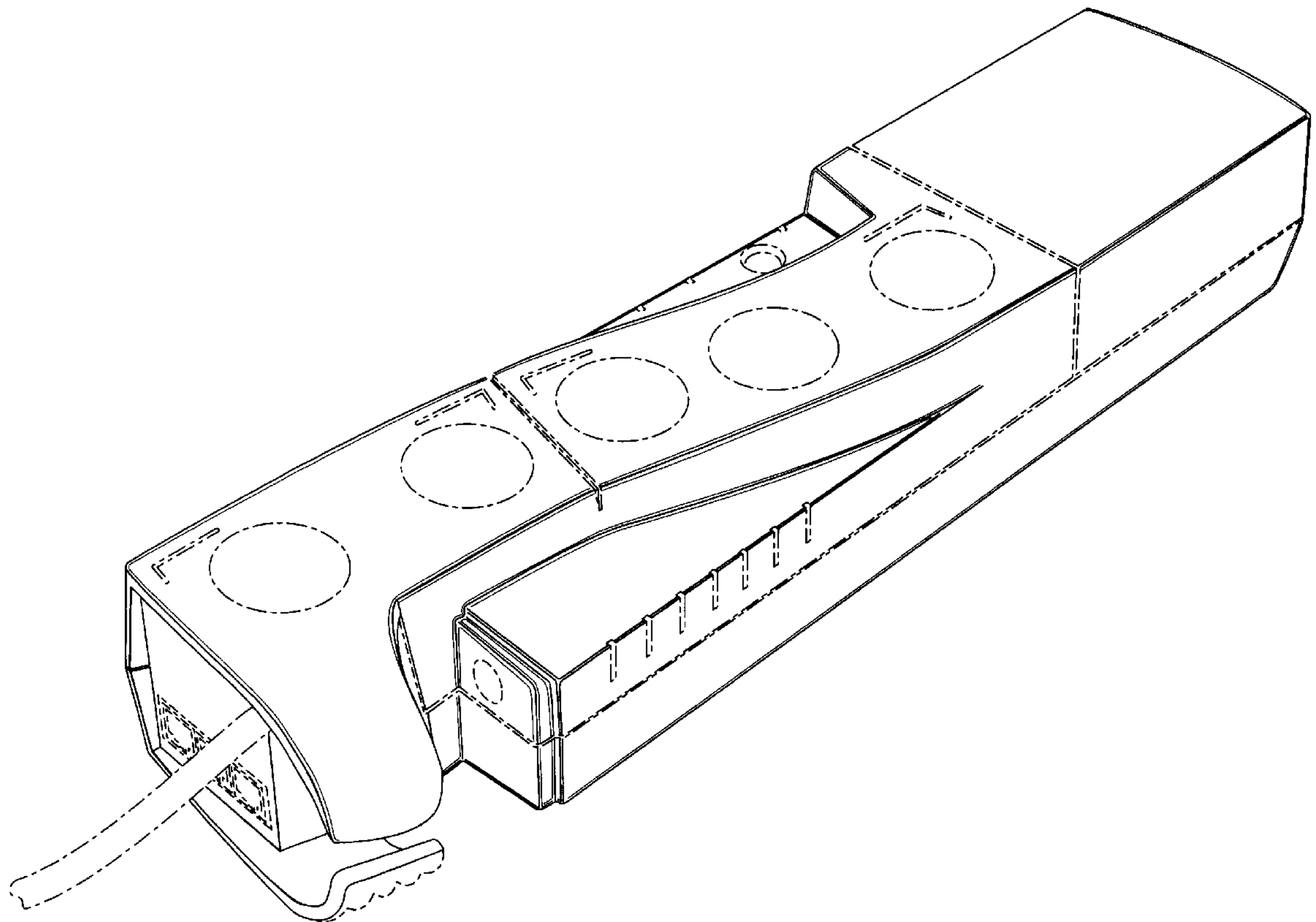
The portions of the uninterruptable power supply shown in broken lines are for illustrative purposes only and form no part of the claimed design.

(56) **References Cited**

**U.S. PATENT DOCUMENTS**

D443,591 S \* 6/2001 Tong et al. .... D13/139.8

**1 Claim, 4 Drawing Sheets**



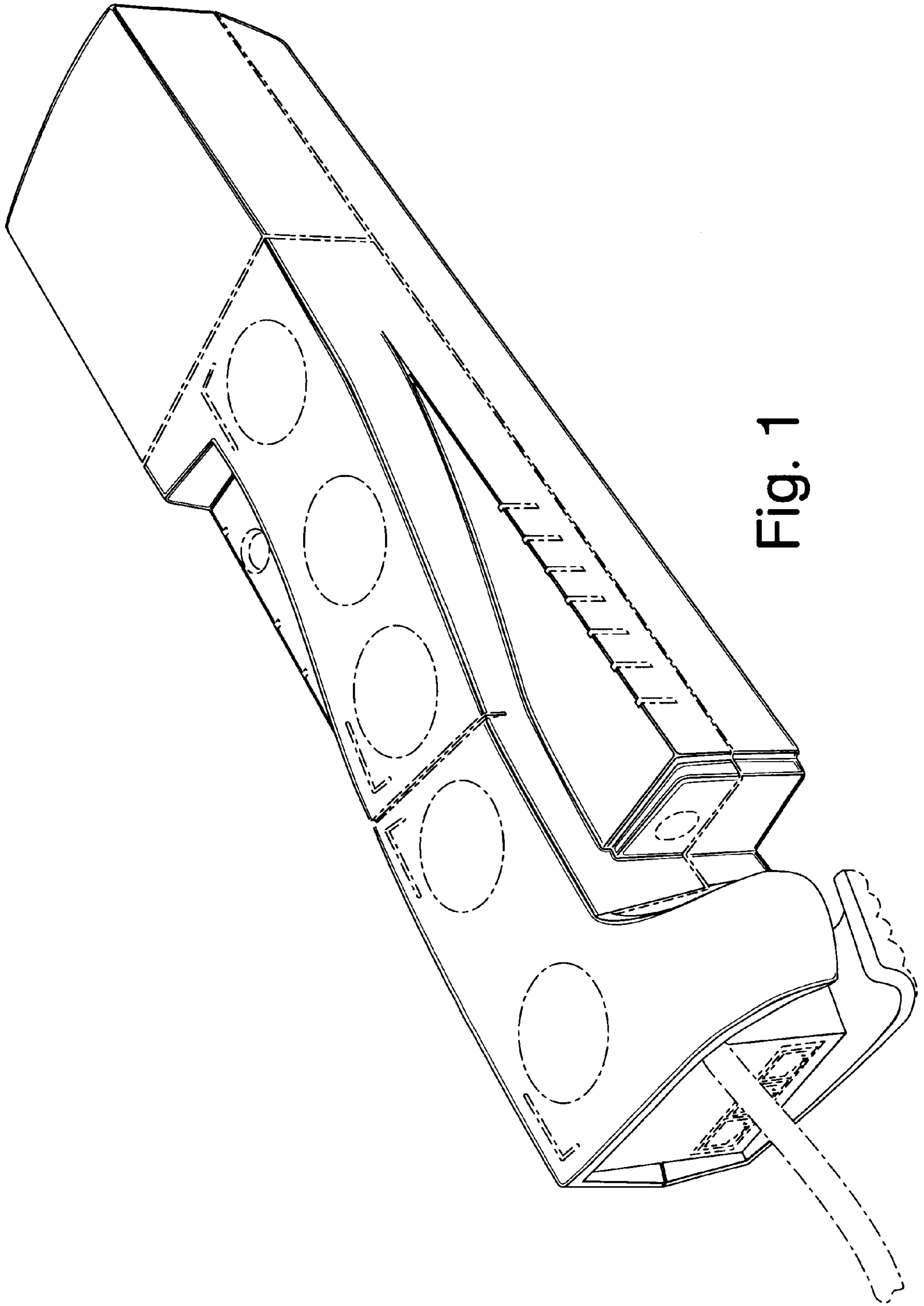


Fig. 1

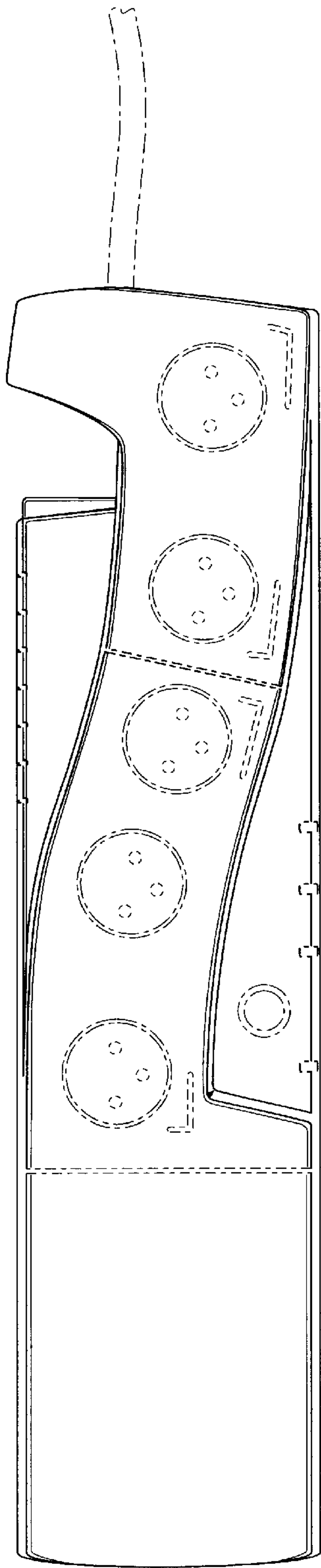


Fig. 2

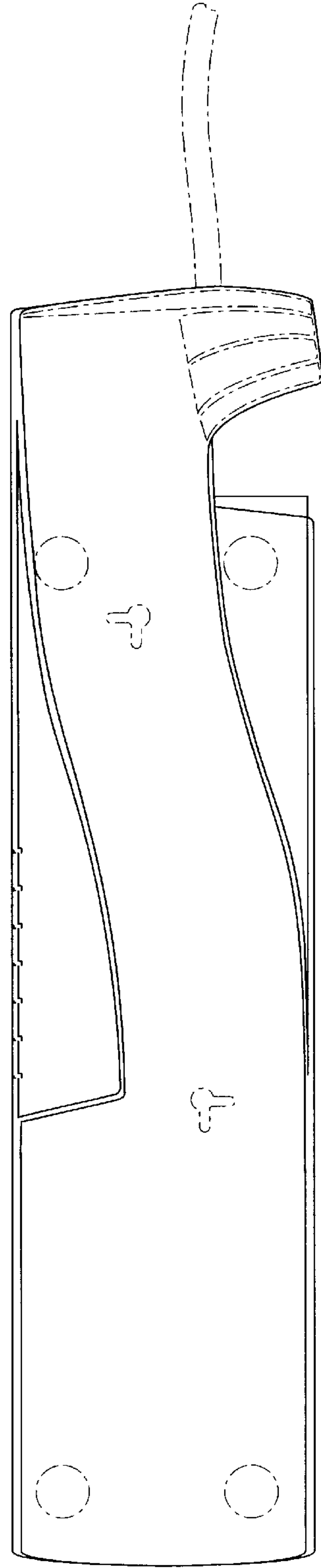


Fig. 3

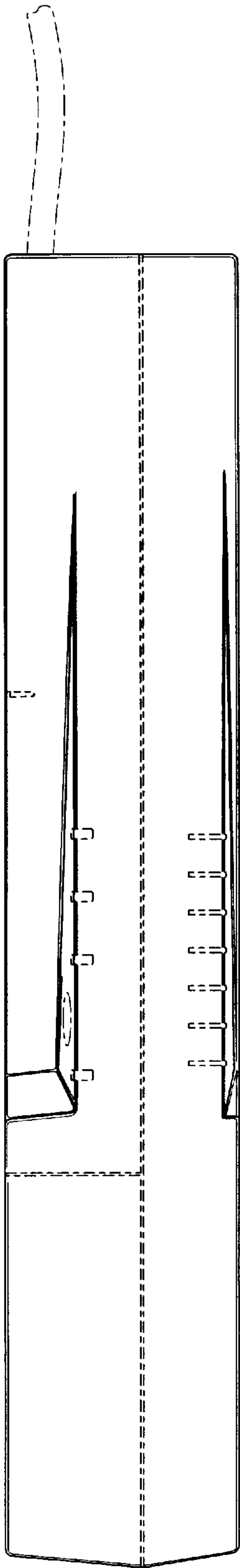


Fig. 4

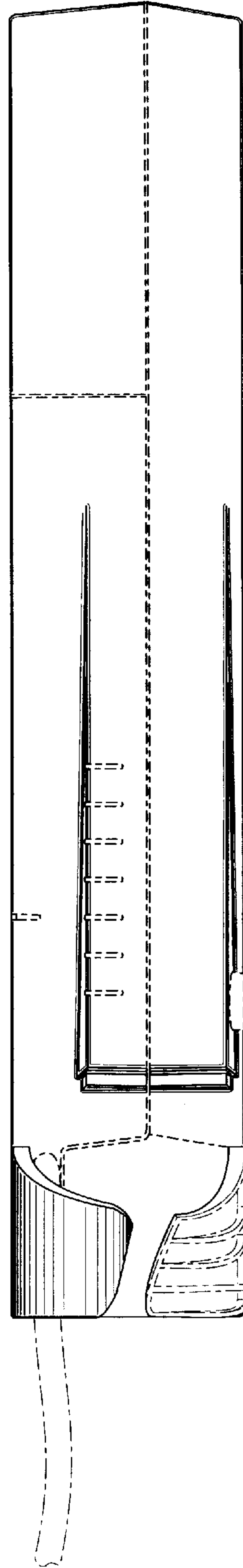


Fig. 5

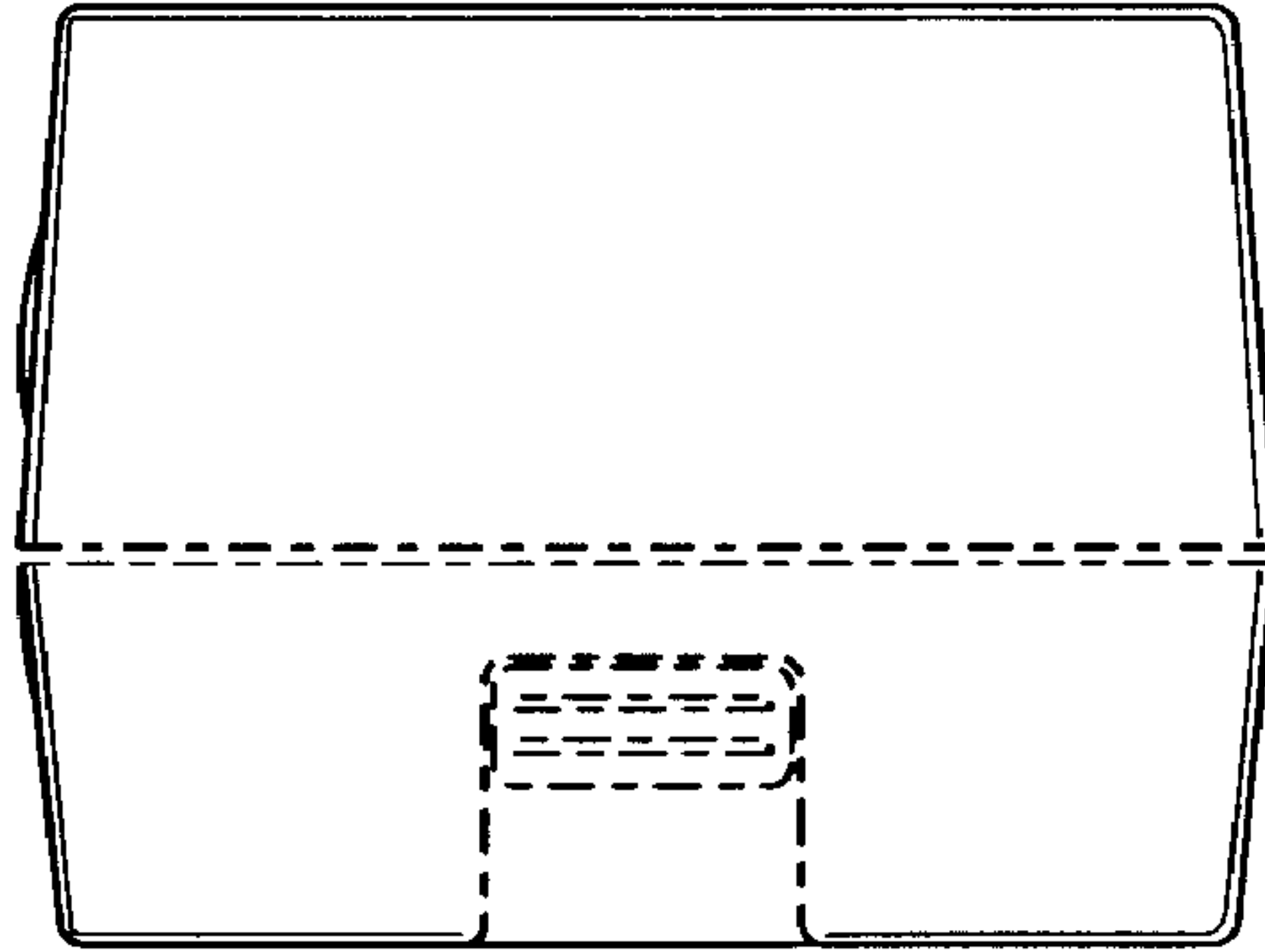


Fig. 6

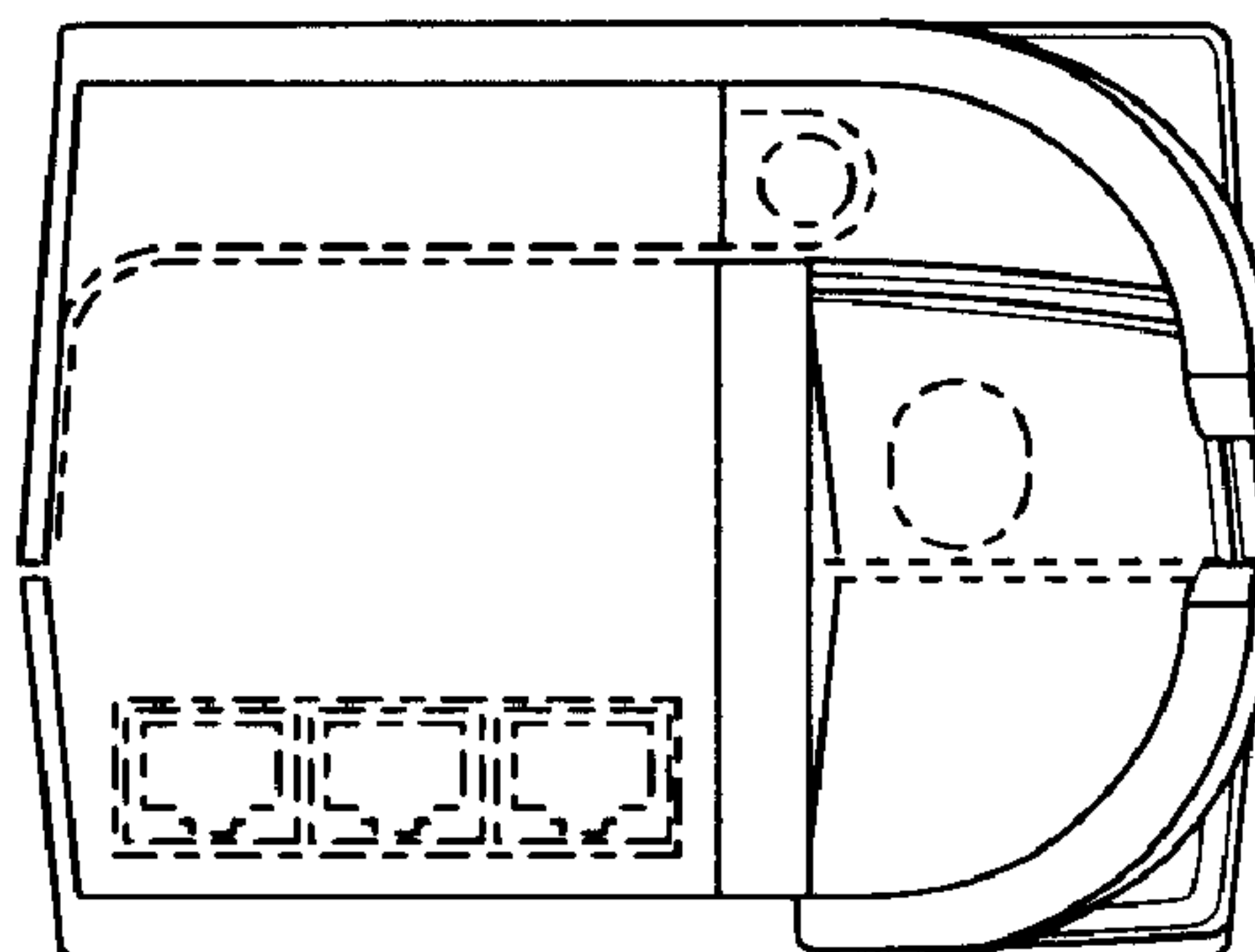


Fig. 7