



US00D458588S

(12) **United States Design Patent**
Welbes

(10) **Patent No.:** **US D458,588 S**

(45) **Date of Patent:** **** Jun. 11, 2002**

(54) **TIRE TREAD**

(75) Inventor: **Paul Welbes**, Schrondeweiler (LU)

(73) Assignee: **The Goodyear Tire & Rubber Company**, Akron, OH (US)

(**) Term: **14 Years**

(21) Appl. No.: **29/153,071**

(22) Filed: **Dec. 21, 2001**

(51) **LOC (7) Cl.** **12-15**

(52) **U.S. Cl.** **D12/603**

(58) **Field of Search** D12/560, 561,
D12/566, 567, 579, 596, 597, 600, 602,
603, 900; 152/209.1, 209.9, 209.12, 209.18,
209.25

(56) **References Cited**

U.S. PATENT DOCUMENTS

D344,704 S	*	3/1994	Himuro et al.	D12/602
D347,607 S	*	6/1994	Montag et al.	D12/603
D348,033 S	*	6/1994	Croissant	D12/600
D444,430 S	*	7/2001	Welbes et al.	D12/603
D445,733 S	*	7/2001	Guspodin et al.	D12/603
D446,482 S	*	8/2001	Fantanzo et al.	D12/603

OTHER PUBLICATIONS

BFGoodrich Comp T/A HR4 Tire, 2000 Tread Design Guide, Jan. 2000, p. 15. 1/4 & 1/5.*

* cited by examiner

Primary Examiner—Robert M. Spear

(74) *Attorney, Agent, or Firm*—David L. King

(57) **CLAIM**

The ornamental Design for a tire tread, as shown and described.

DESCRIPTION

FIG. 1 is a perspective view of a tire tread showing my new design, it being understood that the pattern repeats uniformly throughout the circumference of the tread;

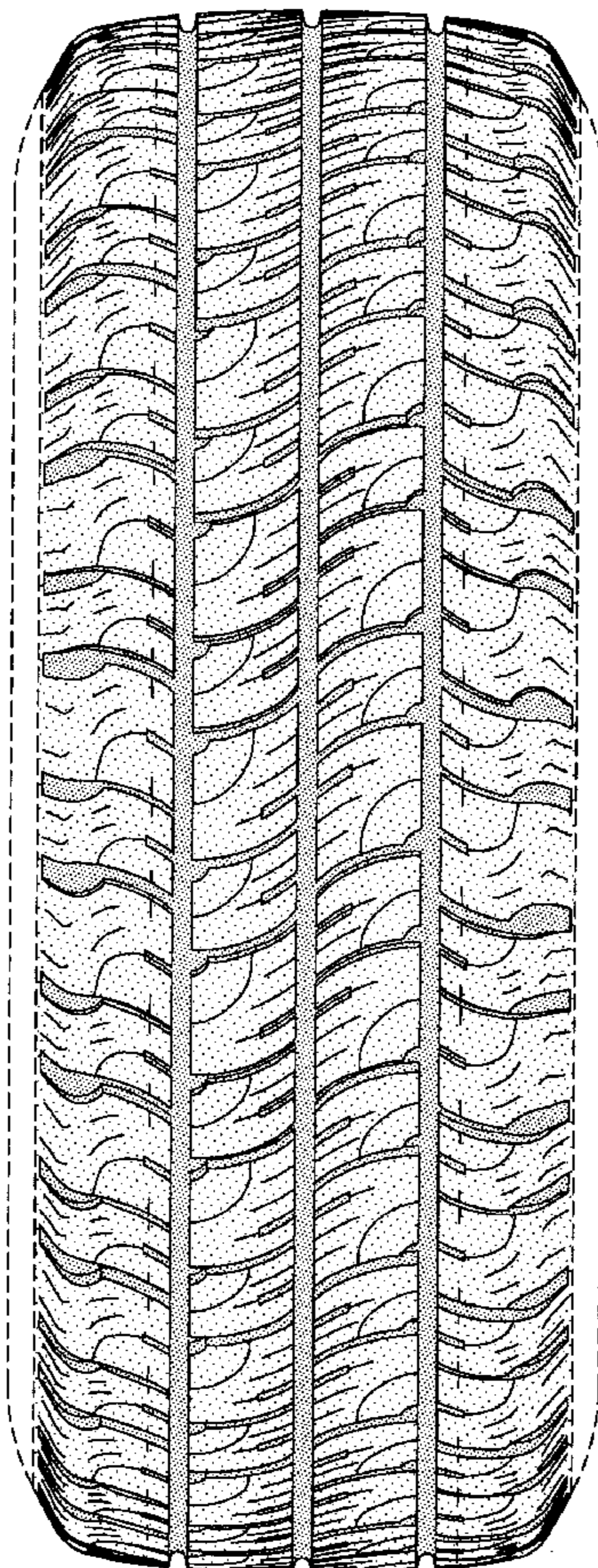
FIG. 2 is a front elevational view thereof;

FIG. 3 is a side elevational view thereof, the opposite side elevational view being identical thereto; and,

FIG. 4 is an enlarged fragmentary frontal view.

In the drawings, the broken lines defining the sidewall and inner bead and the peripheral boundary between the tire tread and the sidewall are for illustrative purposes only and form no part of the claimed design.

1 Claim, 4 Drawing Sheets



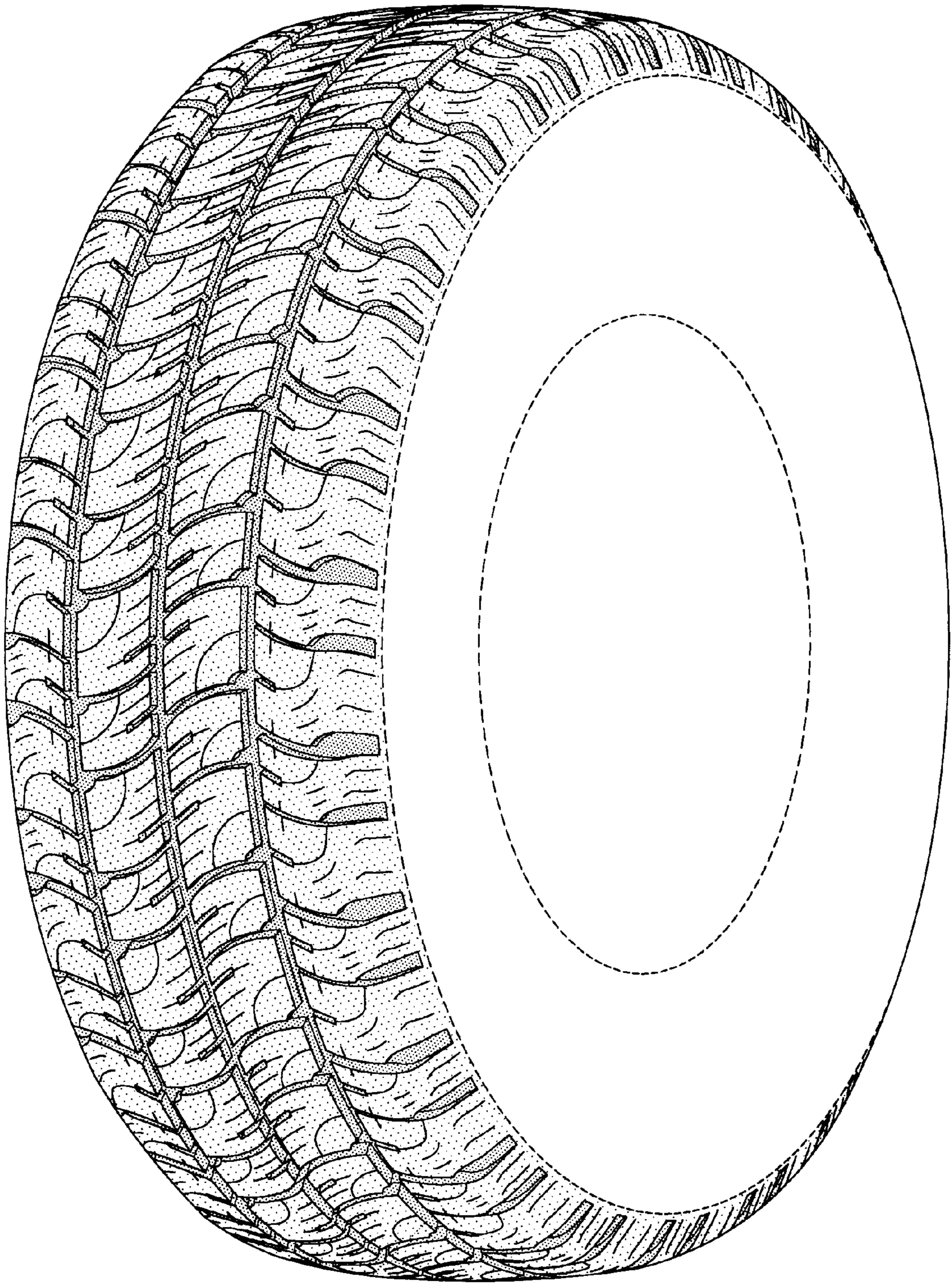


FIG-1

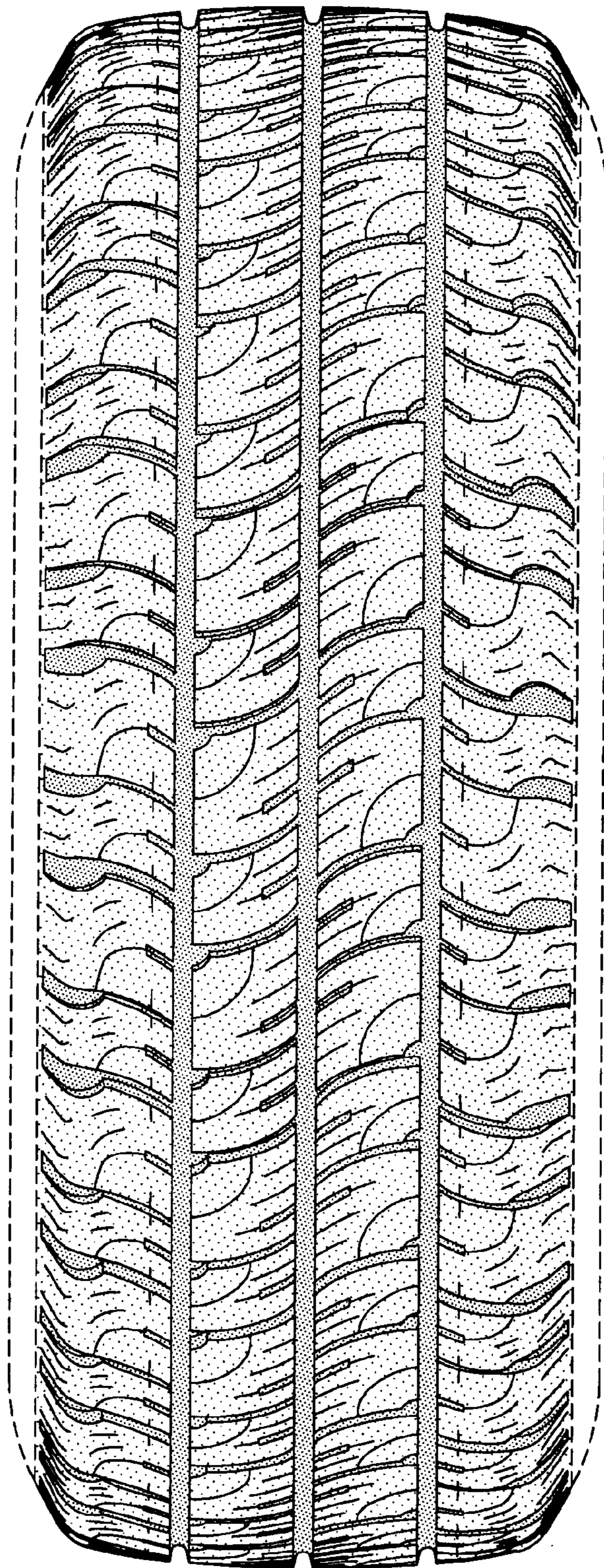


FIG-2

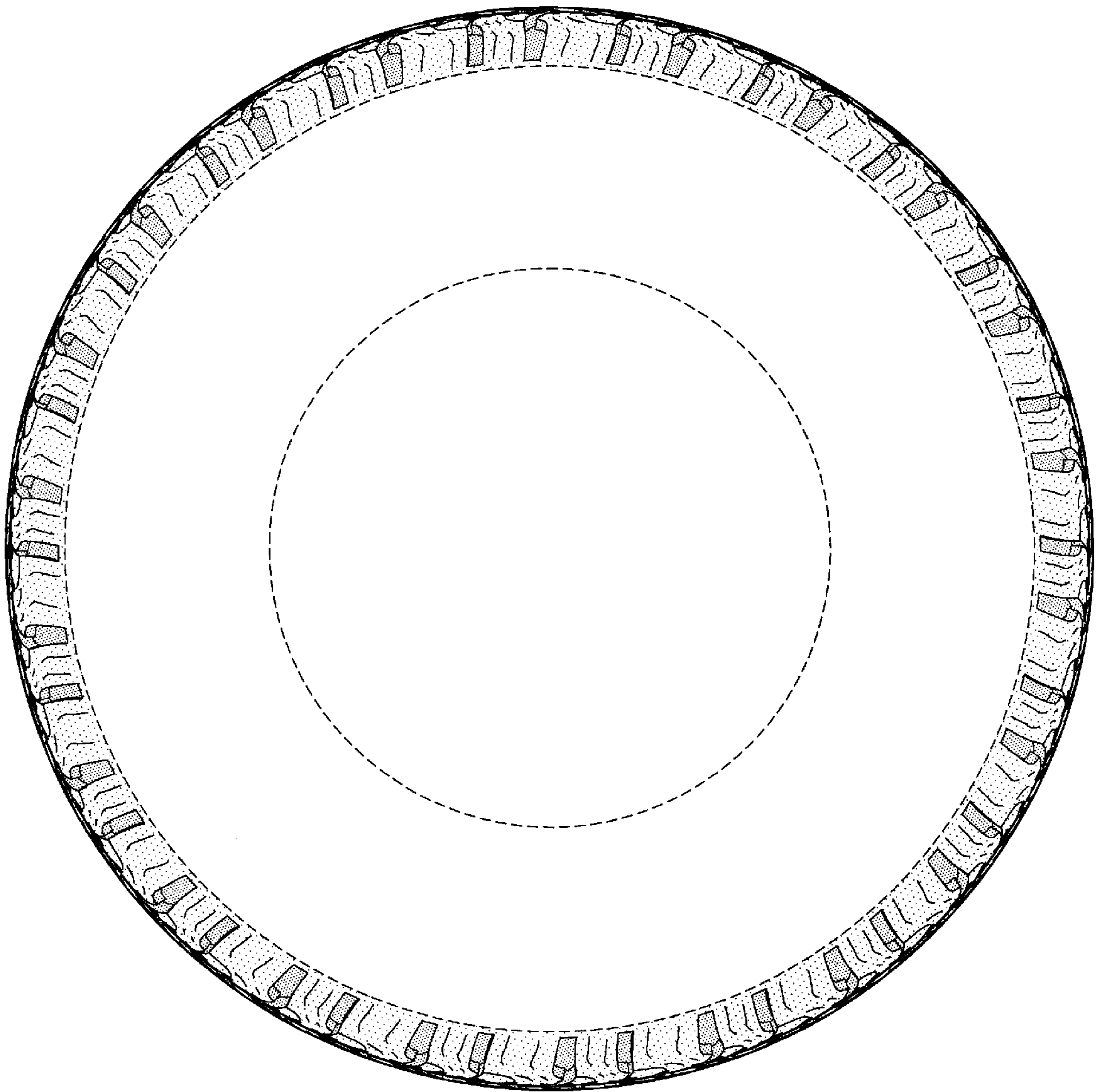


FIG-3

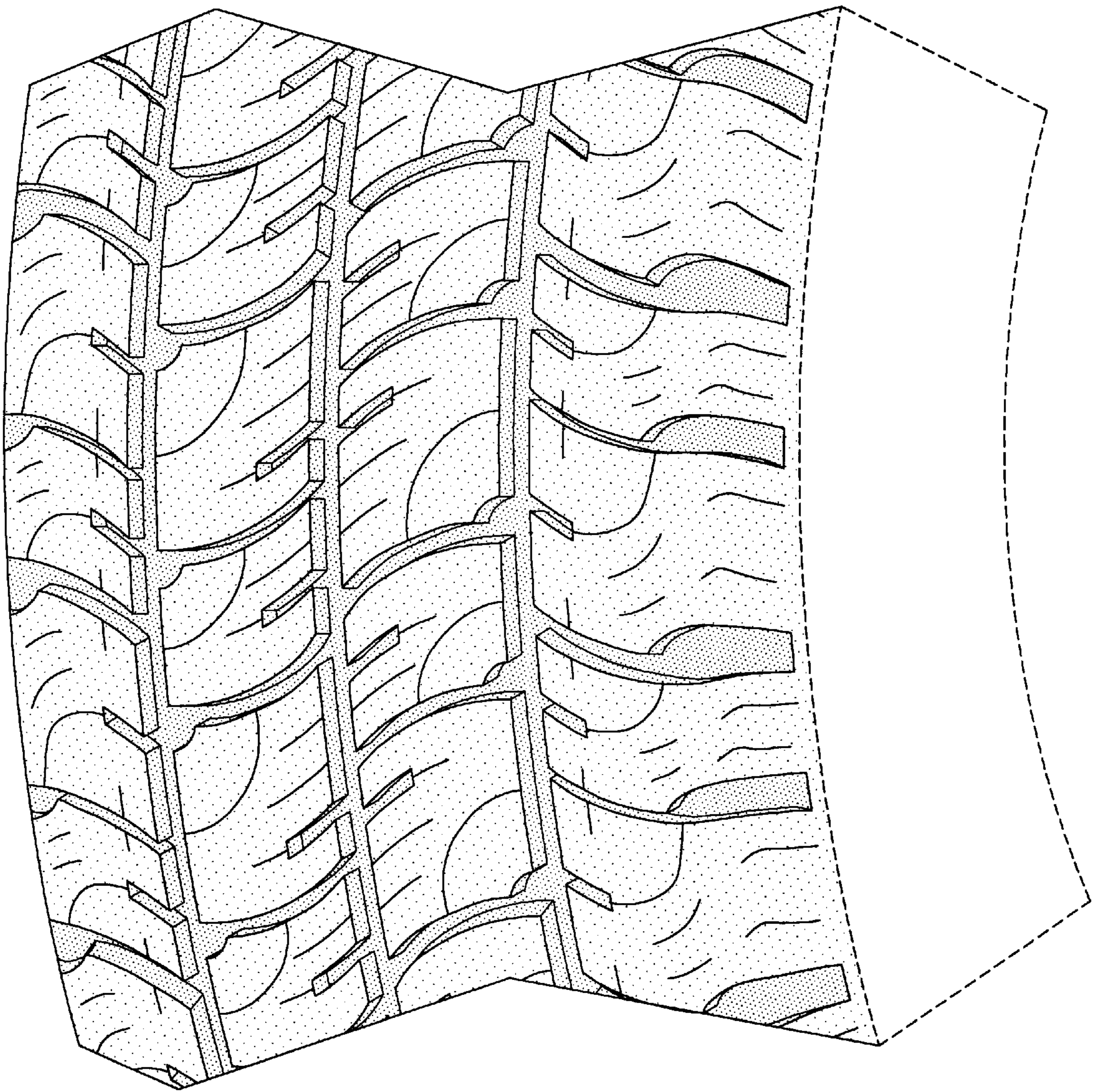


FIG-4