



US00D458579S

(12) **United States Design Patent**
Adams et al.

(10) **Patent No.:** **US D458,579 S**
(45) **Date of Patent:** **** Jun. 11, 2002**

(54) **HITCH MOUNTABLE CARGO CARRIER AND BIKE RACK**

(75) Inventors: **Katherine A. Adams**, Mishawaka;
Jason R. Moldthan, Osceola; **Richard W. McCoy**, Granger, all of IN (US)

(73) Assignee: **Reese Products, Inc.**, Elkhart, IN (US)

(**) Term: **14 Years**

(21) Appl. No.: **29/131,888**

(22) Filed: **Oct. 30, 2000**

Related U.S. Application Data

(63) Continuation-in-part of application No. 29/113,161, filed on Oct. 29, 1999, now Pat. No. Des. 436,575, which is a continuation-in-part of application No. 29/110,732, filed on Sep. 10, 1999, now Pat. No. Des. 437,285.

(51) **LOC (7) Cl.** **12-16**

(52) **U.S. Cl.** **D12/406**

(58) **Field of Search** D12/162, 406-408, D12/412-414.1; 224/511, 502-504, 527, 537, 532-533, 505, 518-519, 521-526, 528-530; 280/186, 163-166, 30, 39, 769

(56) **References Cited**

U.S. PATENT DOCUMENTS

D308,846 S * 6/1990 Eckhart D12/407

D336,876 S * 6/1993 Warnelov D12/407
D432,488 S * 10/2000 Roll et al. D12/406
D434,362 S * 11/2000 McCoy et al. D12/406
D435,495 S * 12/2000 McCoy et al. D12/162
D436,074 S * 1/2001 McCoy et al. D12/407
D436,575 S * 1/2001 McCoy et al. D12/406
D437,285 S * 2/2001 McCoy et al. D12/406
D445,757 S * 7/2001 Adams et al. D12/162
D446,755 S * 8/2001 Adams et al. D12/162

* cited by examiner

Primary Examiner—Stacia Cadmus

(74) *Attorney, Agent, or Firm*—John S. Cipolla; Ronald D. Gutt

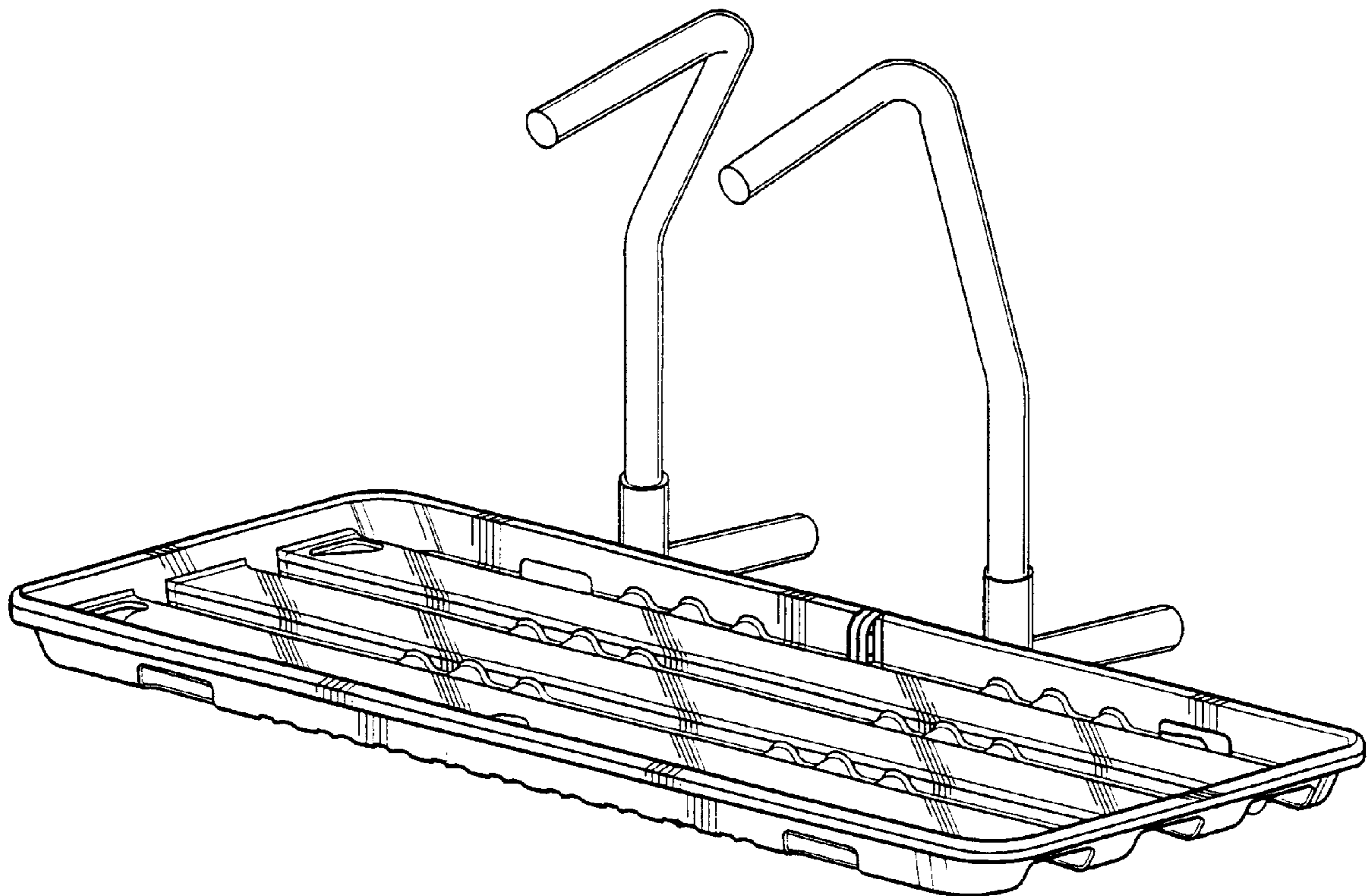
(57) **CLAIM**

The ornamental design for a hitch mountable cargo carrier and bike rack, as shown and described.

DESCRIPTION

FIG. 1 is a perspective view of the hitch mountable cargo carrier and bike rack showing our new design; FIG. 2 is a top plan view thereof; FIG. 3 is a rear elevational view thereof; FIG. 4 is a bottom plan view thereof; FIG. 5 is a left side elevational view thereof, the right side being a mirror image of the left shown; and, FIG. 6 is a front elevational view thereof.

1 Claim, 3 Drawing Sheets



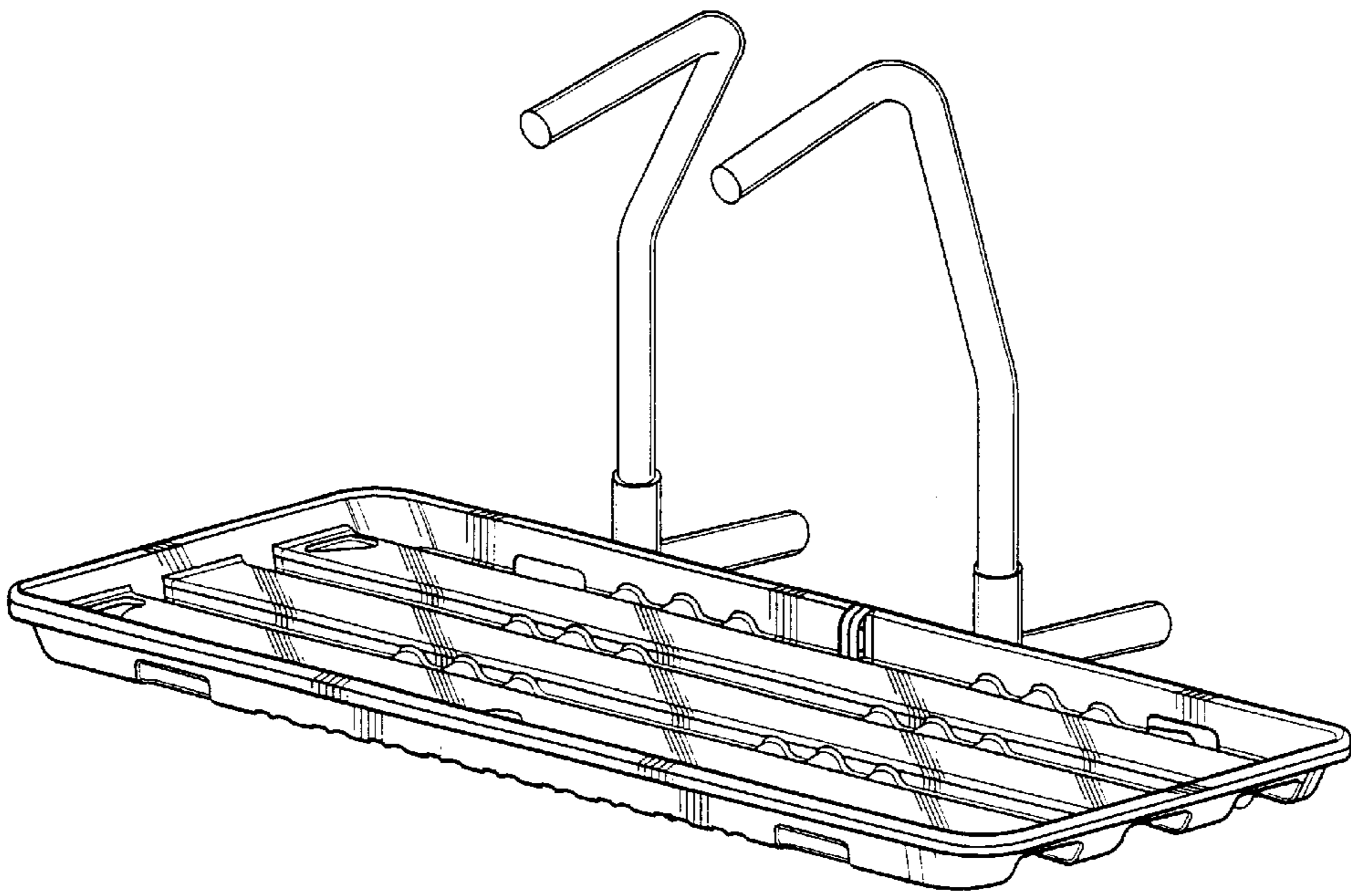


Fig-1

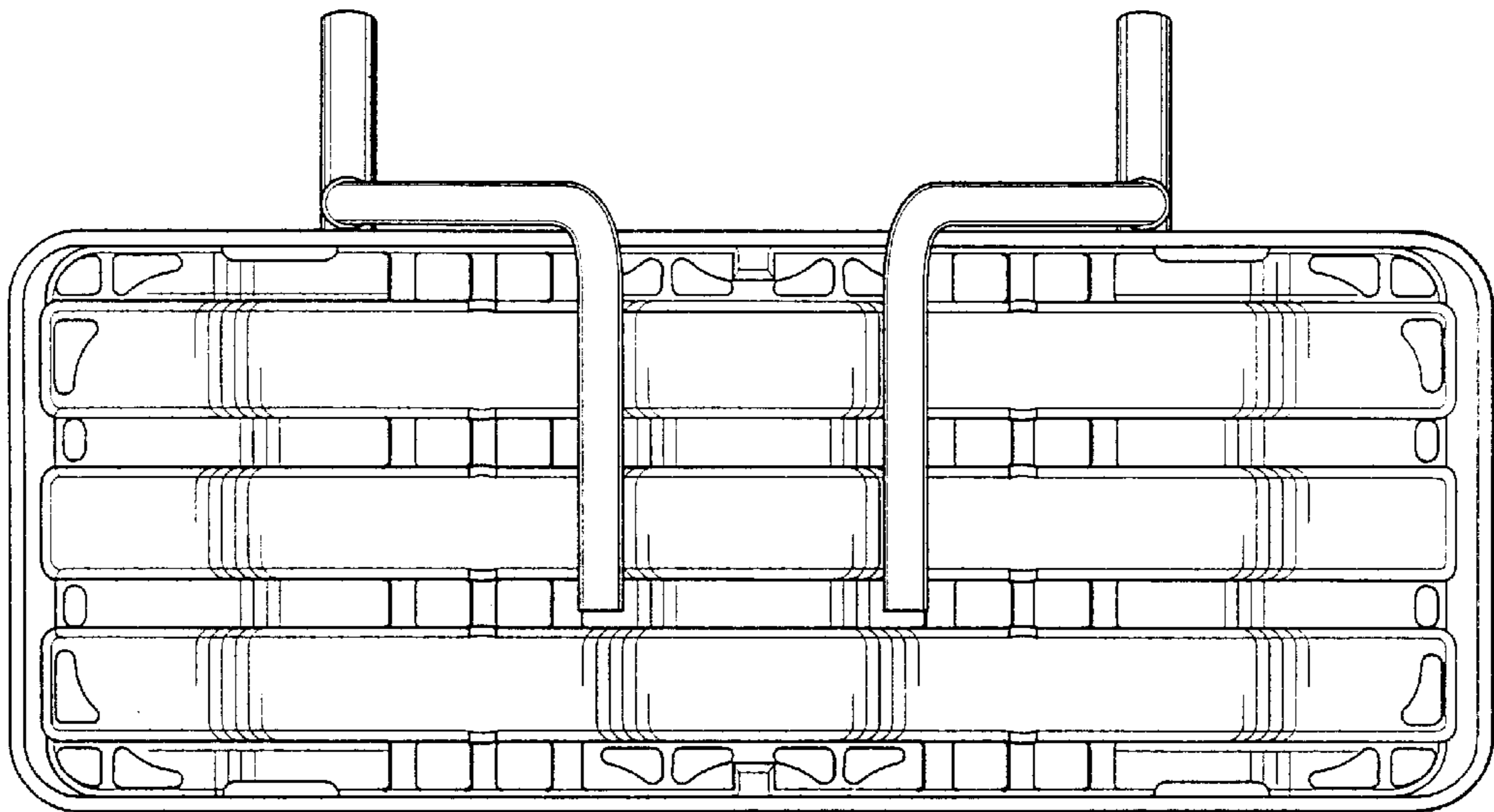


Fig-2

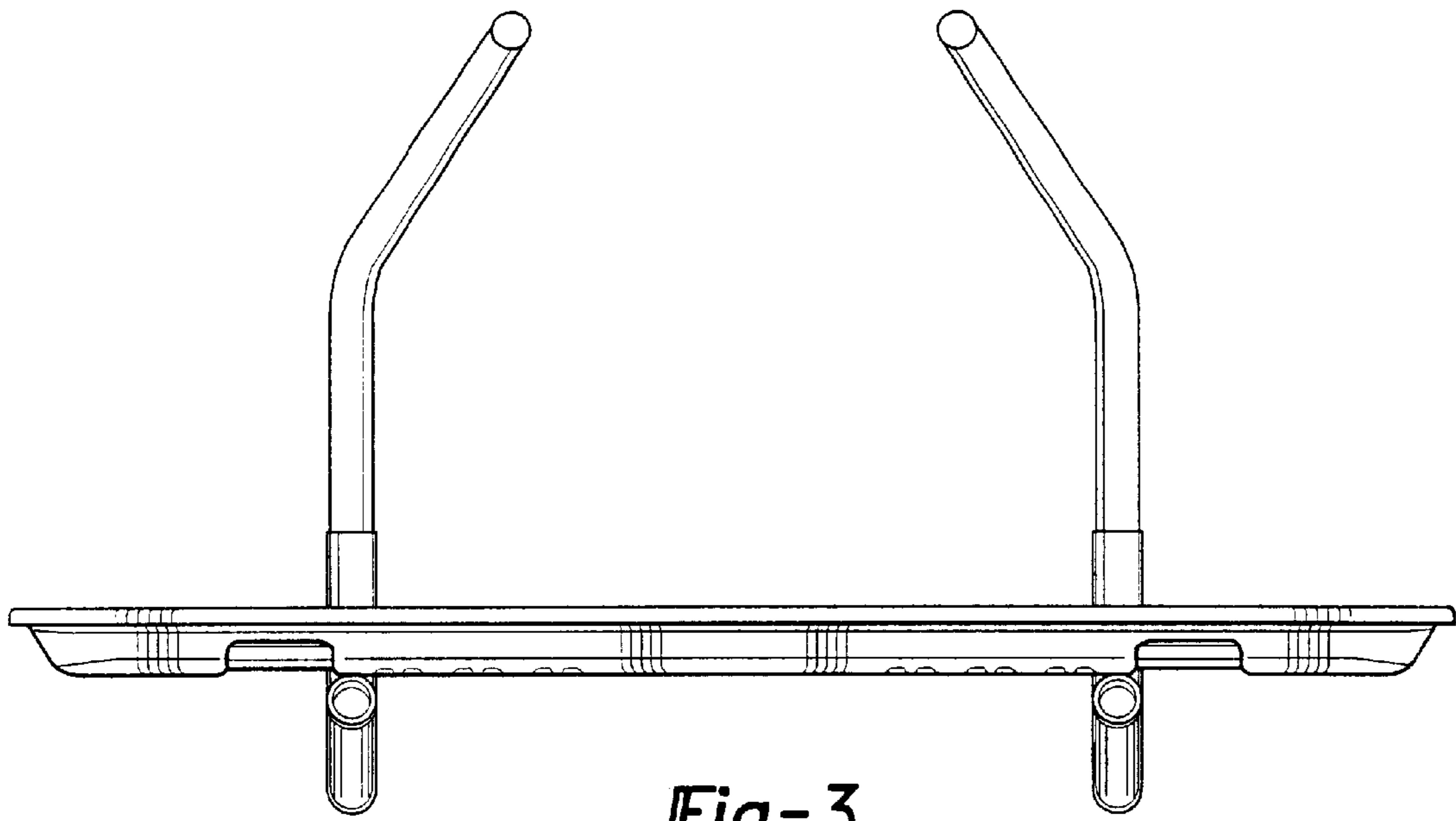


Fig-3

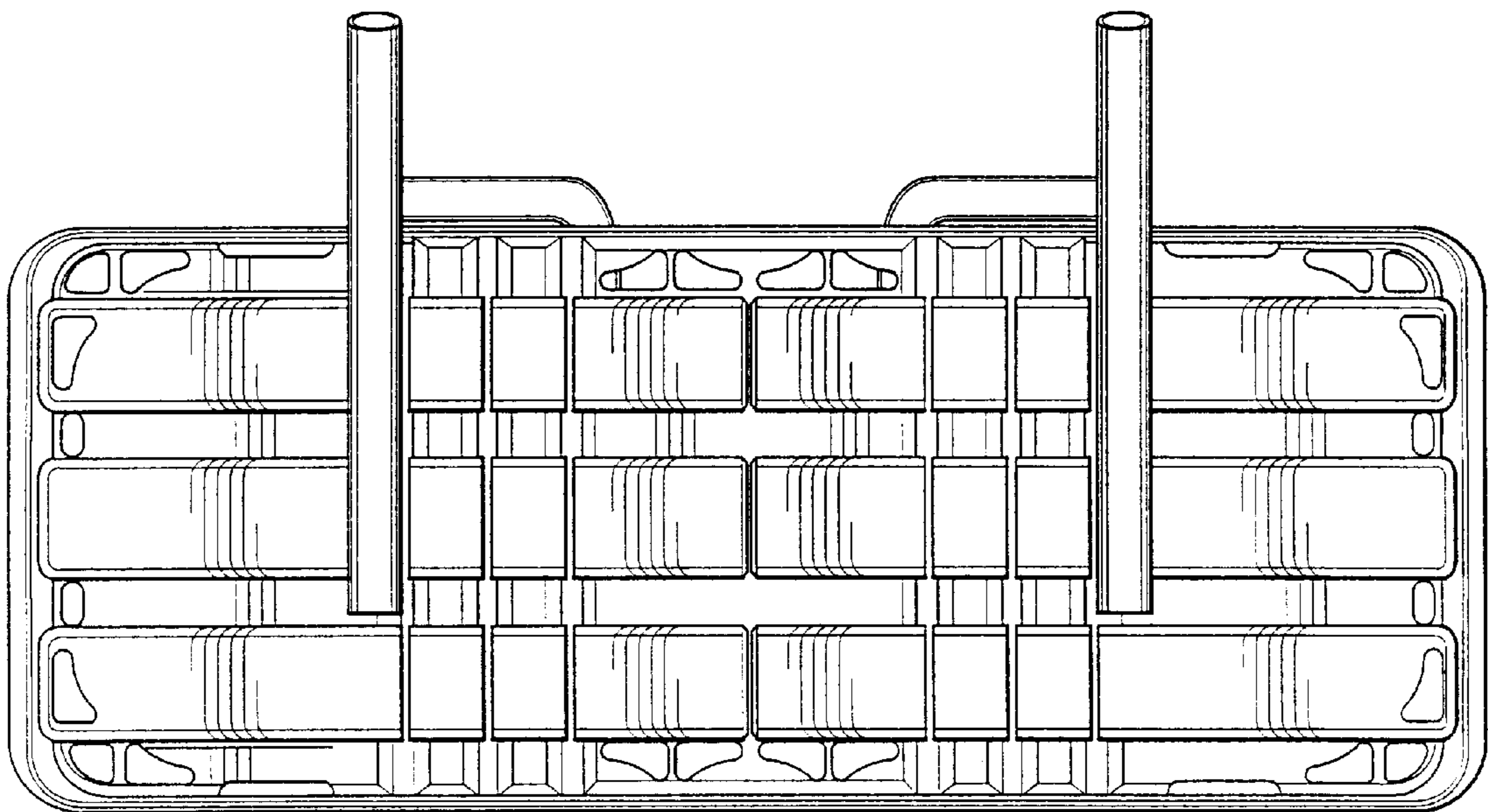


Fig-4

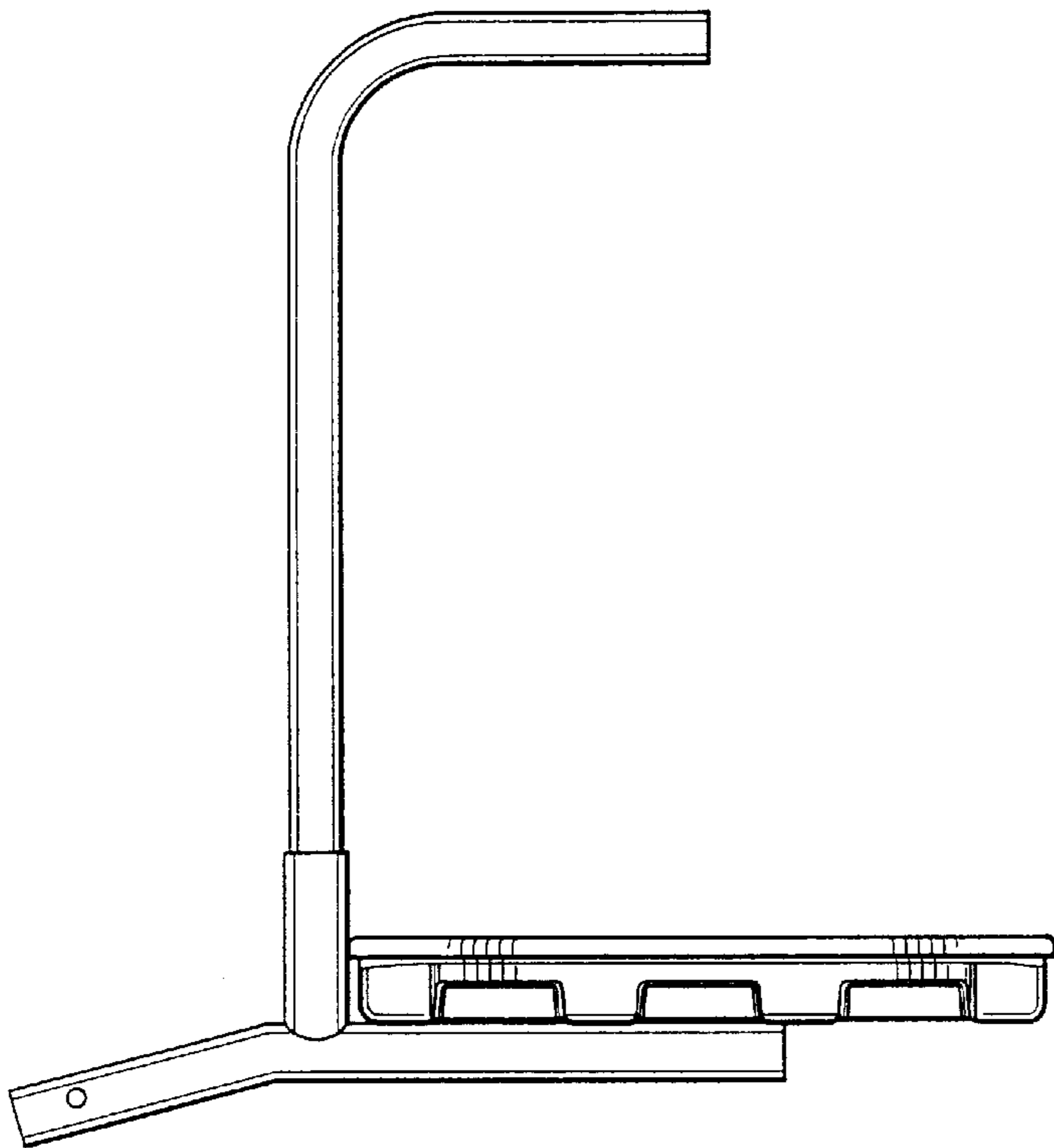


Fig-5

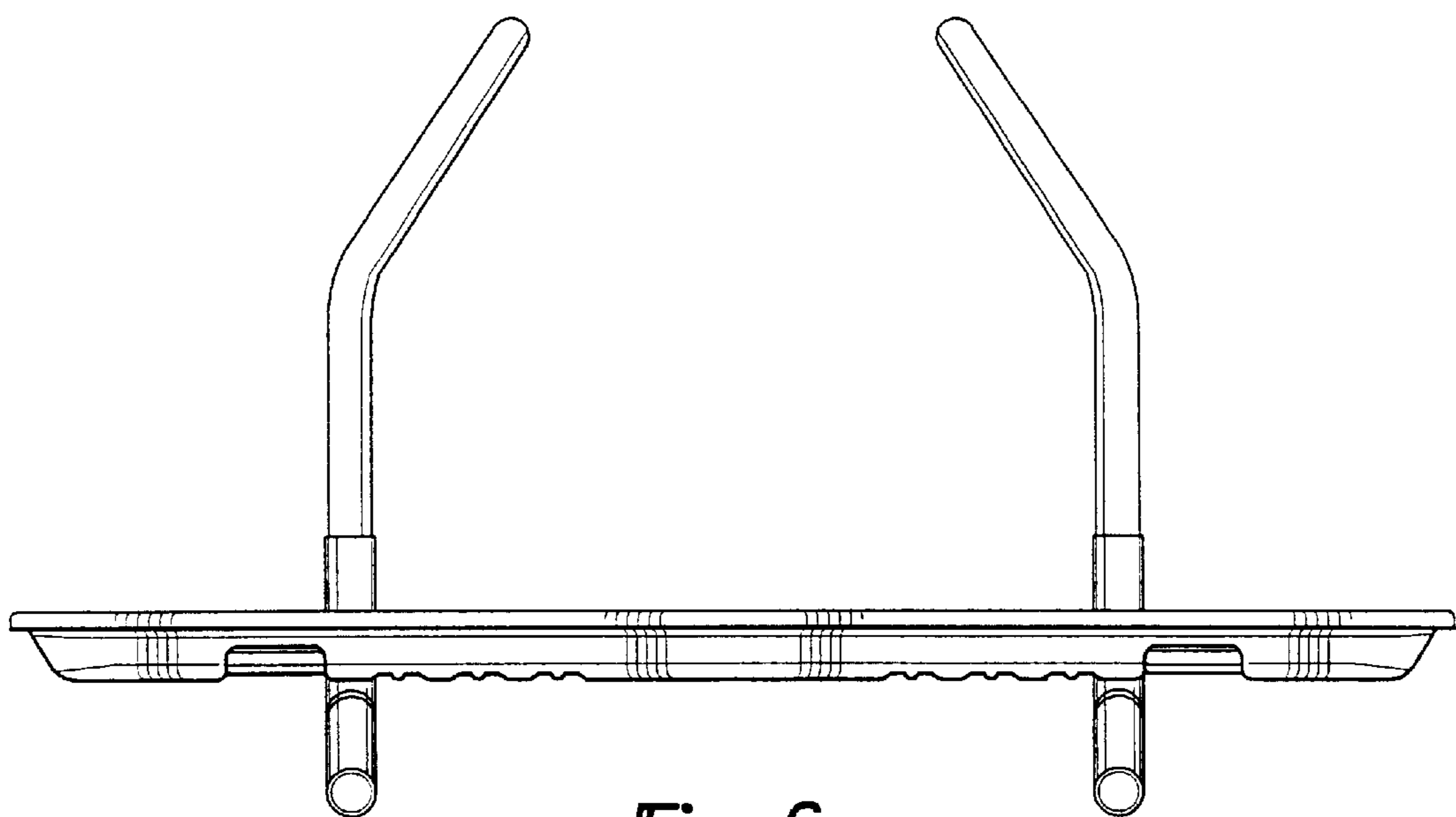


Fig-6