



US00D458576S

(12) **United States Design Patent**
McCoy et al.

(10) **Patent No.:** **US D458,576 S**

(45) **Date of Patent:** **** Jun. 11, 2002**

(54) **SUPPORT ARM**

D397,067 S * 8/1998 McCoy et al. D12/162
6,189,458 B1 2/2001 Rivera

(75) Inventors: **Richard W. McCoy**, Granger; **Jason R. Moldthan**, Osceola; **Katherine A. Adams**, Mishawaka, all of IN (US)

OTHER PUBLICATIONS

Support Arm, U.S. Provisional Patent Application Ser. No. 60/243,384 filed Oct. 26, 2000; inventors: Richard W. McCoy, Jason R. Moldthan and Katherine A. Adams.

(73) Assignee: **Reese Products, Inc.**, Elkhart, IN (US)

(**) Term: **14 Years**

* cited by examiner

(21) Appl. No.: **29/142,828**

Primary Examiner—Doris V. Coles

(22) Filed: **Jun. 2, 2001**

Assistant Examiner—Elizabeth A. Albert

(51) **LOC (7) Cl.** **12-06**

(74) *Attorney, Agent, or Firm*—King & Schickli, PLLC

(52) **U.S. Cl.** **D12/223**; D12/162; D8/354

(58) **Field of Search** D8/16, 19, 349,
D8/354, 355, 373, 380; D12/106, 406,
408, 162, 223; 224/488, 489, 495, 501;
248/252, 317; 280/407, 477, 35

(57) **CLAIM**

The ornamental design for a support arm, as shown and described.

(56) **References Cited**

DESCRIPTION

U.S. PATENT DOCUMENTS

3,757,975 A	9/1973	Sneider	
D282,451 S	* 2/1986	Richardson D8/16
D287,916 S	* 1/1987	DelGarbino et al. D8/373
5,518,159 A	* 5/1996	DeGuevara 224/488
5,527,146 A	6/1996	Allsop et al.	
5,685,686 A	11/1997	Burns	

FIG. 1 is a perspective view of the support arm of the present invention;

FIG. 2 is a left side elevational view, the right side elevational being a substantial mirror image thereof;

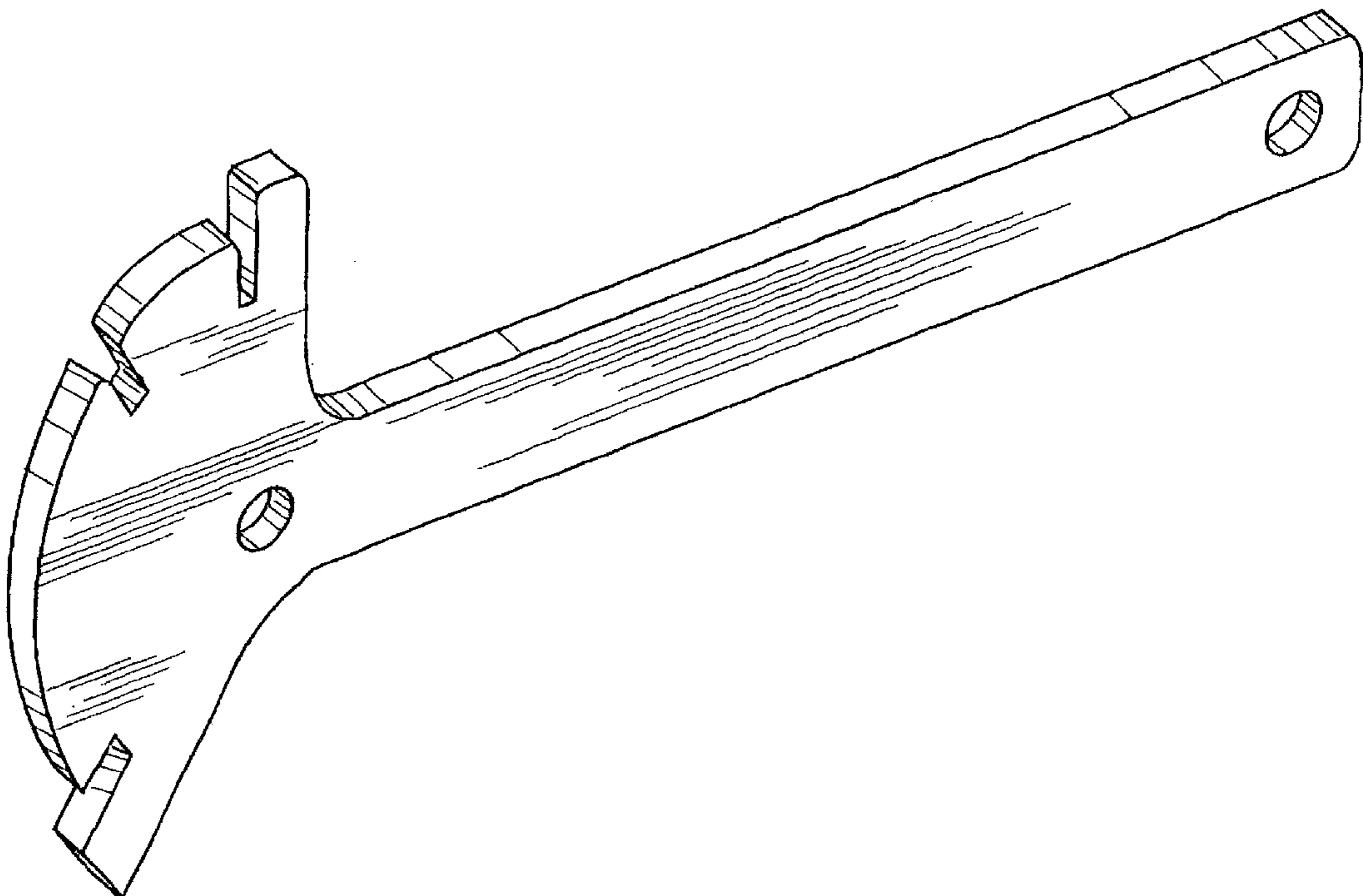
FIG. 3 is a front elevational view thereof;

FIG. 4 is a bottom plan view thereof.

FIG. 5 is a rear elevational view thereof; and,

FIG. 6 is a top plan view thereof.

1 Claim, 2 Drawing Sheets



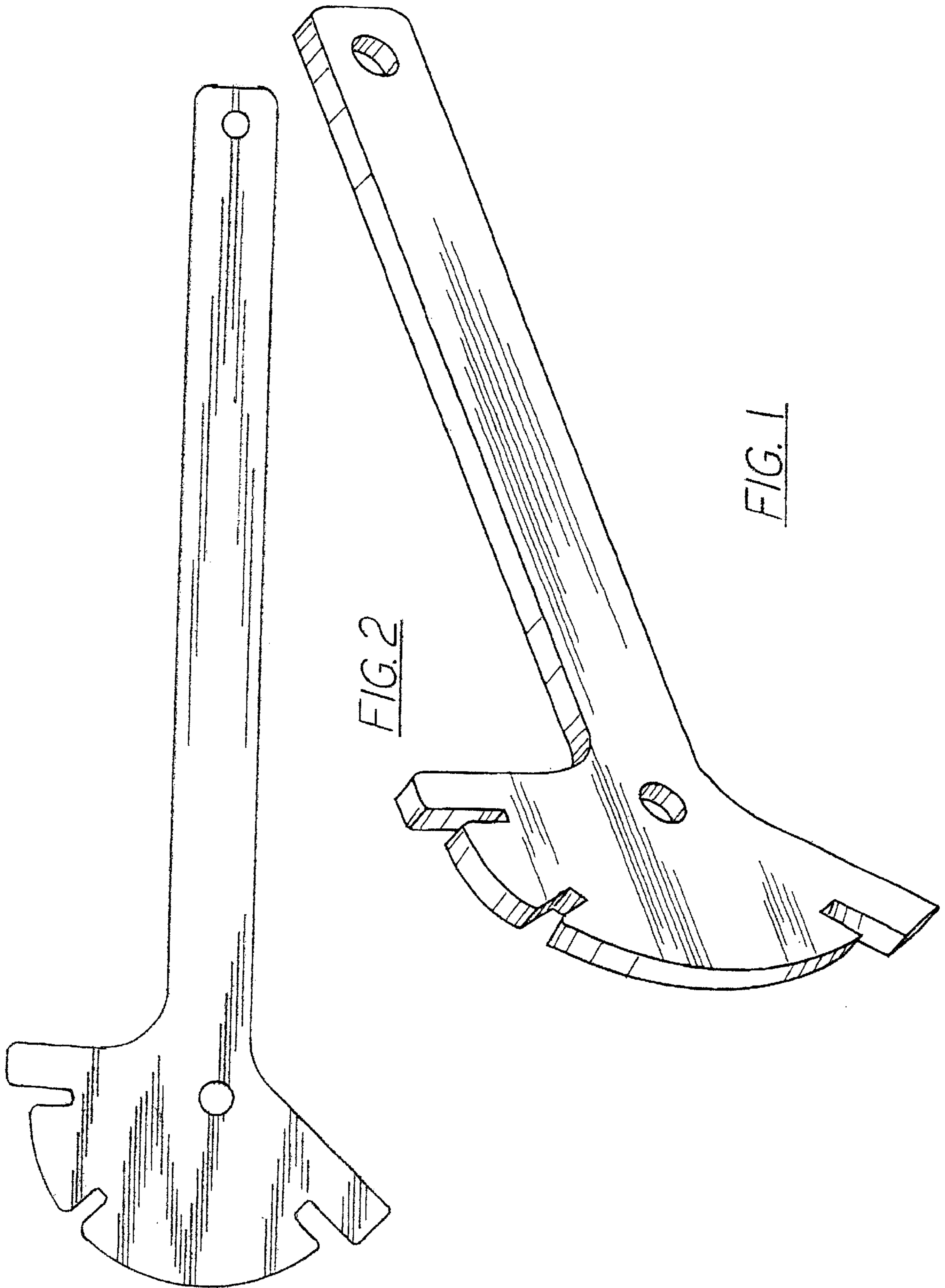


FIG. 2

FIG. 1

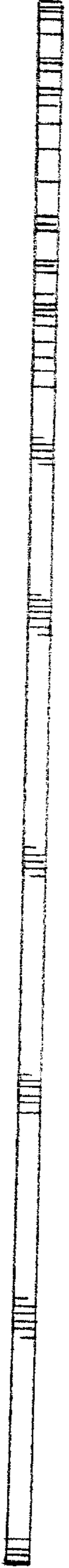


FIG. 5

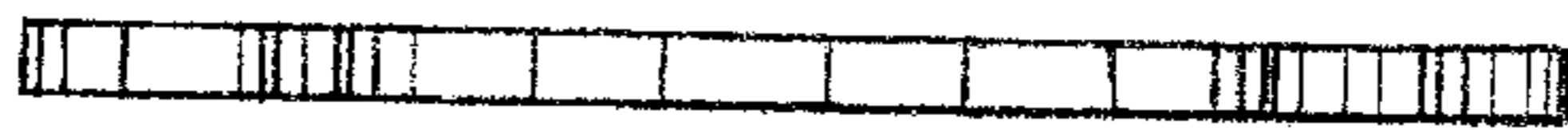


FIG. 6

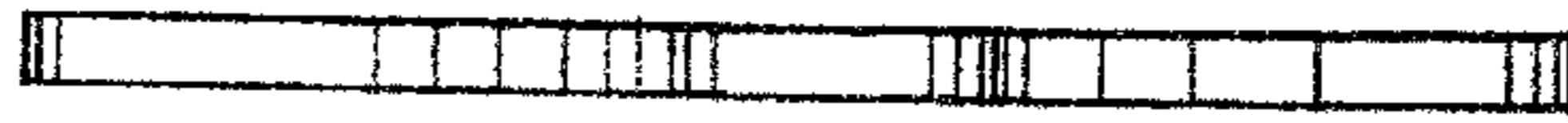


FIG. 4



FIG. 3