



US00D458575S

(12) **United States Design Patent**
Corr

(10) **Patent No.:** **US D458,575 S**

(45) **Date of Patent:** **** Jun. 11, 2002**

(54) **REMOVABLE STORAGE DECK FOR VEHICLES**

Primary Examiner—Melody N. Brown
(74) *Attorney, Agent, or Firm*—Kenneth A. Robby

(76) **Inventor:** **Caven W. Corr**, 72 Charles Ave.,
Baytown, TX (US) 77520

(57) **CLAIM**

The ornamental design for a removable storage deck for vehicles, as shown and described.

(**) **Term:** **14 Years**

DESCRIPTION

(21) **Appl. No.:** **29/142,967**

FIG. 1 is a perspective view of a first embodiment of a removable storage deck for vehicles, shown from the top, one end, and one side, the opposite side being a mirror image of that shown;

(22) **Filed:** **Jun. 5, 2001**

FIG. 2 is a perspective view thereof, shown from the bottom, side, and the end opposite that shown in FIG. 1;

(51) **LOC (7) Cl.** **12-16**

(52) **U.S. Cl.** **D12/221**

(58) **Field of Search** D12/221, 423;
296/183, 99.1, 39.1, 39.2; 280/423.1

FIG. 3 is a perspective view of a second embodiment of the removable storage deck for vehicles, shown from the top, one end, and one side, the opposite side being a mirror image of that shown; and,

(56) **References Cited**

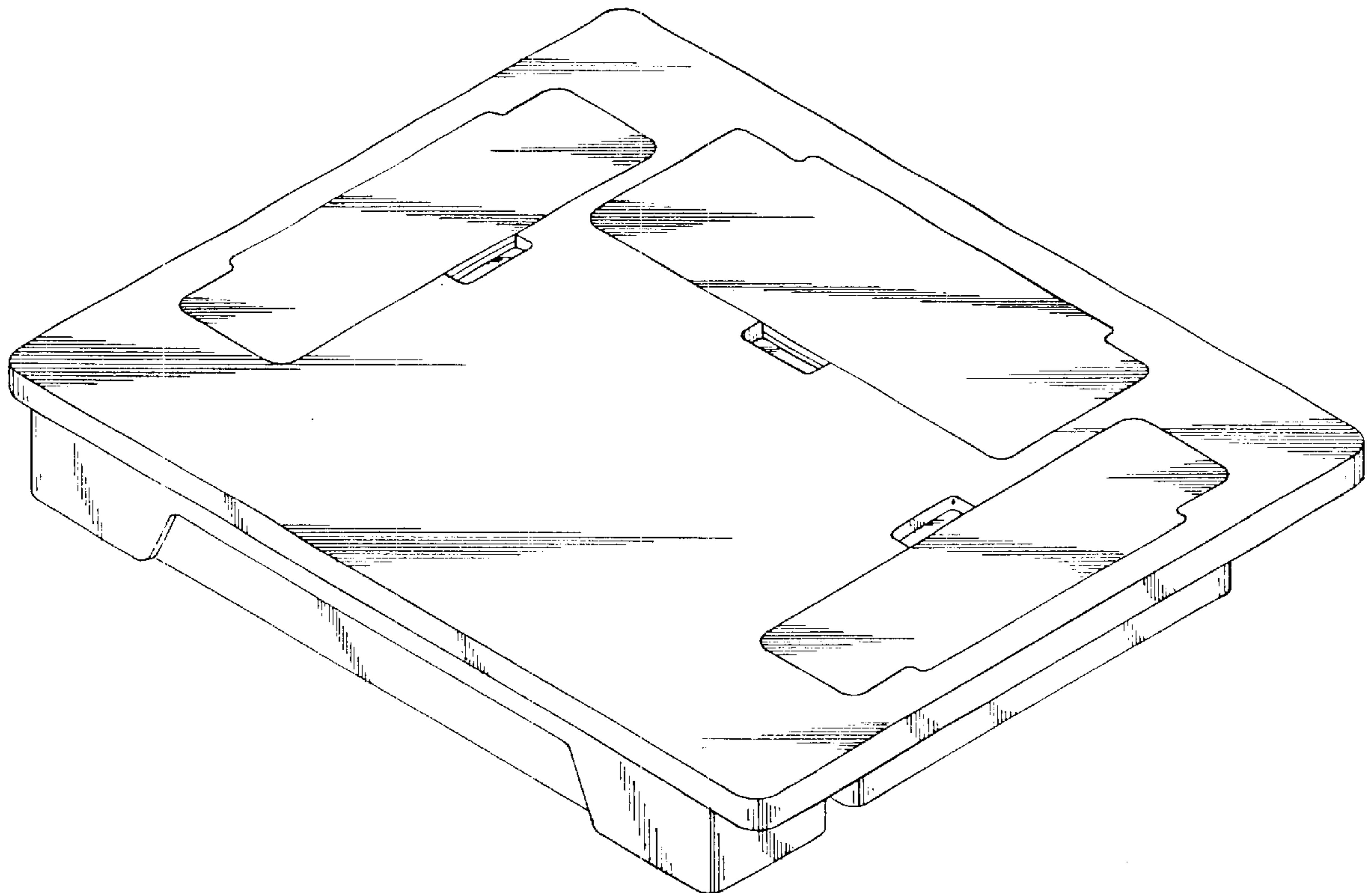
U.S. PATENT DOCUMENTS

D325,716 S	*	4/1992	Larson	D12/221
D378,671 S	*	4/1997	Herrs	D12/423 X
D384,185 S	*	9/1997	Oertwig	D12/423
D398,282 S	*	9/1998	Dirks	D12/221
D398,575 S	*	9/1998	Blanton	D12/221

FIG. 4 is a perspective view thereof, shown from the bottom, side, and the end opposite that shown in FIG. 3.

* cited by examiner

1 Claim, 2 Drawing Sheets



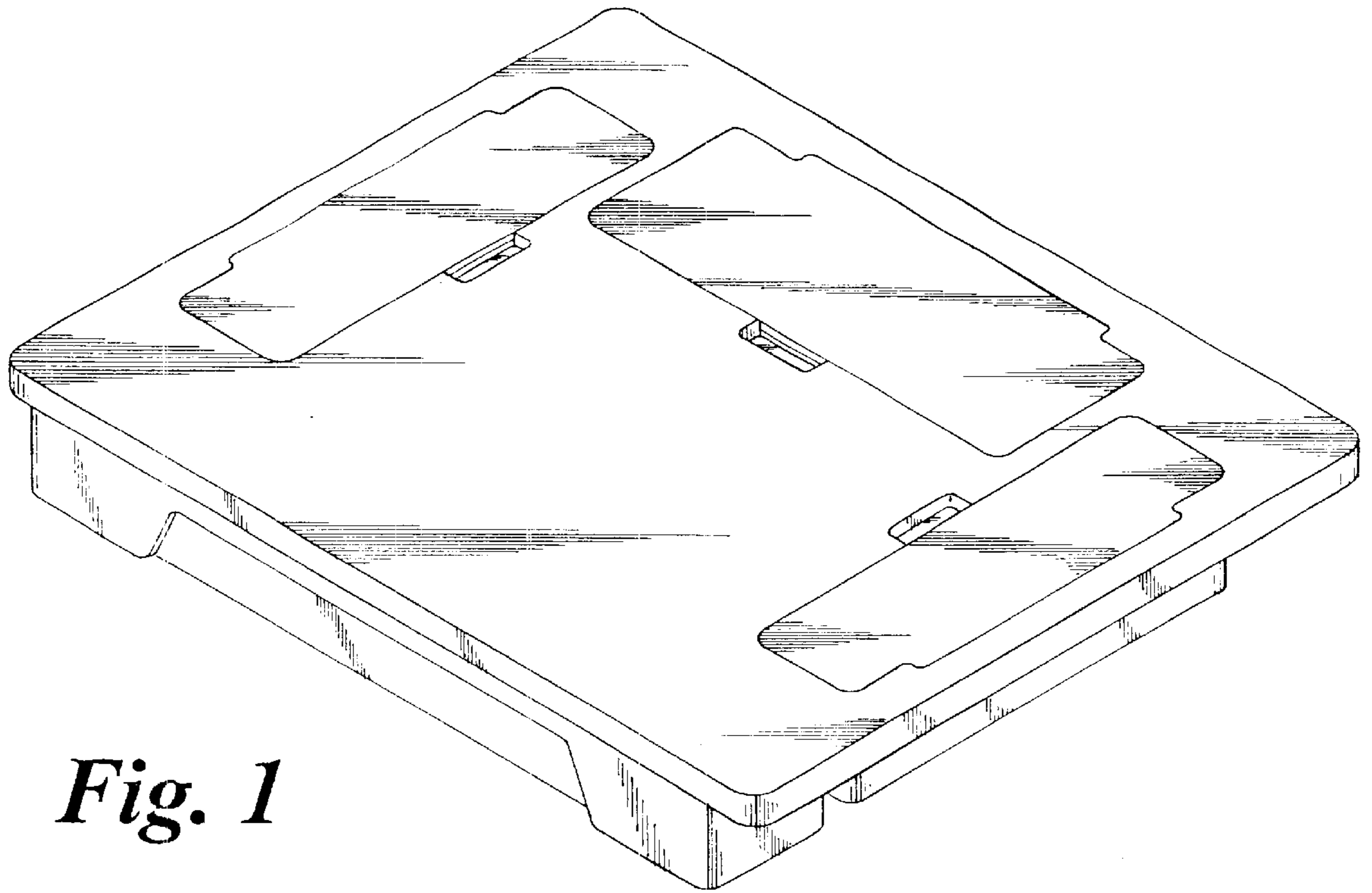


Fig. 1

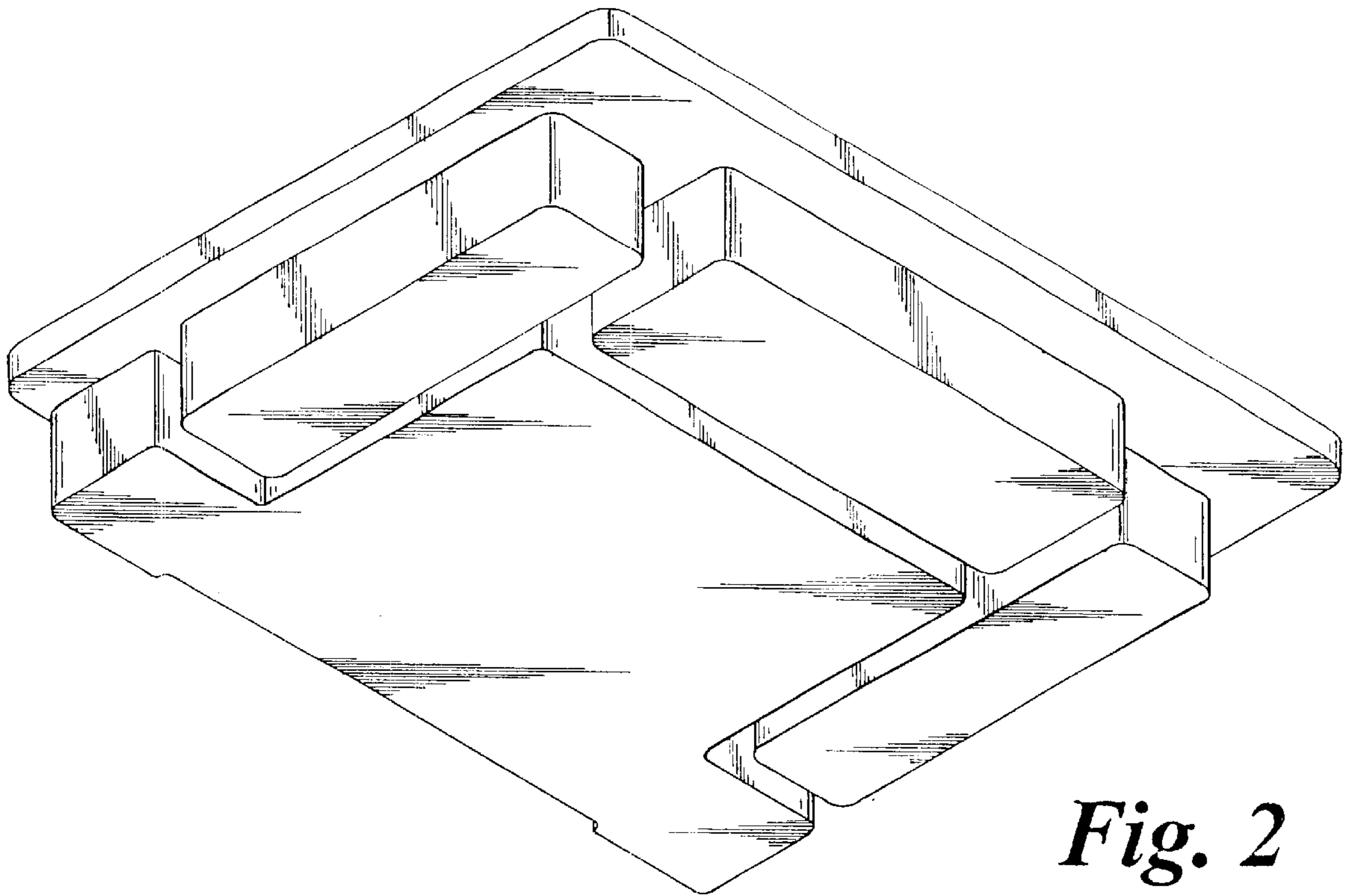


Fig. 2

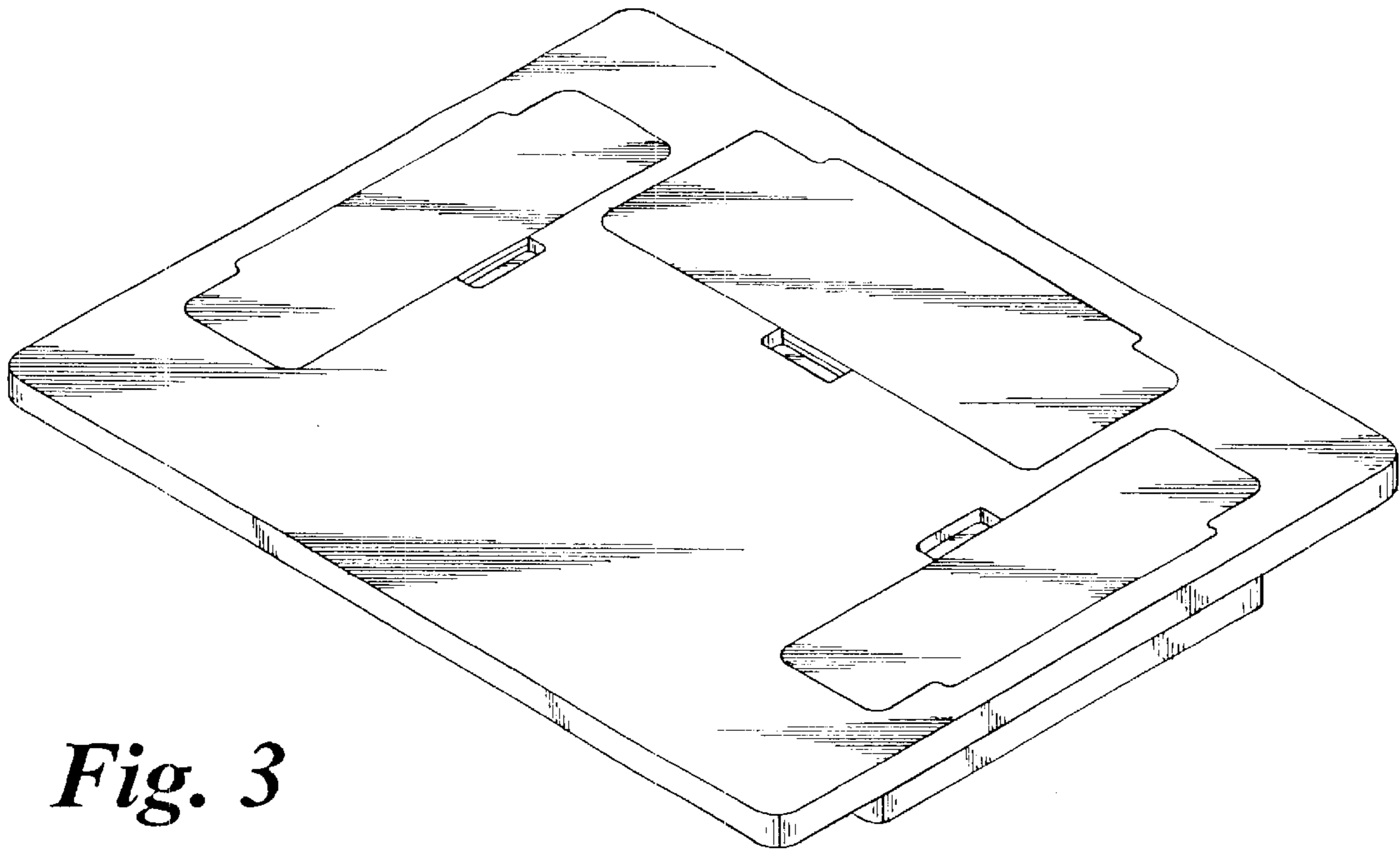


Fig. 3

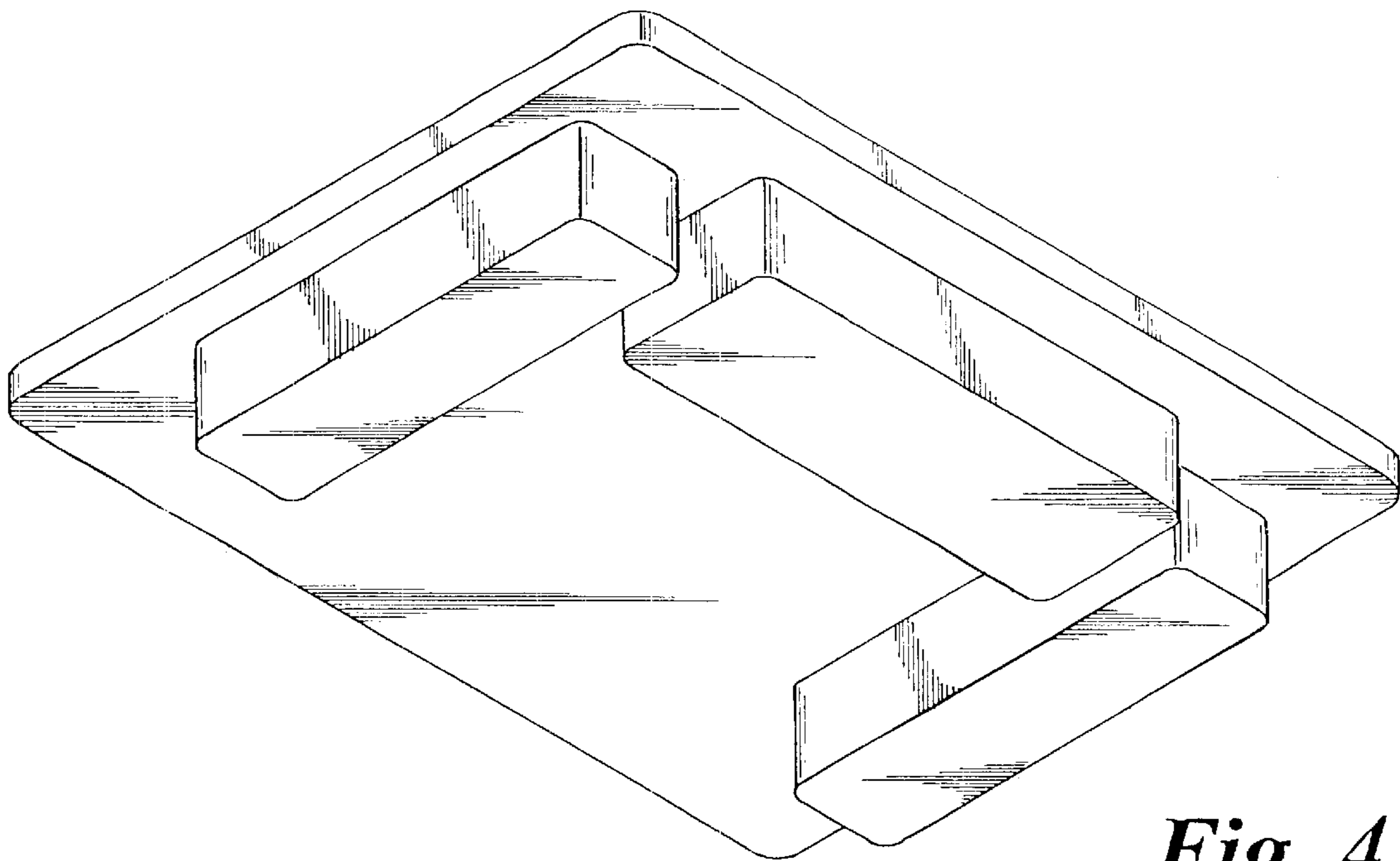


Fig. 4