



US00D458574S

(12) **United States Design Patent**  
**Kaucher**

(10) **Patent No.:** **US D458,574 S**

(45) **Date of Patent:** **\*\* Jun. 11, 2002**

(54) **WHEEL**

(75) **Inventor:** **Keith Martin Kaucher**, Santa Monica,  
CA (US)

(73) **Assignee:** **Ultra Wheel Co.**, Buena Park, CA (US)

(\*\*) **Term:** **14 Years**

(21) **Appl. No.:** **29/136,434**

(22) **Filed:** **Jan. 30, 2001**

(51) **LOC (7) Cl.** ..... **12-16**

(52) **U.S. Cl.** ..... **D12/211**

(58) **Field of Search** ..... **D12/204-211;**  
**301/37.1, 64.1, 65**

(56) **References Cited**

**U.S. PATENT DOCUMENTS**

D204,669 S	*	5/1966	Goodwin	.....	D12/211
D208,541 S	*	9/1967	Rader	.....	D12/211
3,726,672 A	*	4/1973	Lindberg et al.	.....	301/64.1
D241,830 S	*	10/1976	Patch	.....	D12/211
D359,938 S	*	7/1995	Chien	.....	D12/209
D396,839 S	*	8/1998	Cullen	.....	D12/211
D408,774 S	*	4/1999	Nishida	.....	D12/209

D412,693 S	*	8/1999	Kulla	.....	D12/211
D419,517 S	*	1/2000	Sacco et al.	.....	D12/211
D423,441 S	*	4/2000	Bildhaeuser	.....	D12/209
D431,807 S	*	10/2000	Fitzgerald	.....	D12/211
D432,970 S	*	10/2000	Pfeiffer et al.	.....	D12/209
D442,905 S	*	5/2001	Herrera	.....	D12/209
D446,761 S	*	8/2001	Kulla	.....	D12/209

\* cited by examiner

*Primary Examiner*—Stacia Cadmus

(74) *Attorney, Agent, or Firm*—Christie, Parker & Hale,  
LLP

(57) **CLAIM**

The ornamental design for a wheel, as shown and described.

**DESCRIPTION**

FIG. 1 is a perspective view of a wheel showing my new design;

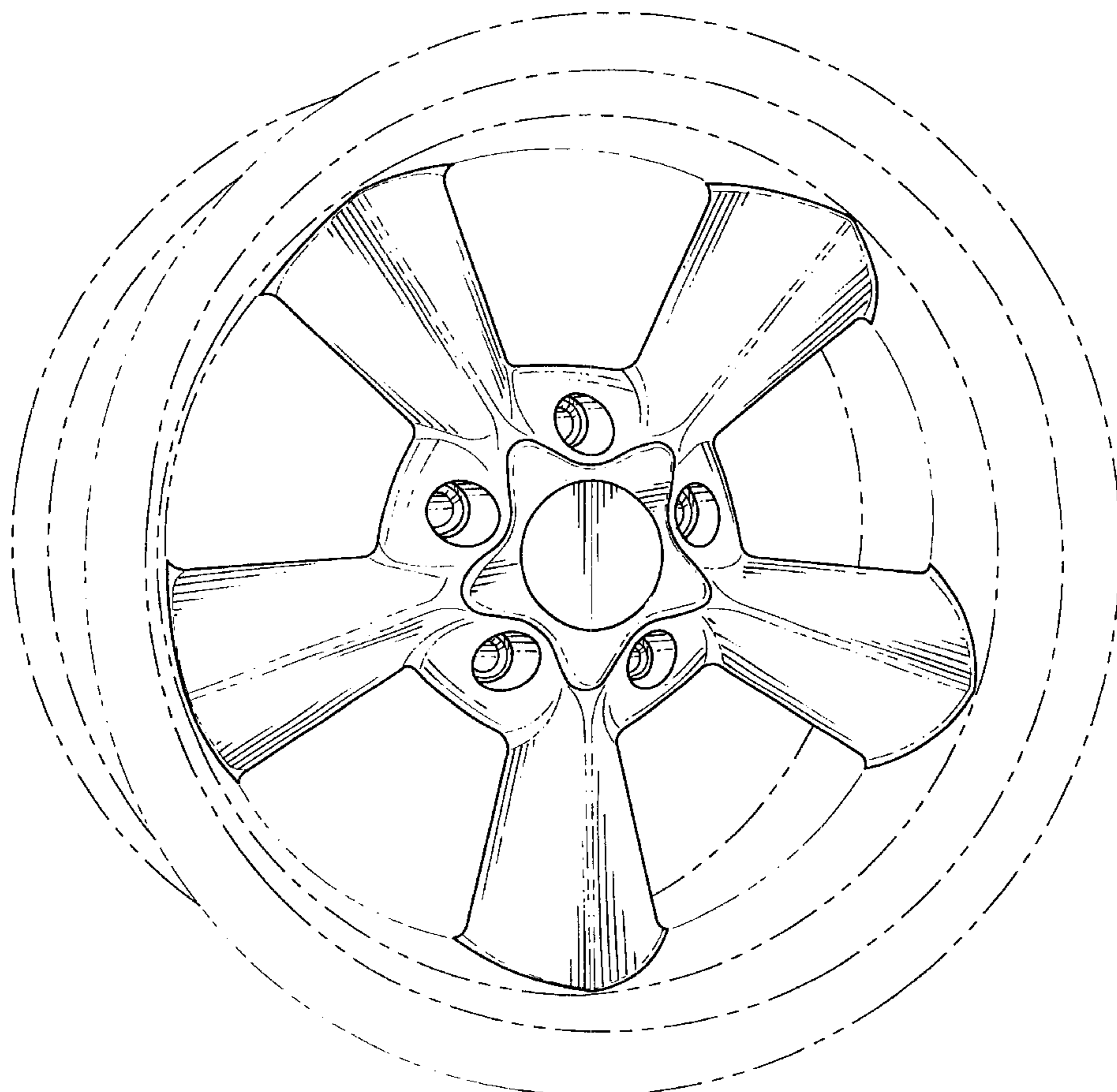
FIG. 2 is a front elevational view thereof; and,

FIG. 3 is a cross-sectional view thereof taken along the line 3—3 in FIG. 2.

The broken line disclosure in FIGS. 1–3 is for illustrative purposes only and forms no part of the claimed design.

The rear of the wheel forms no part of the claimed design.

**1 Claim, 2 Drawing Sheets**



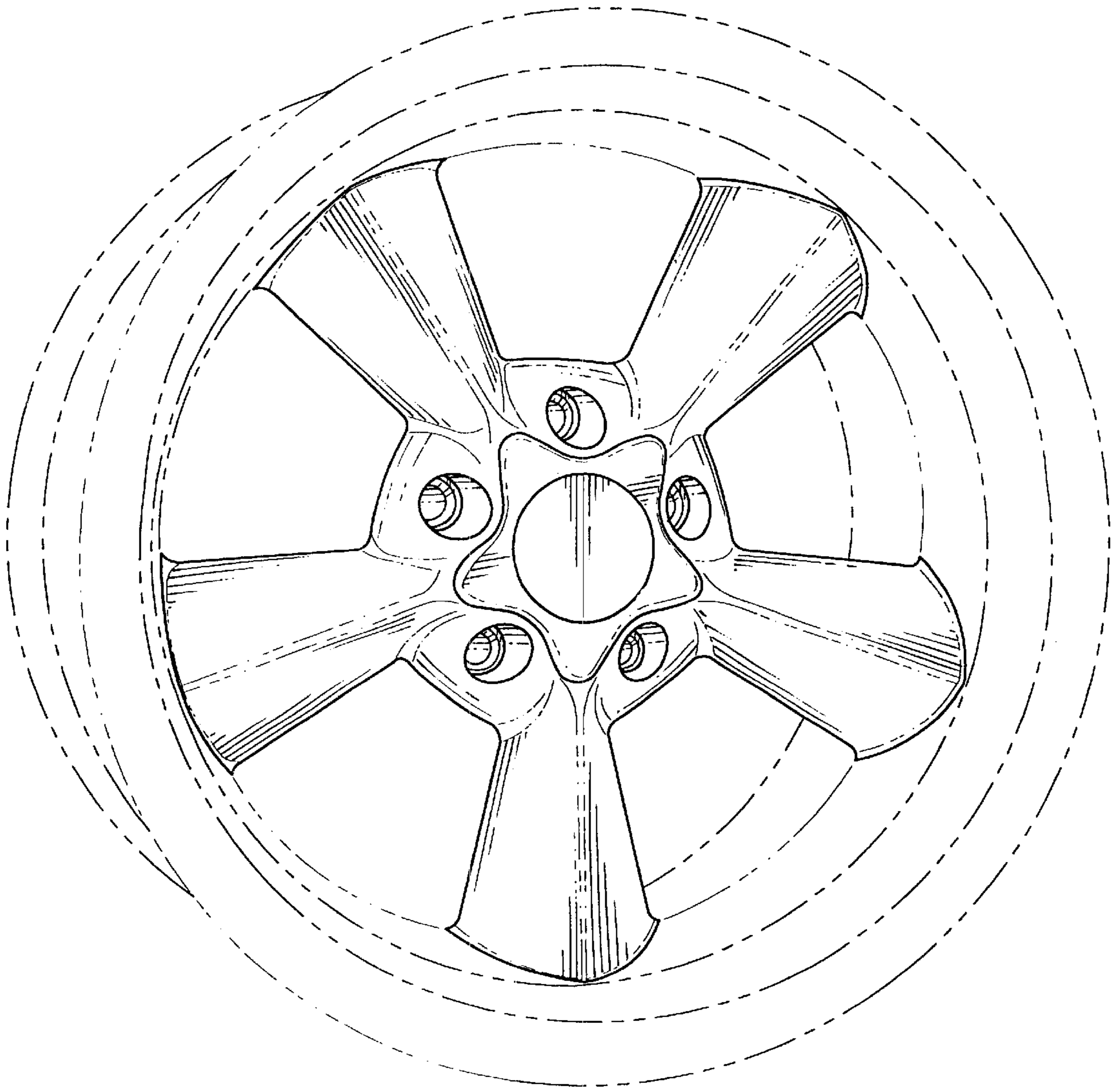


FIG. 1

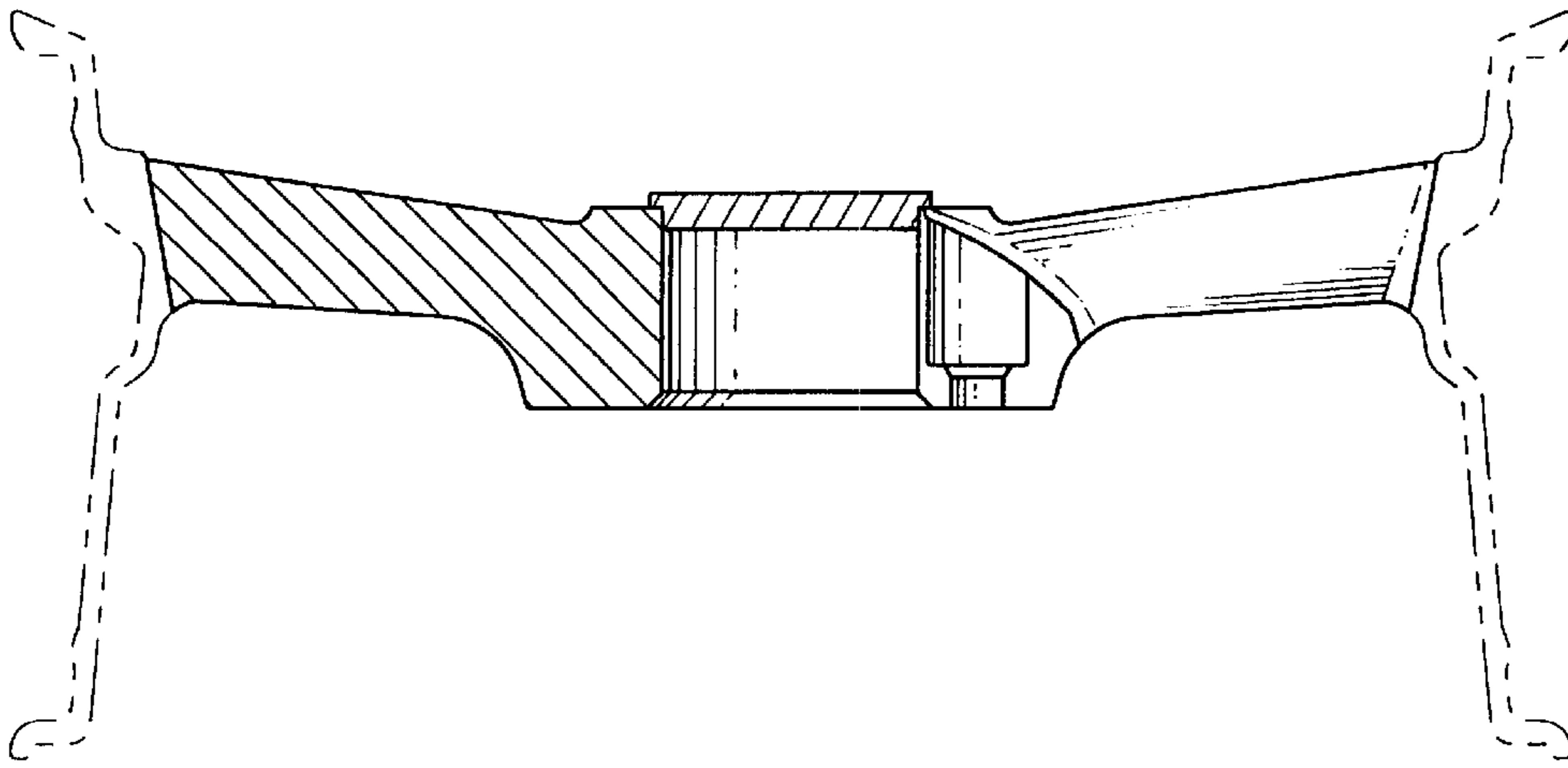


FIG. 3

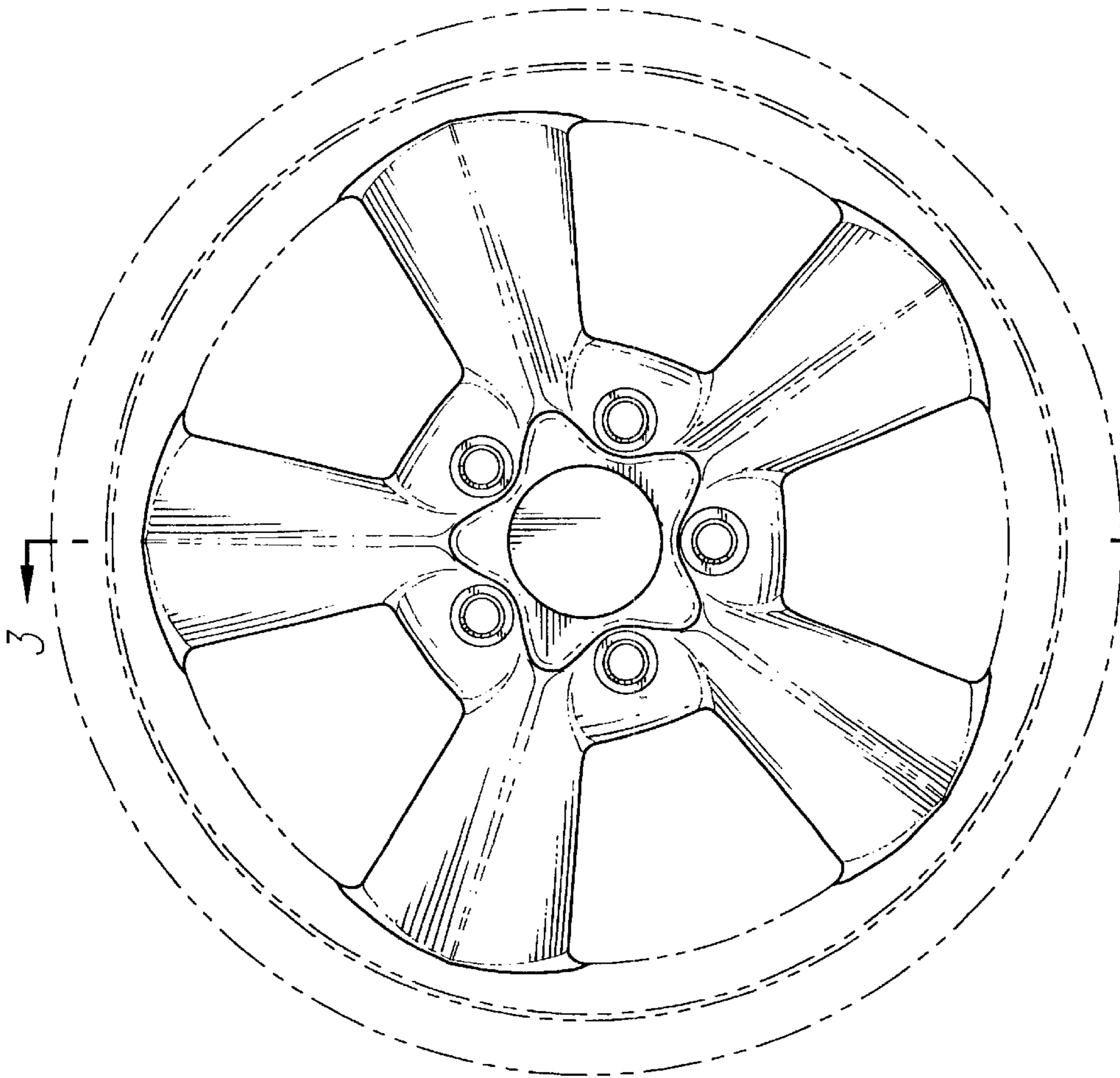


FIG. 2