



US00D458573S

(12) **United States Design Patent**
Kaucher

(10) **Patent No.:** **US D458,573 S**

(45) **Date of Patent:** **** Jun. 11, 2002**

(54) **WHEEL**

(75) Inventor: **Keith Martin Kaucher**, Santa Monica,
CA (US)

(73) Assignee: **Ultra Wheel Co.**, Buena Park, CA (US)

(**) Term: **14 Years**

(21) Appl. No.: **29/136,433**

(22) Filed: **Jan. 30, 2001**

(51) **LOC (7) Cl.** **12-16**

(52) **U.S. Cl.** **D12/211**

(58) **Field of Search** **D12/204-211;**
301/37.1, 64.1, 65

(56) **References Cited**

U.S. PATENT DOCUMENTS

D196,791 S	*	11/1963	Knight	D12/209
D424,502 S	*	5/2000	Noriega	D12/213
D436,569 S	*	1/2001	Brown et al.	D12/209
D446,493 S	*	8/2001	Sulahian et al.	D12/211
D449,267 S	*	10/2001	Fitzgerald	D12/211

* cited by examiner

Primary Examiner—Stacia Cadmus

(74) *Attorney, Agent, or Firm*—Christie, Parker & Hale,
LLP

(57) **CLAIM**

The ornamental design for the wheel, as shown and described.

DESCRIPTION

FIG. 1 is a perspective view of a wheel showing my new design;

FIG. 2 is a front elevational view thereof; and,

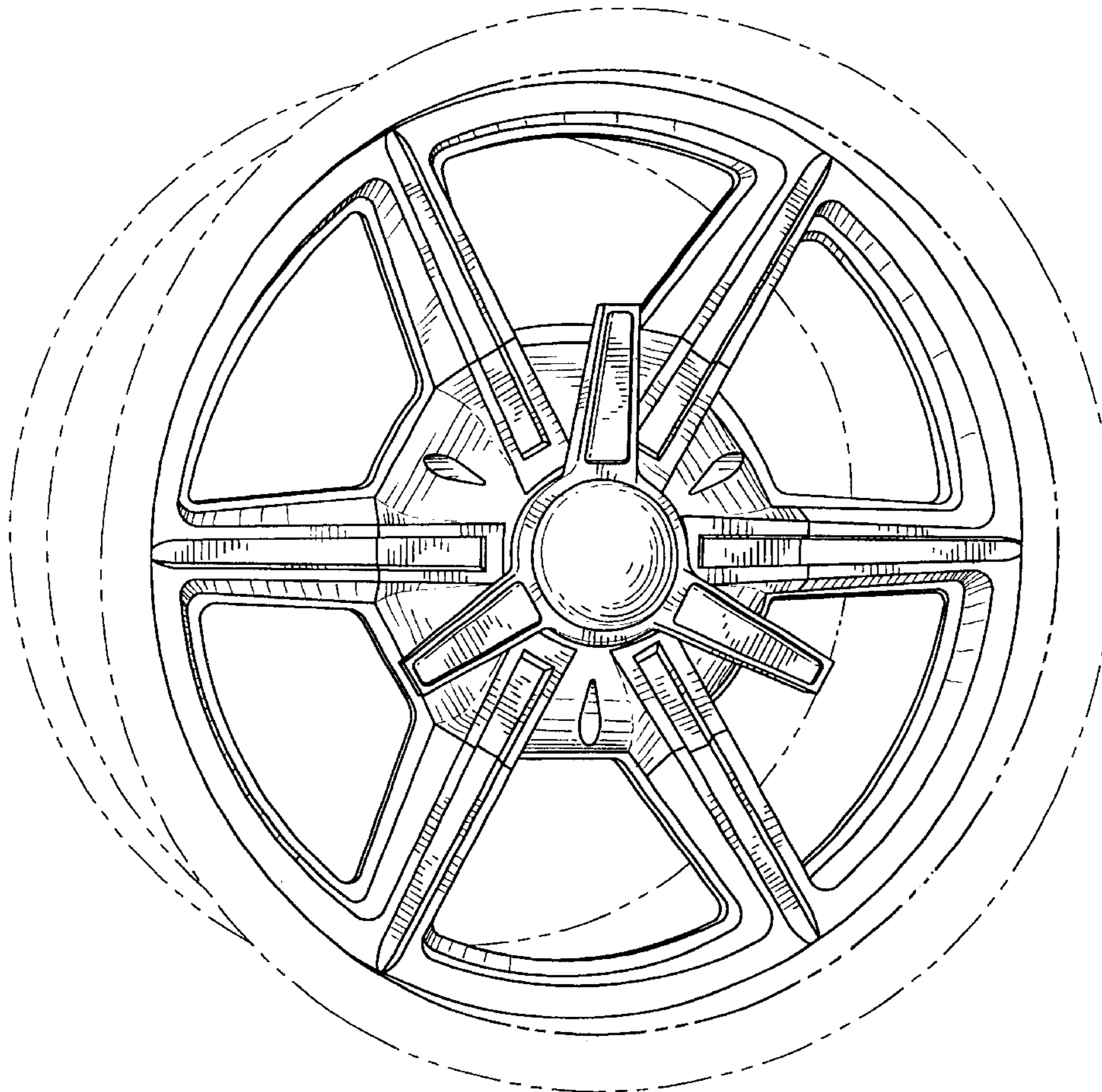
FIG. 3 is a cross-sectional view thereof taken along the line 3—3 in FIG. 2.

The broken line disclosure in FIGS. 1–3 is for illustrative purposes only and forms no part of the claimed design.

The wheel spinner element is illustrated in an alternate position in FIG. 1 compared to FIGS. 2 and 3.

The rear of the wheel forms no part of the claimed design.

1 Claim, 2 Drawing Sheets



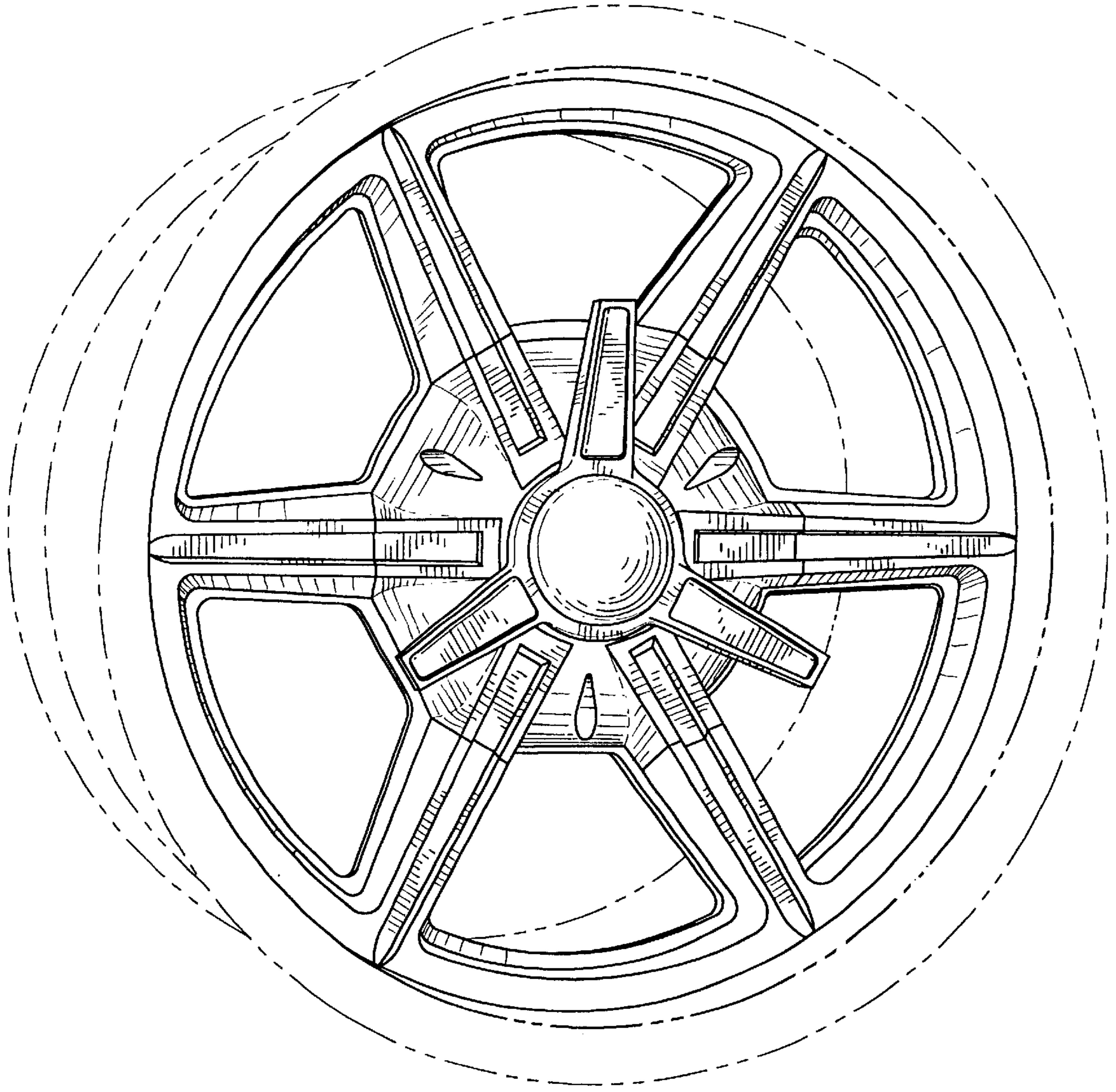


FIG. 1

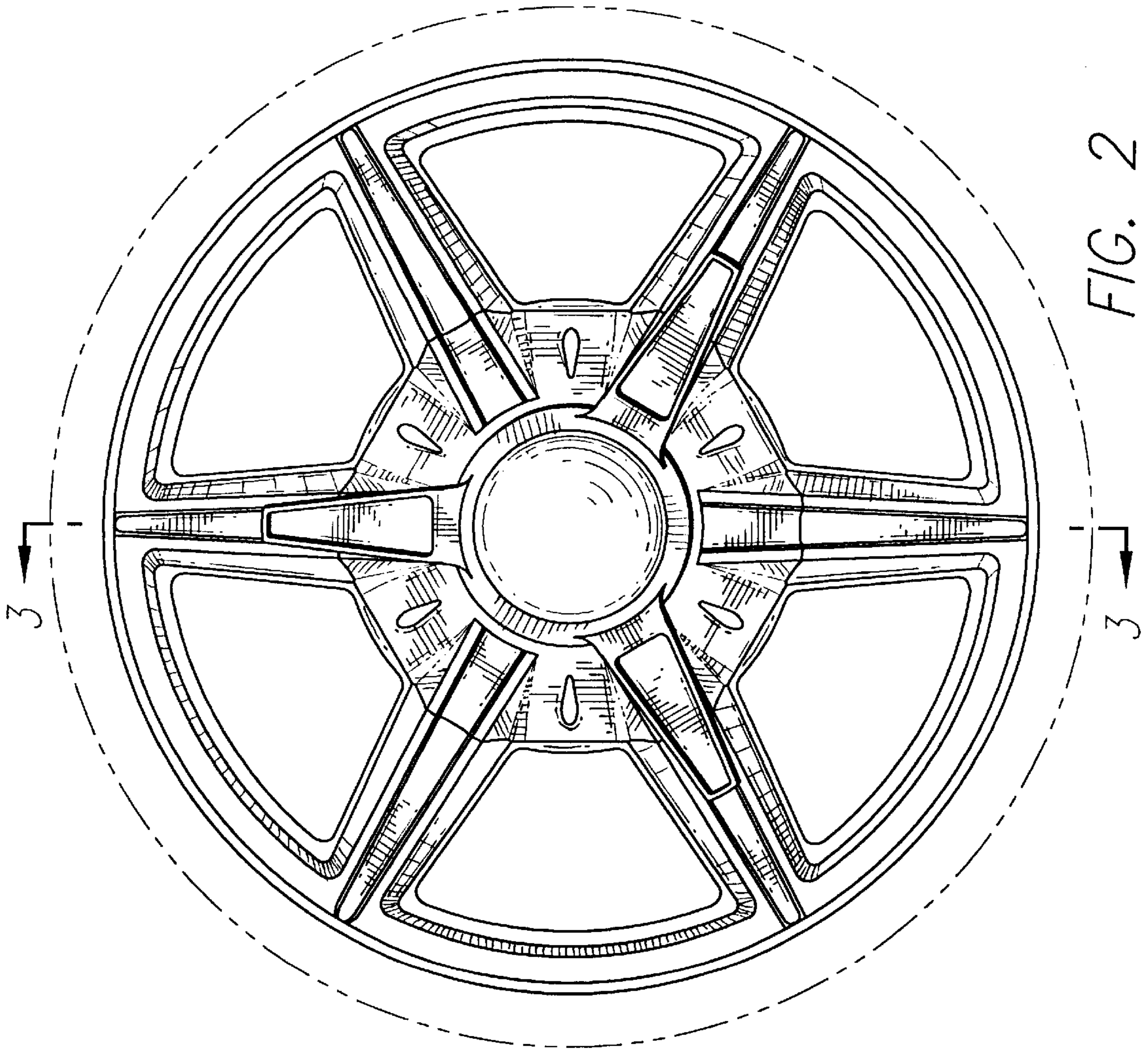


FIG. 2

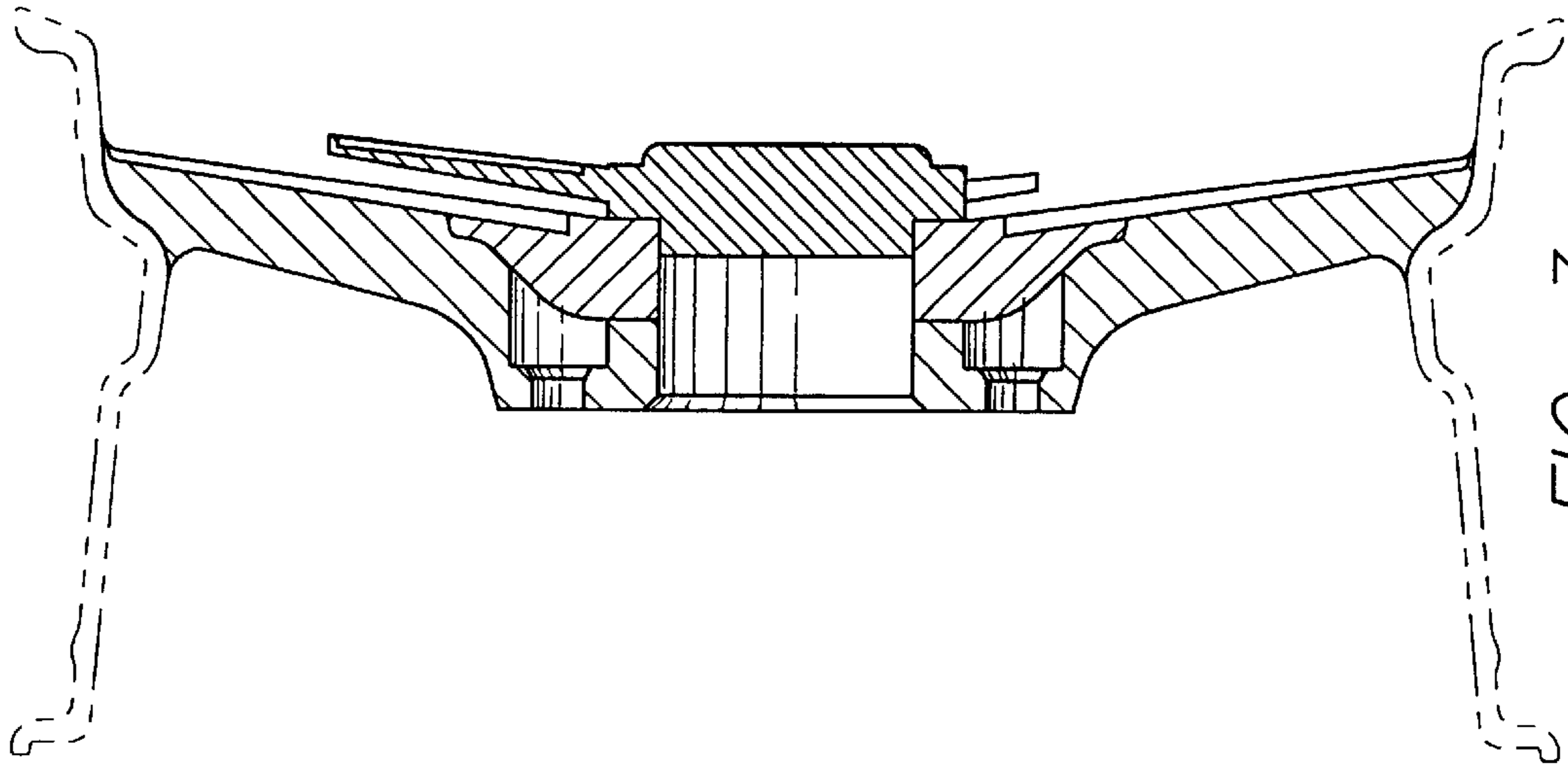


FIG. 3