



US00D458572S

(12) **United States Design Patent**  
**Fitzgerald**

(10) **Patent No.:** **US D458,572 S**

(45) **Date of Patent:** **\*\* Jun. 11, 2002**

(54) **MOTOR VEHICLE WHEEL FRONT FACE**

(75) Inventor: **Kevin Fitzgerald**, Long Beach, CA  
(US)

(73) Assignee: **KMC Products, Inc.**, Riverside, CA  
(US)

(\*\*) Term: **14 Years**

(21) Appl. No.: **29/148,921**

(22) Filed: **Sep. 28, 2001**

(51) **LOC (7) Cl.** ..... **12-16**

(52) **U.S. Cl.** ..... **D12/209**

(58) **Field of Search** ..... D12/204-211;  
301/37.1, 64.1, 65

(56) **References Cited**

**U.S. PATENT DOCUMENTS**

D408,345 S	*	4/1999	Cullen	.....	D12/209
D416,532 S	*	11/1999	Cullen	.....	D12/209
D418,794 S	*	1/2000	Chung	.....	D12/209
D423,442 S	*	4/2000	Hussaini et al.	.....	D12/209

D431,515 S	*	10/2000	Donikoglu	.....	D12/209
D433,370 S	*	11/2000	Hussaini et al.	.....	D12/209
D433,373 S	*	11/2000	Hussaini et al.	.....	D12/209
D437,819 S	*	2/2001	Brown et al.	.....	D12/209
D445,082 S	*	7/2001	Chung	.....	D12/211
D449,028 S	*	10/2001	Weidhase	.....	D12/209
D452,211 S	*	12/2001	Takechi	.....	D12/209

\* cited by examiner

*Primary Examiner*—Stacia Cadmus

(74) *Attorney, Agent, or Firm*—Dykema Gossett PLLC

(57) **CLAIM**

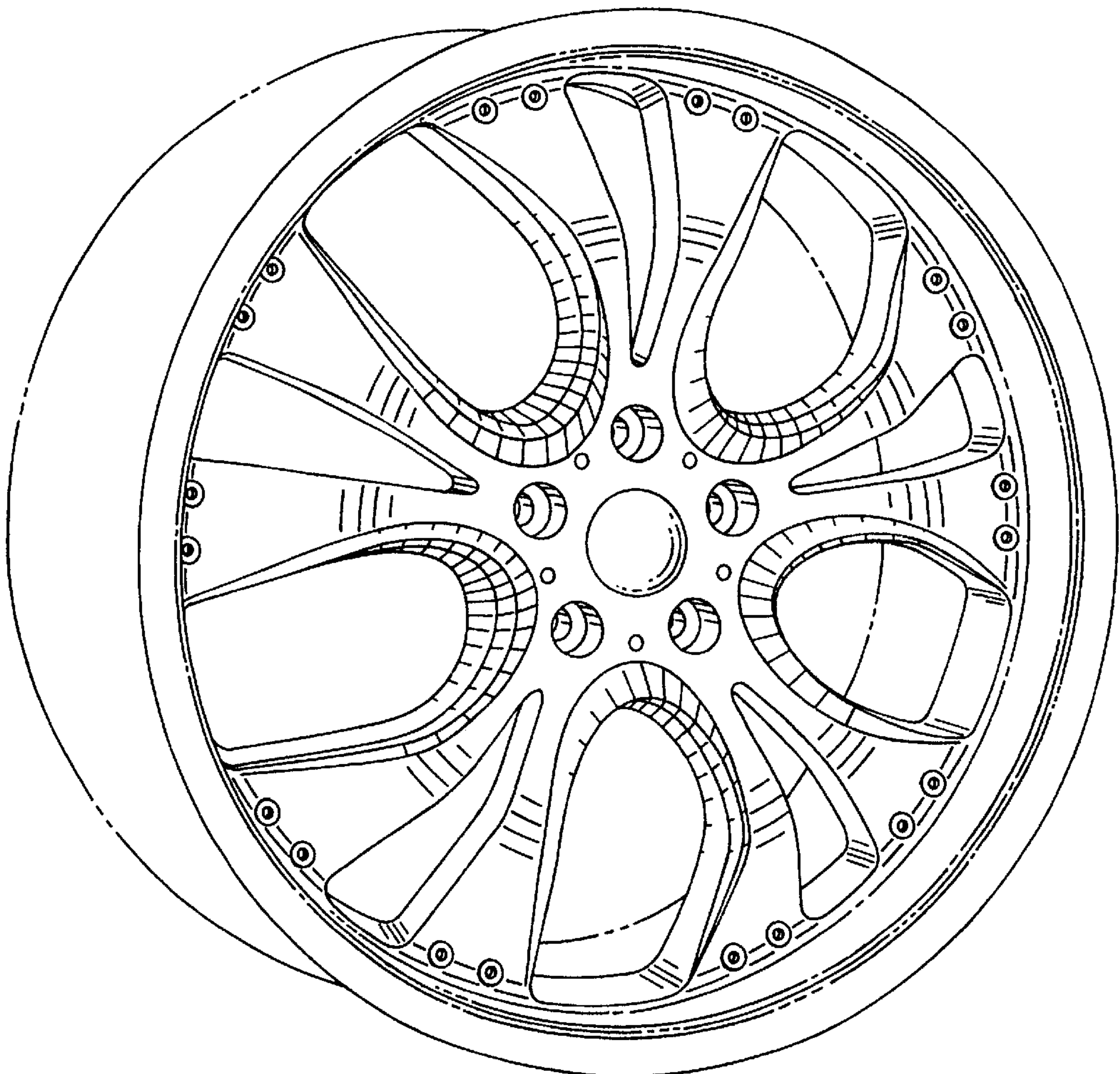
The ornamental design for a motor vehicle wheel front face, as shown and described.

**DESCRIPTION**

FIG. 1 is a front perspective view of a motor vehicle wheel front face showing my new design; and, FIG. 2 is a front elevational view of the wheel shown in FIG. 1.

The phantom line showing of environment is for illustrative purposes only and forms no part of the claimed design.

**1 Claim, 2 Drawing Sheets**



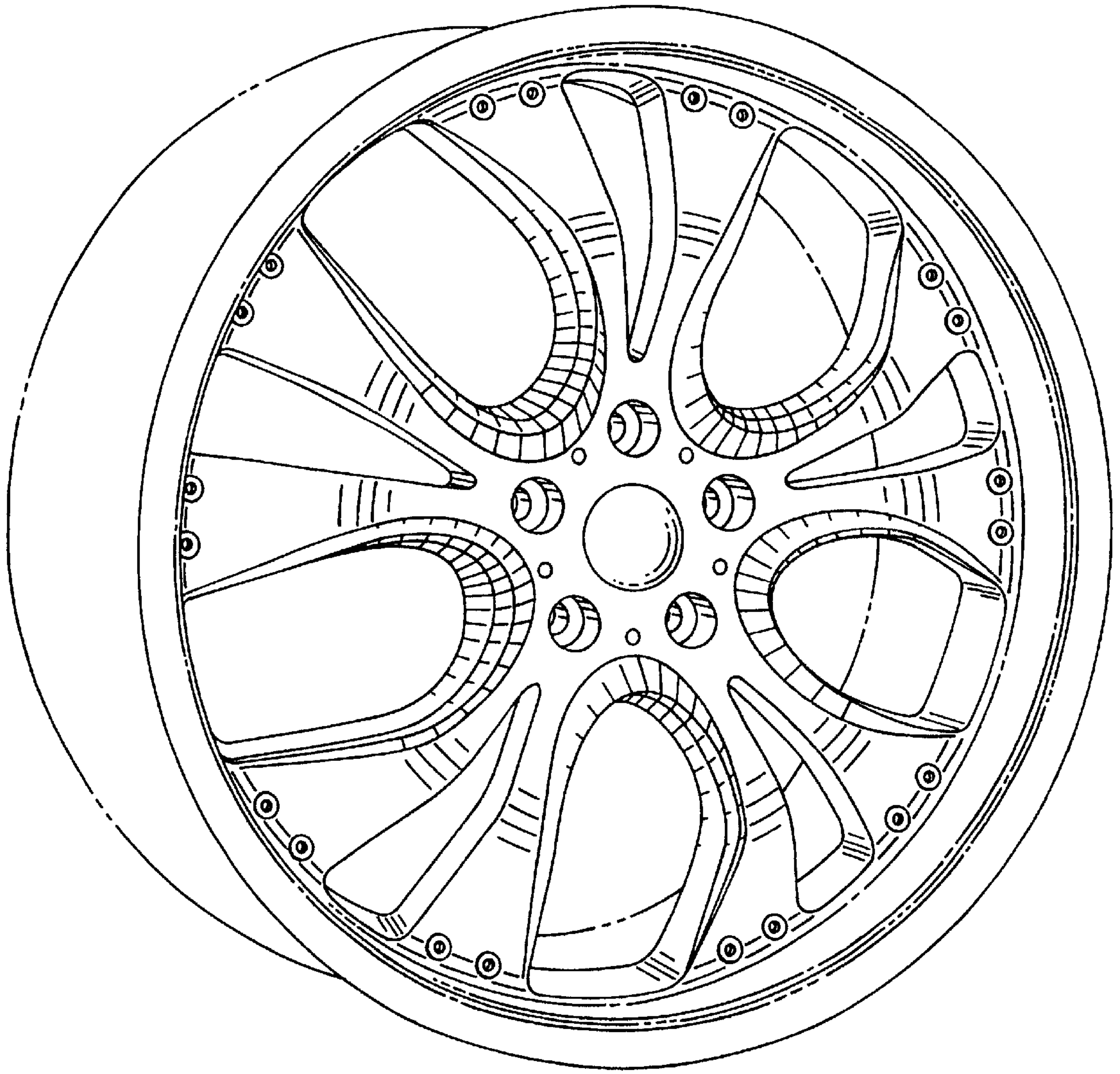


FIG. 1



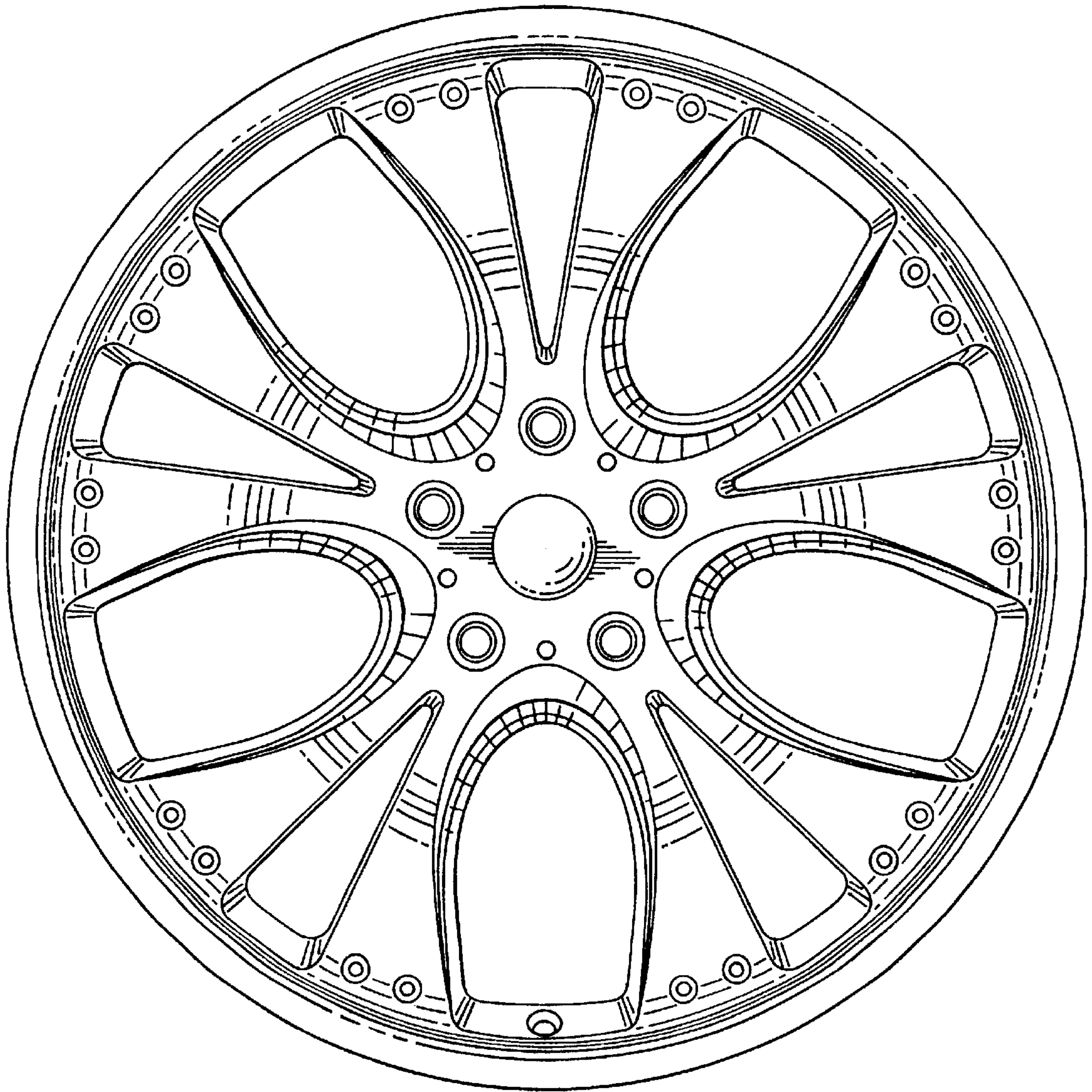


FIG. 2