



US00D458562S

(12) **United States Design Patent**
Kalhok et al.

(10) **Patent No.:** **US D458,562 S**
(45) **Date of Patent:** **** Jun. 11, 2002**

(54) **ALL TERRAIN VEHICLE**

OTHER PUBLICATIONS

(75) Inventors: **David Kalhok**, Marion, IL (US); **Pierre Rondeau**, St-Denis-de-Brompton; **Martin Portelance**, Sherbrooke, both of (CA)

Bombardier, Parts Catalog 2000, DS 650—Nov. 1999—704 300 001.

Honda Motorcycles, 1986 FourTrax 250R, www.hondamotorcycle.com/classics/1986fourtrax250r/index.html, 3 pages.

(73) Assignee: **Bombardier Inc.**, Valcourt (CA)

Yamaha Motorcycles, Nov. 1999, www.yamaha-motor.com/01motorsports/01atv/gallerybody.html, 3 pages.

(**) Term: **14 Years**

* cited by examiner

(21) Appl. No.: **29/123,530**

Primary Examiner—Melody N. Brown

(22) Filed: **May 19, 2000**

(74) *Attorney, Agent, or Firm*—Pillsbury Winthrop LLP

(51) **LOC (7) Cl.** **12-11**

(57) **CLAIM**

(52) **U.S. Cl.** **D12/107**

The ornamental design of an all terrain vehicle, as shown and described.

(58) **Field of Search** D12/107, 3; 180/225, 180/229, 233, 315, 311, 312

DESCRIPTION

(56) **References Cited**

FIG. 1 is a perspective illustration, from the front and right side, of the all terrain vehicle of our design;

FIG. 2 is a front view thereof;

FIG. 3 is a right side view thereof;

FIG. 4 is a rear view thereof;

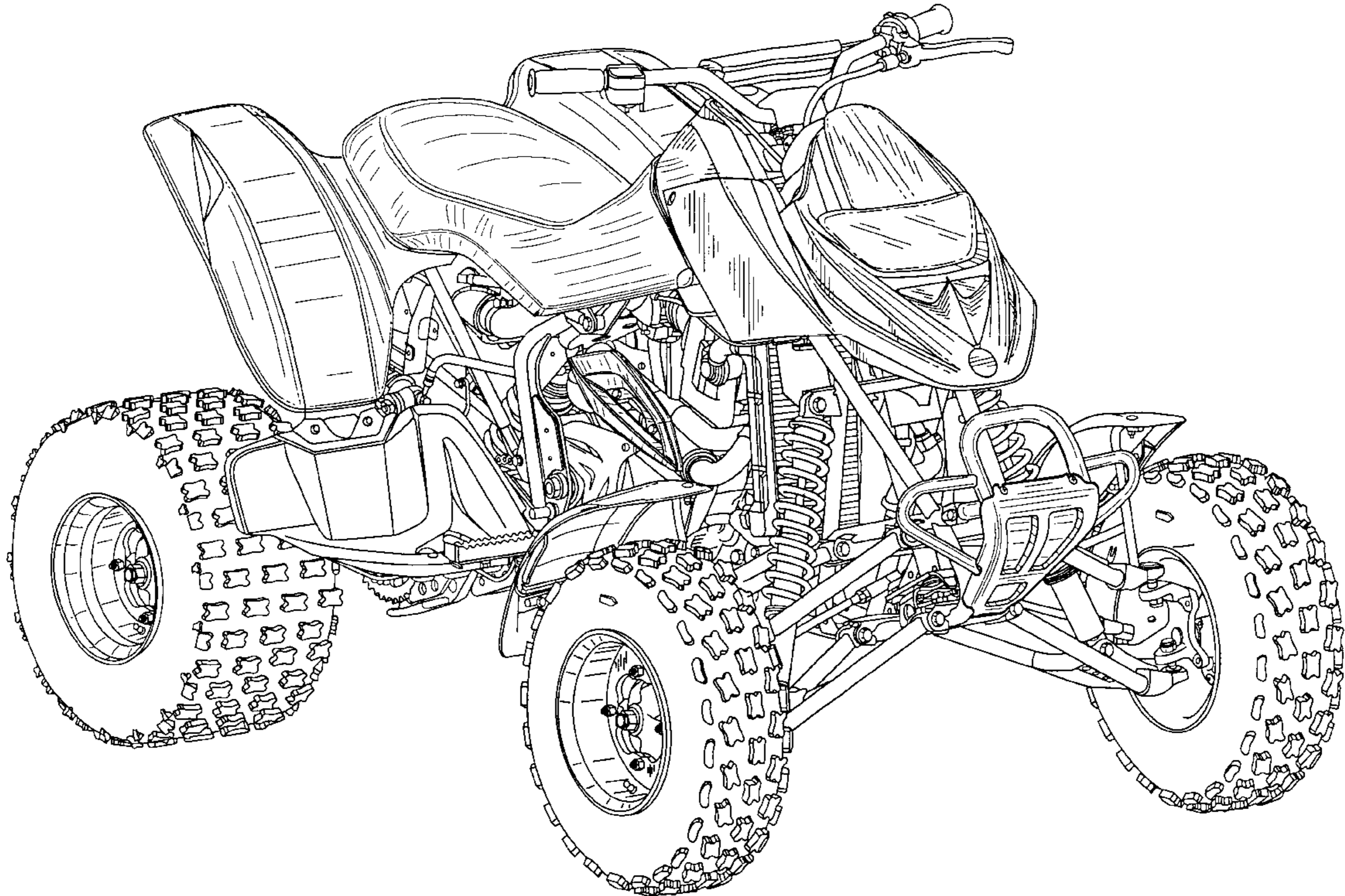
FIG. 5 is a left side view thereof; and,

FIG. 6 is a top view thereof.

U.S. PATENT DOCUMENTS

D298,744 S	*	11/1988	Saito et al.	D12/107
D327,457 S	*	6/1992	Saito	D12/107
D330,694 S	*	11/1992	Kimura et al.	D12/107
D412,464 S	*	8/1999	Ichihara et al.	D12/107
D427,942 S	*	7/2000	Cho et al.	D12/107
D438,823 S	*	3/2001	Luh	D12/107

1 Claim, 6 Drawing Sheets



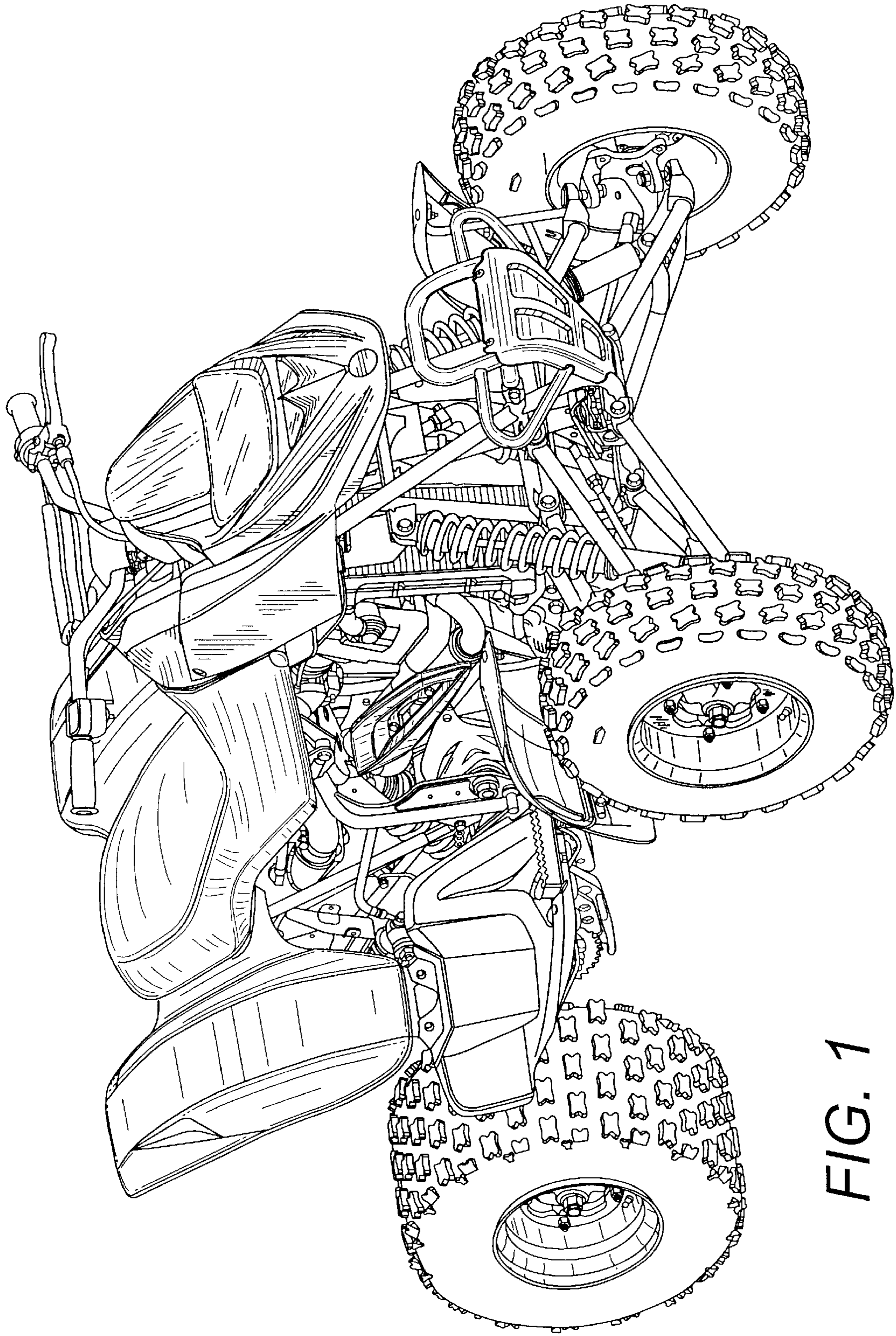


FIG. 1

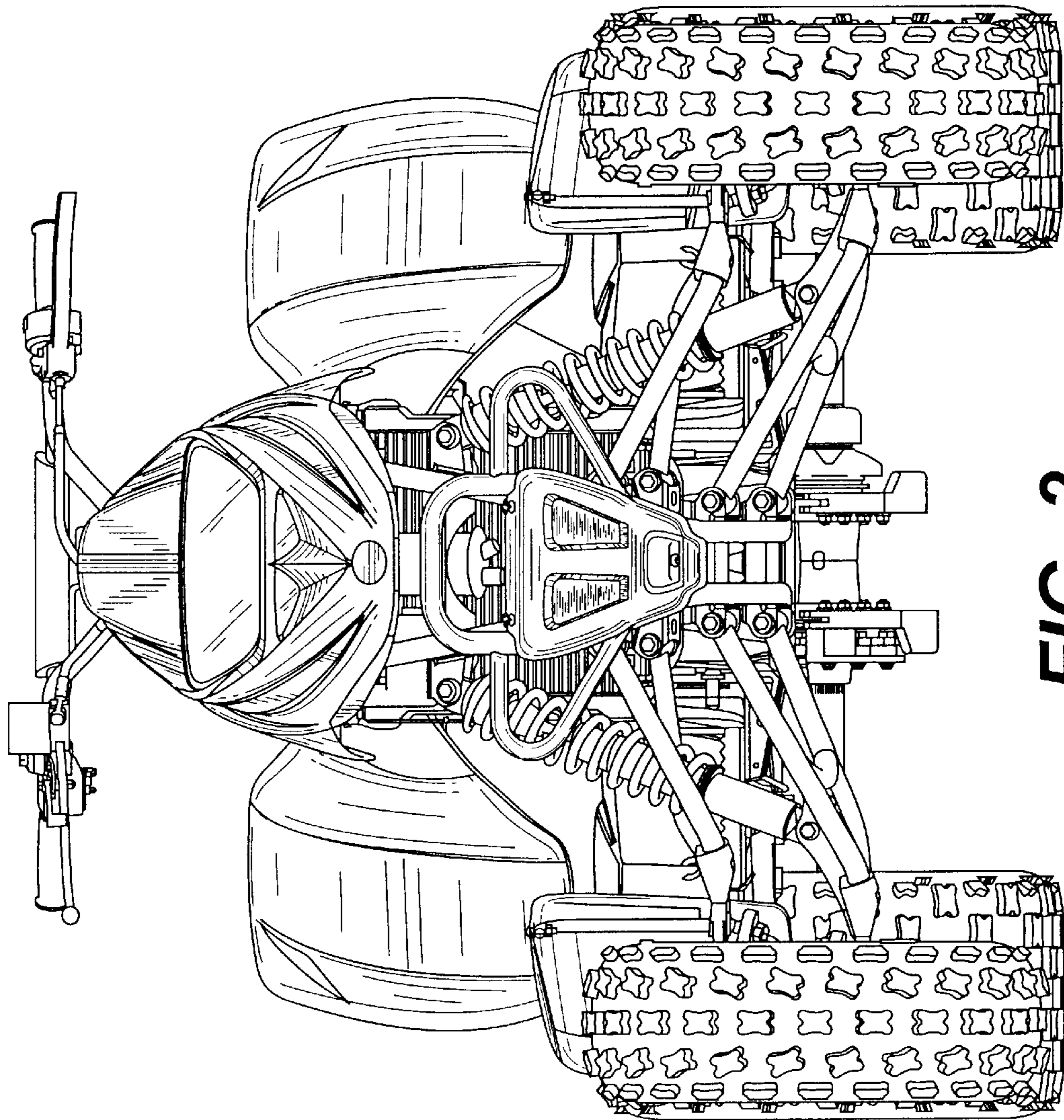


FIG. 2

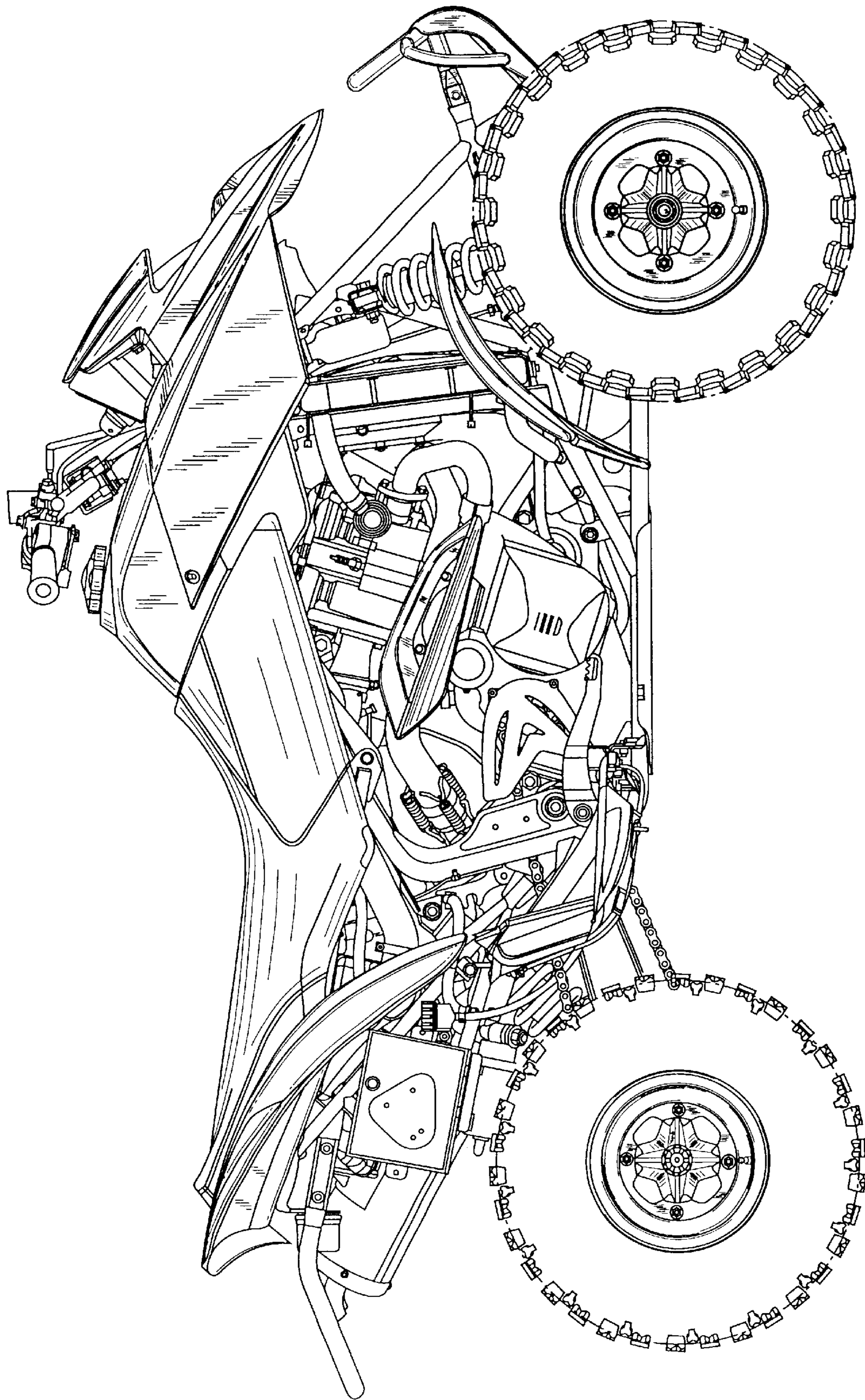


FIG. 3

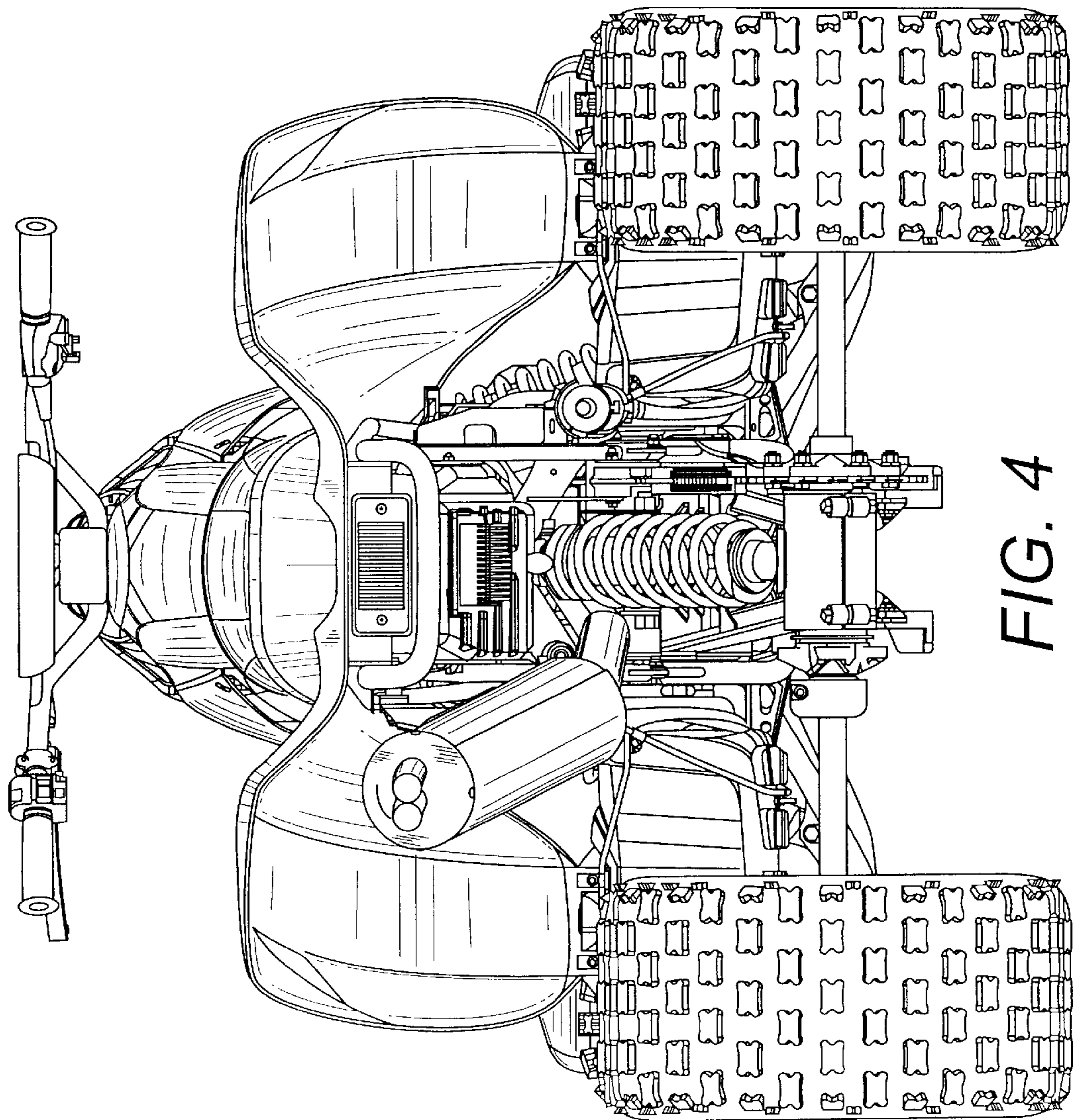


FIG. 4

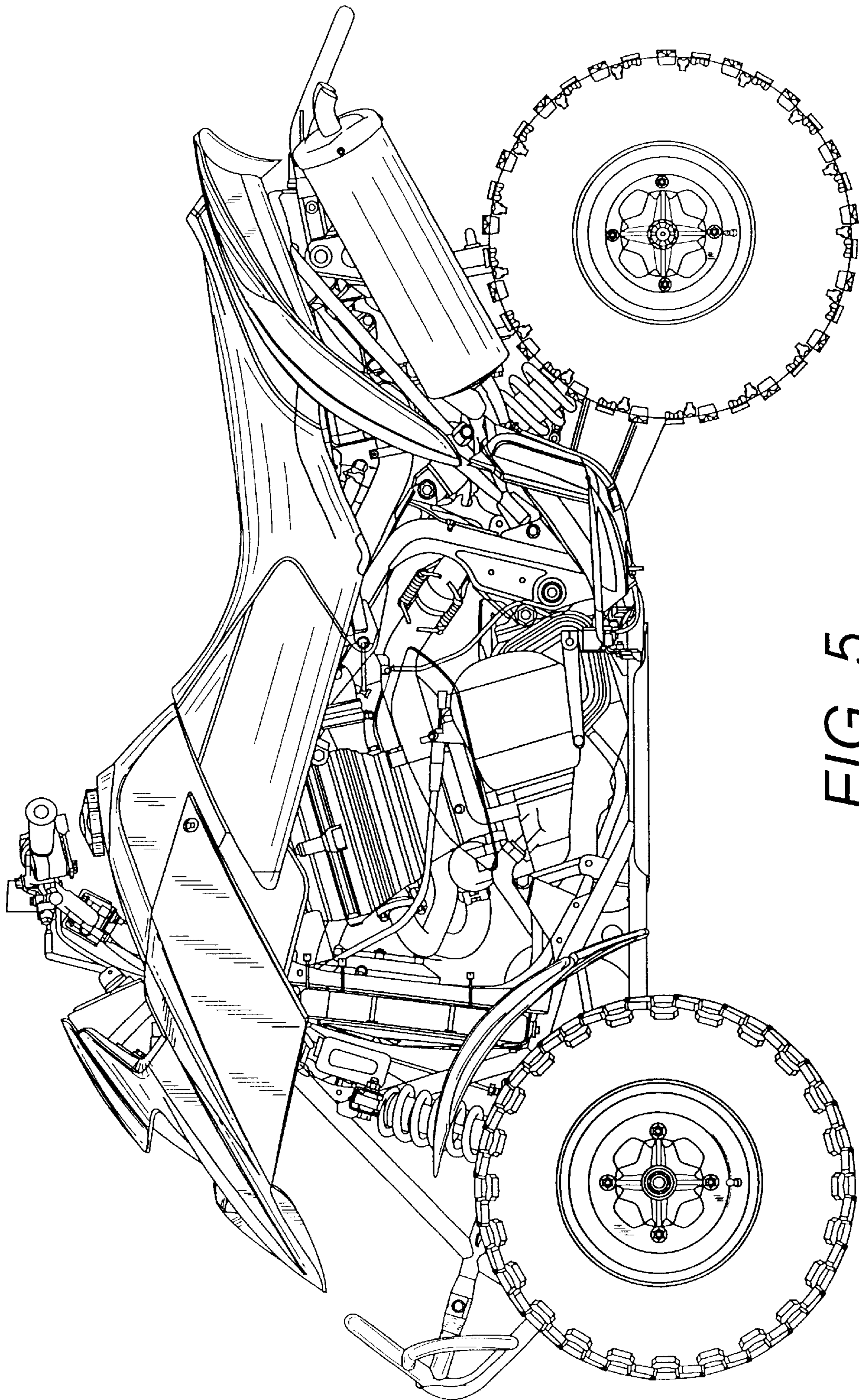


FIG. 5

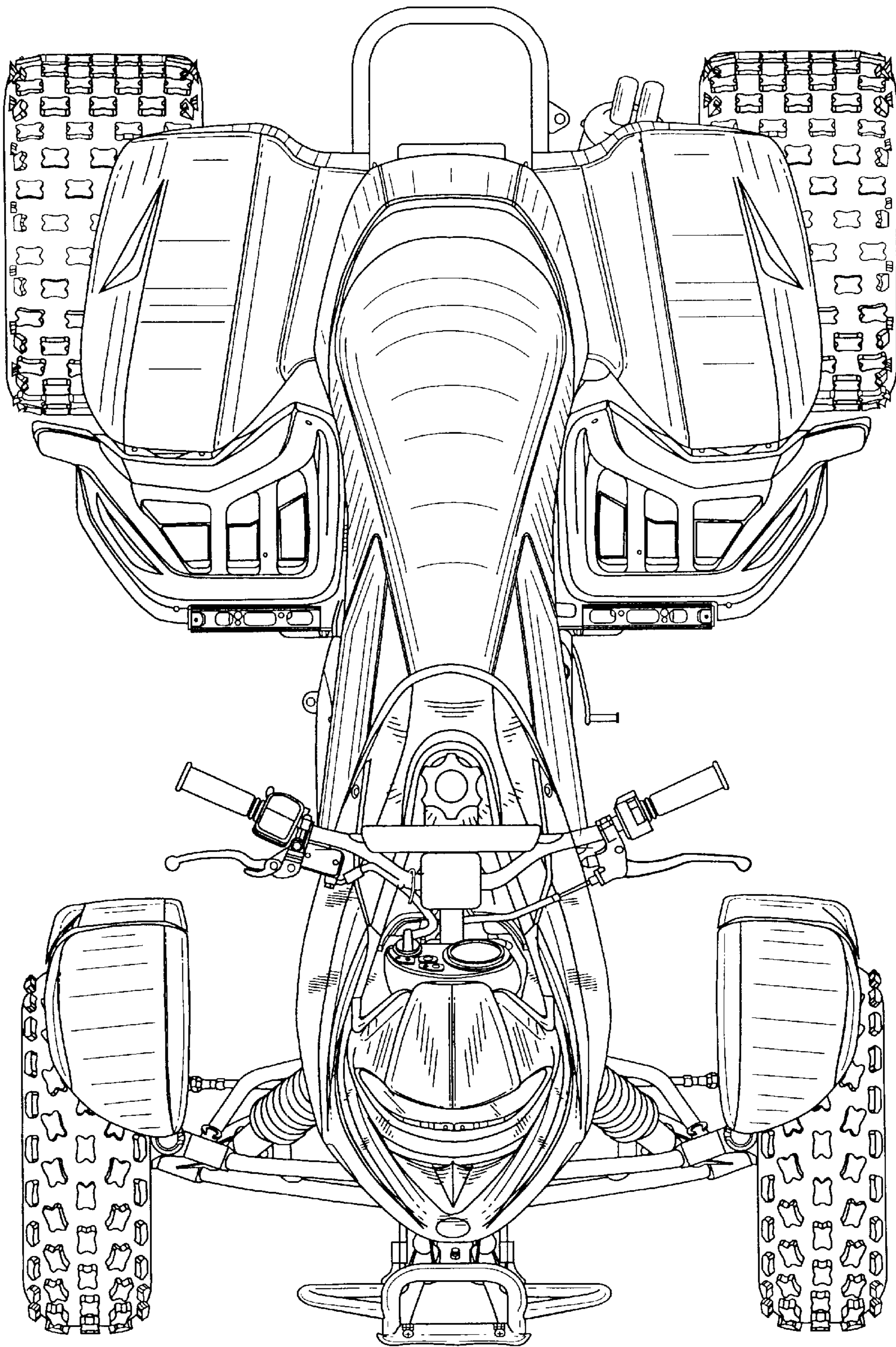


FIG. 6