



US00D458559S

(12) **United States Design Patent**  
**Namdar**

(10) **Patent No.:** **US D458,559 S**

(45) **Date of Patent:** **\*\* Jun. 11, 2002**

(54) **PRECIOUS STONE**

D447,083 S \* 8/2001 Rokah ..... D11/90

(75) Inventor: **Avraham Namdar**, Savion (IL)

\* cited by examiner

(73) Assignee: **Schachter & Namdar Polishing Works, LTD**, Ramat Gan (IL)

*Primary Examiner*—Ralf Seifert

(74) *Attorney, Agent, or Firm*—Martin Fleit; Paul D. Bianco

(\*\*) Term: **14 Years**

(57) **CLAIM**

(21) Appl. No.: **29/139,623**

The ornamental design for a precious stone, as shown and described.

(22) Filed: **Apr. 3, 2001**

(30) **Foreign Application Priority Data**

**DESCRIPTION**

Nov. 21, 2000 (IL) ..... 34411

FIG. 1 is a perspective view of the precious stone showing its new design;

(51) **LOC (7) Cl.** ..... **11-01**

FIG. 2 is a top view of the precious stone shown in FIG. 1; FIG. 3 is a bottom view of the precious stone shown in FIG. 1;

(52) **U.S. Cl.** ..... **D11/90**

(58) **Field of Search** ..... D11/1, 2, 26-29, D11/35, 36, 40-43, 79, 89-92; 63/1.11, 15, 15.1, 26-28, 32

FIG. 4 is a front and rear view of the precious stone shown in FIG. 1;

FIG. 5 is a rear view of the precious stone shown in FIG. 1; FIG. 6 is a left side view of the precious stone shown in FIG. 1; and,

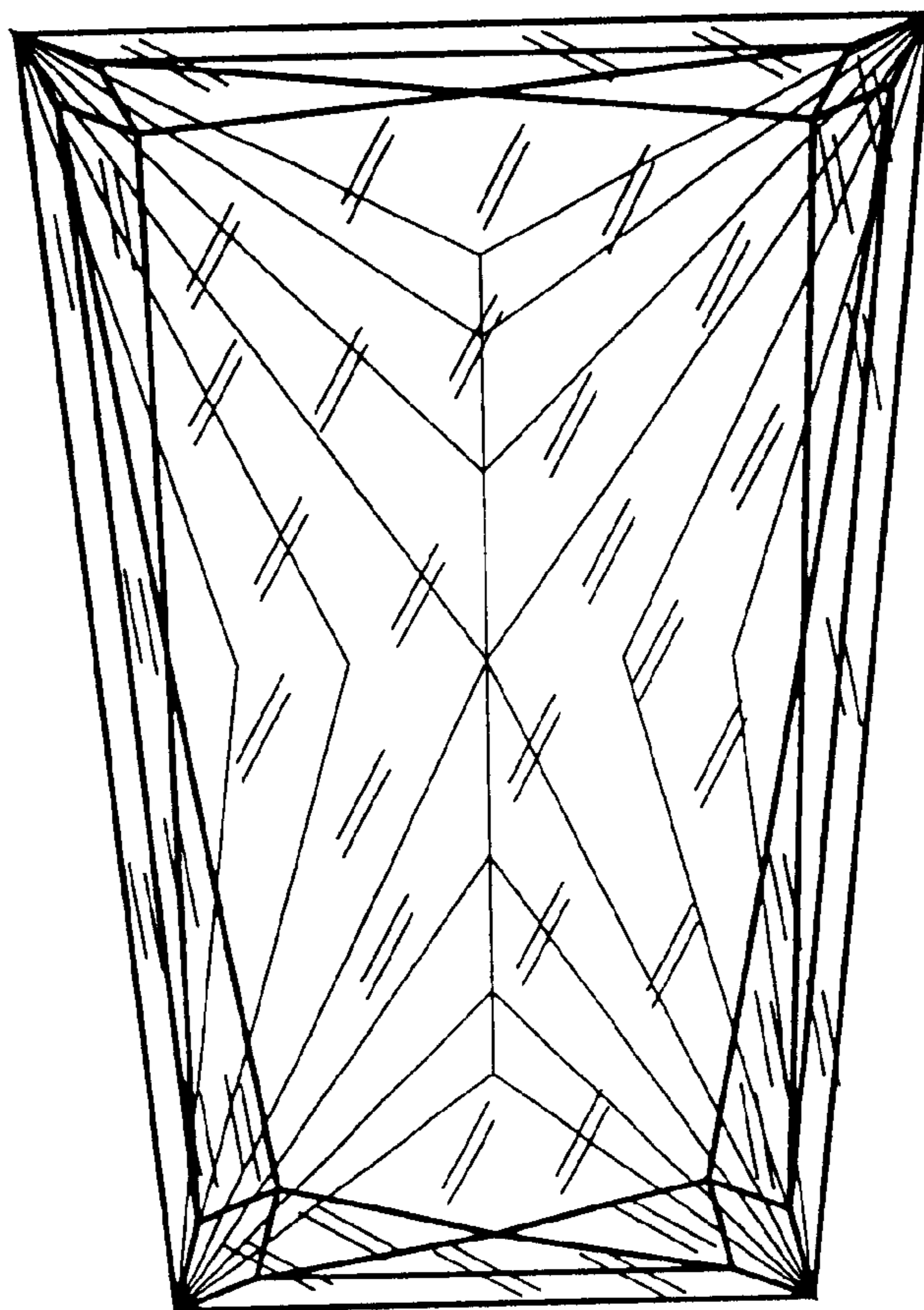
(56) **References Cited**

FIG. 7 is a right side view of the precious stone shown in FIG. 1.

**U.S. PATENT DOCUMENTS**

4,020,649 A \* 5/1977 Grossbard ..... 63/32  
D324,003 S \* 2/1992 Baranes ..... D11/90  
D429,475 S \* 8/2000 Steinberg ..... D11/90

**1 Claim, 4 Drawing Sheets**



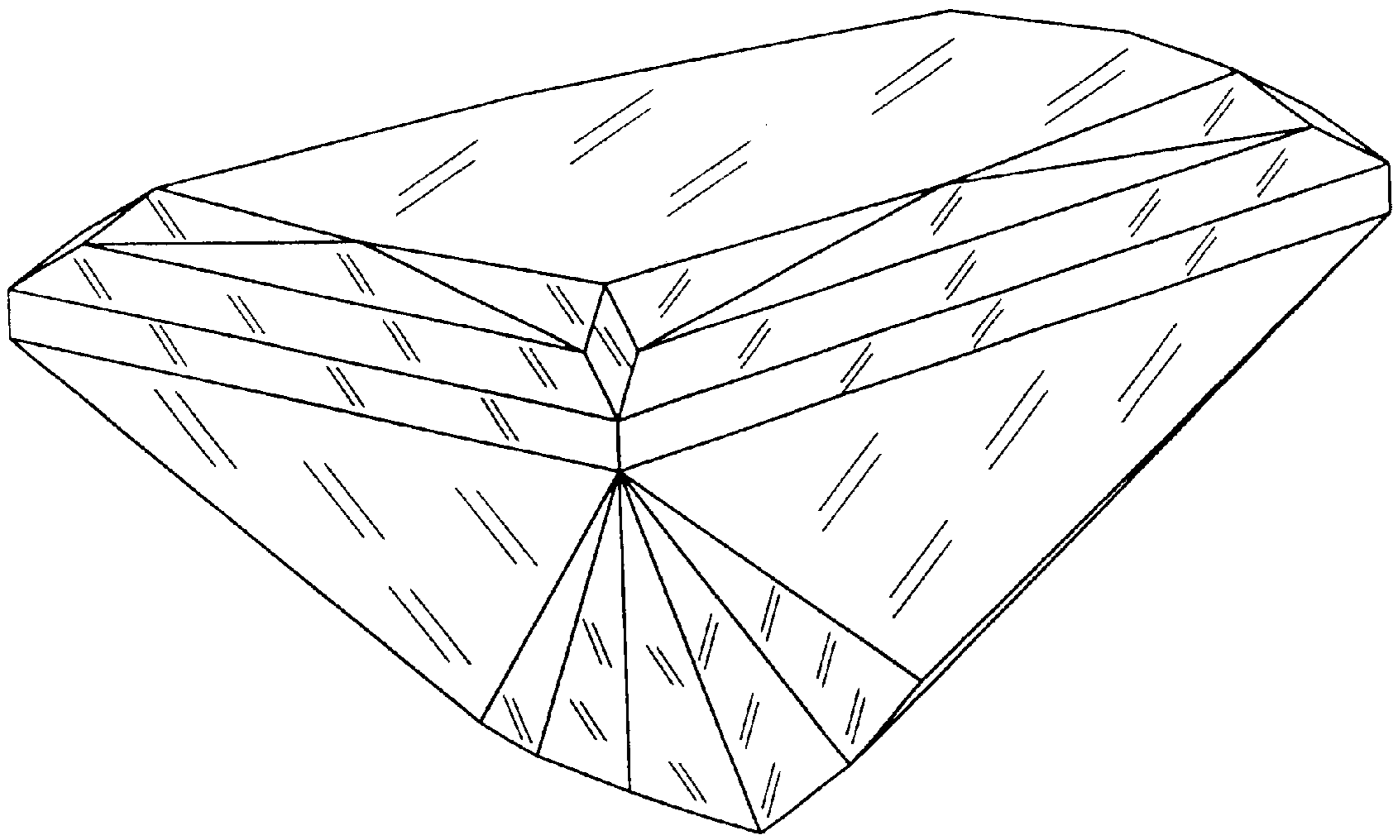


FIG.1

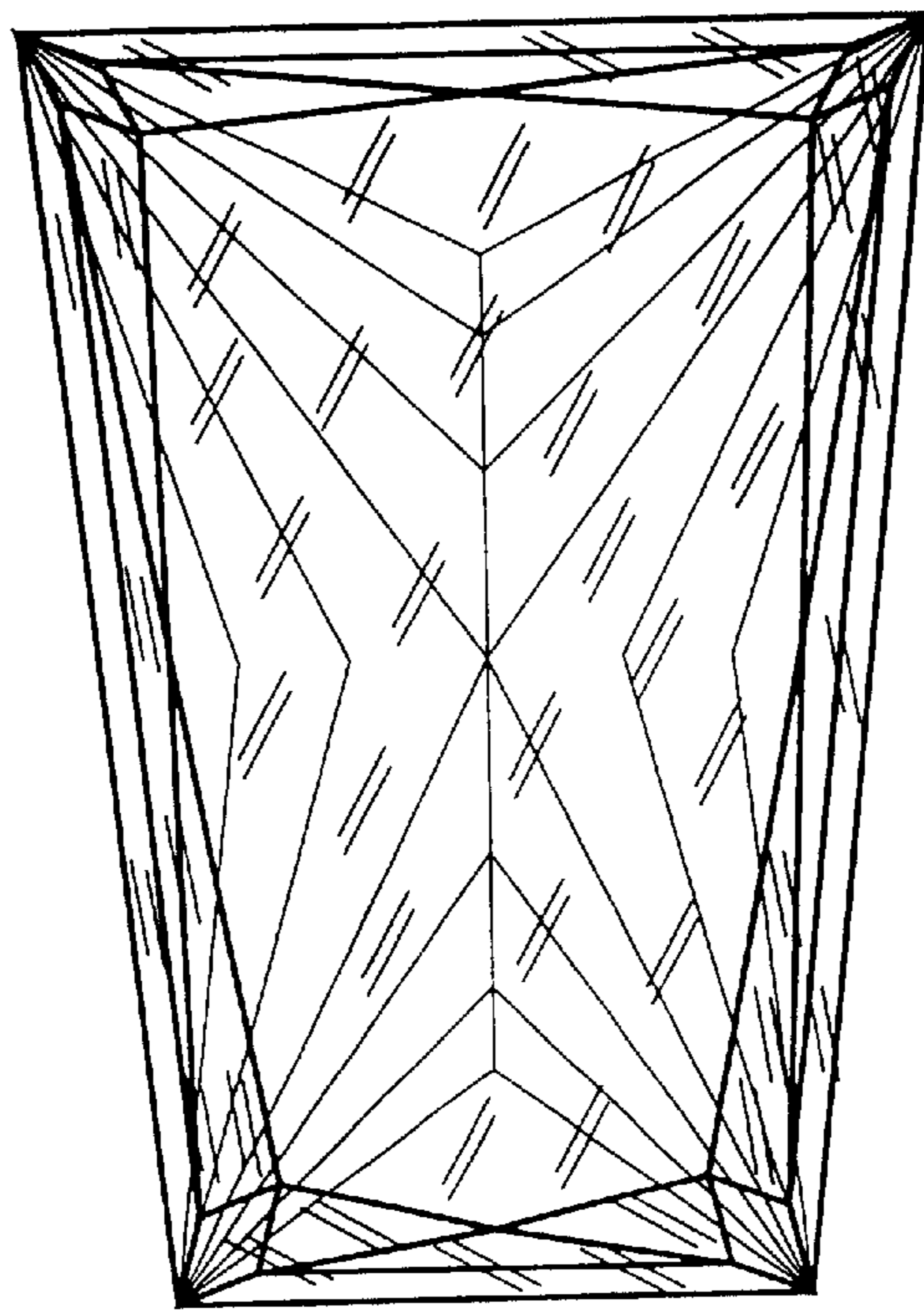


FIG. 2

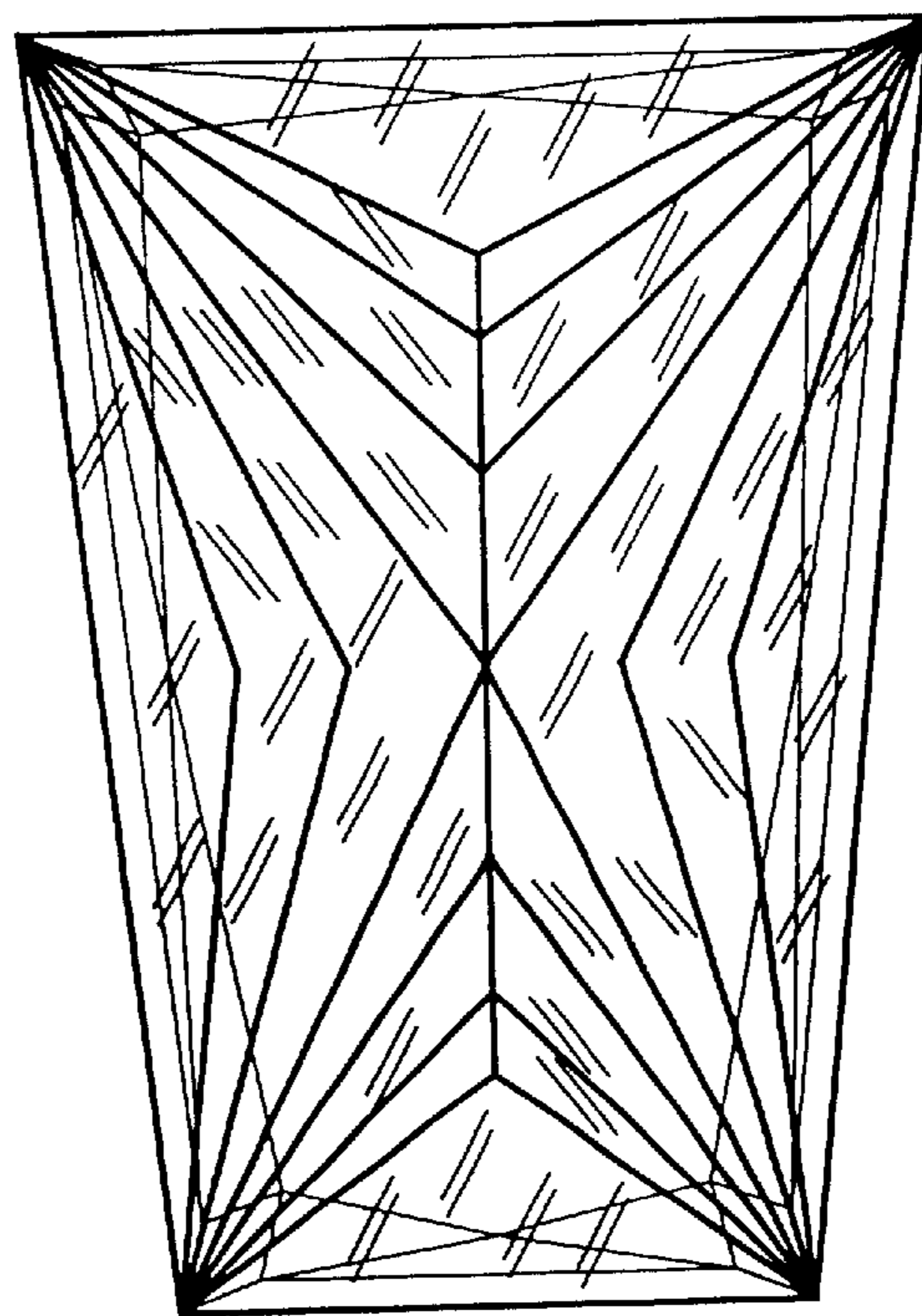


FIG. 3

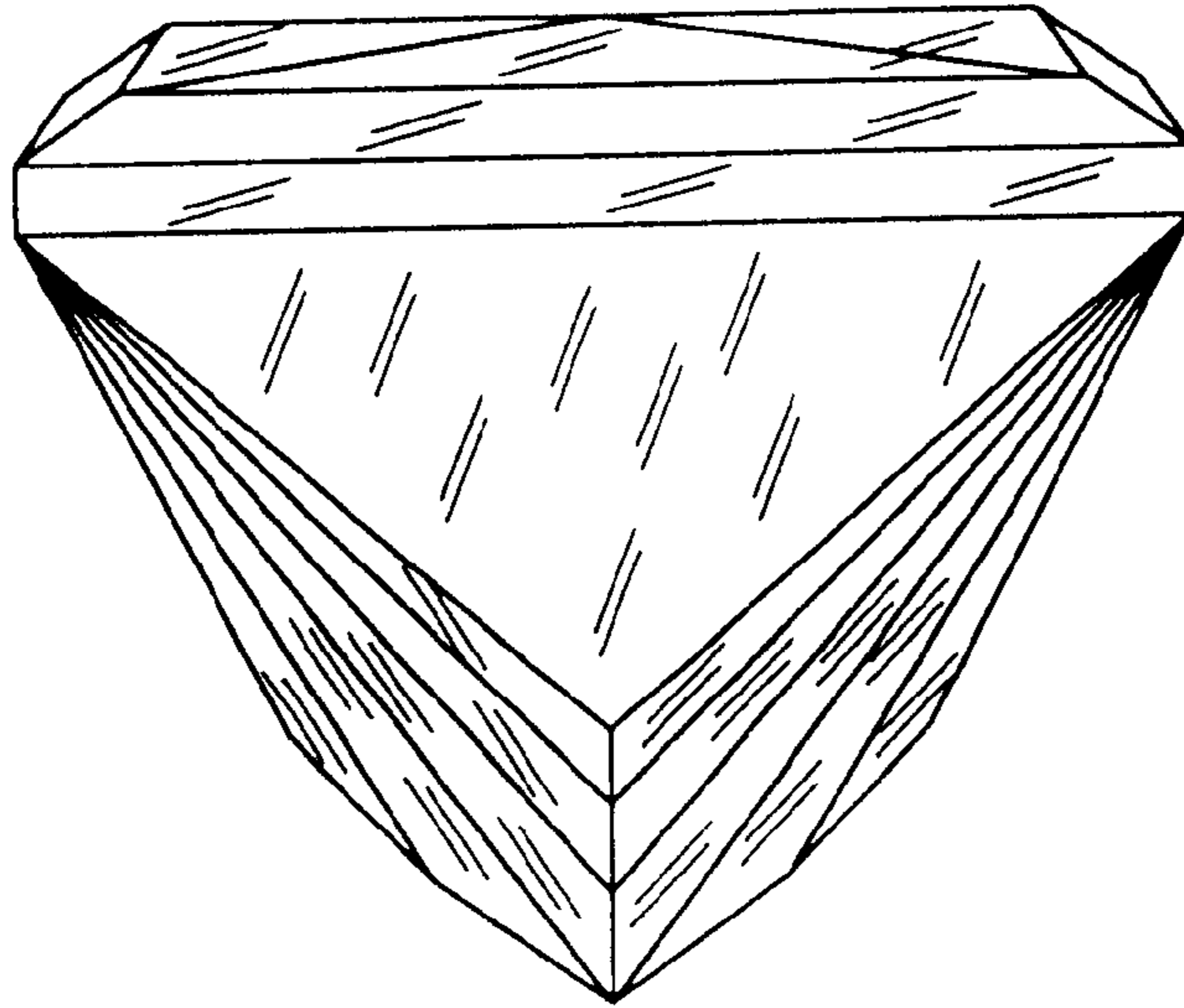


FIG. 4  
FRONT VIEW

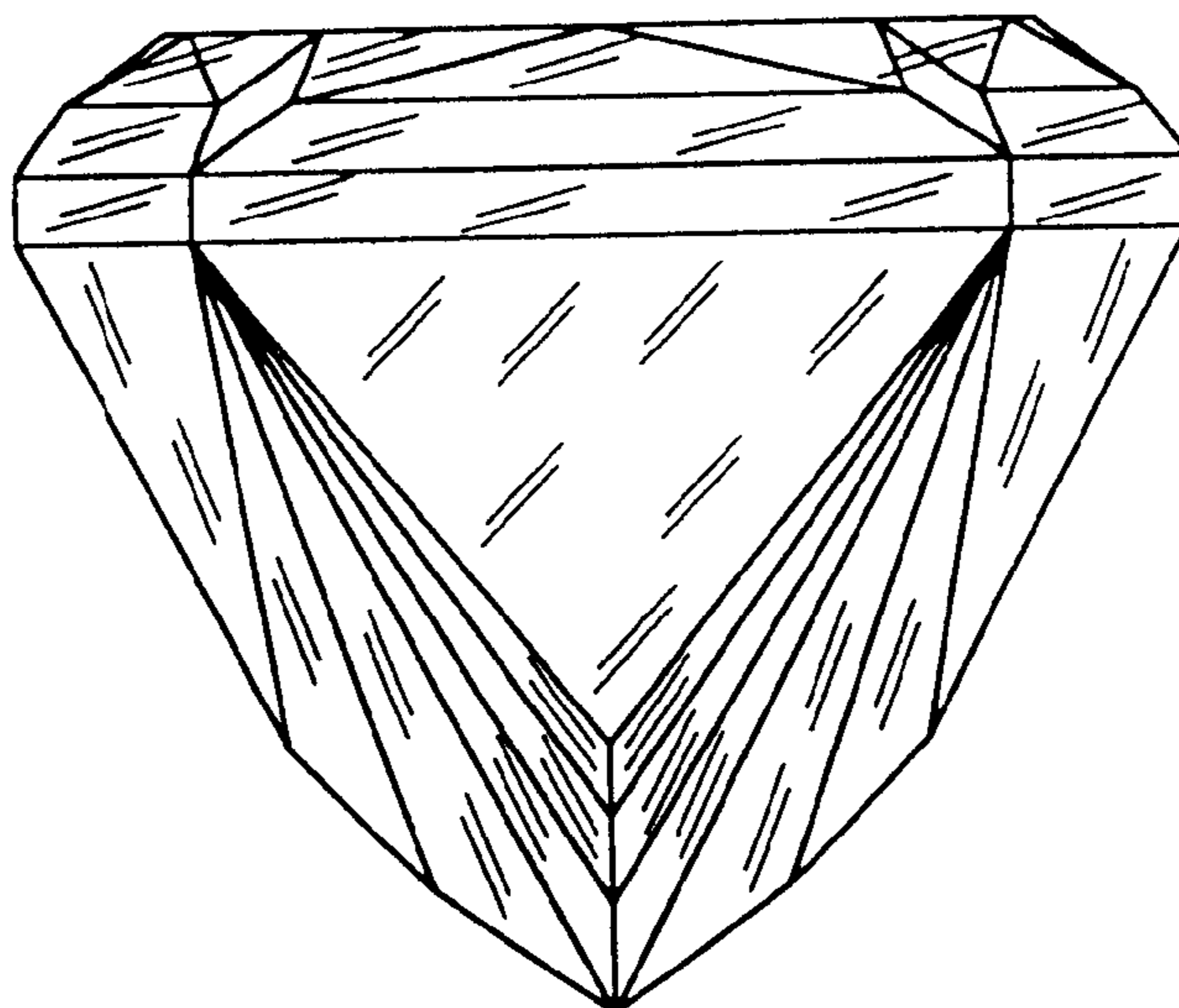


FIG. 5  
REAR VIEW

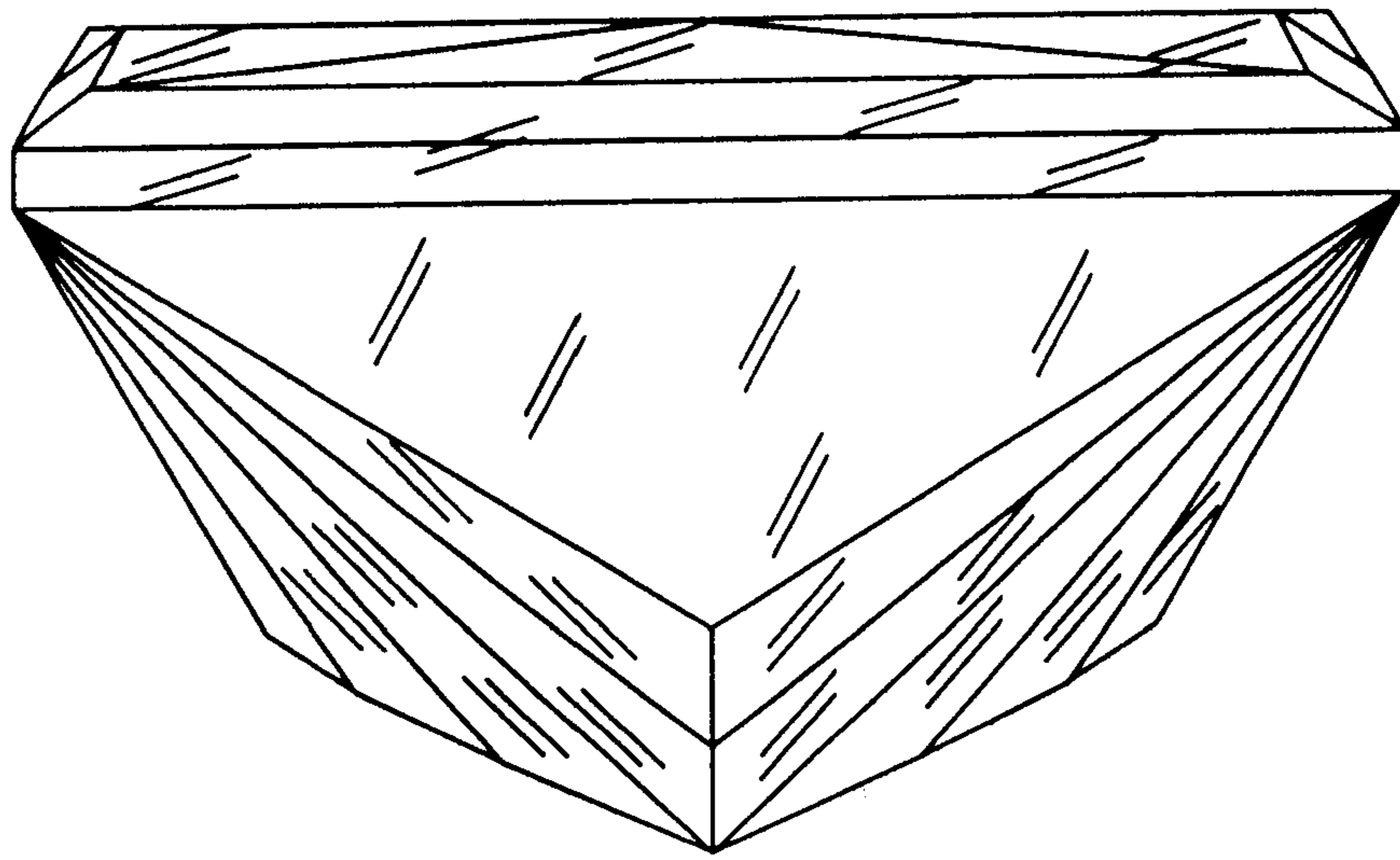


FIG. 6

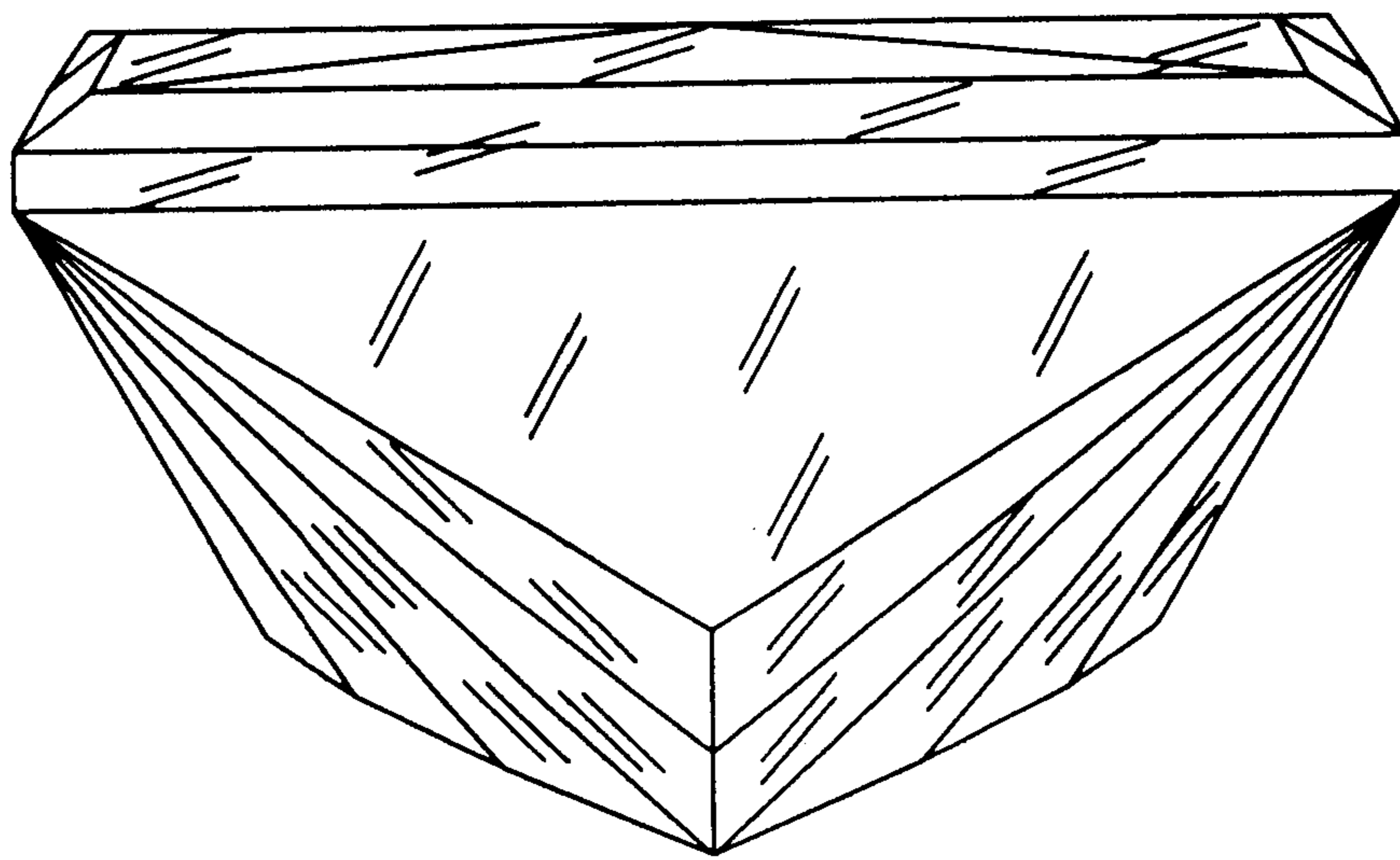


FIG. 7