



US00D458558S

(12) **United States Design Patent**  
**Tschetter**

(10) **Patent No.:** **US D458,558 S**

(45) **Date of Patent:** **\*\* Jun. 11, 2002**

(54) **RING HAVING A SLIDABLE CARRIER**

(76) Inventor: **Patricia Tschetter**, 5829 Joyce Way,  
Dallas, TX (US) 75225-1624

(\*\*) Term: **14 Years**

(21) Appl. No.: **29/143,409**

(22) Filed: **Jun. 13, 2001**

(51) **LOC (7) Cl.** ..... **11-01**

(52) **U.S. Cl.** ..... **D11/26**

(58) **Field of Search** ..... D11/26-39, 3;  
63/3, 15, 15.1, 15.2, 15.3, 15.4, 15.45,  
15.5, 15.6, 15.65, 15.7, 15.8, 15.9, 26-28

(56) **References Cited**

**U.S. PATENT DOCUMENTS**

|           |   |           |               |        |
|-----------|---|-----------|---------------|--------|
| 1,855,331 | A | 4/1932    | Bernier       |        |
| D234,000  | S | * 12/1974 | Grun          | D11/38 |
| D262,271  | S | * 12/1981 | Barr          | D11/39 |
| 4,821,533 | A | 4/1989    | Bonnefoy      | 63/3   |
| 5,003,678 | A | 4/1991    | Oganesyan     | 63/15  |
| 5,606,873 | A | 3/1997    | Zeller et al. | 63/15  |
| 5,758,945 | A | 6/1998    | Lima          | 63/15  |
| D424,965  | S | * 5/2000  | Gueit         | D11/26 |
| 6,065,971 | A | 5/2000    | Lennon        | 63/15  |
| D434,688  | S | * 12/2000 | Bulgari       | D11/26 |

|           |    |           |               |        |
|-----------|----|-----------|---------------|--------|
| D434,994  | S  | * 12/2000 | Ferreira      | D11/26 |
| D435,475  | S  | * 12/2000 | Canty         | D11/26 |
| D439,189  | S  | * 3/2001  | Gueit         | D11/26 |
| 6,260,383 | B1 | * 7/2001  | Warren et al. | 63/15  |
| D450,009  | S  | * 11/2001 | Molfese       | D11/26 |

**OTHER PUBLICATIONS**

Sandra Enterline's *American Art Jewelry Today*, p. 93 (1994).

\* cited by examiner

*Primary Examiner*—Cathy Anne MacCormac

(74) *Attorney, Agent, or Firm*—Gardere Wynne Sewell LLP; Sanford E. Warren, Jr.; Kenneth T. Emanuelson

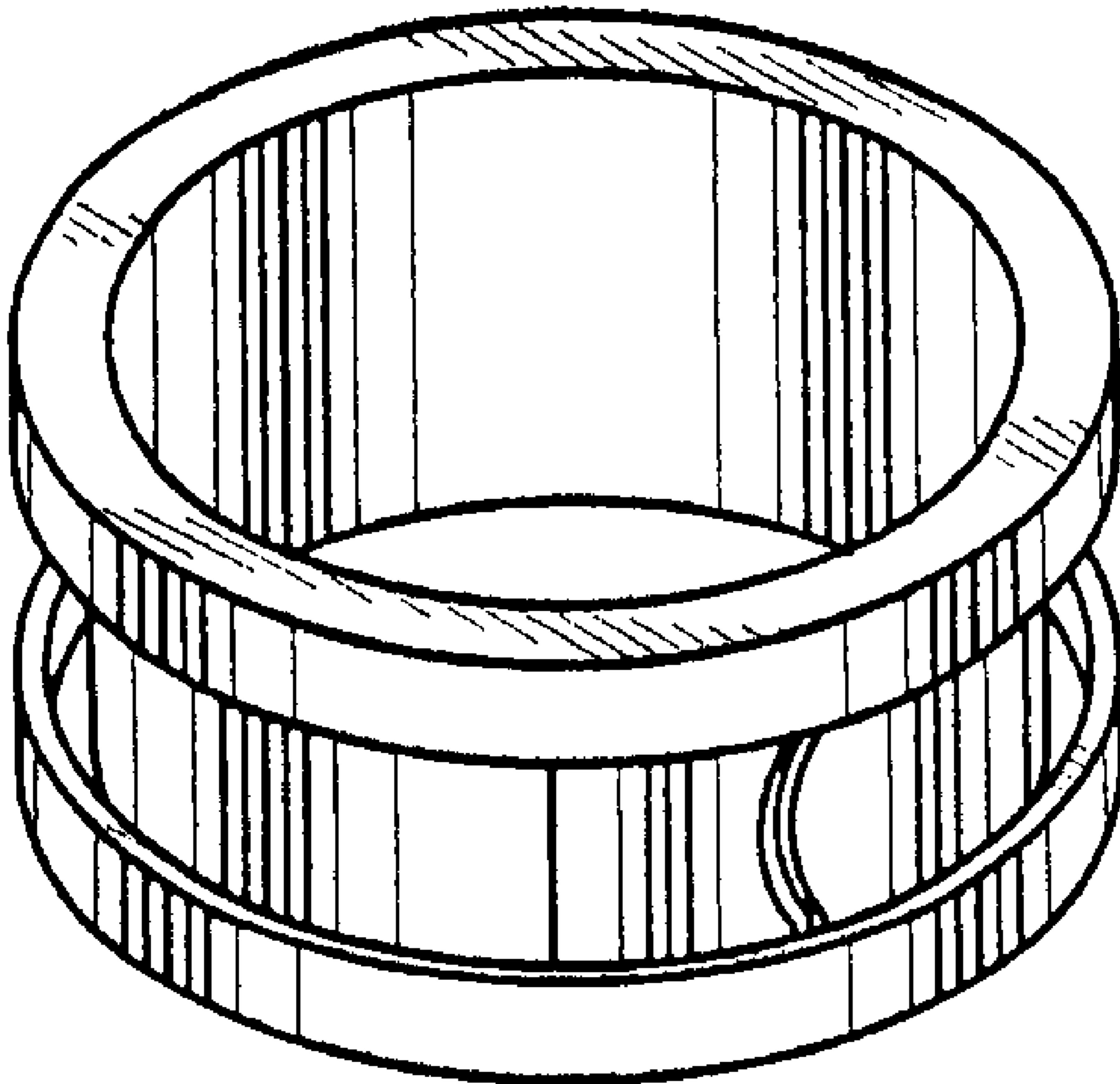
(57) **CLAIM**

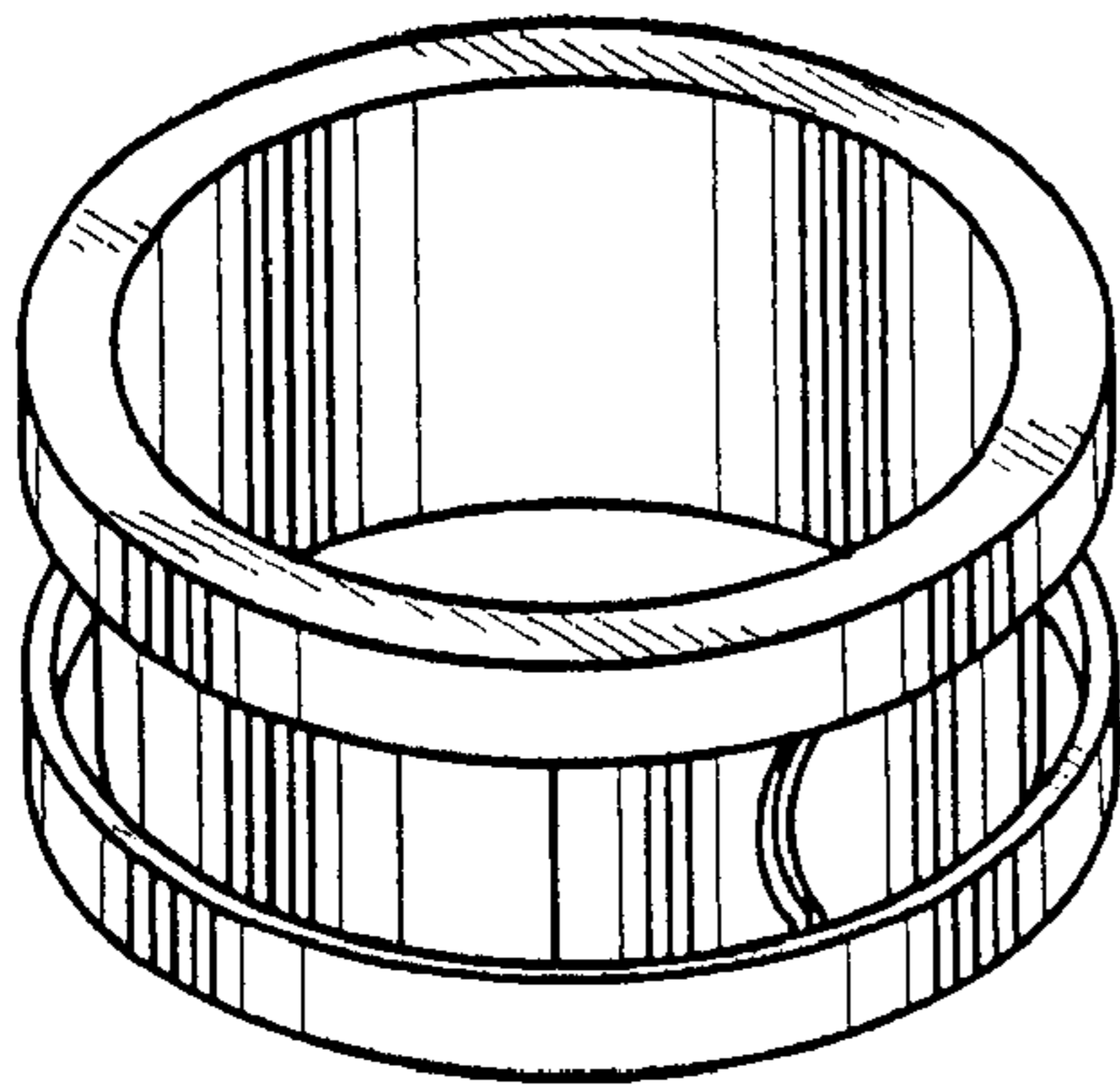
The ornamental design for the ring having a slidable carrier, as shown and described.

**DESCRIPTION**

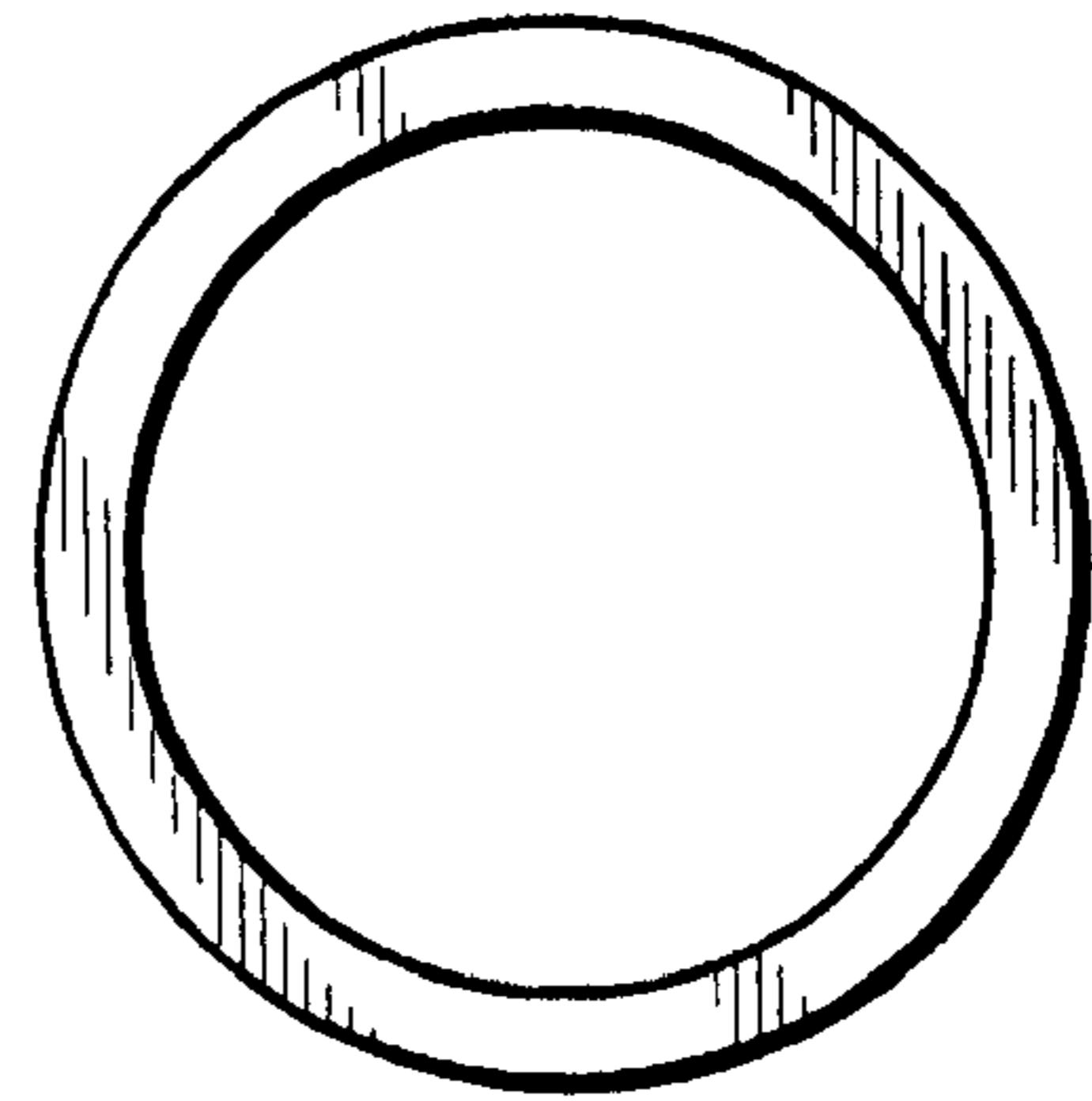
FIG. 1 is a front perspective view of a ring having a slidable carrier of new design;  
FIG. 2 is a top view thereof;  
FIG. 3 is a front elevation view thereof;  
FIG. 4 is a rear elevation view thereof; and,  
FIG. 5 is a left side elevation view thereof.

**1 Claim, 1 Drawing Sheet**

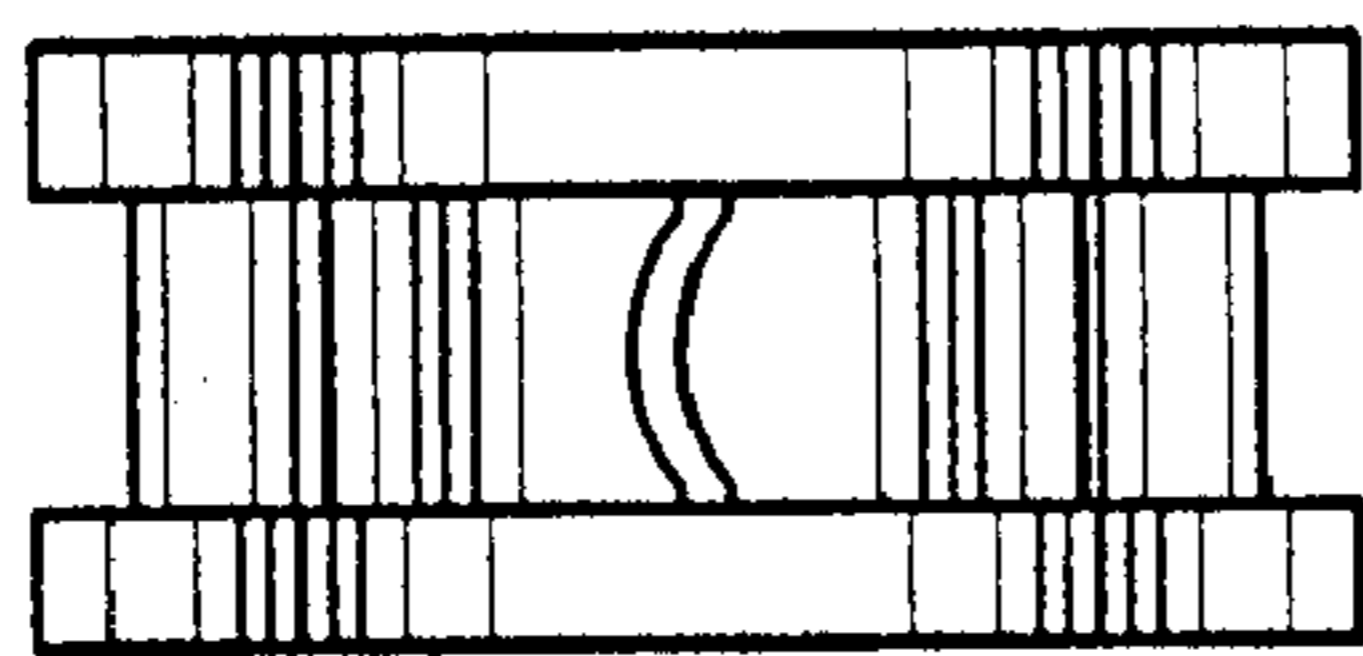




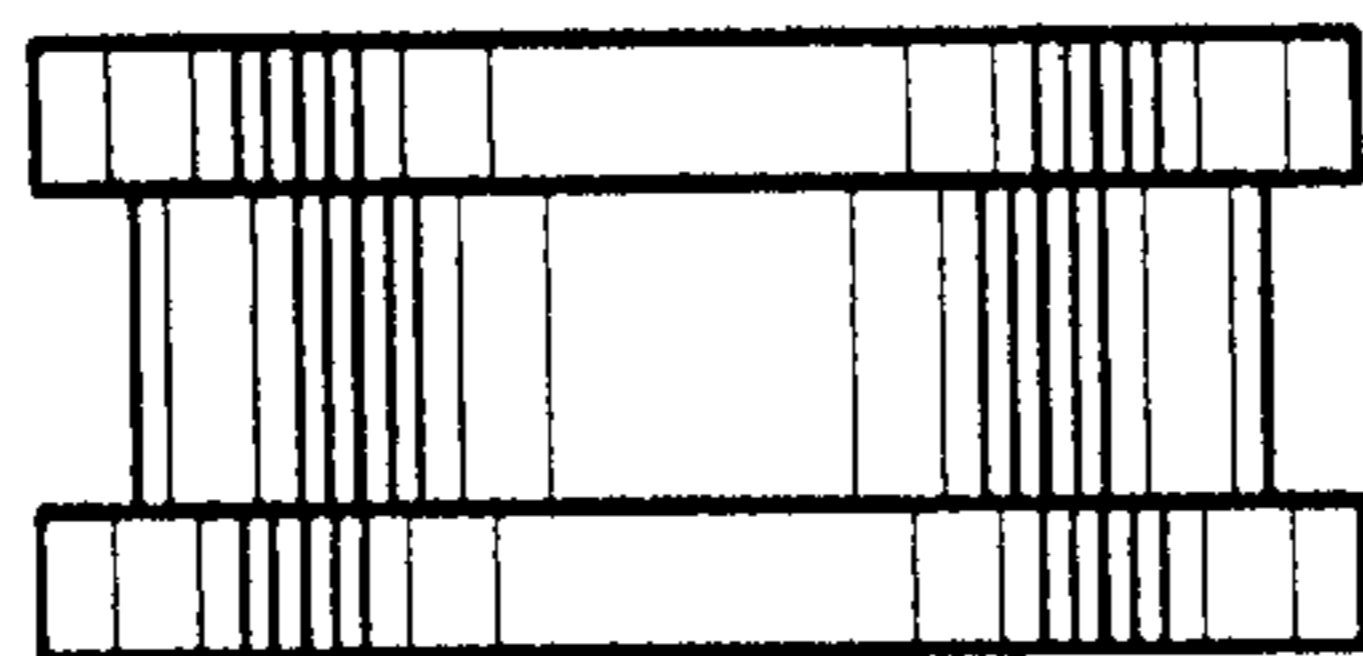
*Fig.1*



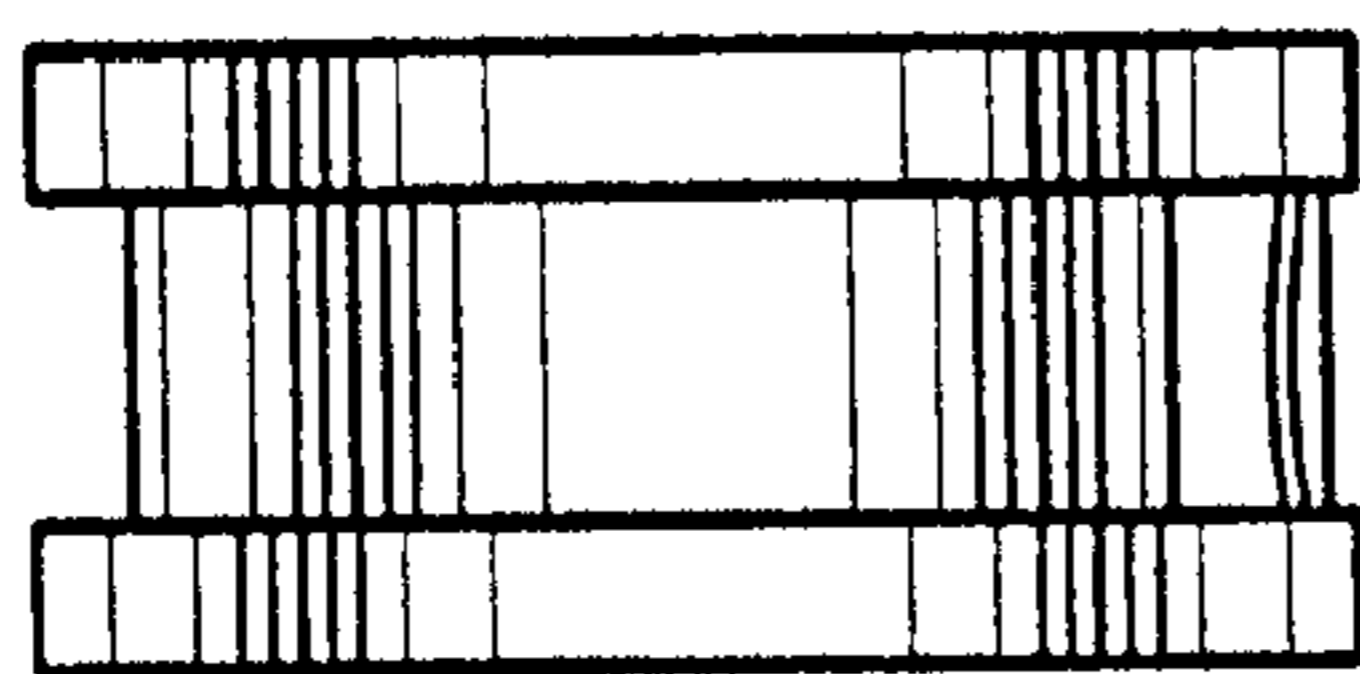
*Fig.2*



*Fig.3*



*Fig.4*



*Fig.5*