



US00D458550S

(12) **United States Design Patent**
Hsu

(10) **Patent No.:** **US D458,550 S**

(45) **Date of Patent:** **** Jun. 11, 2002**

(54) **MEASURING TAPE**

(76) Inventor: **Cheng-Hui Hsu**, No. 126-128, Pao
Chung Rd., Hsin-Tien, Taipei Hsien
(TW)

(**) Term: **14 Years**

(21) Appl. No.: **29/149,885**

(22) Filed: **Oct. 22, 2001**

(51) **LOC (7) Cl.** **10-04**

(52) **U.S. Cl.** **D10/72**

(58) **Field of Search** D10/72; 33/755-770

(56) **References Cited**

U.S. PATENT DOCUMENTS

5,820,057 A * 10/1998 Decarolls et al. 33/761 X
D440,891 S * 4/2001 Ponce D10/72

* cited by examiner

Primary Examiner—Antoine Duval Davis

(74) *Attorney, Agent, or Firm*—Bacon & Thomas, PLLC

(57) **CLAIM**

The ornamental design for a measuring tape, as shown.

DESCRIPTION

FIG. 1 is a front elevational view of the measuring tape;

FIG. 2 is a rear elevational view thereof;

FIG. 3 is a left side view thereof;

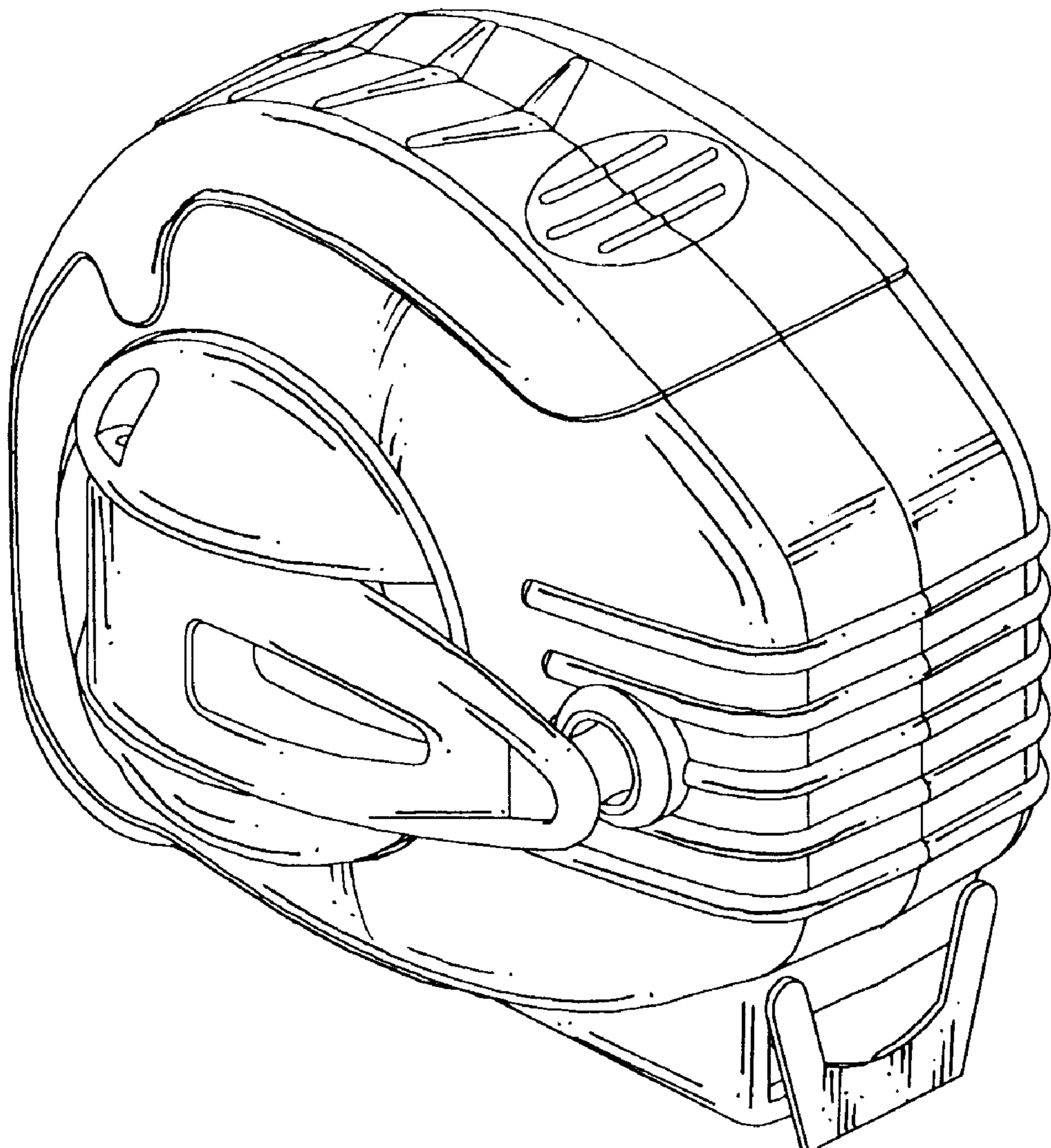
FIG. 4 is a right side view thereof;

FIG. 5 is a top view thereof;

FIG. 6 is a bottom view thereof; and,

FIG. 7 is a perspective view thereof.

1 Claim, 4 Drawing Sheets



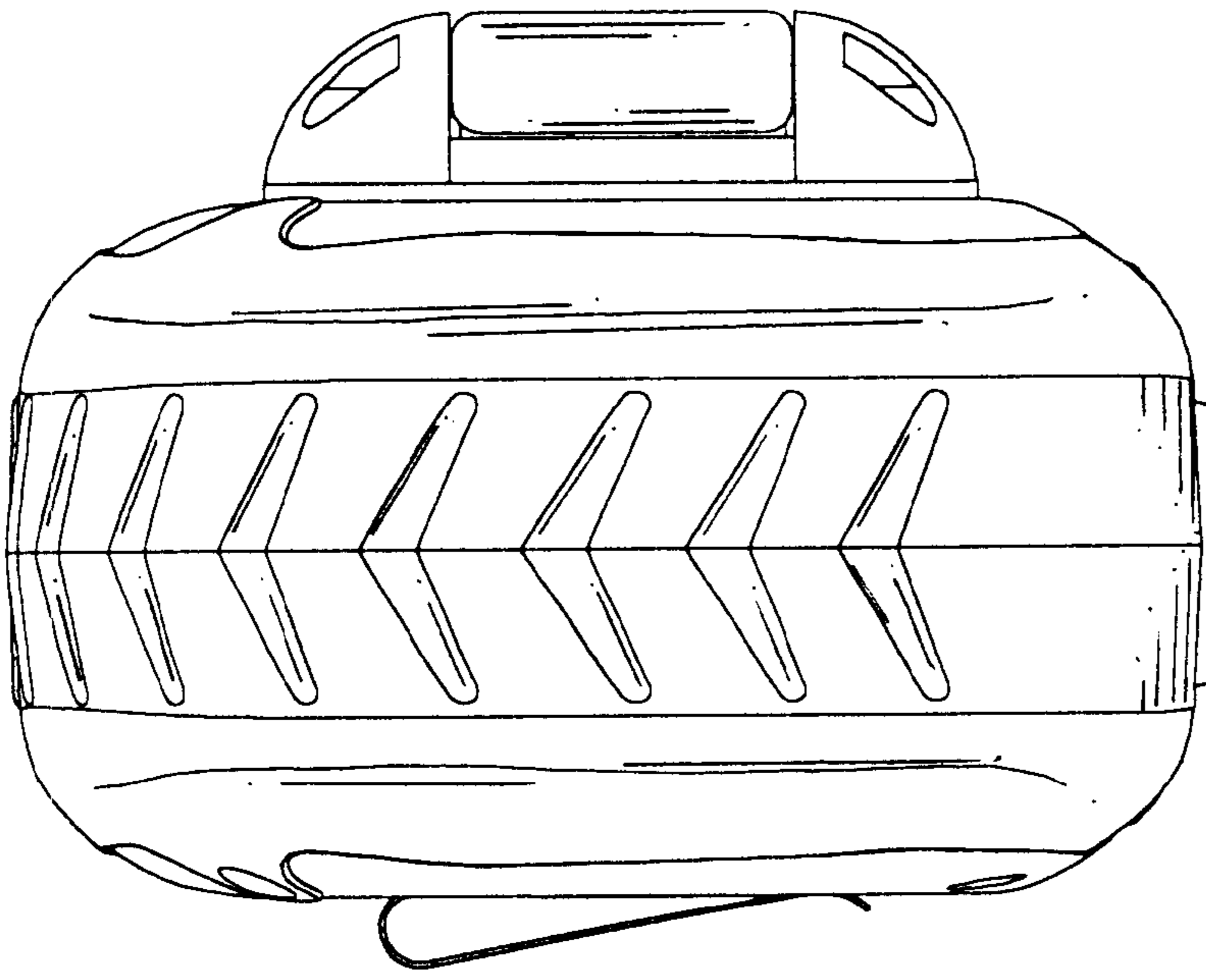


FIG. 2

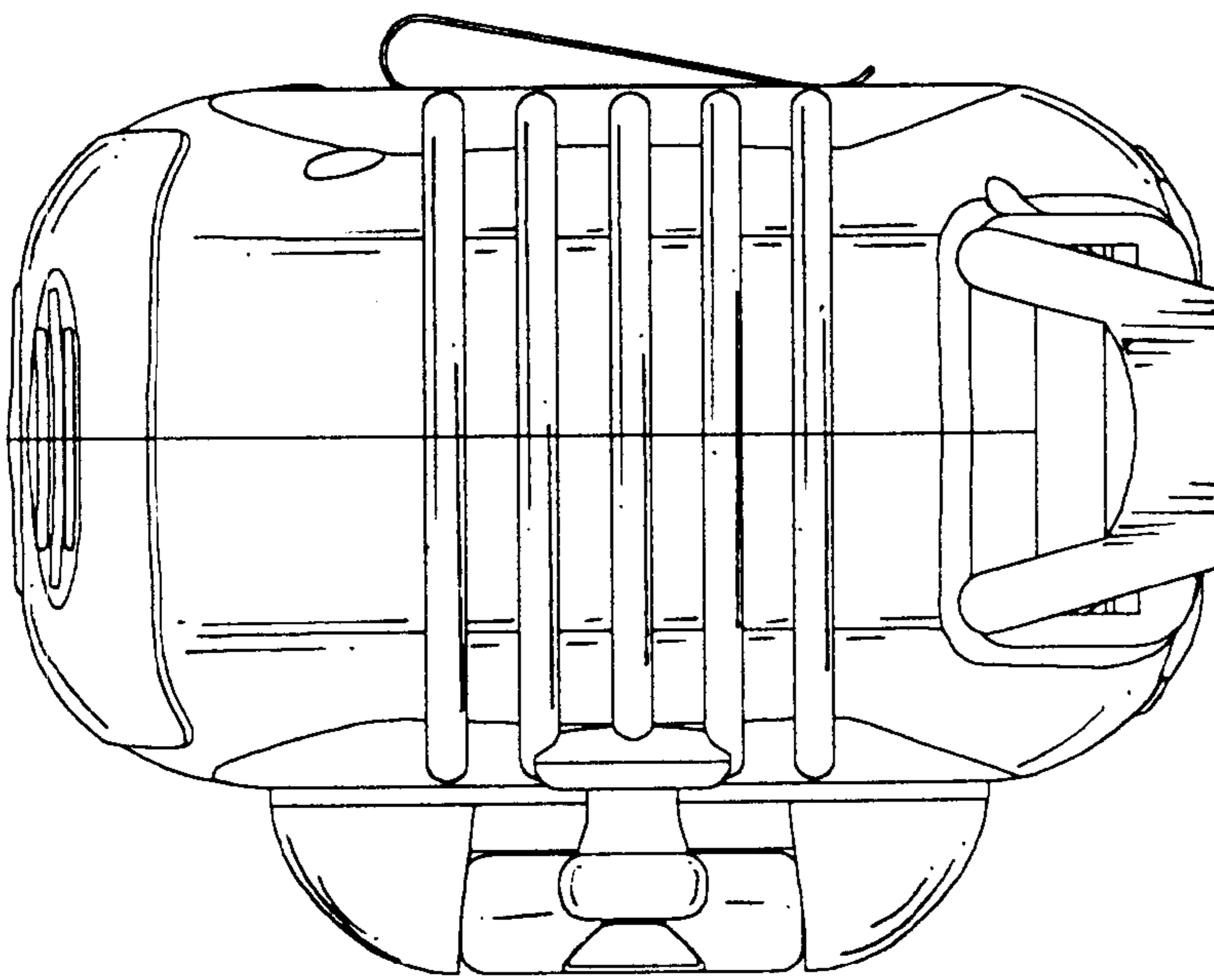


FIG. 1

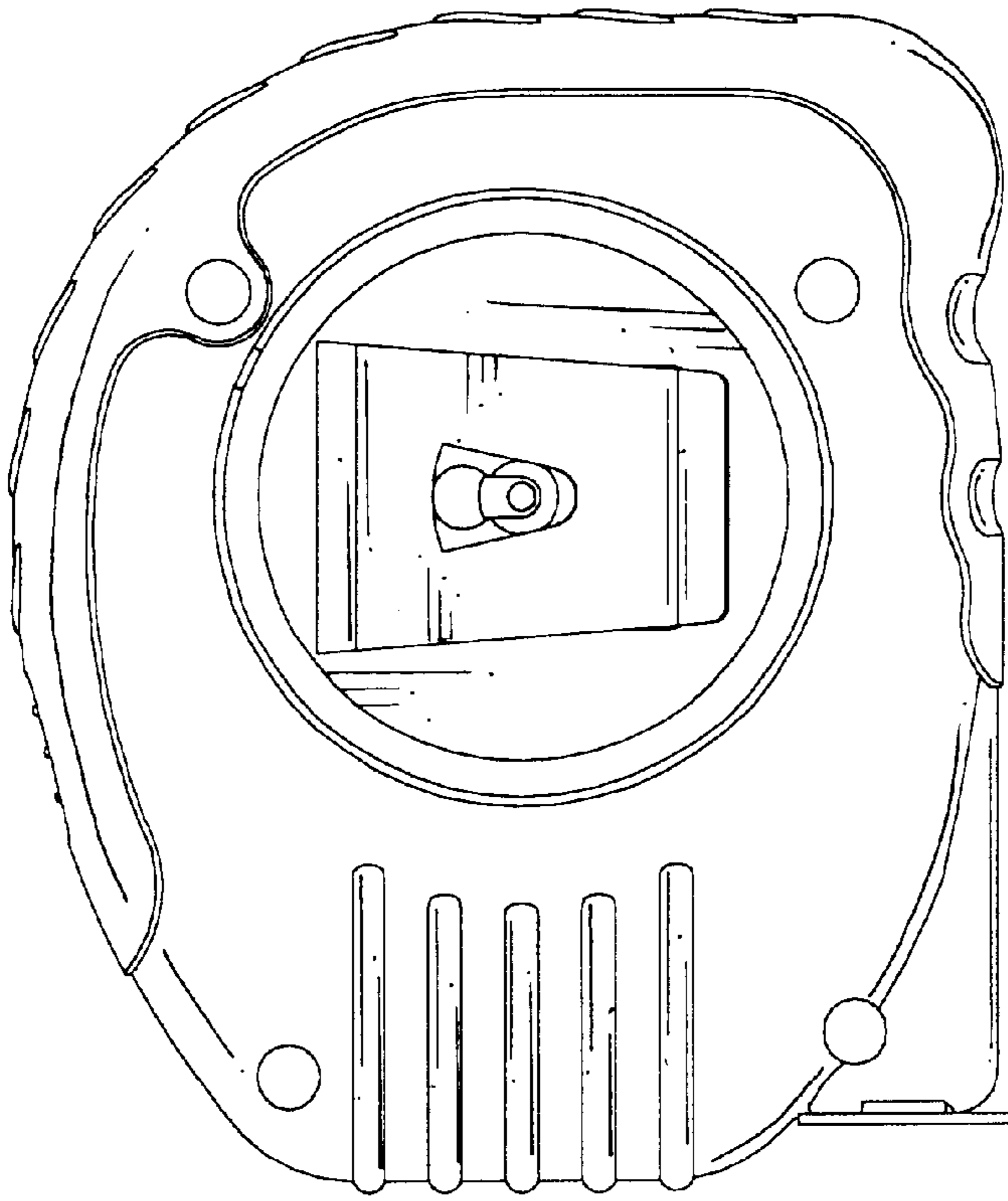


FIG. 4

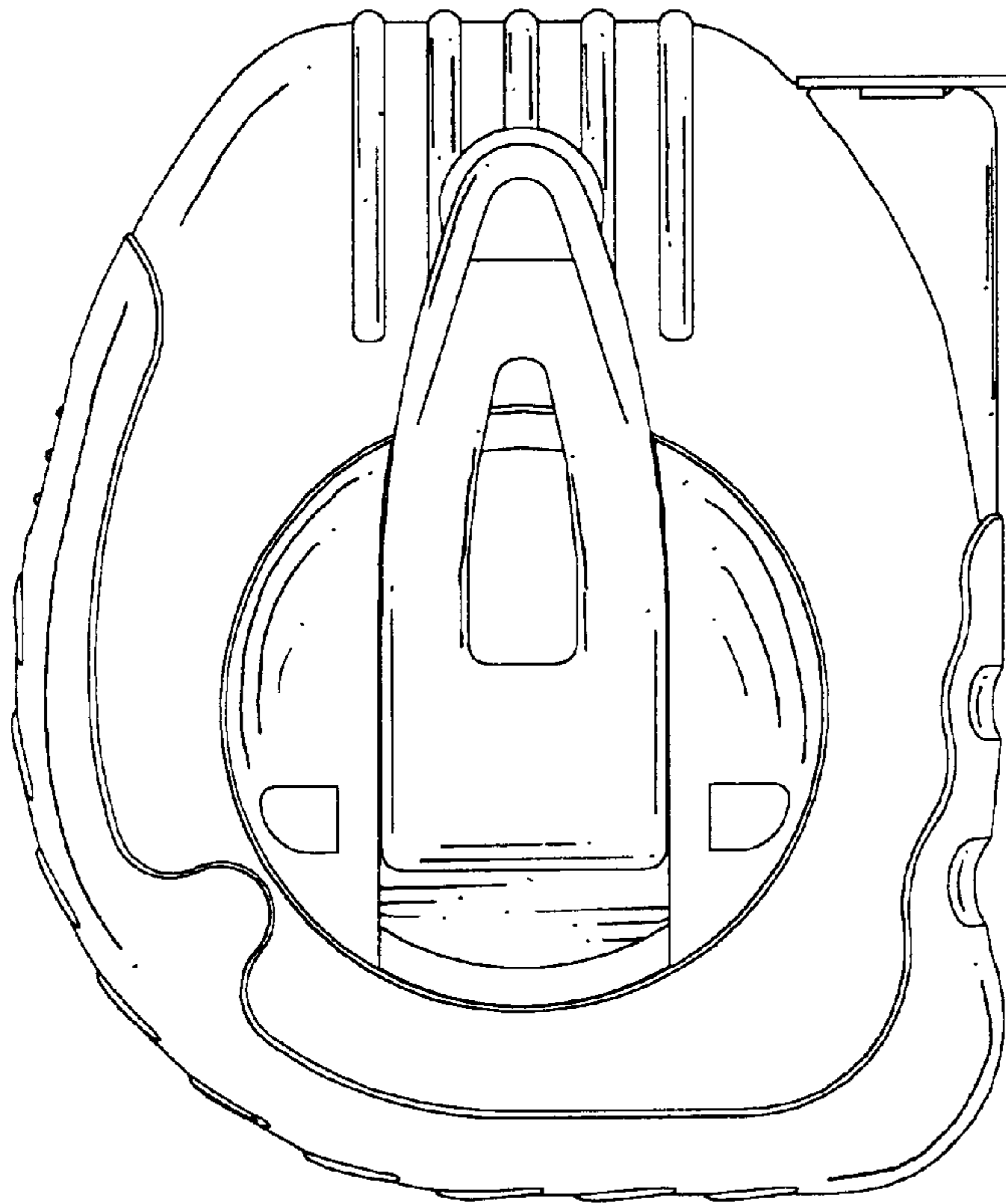


FIG. 3

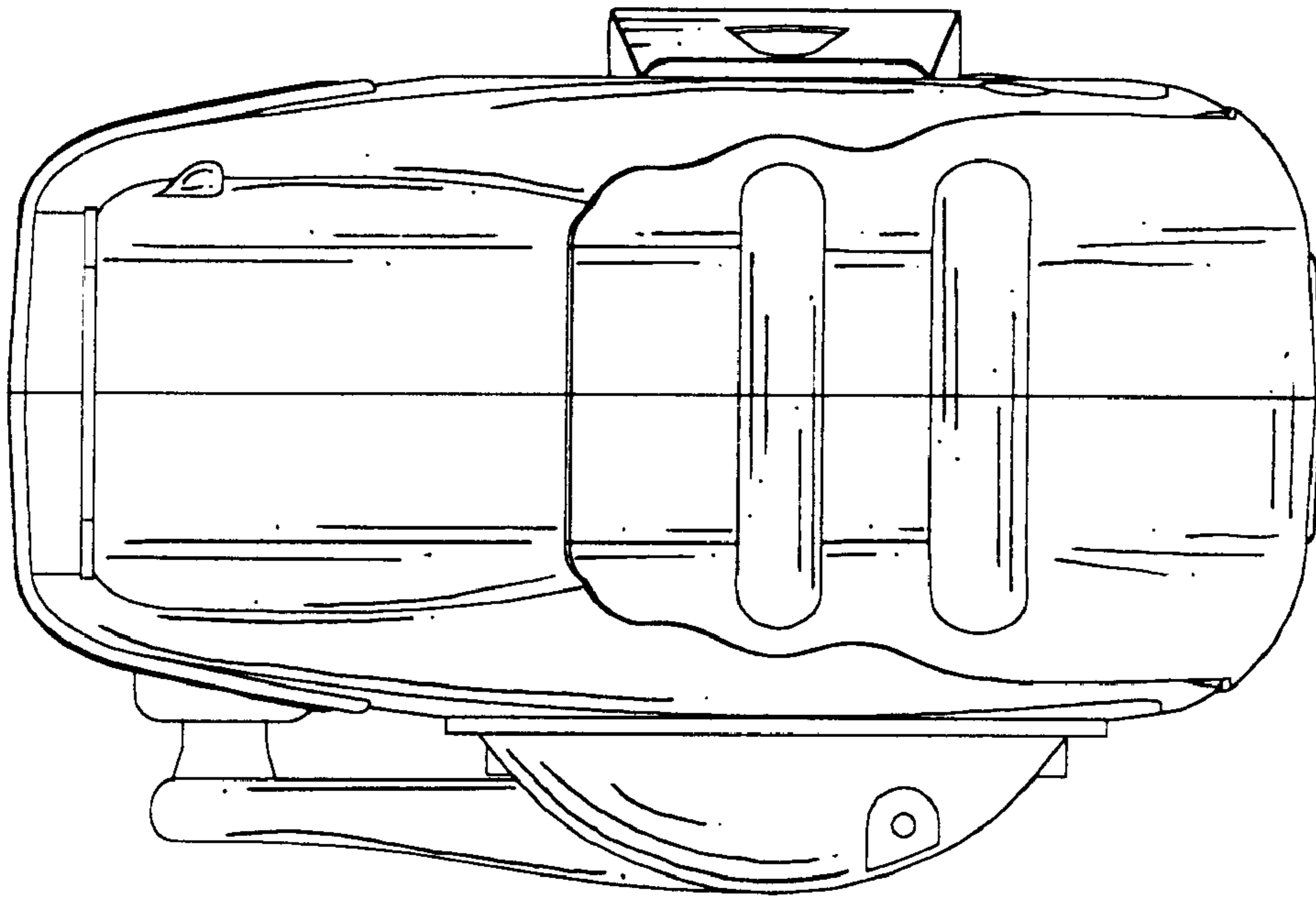


FIG. 6

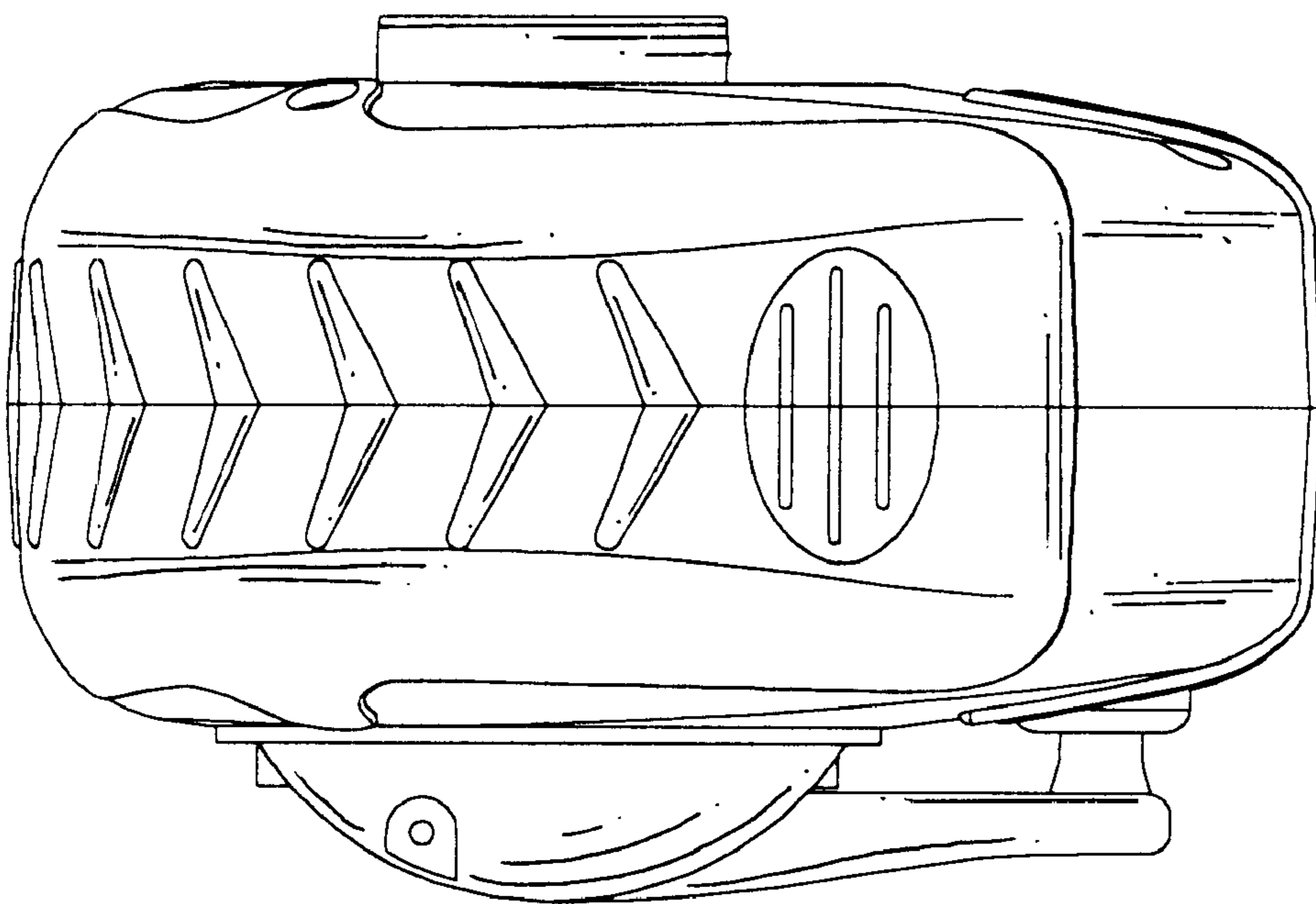


FIG. 5

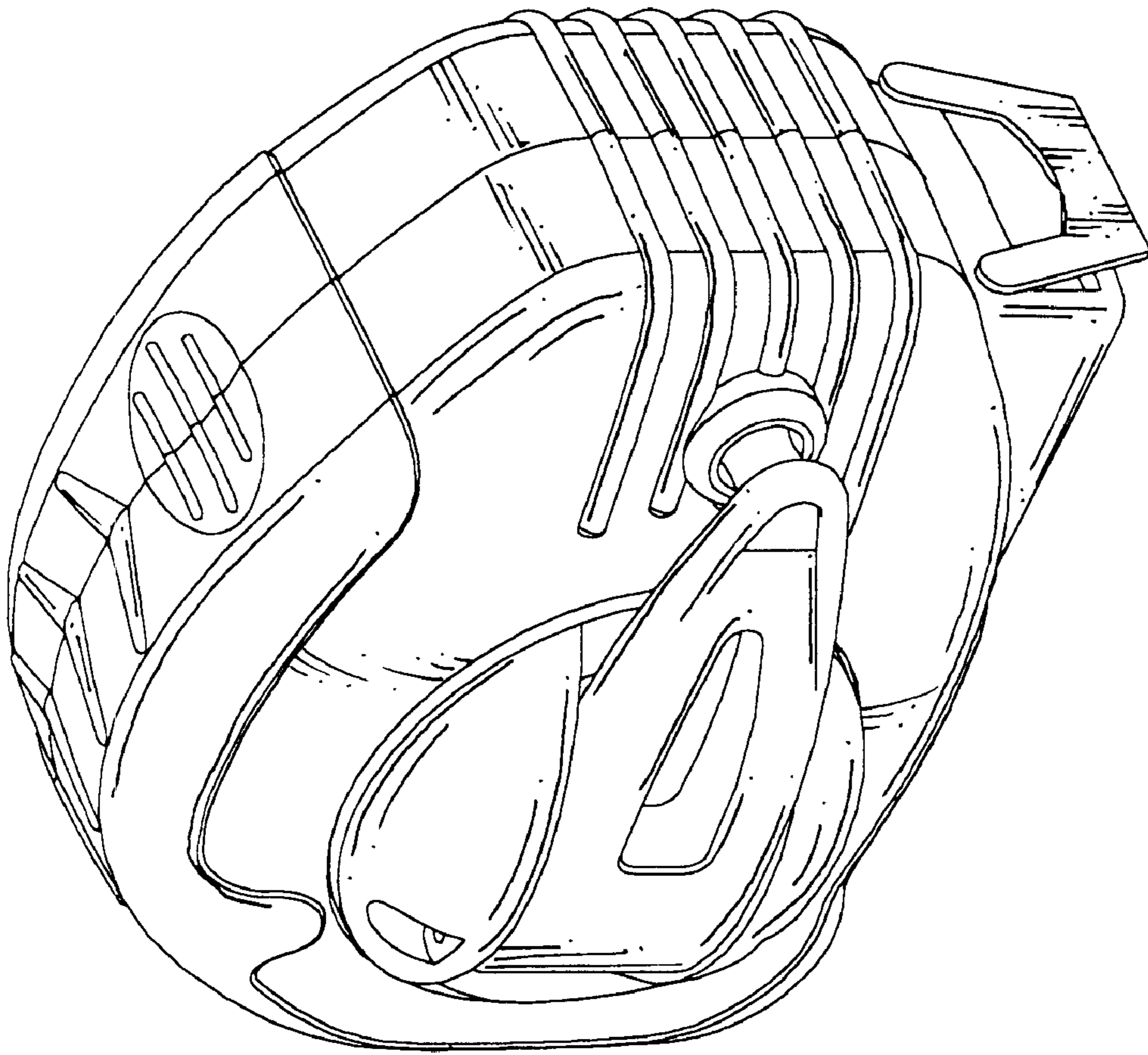


FIG. 7