



US00D458546S

(12) **United States Design Patent**  
**Stekelenburg**

(10) **Patent No.:** **US D458,546 S**

(45) **Date of Patent:** **\*\* Jun. 11, 2002**

(54) **TIMER**

(75) Inventor: **Albert Stekelenburg**, Taipei (TW)

(73) Assignee: **All-Time Inc.** (TW)

(\*\*) Term: **14 Years**

(21) Appl. No.: **29/148,327**

(22) Filed: **Sep. 19, 2001**

(51) **LOC (7) Cl.** ..... **10-03**

(52) **U.S. Cl.** ..... **D10/40**

(58) **Field of Search** ..... D10/1-40, 122-132,  
D10/75; 200/38 R; 307/140 R, 141 R, 141.4;  
368/97-100, 107-109, 121, 246

(56) **References Cited**

**U.S. PATENT DOCUMENTS**

D402,902 S	*	12/1998	Chen	.....	D10/40
D402,903 S	*	12/1998	Chen	.....	D10/40
D428,347 S	*	7/2000	Stekelenburg	.....	D10/40
D431,787 S	*	10/2000	Stekelenburg	.....	D10/40
D432,441 S	*	10/2000	Stekelenburg	.....	D10/40

\* cited by examiner

*Primary Examiner*—Nelson C. Holtje

(74) *Attorney, Agent, or Firm*—Troxell Law Office PLLC

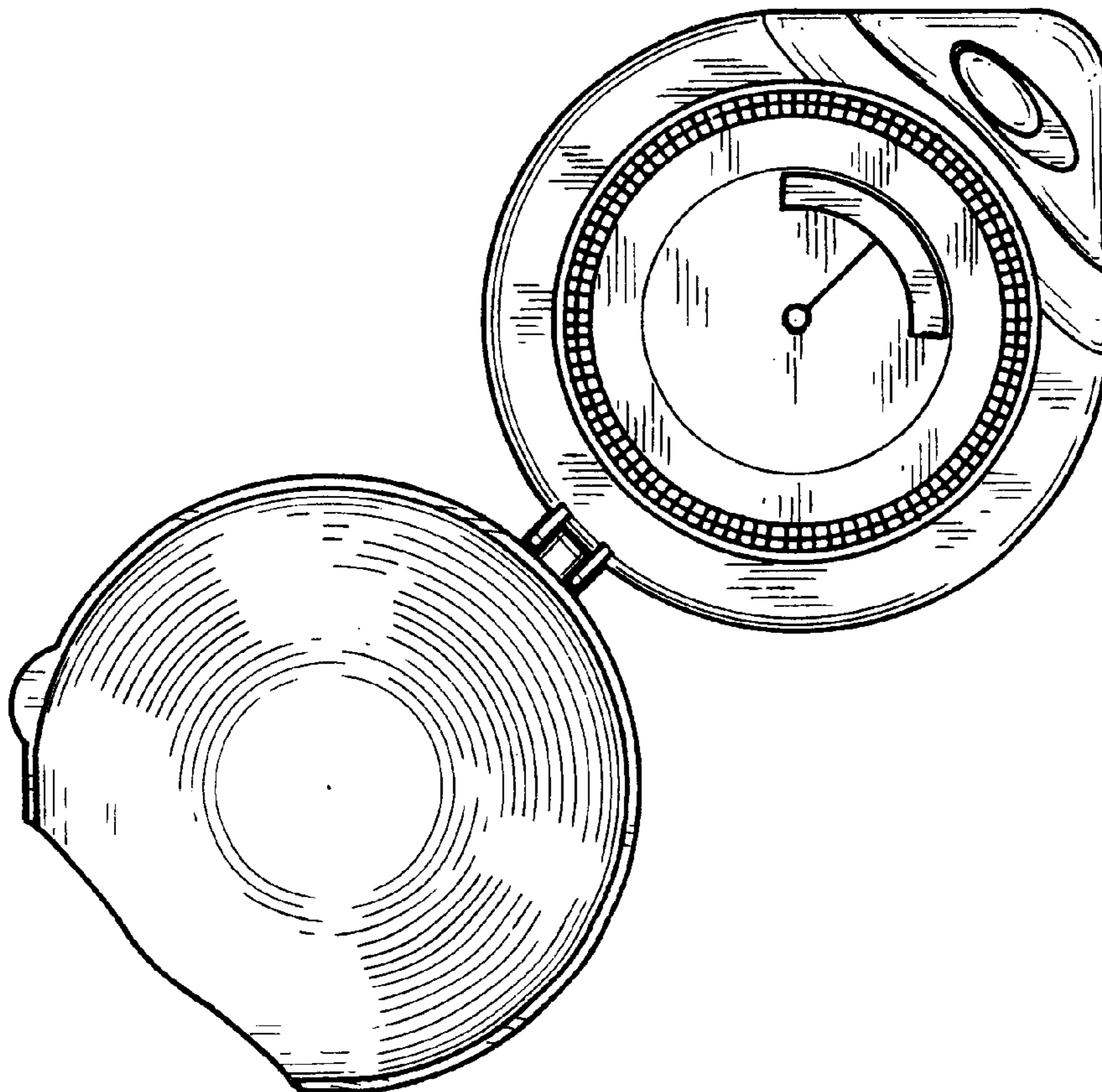
(57) **CLAIM**

The ornamental design for a timer, as shown and described.

**DESCRIPTION**

FIG. 1 is a top view of my timer showing the preferred embodiment of my new design;  
 FIG. 2 is a front view thereof;  
 FIG. 3 is a left side elevational view thereof;  
 FIG. 4 is a bottom view thereof;  
 FIG. 5 is a right side elevational view thereof;  
 FIG. 6 is a rear view thereof;  
 FIG. 7 is a top view thereof with the cover in an open position;  
 FIG. 8 is a front view thereof with the cover in an open position;  
 FIG. 9 is a bottom view thereof with the cover in an open position;  
 FIG. 10 is a right side elevational view thereof with the cover in an open position;  
 FIG. 11 is a left side elevational view thereof with the cover in an open position; and,  
 FIG. 12 is a rear view thereof with the cover in an open position.

**1 Claim, 4 Drawing Sheets**



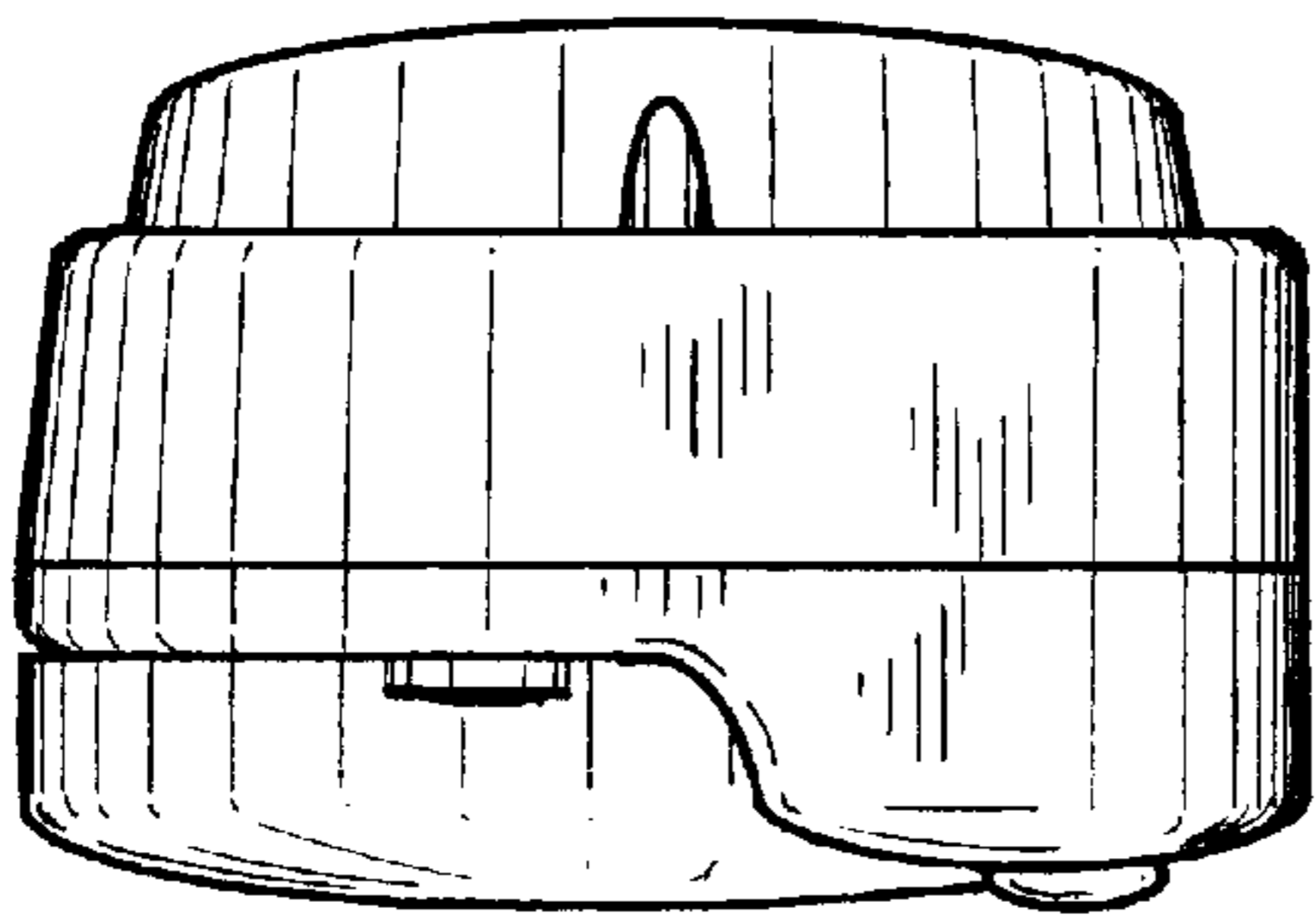


FIG. 1

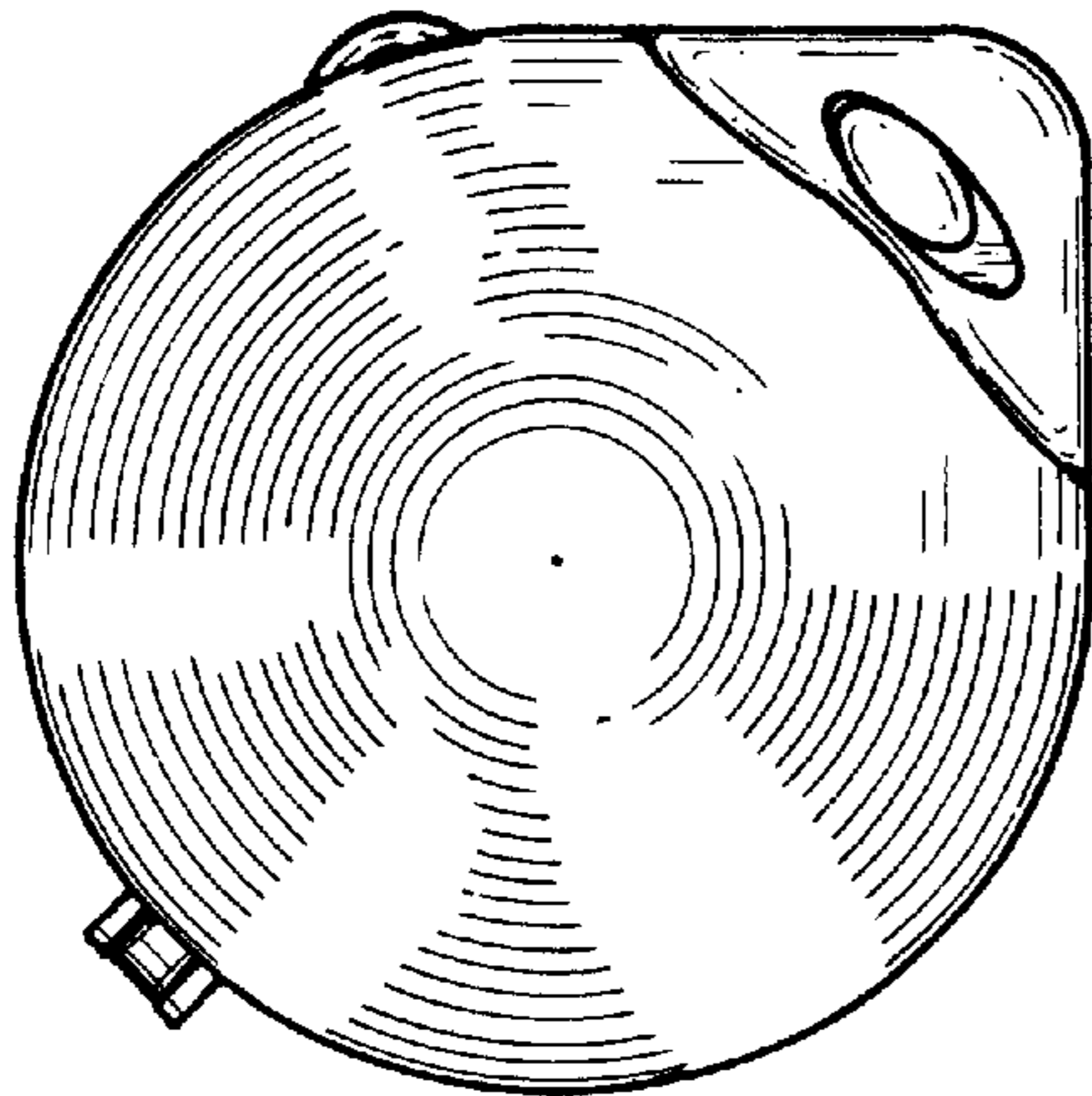


FIG. 2

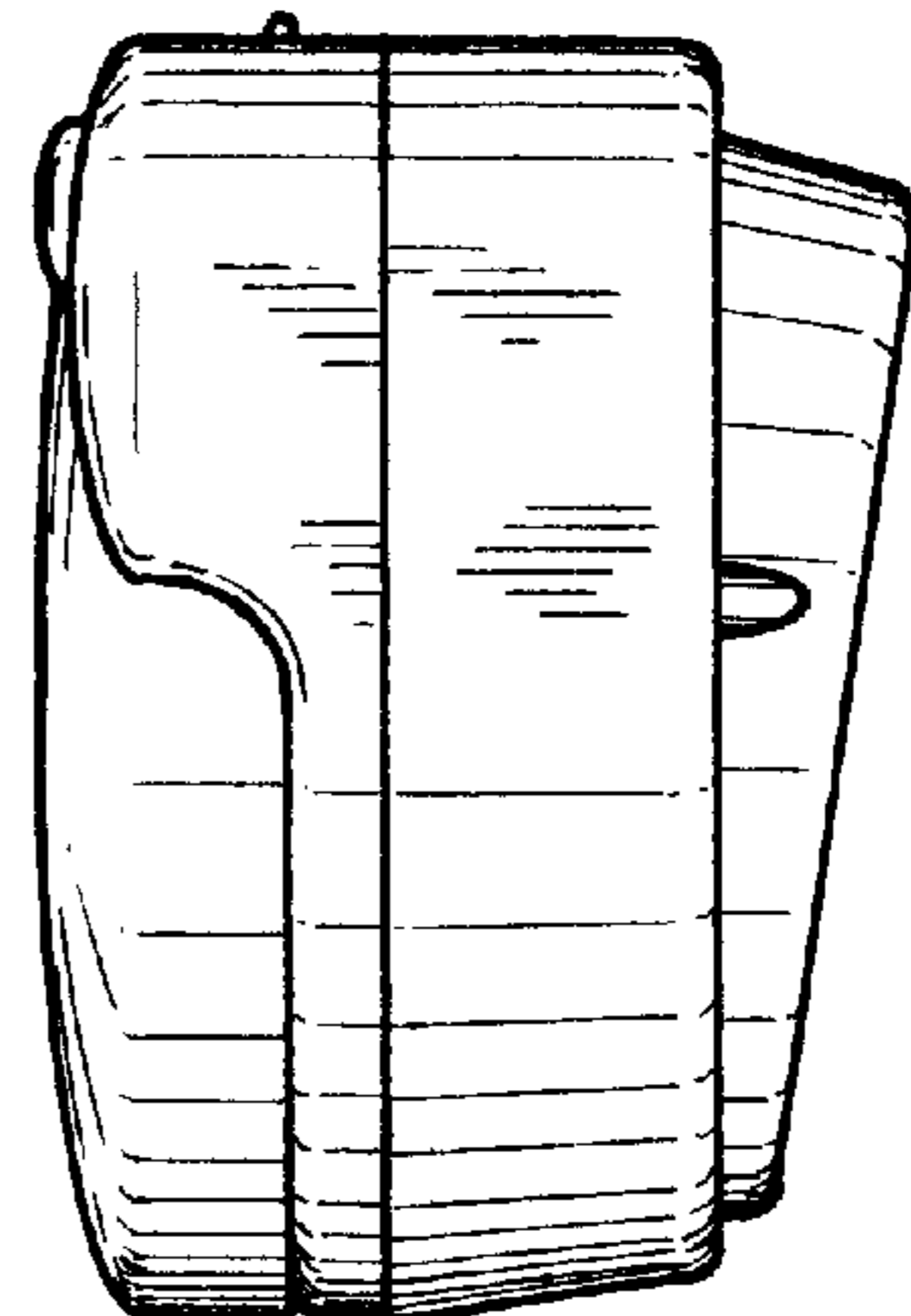


FIG. 3

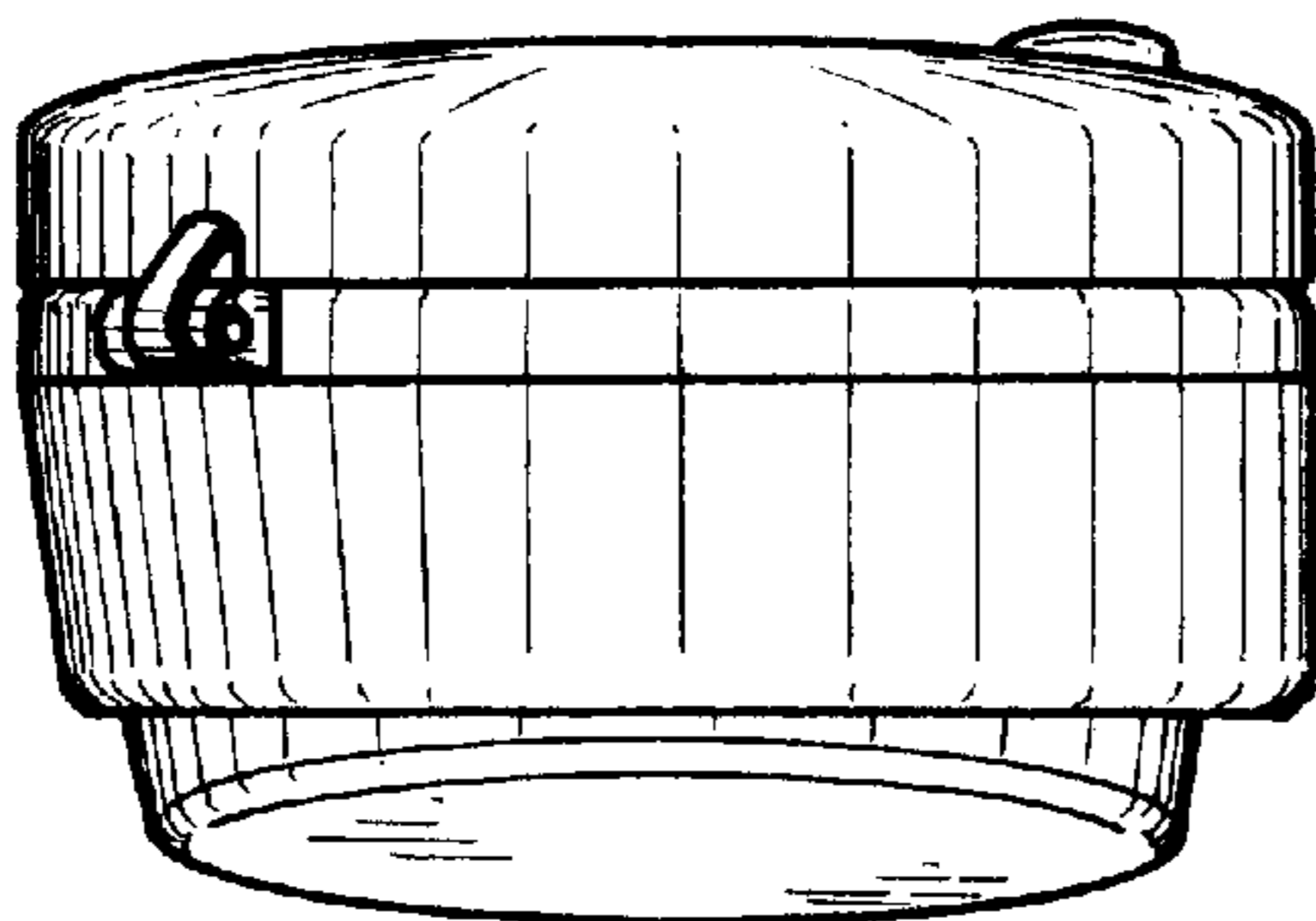


FIG. 4

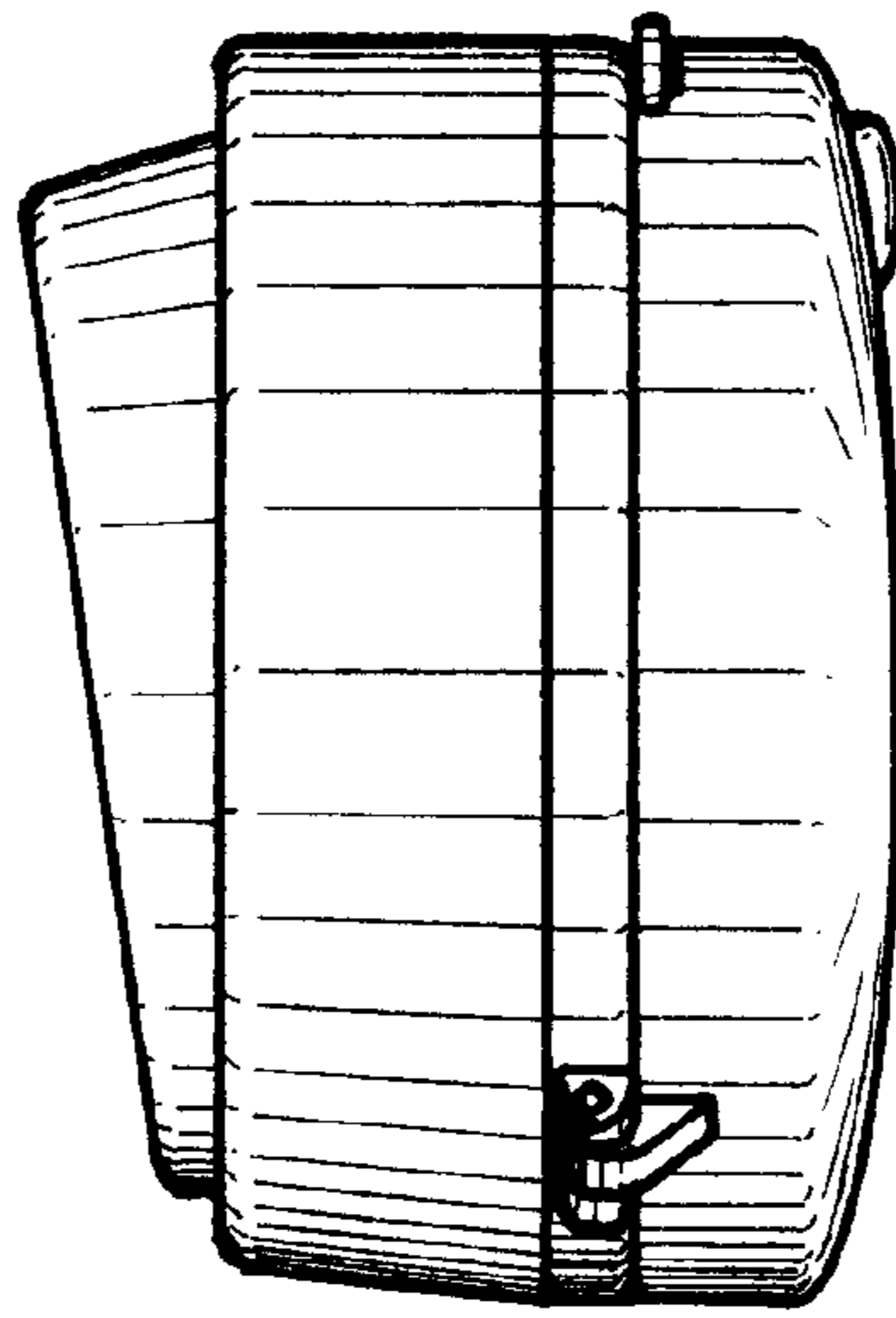


FIG. 5

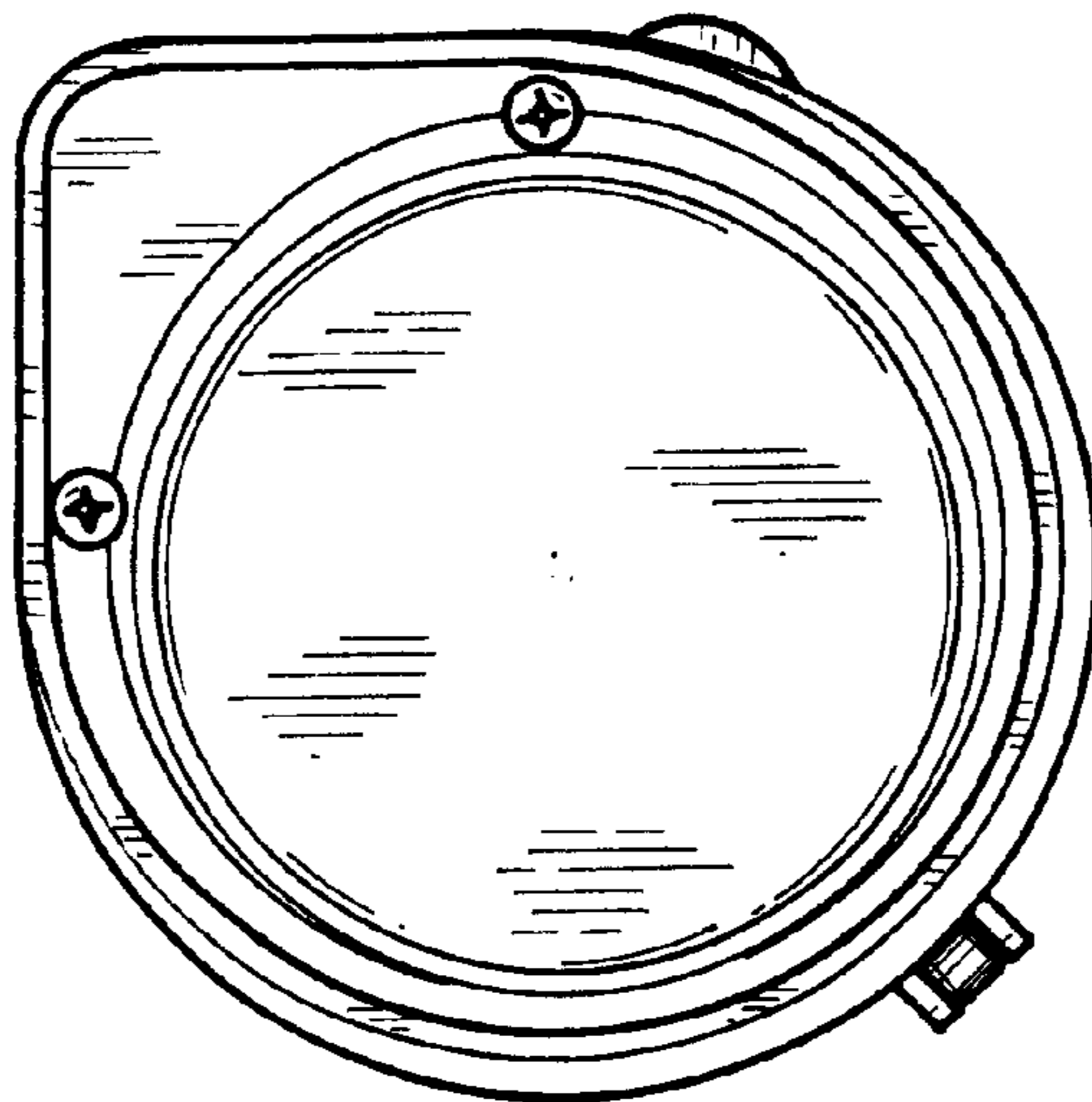


FIG. 6

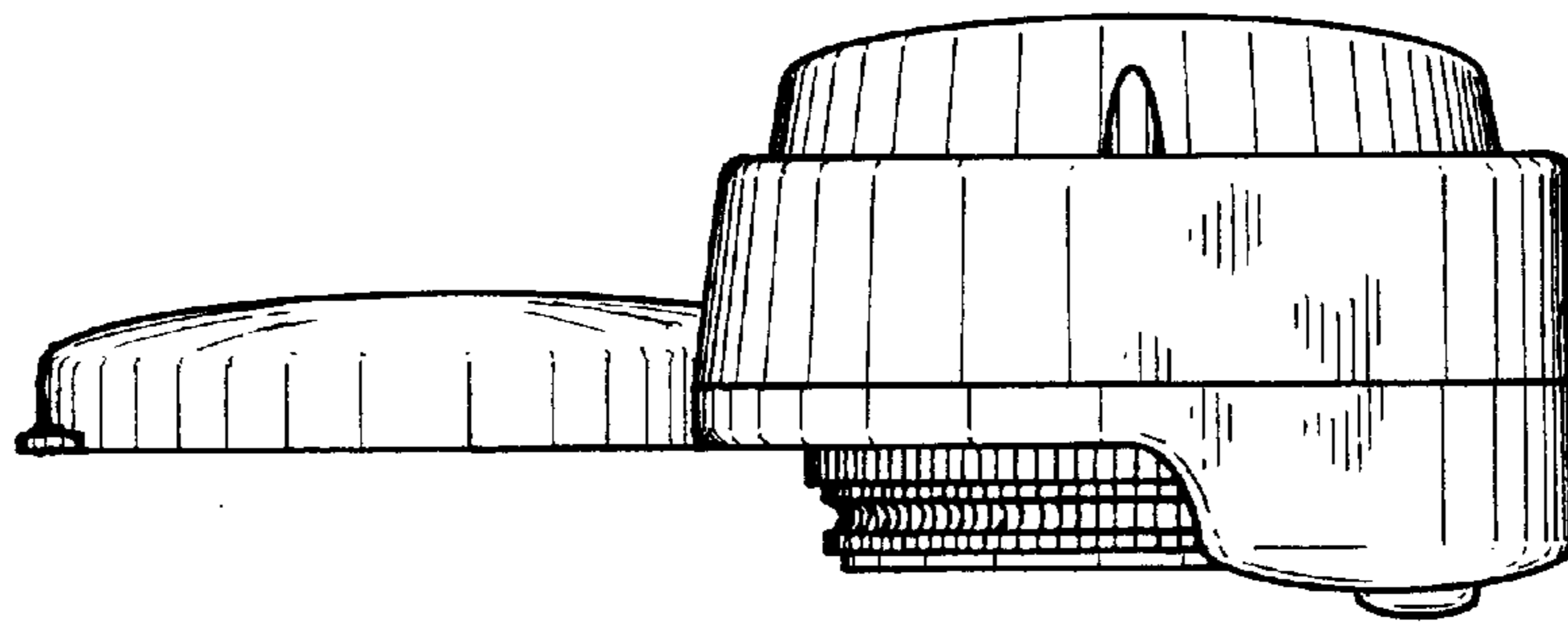


FIG. 7

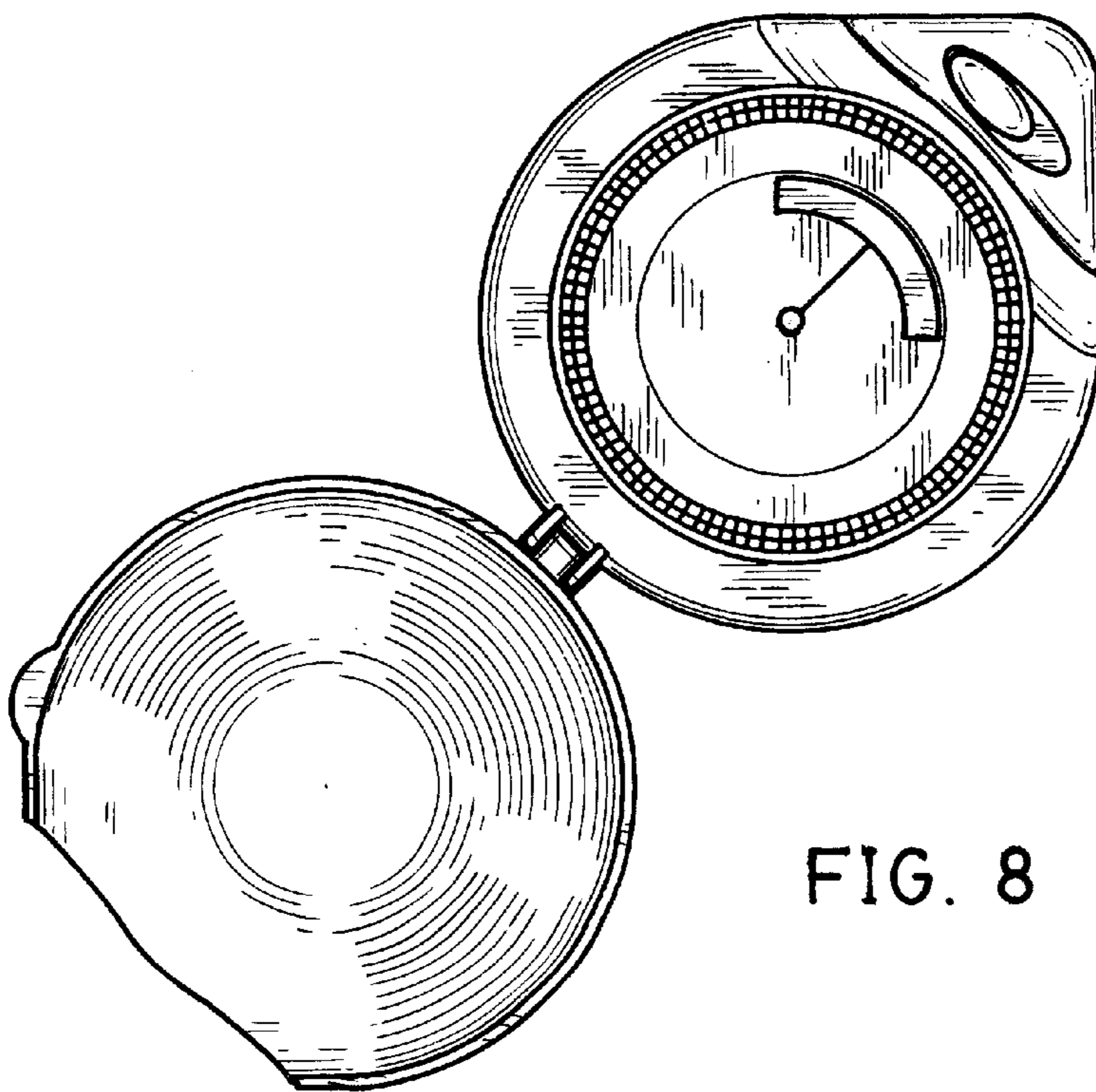


FIG. 8

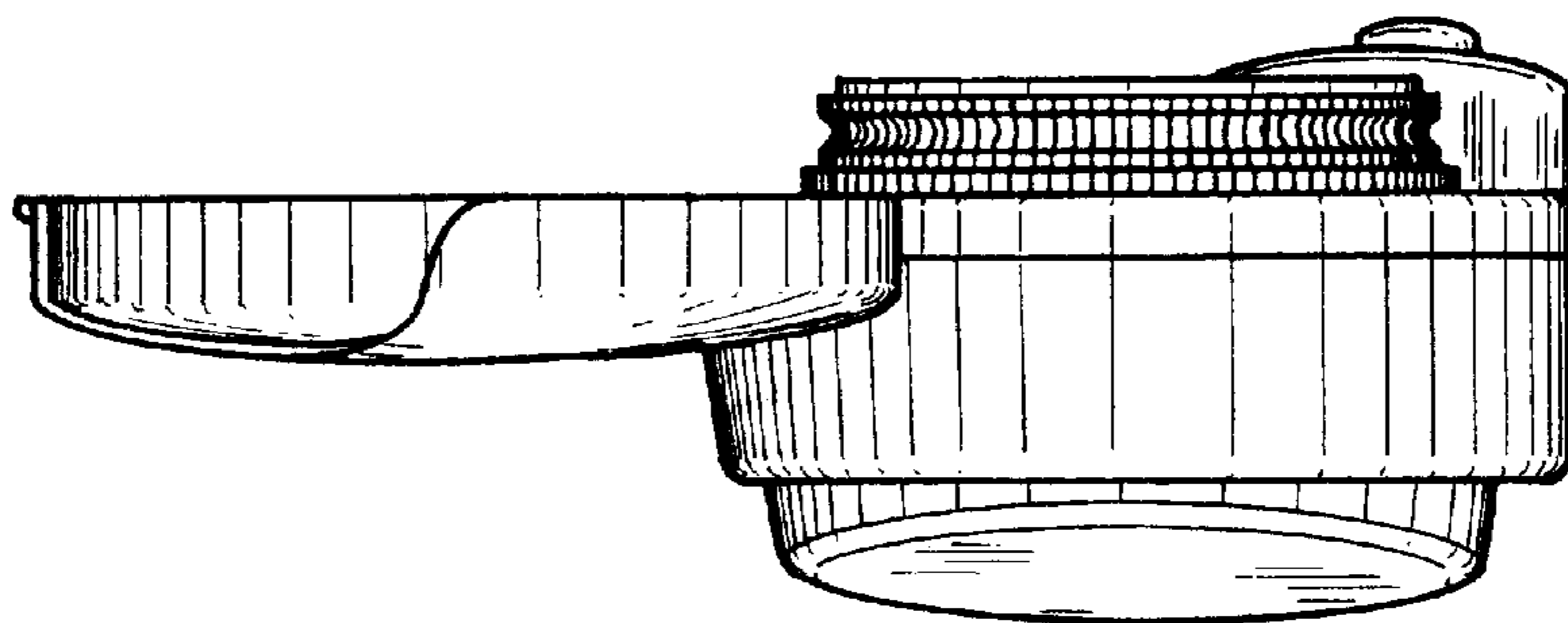


FIG. 9

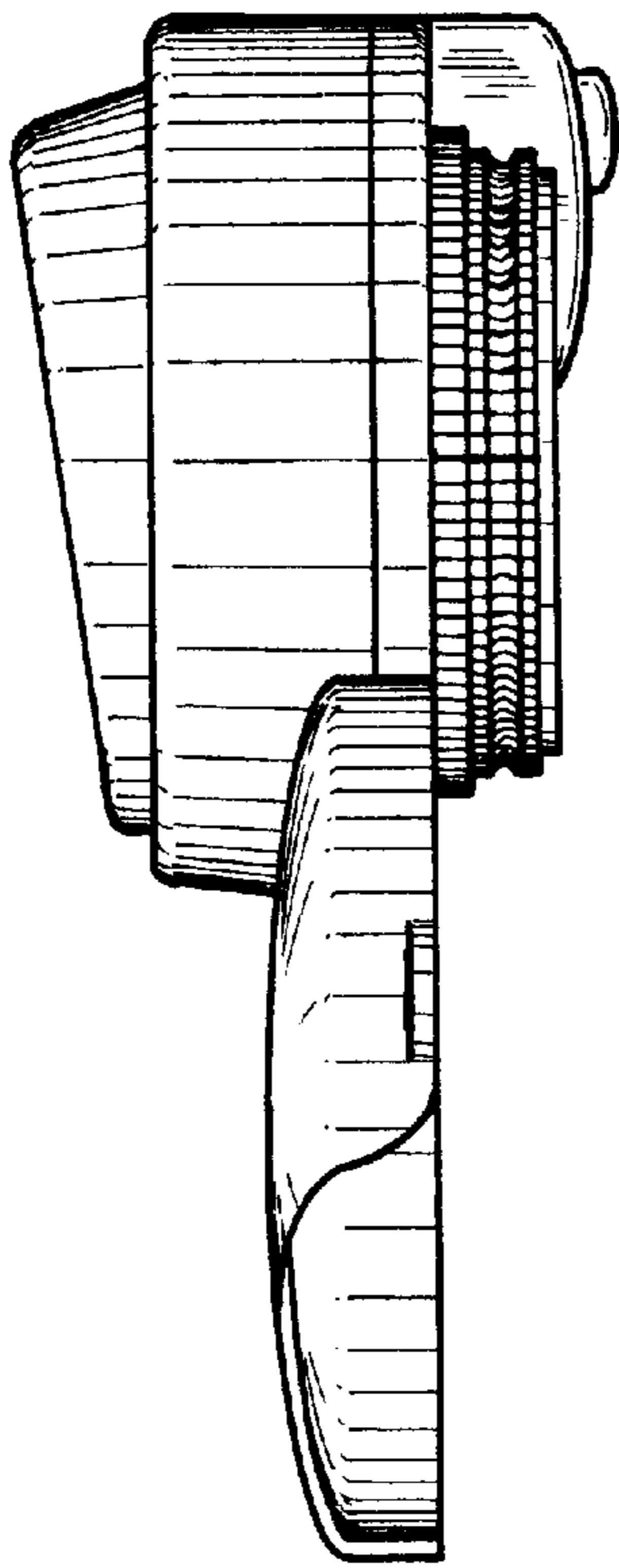


FIG. 10

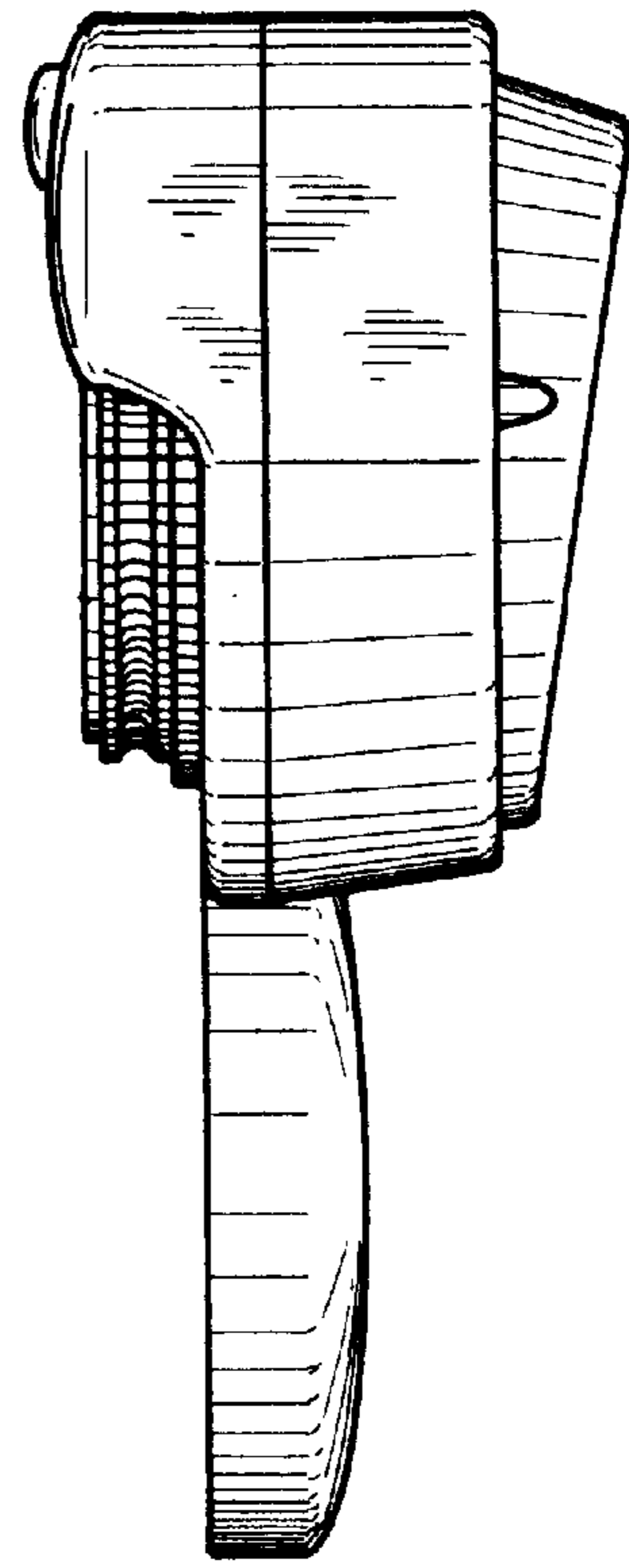


FIG. 11

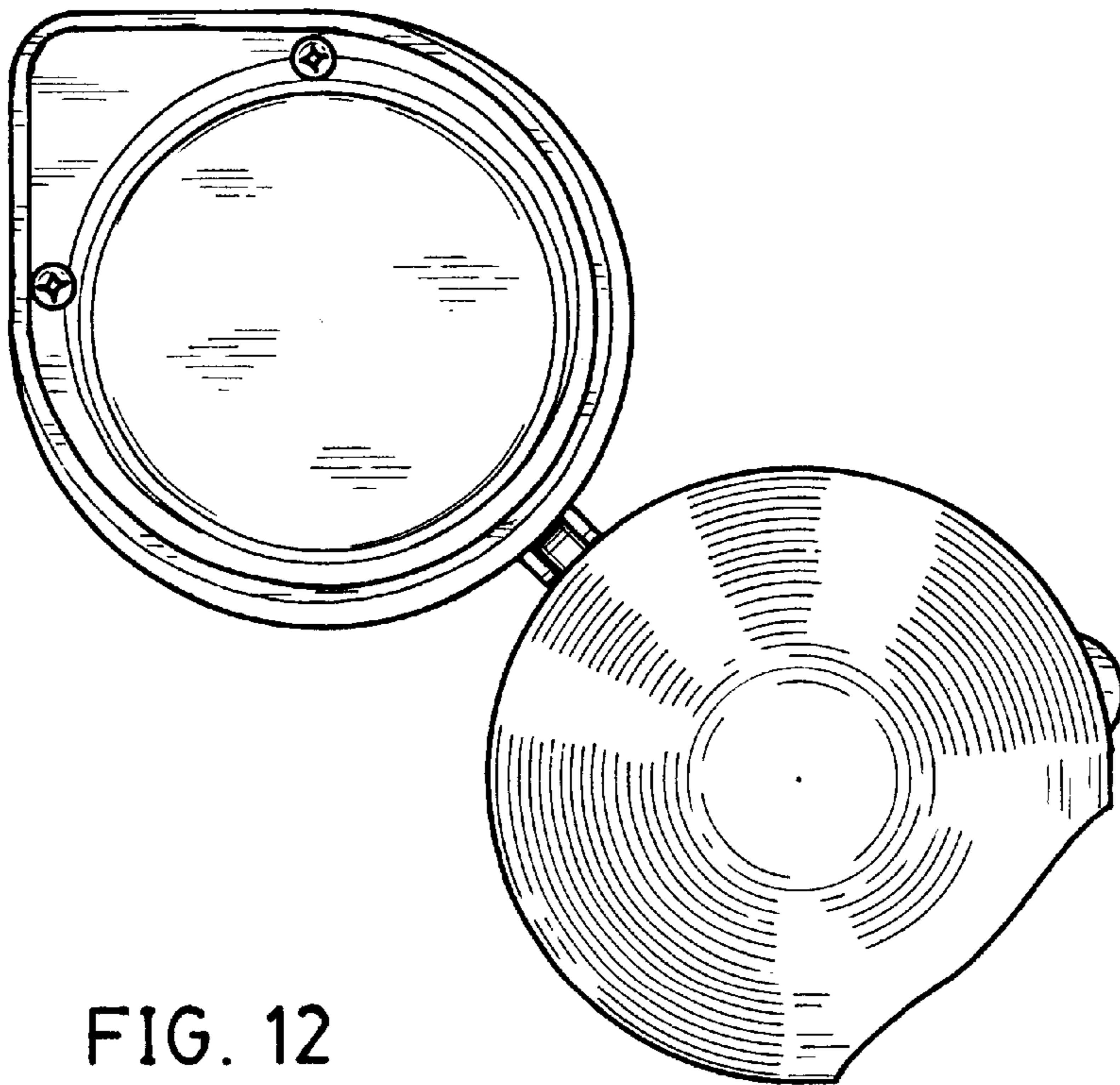


FIG. 12