



US00D458543S

(12) **United States Design Patent**  
**Burleson et al.**

(10) **Patent No.:** **US D458,543 S**  
(45) **Date of Patent:** **\*\* Jun. 11, 2002**

(54) **BOTTLE**

(75) Inventors: **Timothy Edward Burleson; Thomas Edward Burleson, Jr.; James Richard Phillips**, all of Waxahachie, TX (US)

(73) Assignee: **Burleson's, Inc.**, Waxahachie, TX (US)

(\*\*) Term: **14 Years**

(21) Appl. No.: **29/145,167**

(22) Filed: **Jul. 17, 2001**

D318,798 S	8/1991	Biesecker	
D319,011 S	8/1991	Biesecker	
D319,584 S	9/1991	Biesecker	
D328,420 S	* 8/1992	Miller	..... D9/502
5,141,120 A	8/1992	Brown et al.	
D346,329 S	4/1994	Biesecker, II	
D348,837 S	7/1994	Feen	
5,472,105 A	12/1995	Krishnakumar et al.	
D369,556 S	* 5/1996	Lauder et al.	..... D9/553
5,598,941 A	2/1997	Semersky et al.	
D379,306 S	5/1997	Peykoff	
D379,763 S	6/1997	Ewing, Jr.	
D381,274 S	* 7/1997	Luh et al.	..... D9/566
D382,807 S	8/1997	Silvers et al.	

**Related U.S. Application Data**

(List continued on next page.)

(62) Division of application No. 29/114,213, filed on Nov. 19, 1999.

(51) **LOC (7) Cl.** ..... **09-01**

(52) **U.S. Cl.** ..... **D9/553; D9/554; D9/557; D9/562**

(58) **Field of Search** ..... D9/500, 502, 503, D9/516, 549, 551-558, 562, 564, 565, 570, 574; 215/381-384, 396, 398

(56) **References Cited**

**U.S. PATENT DOCUMENTS**

D22,423 S	*	5/1893	Hofmann et al.	.....	D9/502
D60,556 S	*	3/1922	Marble	.....	D9/502
D95,989 S	*	9/1935	Sakier	.....	D9/545
D105,655 S		8/1937	Drach		
D112,800 S		1/1939	Watson		
D155,134 S	*	9/1949	Dykstra	.....	D9/568
D159,616 S	*	8/1950	Hoffman	.....	D9/557
D178,529 S	*	8/1956	Lorenzen	.....	D9/555
D198,404 S		6/1964	Busch		
D198,407 S		6/1964	Busch		
D217,439 S		5/1970	Platte		
D231,904 S		6/1974	Boden		
D258,346 S		2/1981	Winchell et al.		
D258,720 S		3/1981	Evans et al.		
D269,500 S		6/1983	Bit		
D297,308 S		8/1988	Lyons		
4,993,565 A		2/1991	Ota et al.		
D318,011 S		7/1991	Biesecker		

**OTHER PUBLICATIONS**

“BeeMaid Natural Honey”, Uniloy Bottle #70186, 2 pages.  
 “Burleson’s Family of Honey”, T. W. Burleson & Son, Inc., Waxahachie, Texas, 2 pages.  
 “Burleson’s—Your Source For Pocahontas Honey”, Old 5# HDPE, T. W. Burleson & Son, Inc., Waxahachie, Texas, 2 pages.  
 “Burleson’s Pure Honey”, Clover 80 oz., 1 page, (Aug. 3, 1995).  
 “How To Create A Label Fit For A Queen”, <http://www.burlesons-honey.com>, 1 page. Burleson’s 64 oz. mold 1995.

*Primary Examiner*—Ted Shooman  
*Assistant Examiner*—Carol Rademaker  
 (74) *Attorney, Agent, or Firm*—Merchant & Gould P.C.

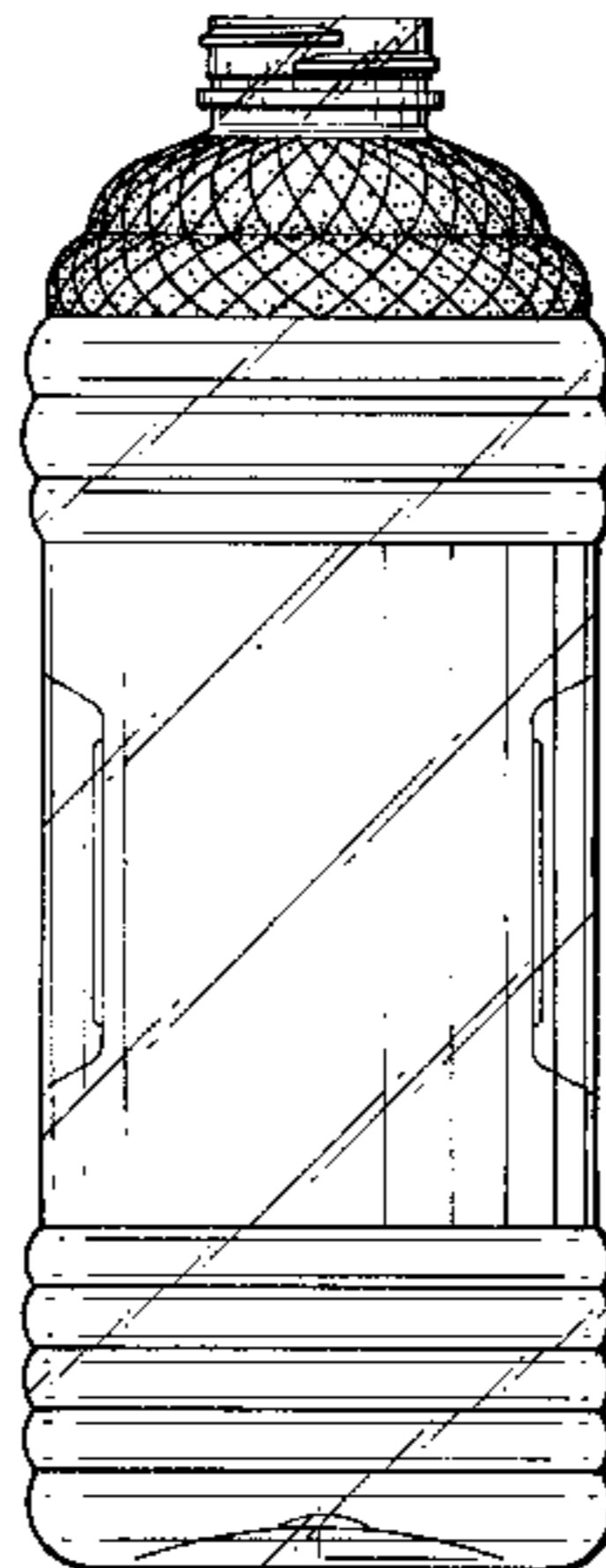
(57) **CLAIM**

The ornamental design for a bottle, as shown and described.

**DESCRIPTION**

FIG. 1 is a front elevational view of a bottle according to our new design;  
 FIG. 2 is a top view thereof;  
 FIG. 3 is a bottom view thereof;  
 FIG. 4 is a side elevational view thereof;  
 FIG. 5 is a rear elevational view thereof; and,  
 FIG. 6 is an opposite side elevational view thereof.

**1 Claim, 2 Drawing Sheets**



# US D458,543 S

Page 2

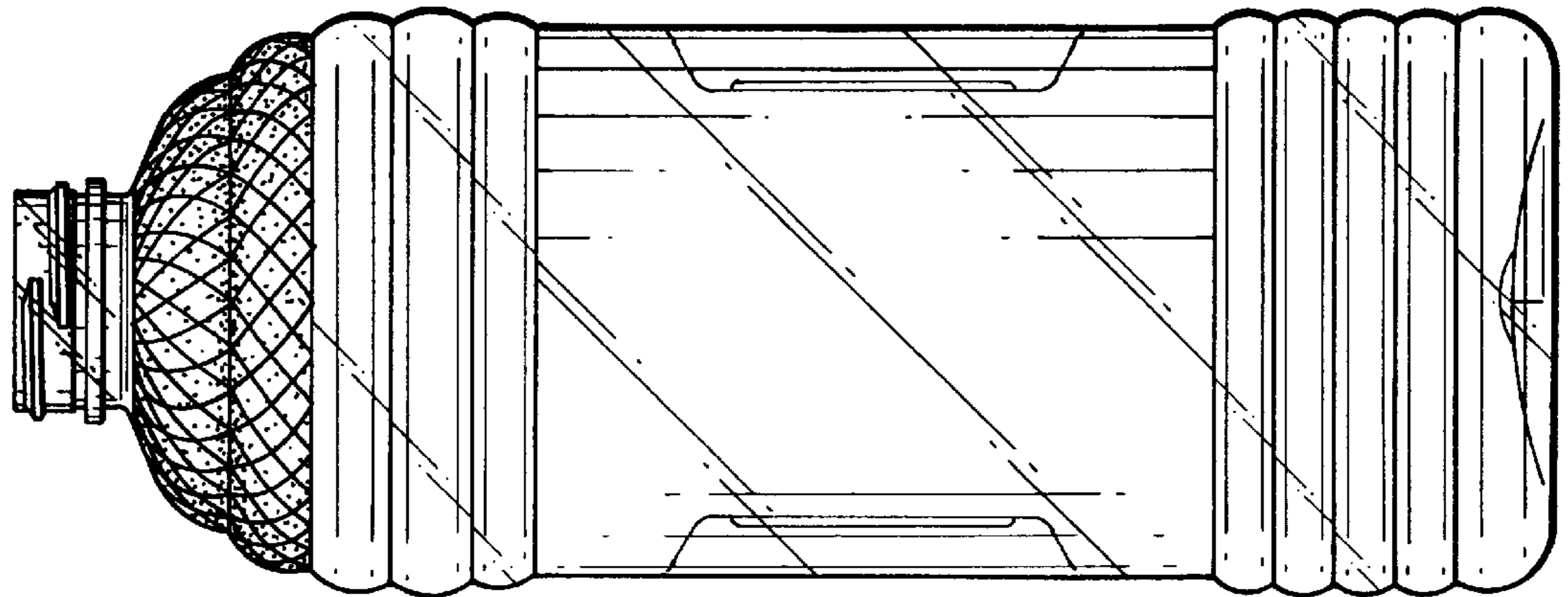
---

## U.S. PATENT DOCUMENTS

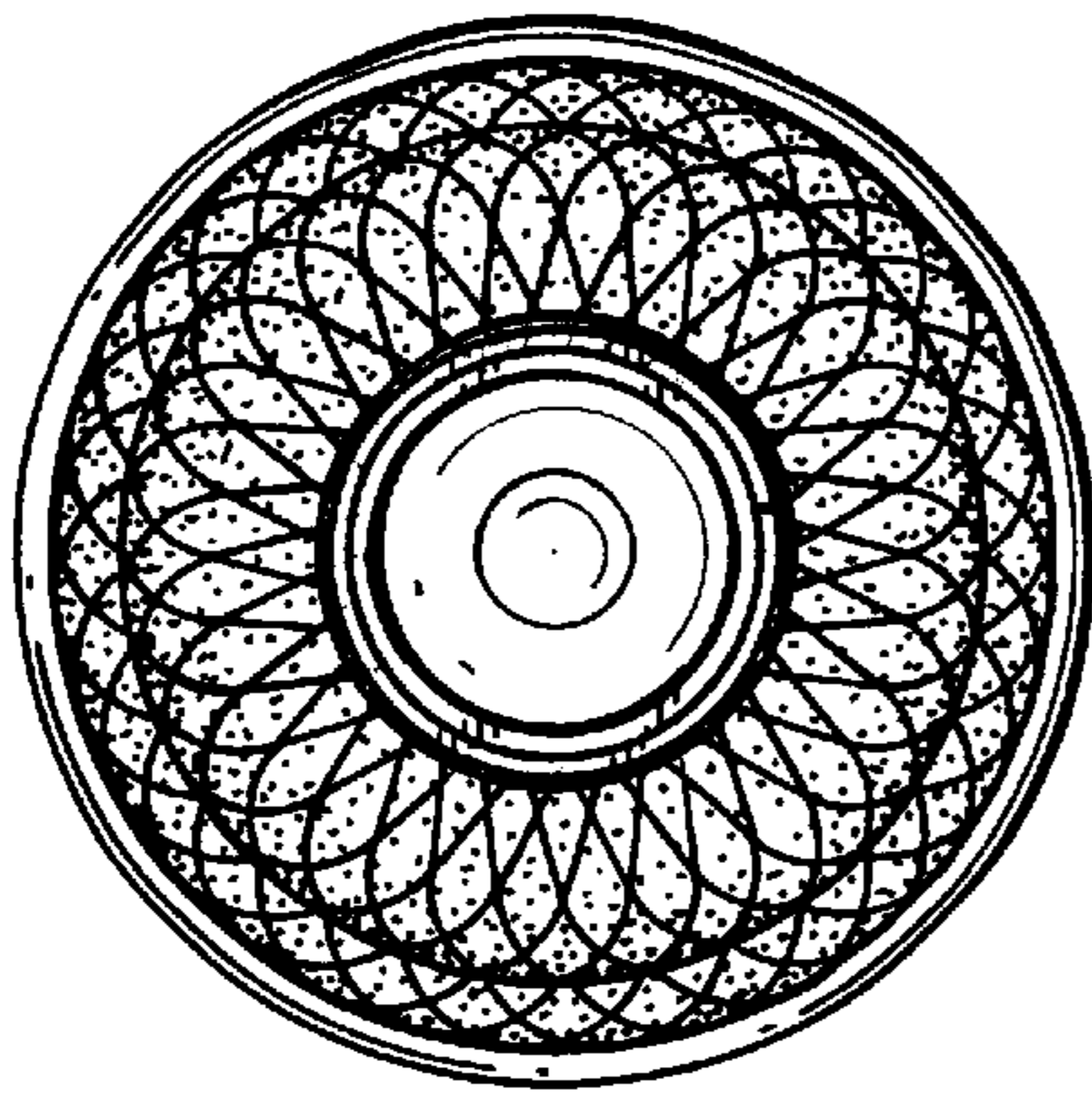
D383,067 S	9/1997	Gower et al.	D407,318 S	*	3/1999	Finlay et al. ....	D9/538
D387,672 S	12/1997	Biesecker	D411,457 S	*	6/1999	Ruda et al. ....	D9/538
D389,067 S	1/1998	Lown	D411,740 S	*	6/1999	Kim .....	D9/335
D390,114 S	2/1998	Young	D413,520 S	*	9/1999	Comper .....	D9/553
D395,826 S	7/1998	Hygaard, Sr.	D425,431 S	*	5/2000	Omidian .....	D9/553
D396,640 S	8/1998	Conrad et al.	D428,342 S	*	7/2000	Stoller .....	D9/542
D397,614 S	9/1998	Krishnakumar et al.	D432,919 S	*	10/2000	Spring .....	D9/538
D397,941 S	9/1998	Lauth	D433,948 S	*	11/2000	Stoller .....	D9/543
D402,896 S	12/1998	Conrad	D441,660 S	*	5/2001	Denner et al. ....	D9/571
D404,306 S	1/1999	Steinke					

\* cited by examiner

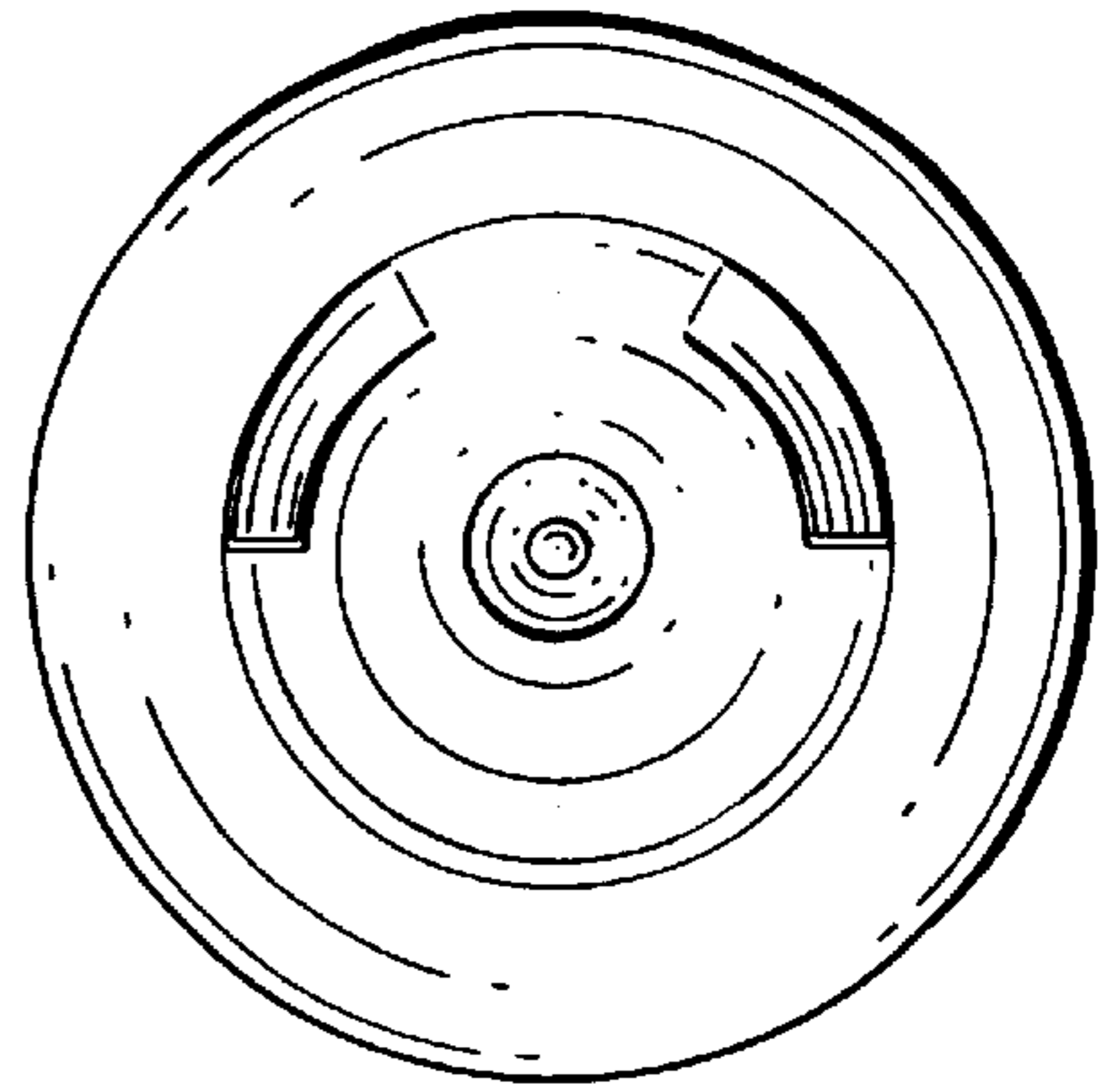
**FIG. 1**



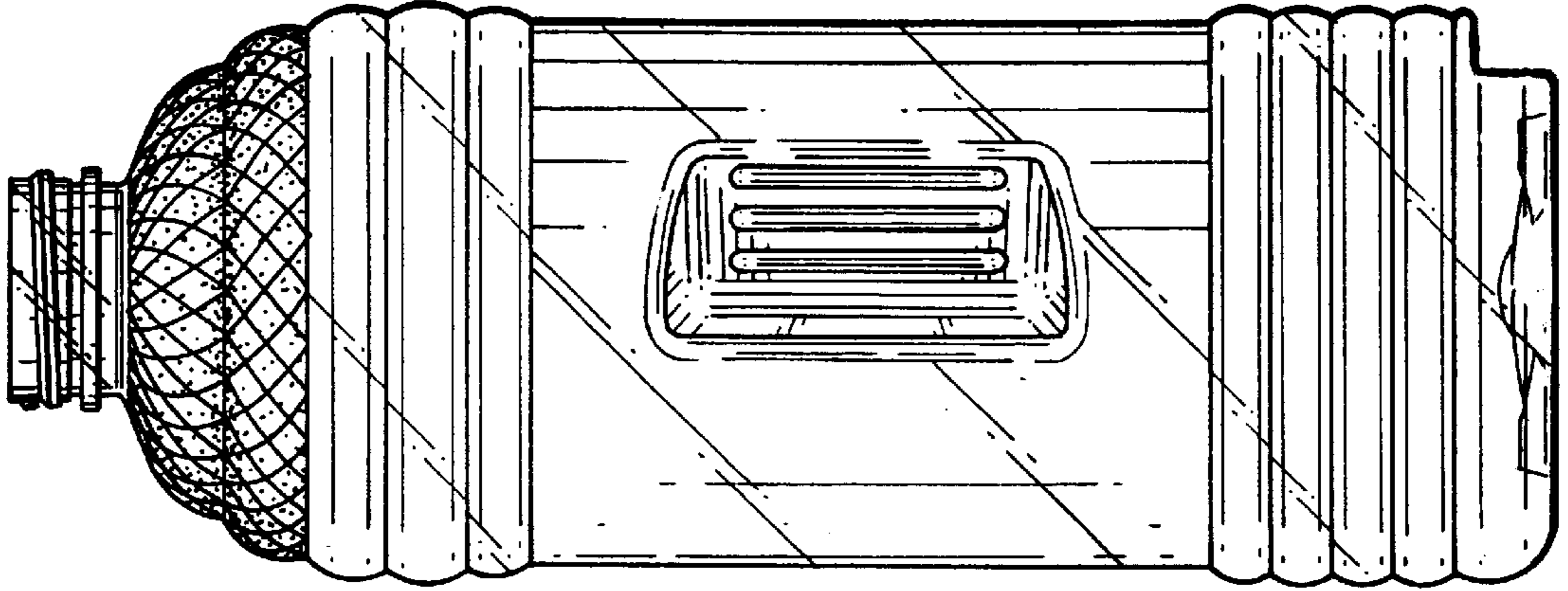
**FIG. 2**



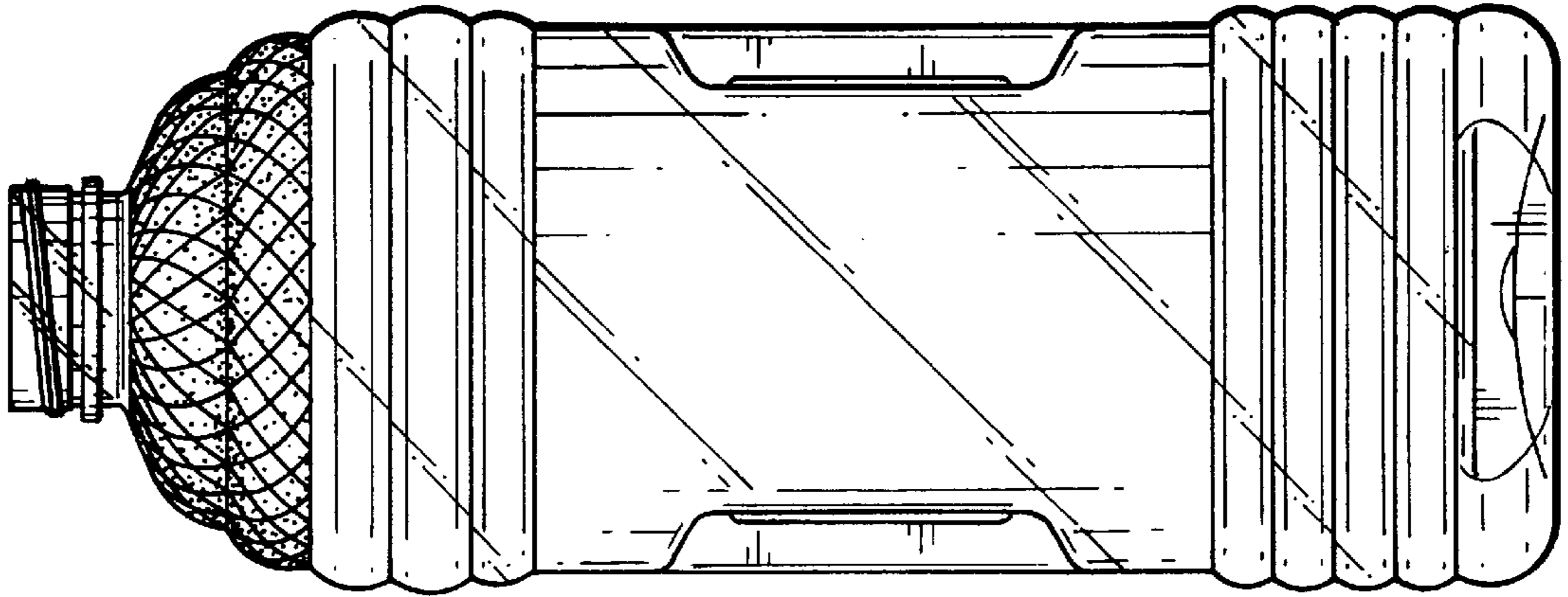
**FIG. 3**



**FIG. 6**



**FIG. 5**



**FIG. 4**

