



US00D458534S

(12) **United States Design Patent**  
**Morris et al.**

(10) **Patent No.:** **US D458,534 S**  
(45) **Date of Patent:** **\*\* Jun. 11, 2002**

(54) **WINDING APPARATUS FOR STORING  
COMPUTER TELEPHONE CORDS**

D430,851 S \* 9/2000 Hwang ..... D13/154  
6,328,243 B1 \* 12/2001 Yamamoto ..... 191/12.2 R

(75) Inventors: **Jeffrey M. Morris**, Buffalo Grove, IL  
(US); **Ming-Shih Kao**, Taipei (TW)

\* cited by examiner

*Primary Examiner*—Doris V. Coles

*Assistant Examiner*—Elizabeth A. Albert

(73) Assignee: **Telephone Products, Inc.**, Wheeling, IL  
(US)

(74) *Attorney, Agent, or Firm*—Welsh & Katz, Ltd.;  
Thomas W. Tolpin

(\*\*) Term: **14 Years**

(57) **CLAIM**

(21) Appl. No.: **29/129,117**

The ornamental design for a winding apparatus for storing  
computer telephone cords, substantially as shown and  
described.

(22) Filed: **Sep. 8, 2000**

(51) **LOC (7) Cl.** ..... **08-05**

**DESCRIPTION**

(52) **U.S. Cl.** ..... **D8/358**

(58) **Field of Search** ..... D8/358, 359; D13/153;  
191/12.2 R, 12.4; 242/371, 379, 388.1,  
395, 396.1, 398, 399, 402, 404, 405.3;  
439/501

FIG. 1 is a perspective view of a winding apparatus for  
storing computer telephone cords showing our new design;  
FIG. 2 is a left side view thereof; the right side view thereof  
being a mirror image and symmetrical to the left side view  
thereof;

FIG. 3 is a top plan view thereof;

FIG. 4 is a inverted front view thereof; the back view thereof  
being a mirror image and symmetrical to the front view  
thereof; and,

FIG. 5 is a bottom view thereof.

(56) **References Cited**

**U.S. PATENT DOCUMENTS**

D415,998 S \* 11/1999 Brown et al. .... D8/358  
D419,527 S \* 1/2000 Hwang ..... D13/153  
D430,111 S \* 8/2000 Liao ..... D13/153

**1 Claim, 2 Drawing Sheets**

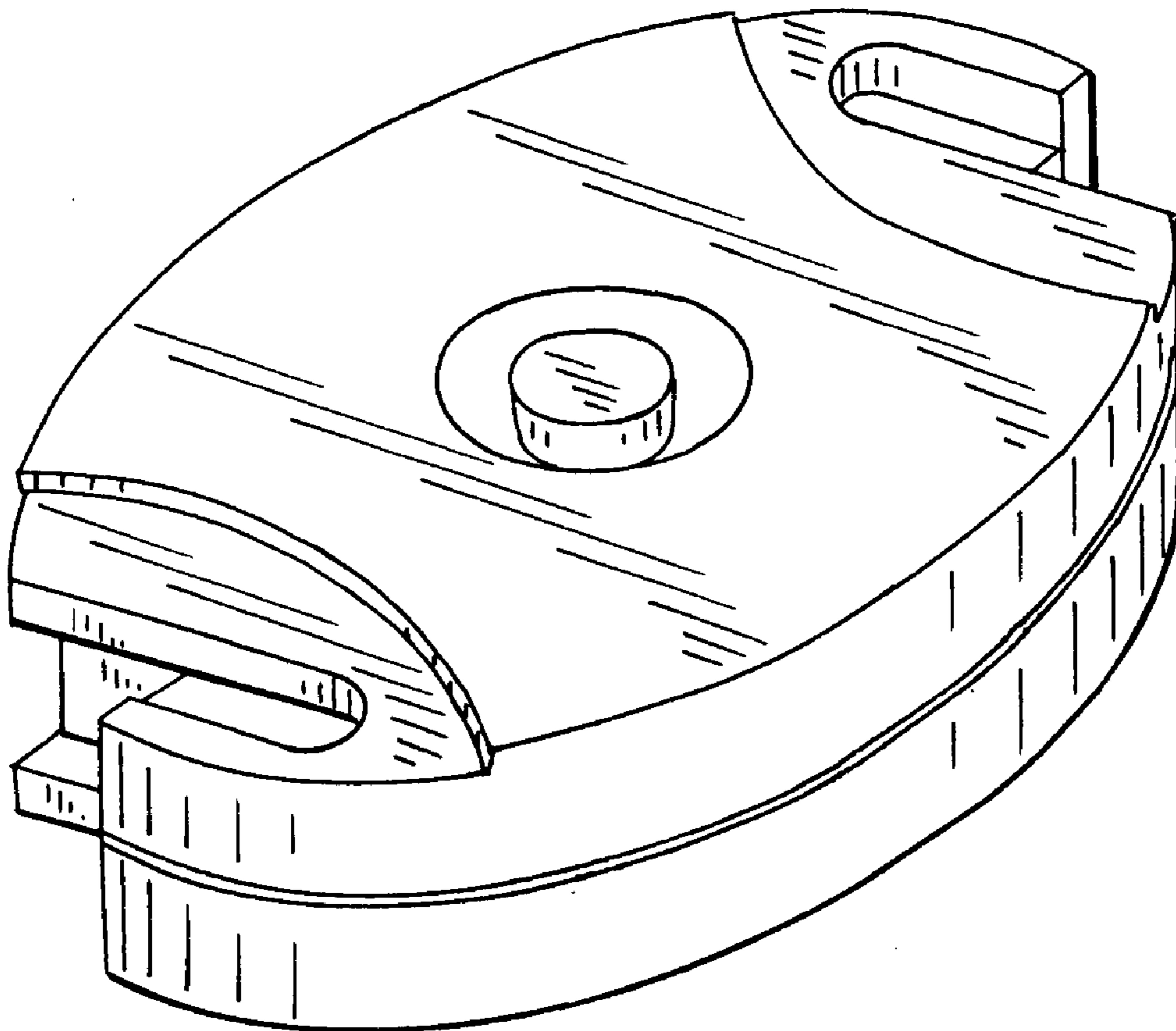


FIG. 1

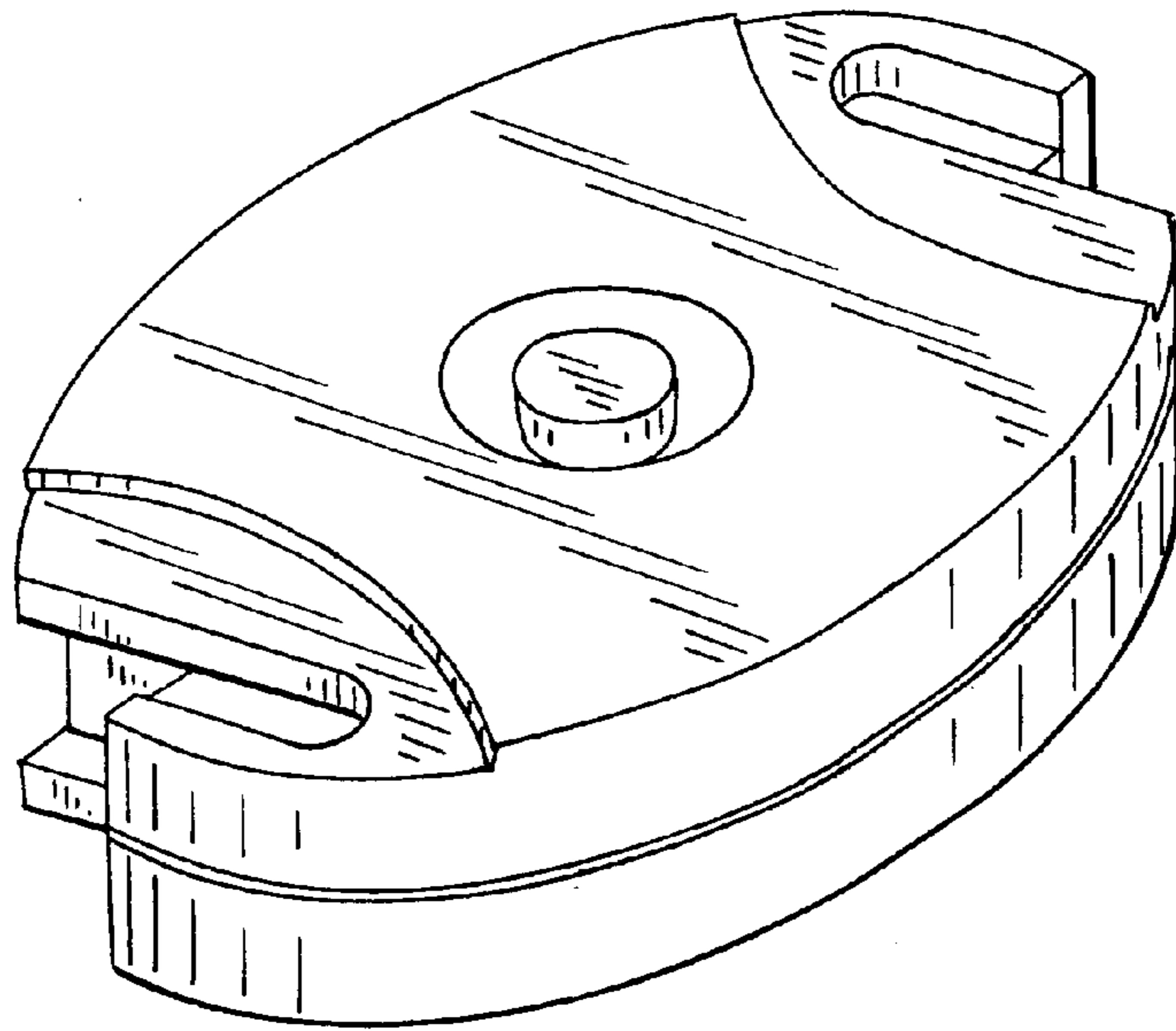


FIG. 2

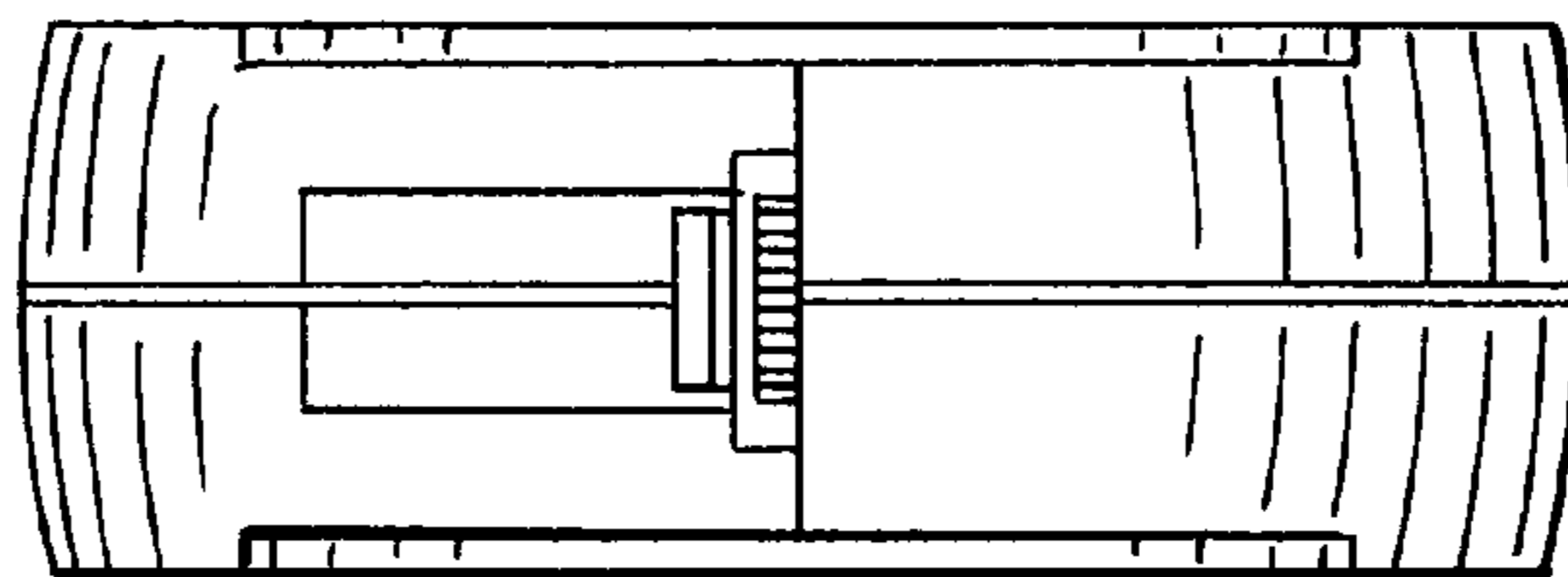


FIG. 3

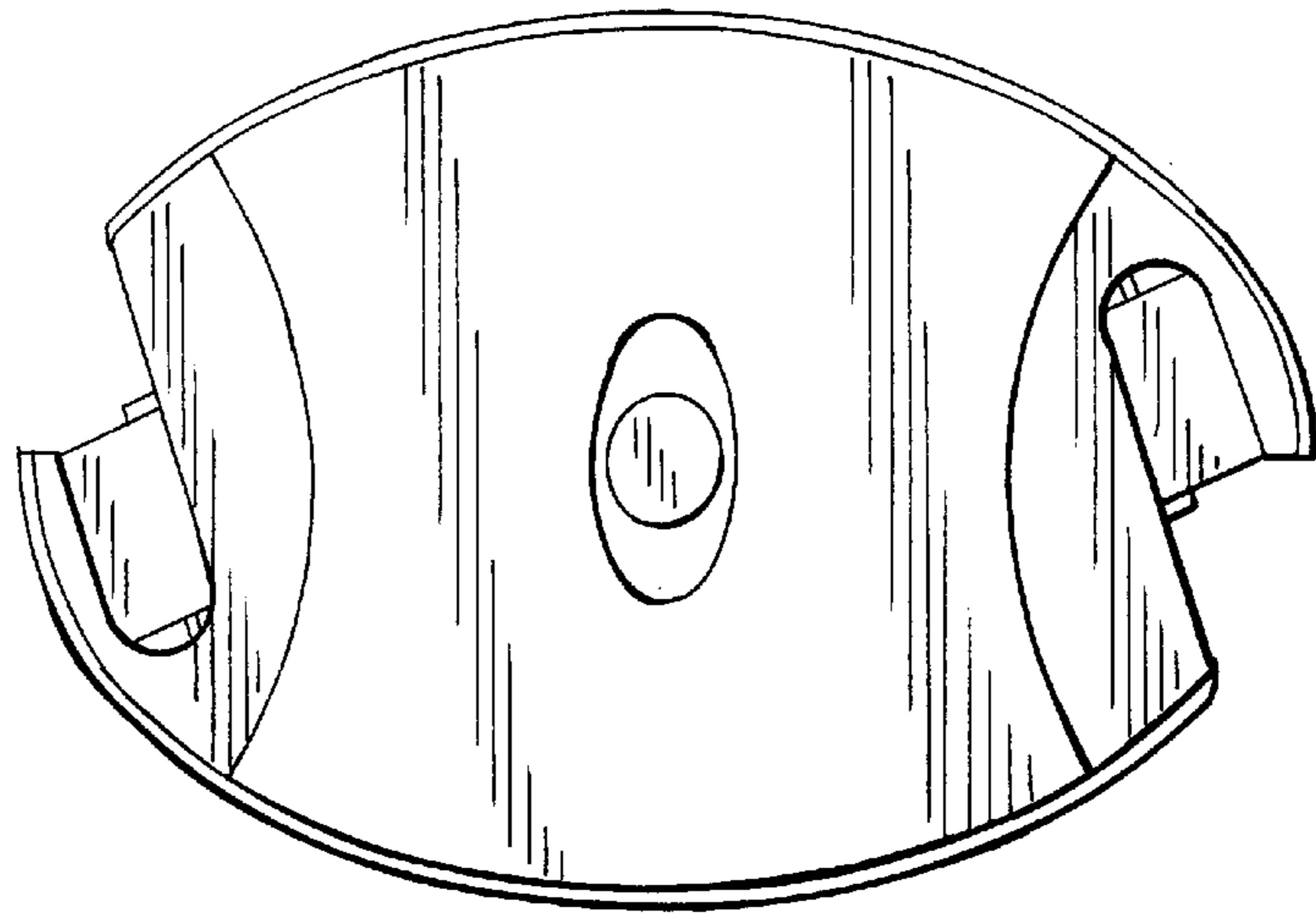


FIG. 4

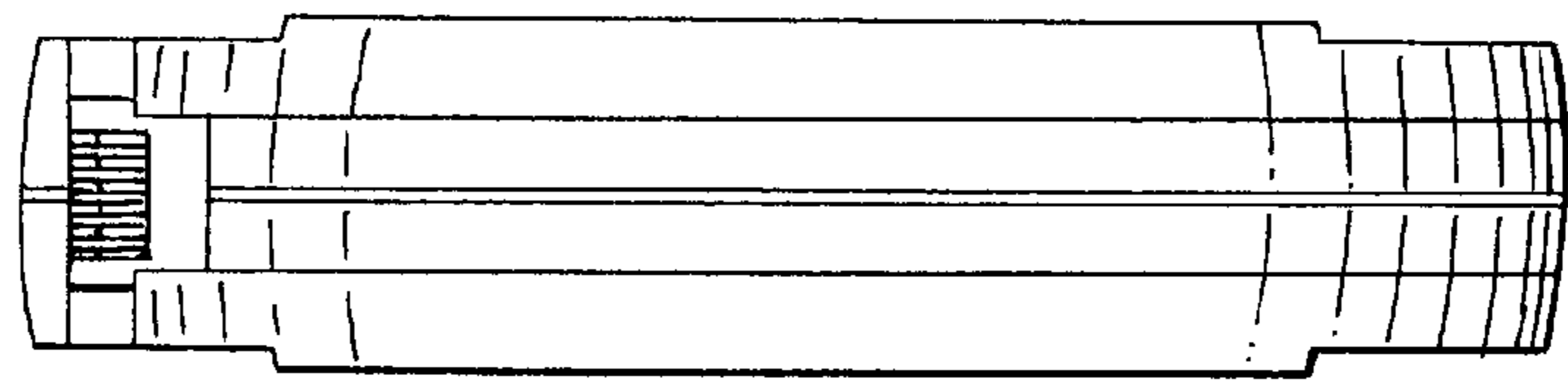


FIG. 5

