



US00D458532S

(12) **United States Design Patent**  
**Ausilio**

(10) **Patent No.:** **US D458,532 S**

(45) **Date of Patent:** **\*\* Jun. 11, 2002**

(54) **POSITIONING BRACKET**

D443,810 S \* 6/2001 Ausilio ..... D8/354  
D445,327 S \* 7/2001 Emms ..... D8/382

(75) Inventor: **John S. Ausilio**, Clinton Township, MI (US)

\* cited by examiner

(73) Assignee: **Ultimate Standard Tooling International, LLC**, Clinton Township, MI (US)

*Primary Examiner*—Doris V. Coles

*Assistant Examiner*—Elizabeth A. Albert

(74) *Attorney, Agent, or Firm*—Duane Morris LLP

(\*\*) Term: **14 Years**

(57) **CLAIM**

The ornamental design for a positioning bracket, as shown and described.

(21) Appl. No.: **29/143,915**

(22) Filed: **Jun. 21, 2001**

**DESCRIPTION**

(51) **LOC (7) Cl.** ..... **08-05**

FIG. 1 is a front right perspective view of the positioning bracket according to the invention;

(52) **U.S. Cl.** ..... **D8/354**

FIG. 2 is a front right perspective view of the positioning bracket;

(58) **Field of Search** ..... D8/349, 354, 355, D8/356, 366, 373, 380, 382; 52/370, 712, 714, 715; 81/DIG. 1; 248/200, 201, 300, 72, 309.1, 911; 403/187, 188, 189, 230

FIG. 3 is a front view of the positioning bracket;

FIG. 4 is a back view of the positioning bracket;

FIG. 5 is a left view of the positioning bracket;

FIG. 6 is a right view of the positioning bracket;

FIG. 7 is a top view of the positioning bracket; and,

FIG. 8 is a bottom view of the positioning bracket.

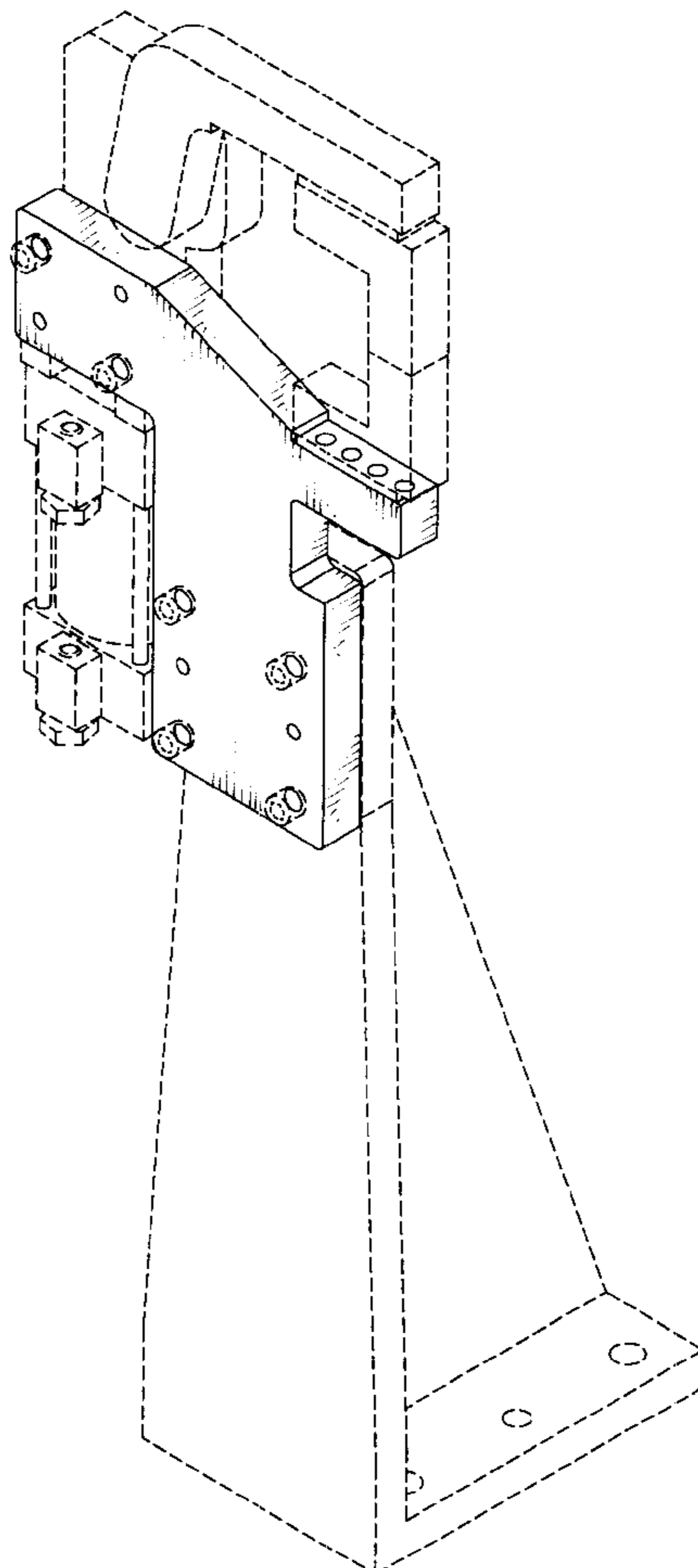
(56) **References Cited**

The broken line showing of structure is for illustrative purposes only and forms no part of the claimed design.

**U.S. PATENT DOCUMENTS**

6,059,482 A \* 5/2000 Beauvoir ..... 403/187  
D431,999 S \* 10/2000 Haltof ..... D8/354  
D439,137 S \* 3/2001 Ausilio ..... D8/354

**1 Claim, 4 Drawing Sheets**



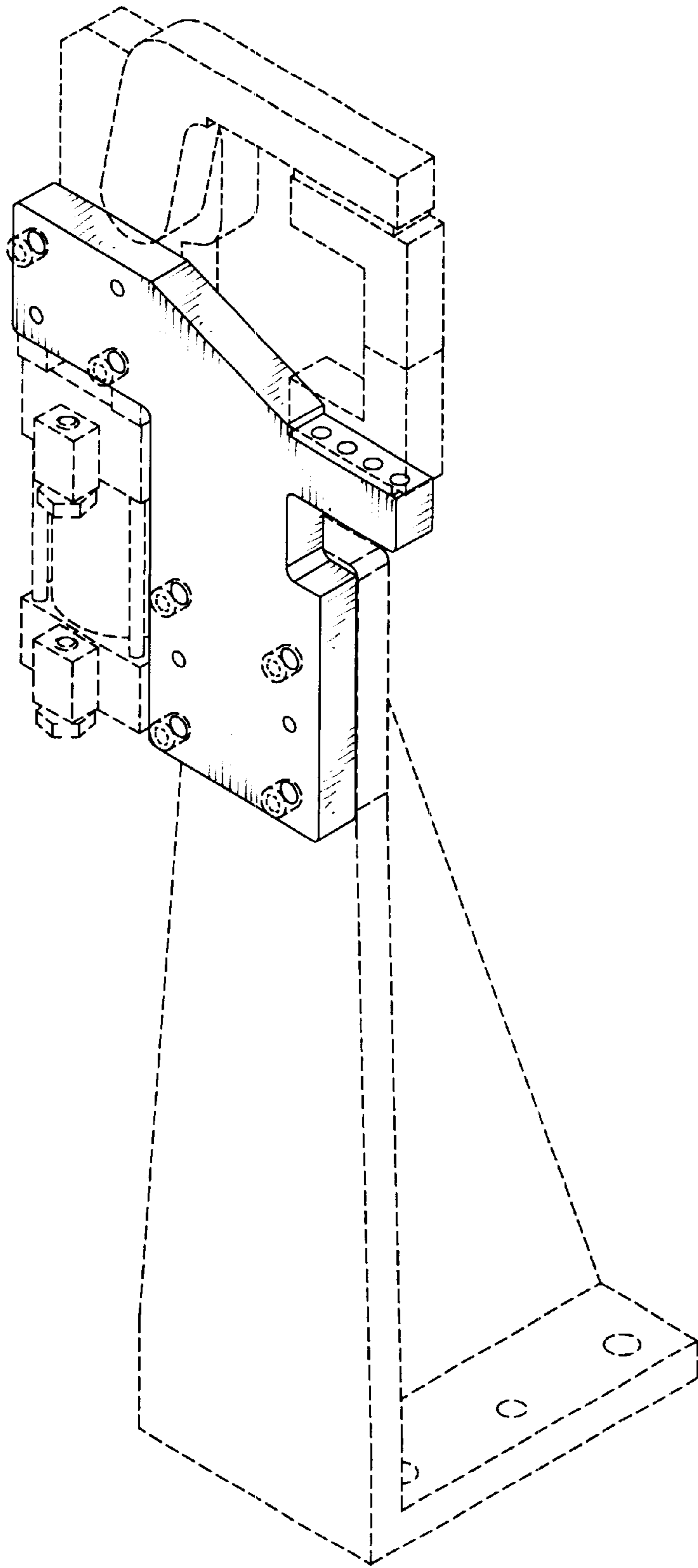


FIG. 1

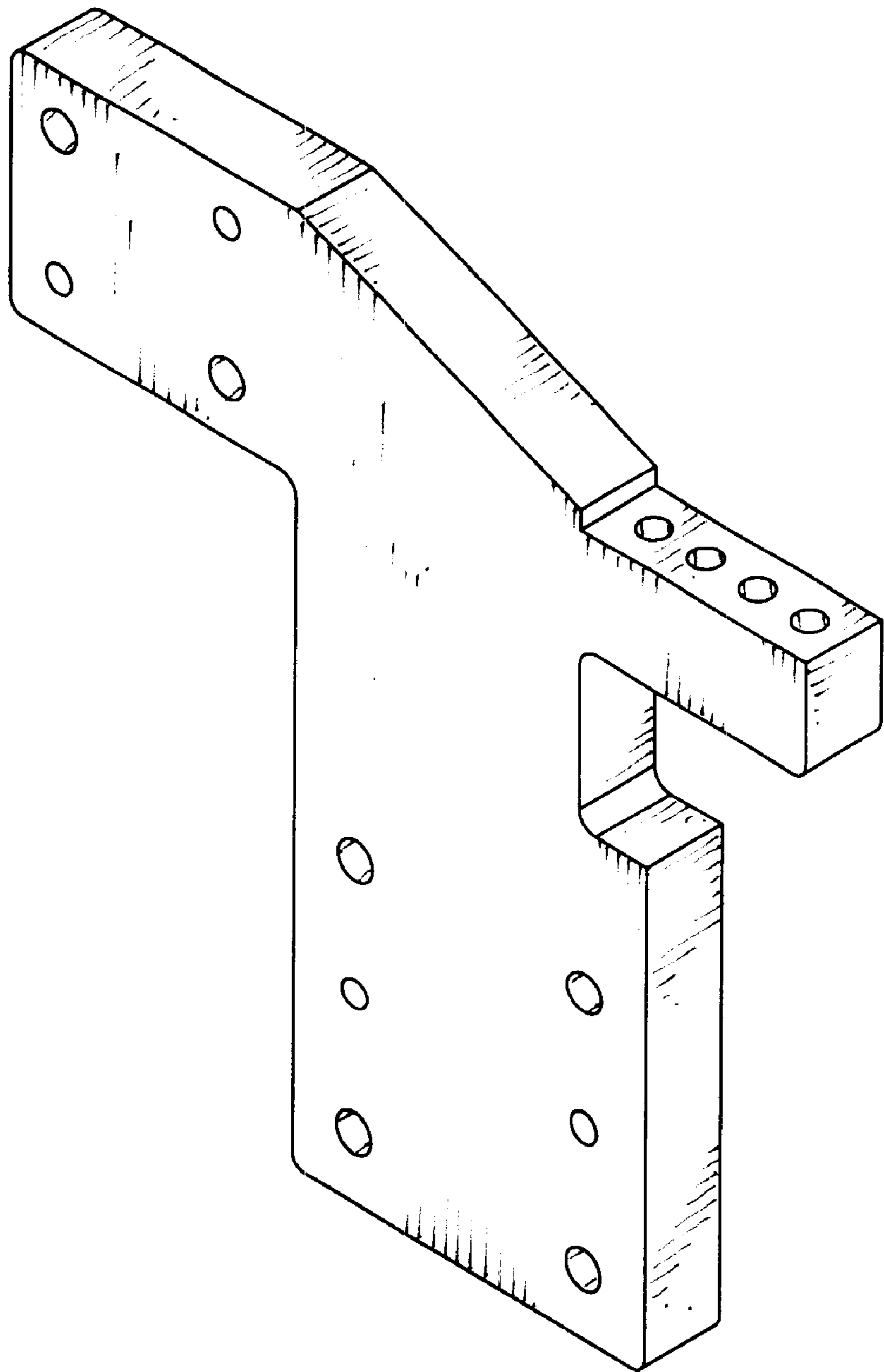
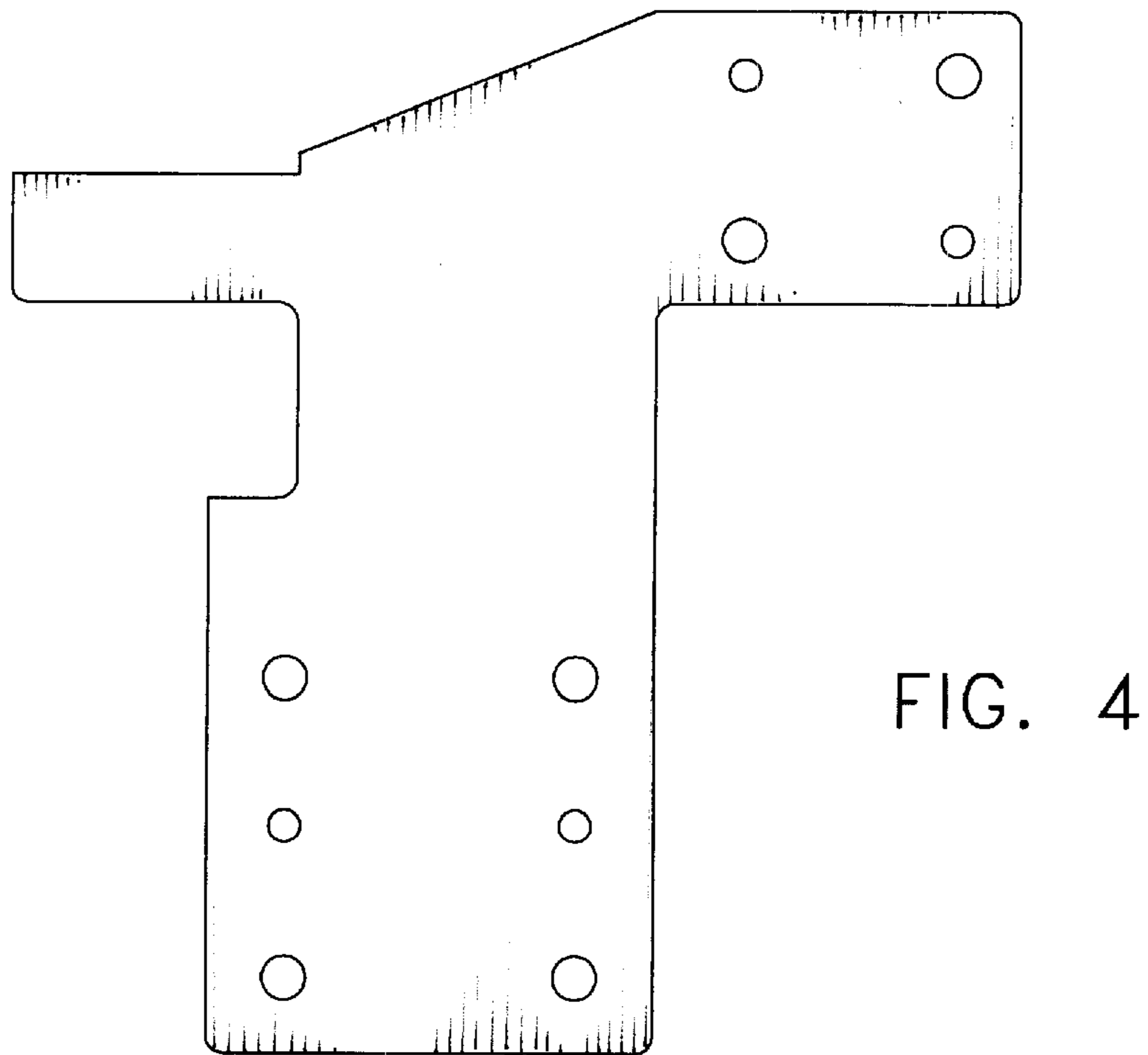
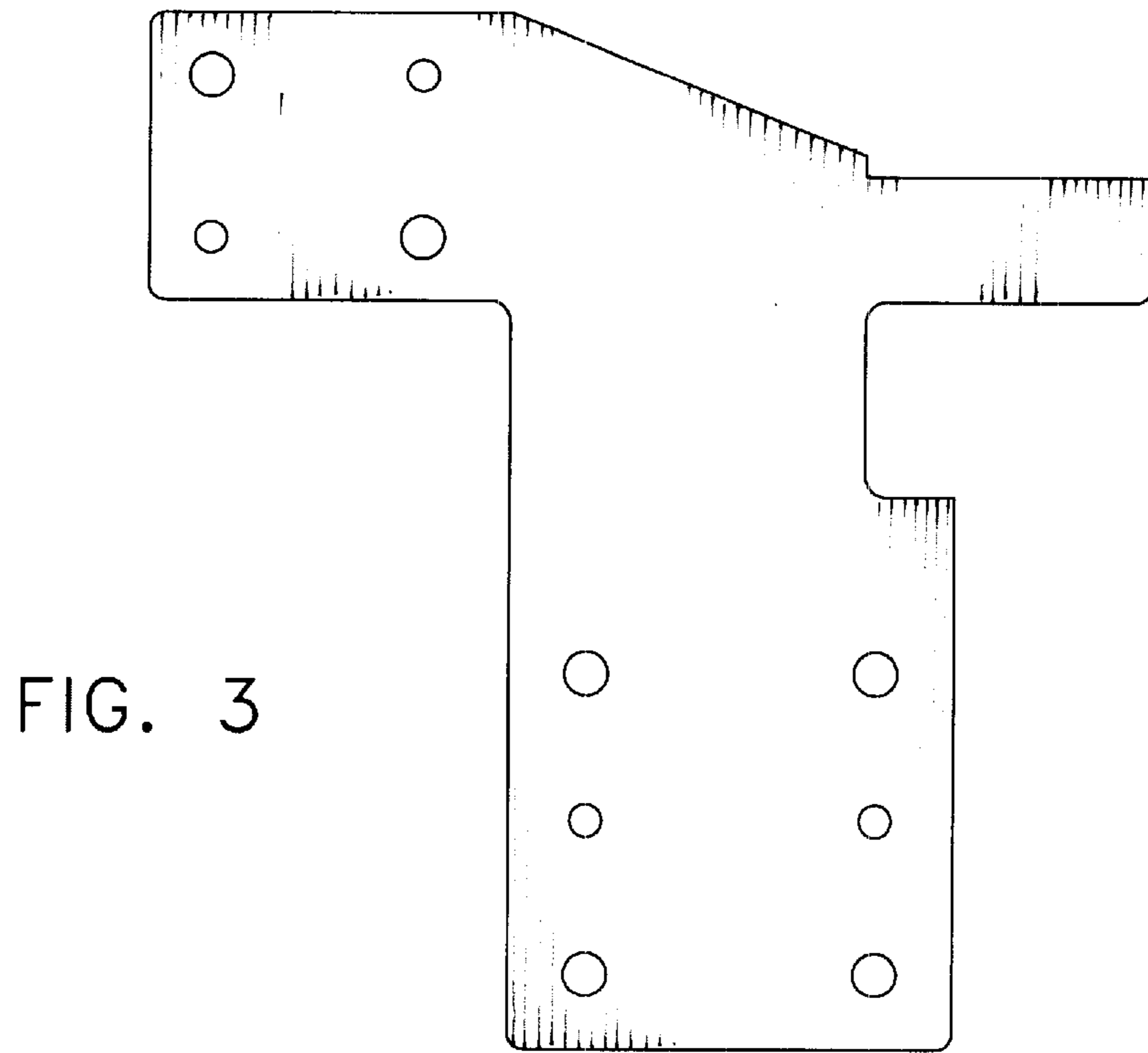


FIG. 2



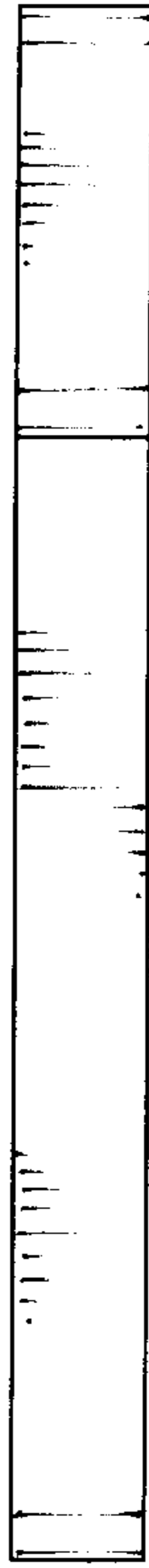


FIG. 5

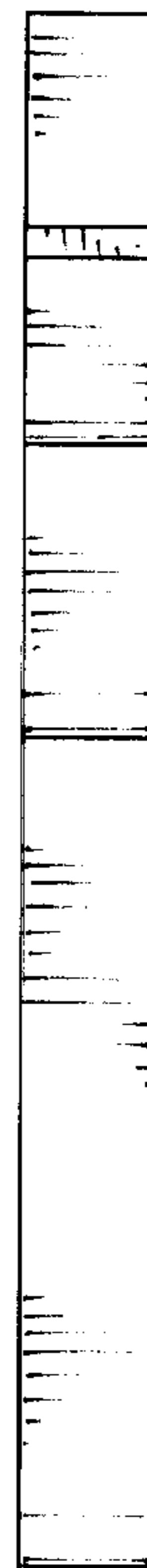


FIG. 6

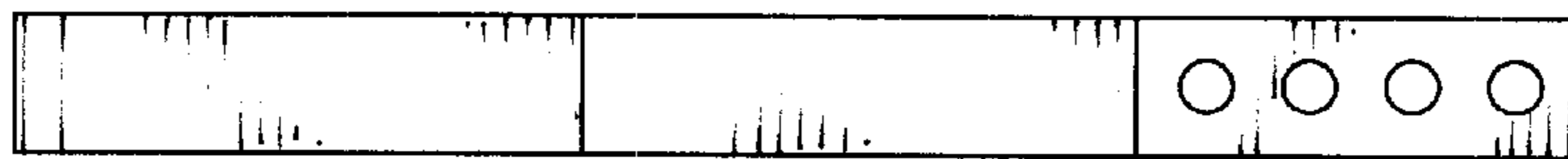


FIG. 7

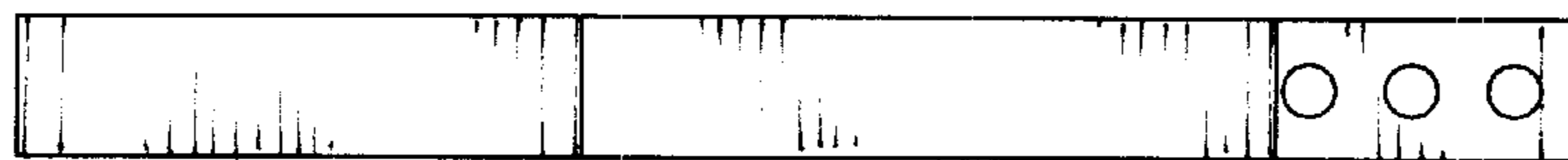


FIG. 8