



US00D458530S

(12) **United States Design Patent**
Grosz et al.

(10) **Patent No.:** **US D458,530 S**
(45) **Date of Patent:** **** Jun. 11, 2002**

- (54) **LOCK**
- (75) Inventors: **John W Grosz**, Waupun; **Mark A Gilbertson**, Sauk City, both of WI (US)
- (73) Assignee: **Master Lock Company**, Milwaukee, WI (US)
- (**) Term: **14 Years**
- (21) Appl. No.: **29/133,966**
- (22) Filed: **Dec. 13, 2000**

- 1,924,987 A 8/1933 Furino
- D144,682 S 5/1946 Bouhall
- 2,957,355 A 10/1960 Perry
- 3,256,723 A 6/1966 Lehman
- 3,808,848 A 5/1974 Yang
- D423,906 S 5/2000 Fiegenger et al.
- D437,768 S 2/2001 Grosz et al.

Primary Examiner—Jennifer Rivard
(74) *Attorney, Agent, or Firm*—Calfee, Halter & Griswold, LLP

Related U.S. Application Data

- (62) Division of application No. 29/109,223, filed on Aug. 13, 1999, now Pat. No. Des. 437,768.
- (51) **LOC (7) Cl.** **08-07**
- (52) **U.S. Cl.** **D8/334**
- (58) **Field of Search** D8/330, 334, 331, D8/333; 70/14, 20, 21, 22, 24–29, 49, 30, 50, 52

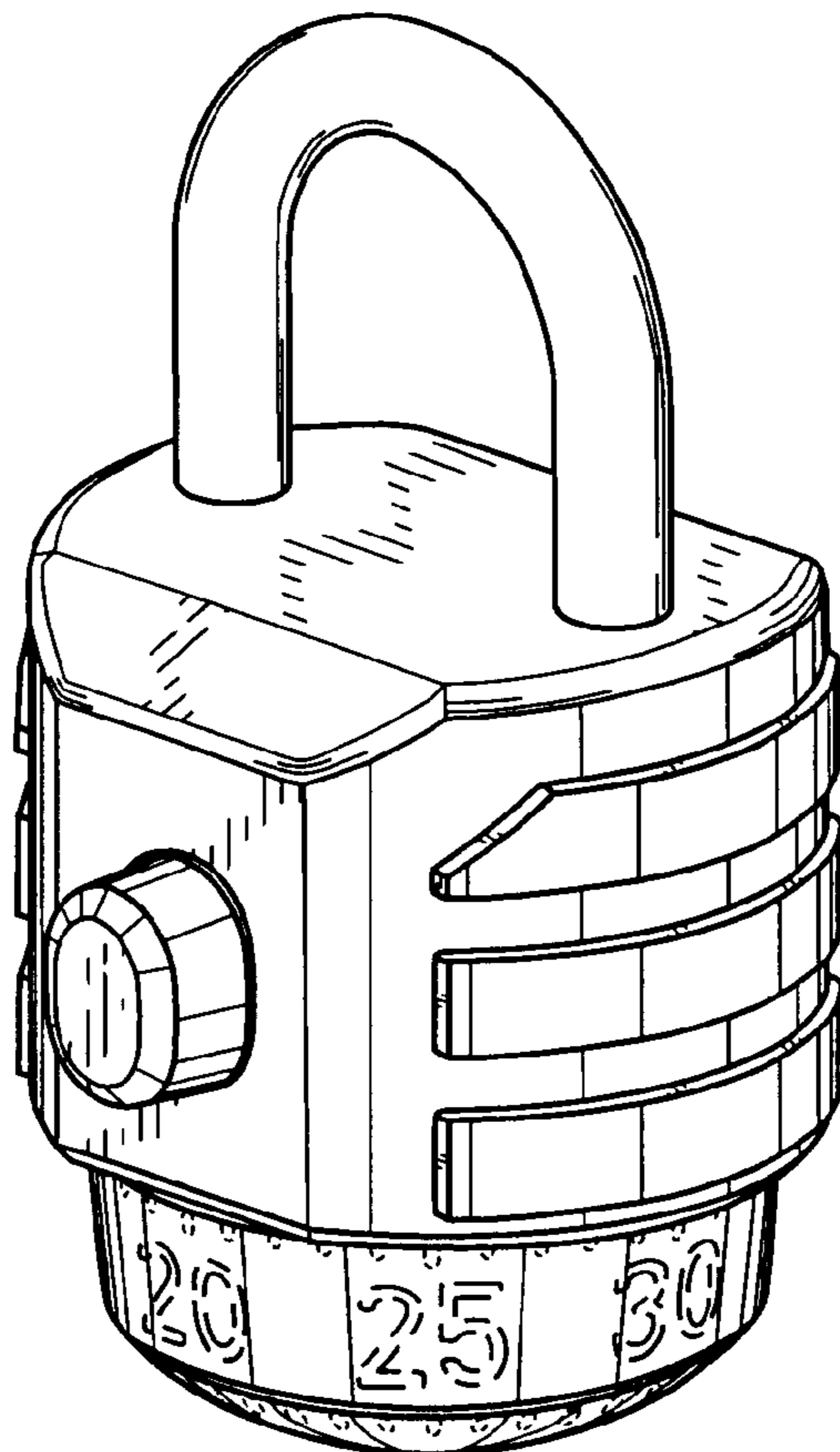
(57) **CLAIM**
The ornamental design for a lock, as shown and described.

DESCRIPTION

FIG. 1 is a front perspective view of the lock showing our new design;
FIG. 2 is a front view thereof;
FIG. 3 is a back view thereof;
FIG. 4 is a left end view thereof;
FIG. 5 is a right end view thereof;
FIG. 6 is a top view thereof; and,
FIG. 7 is a bottom view thereof.
The portions showing phantom lines are not part of the claimed invention, but are included to show environment.

- (56) **References Cited**
U.S. PATENT DOCUMENTS
613,065 A 10/1898 House
1,777,424 A 10/1930 Atkins

1 Claim, 2 Drawing Sheets



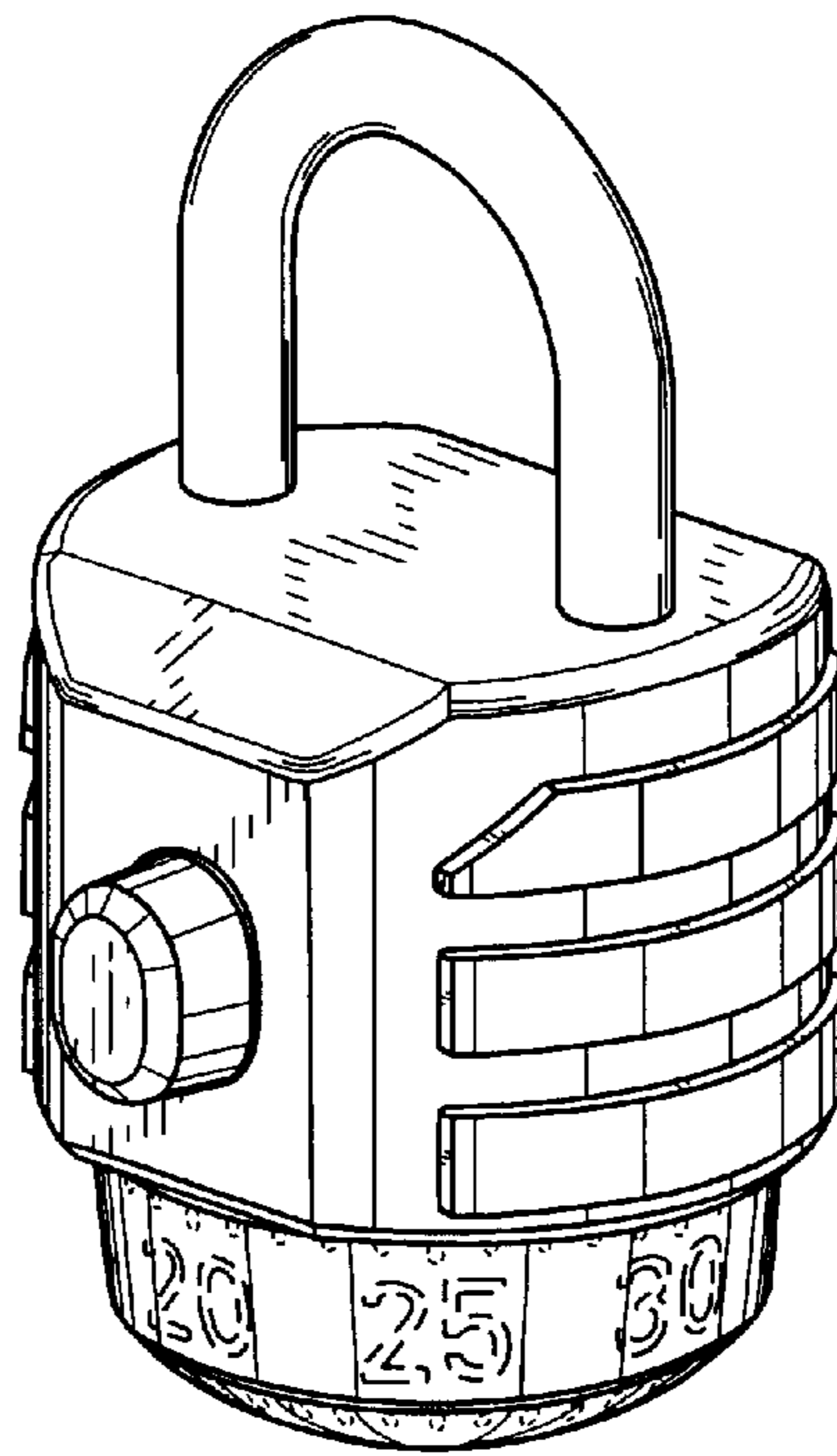


FIG. 1

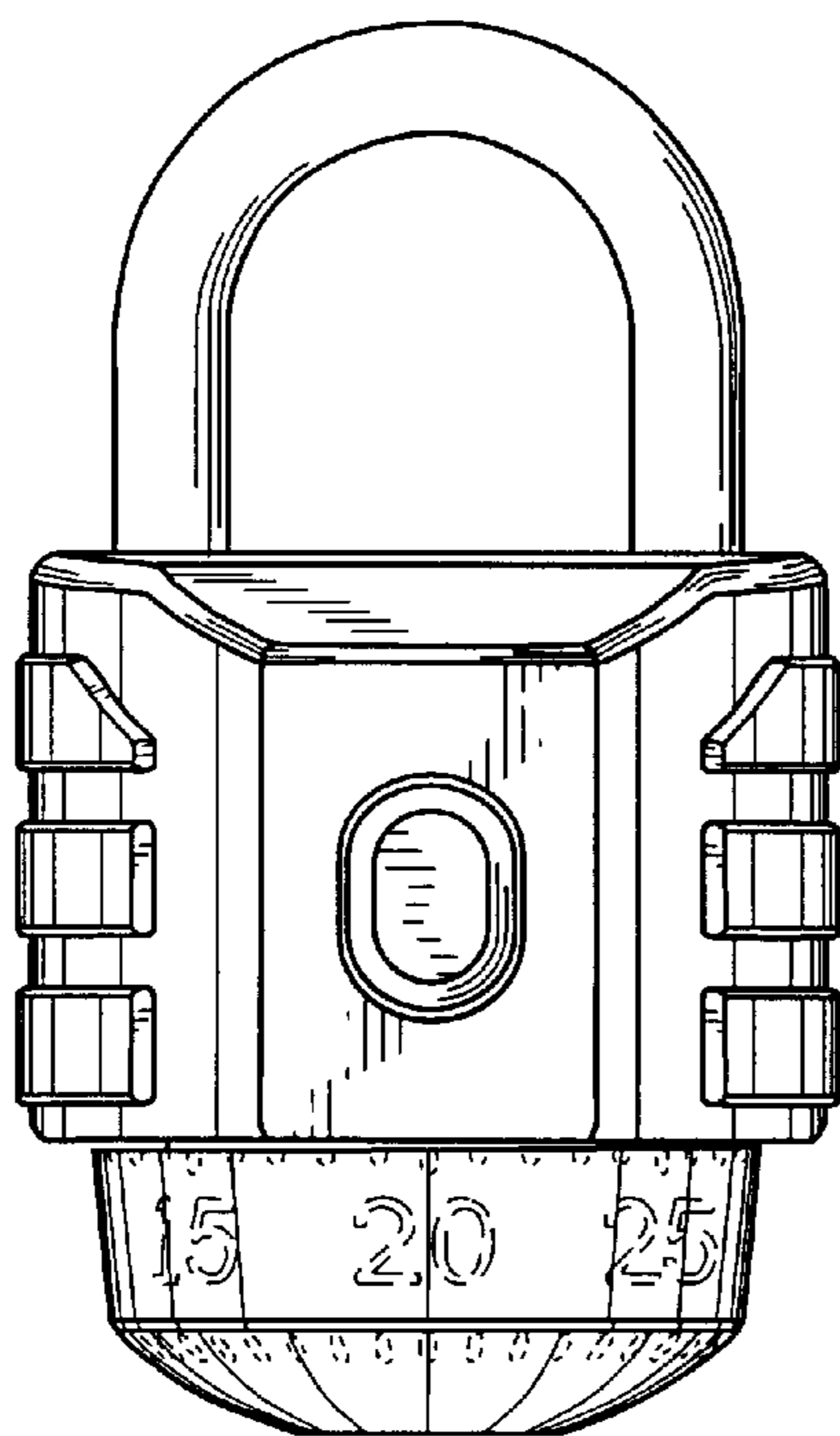


FIG. 2

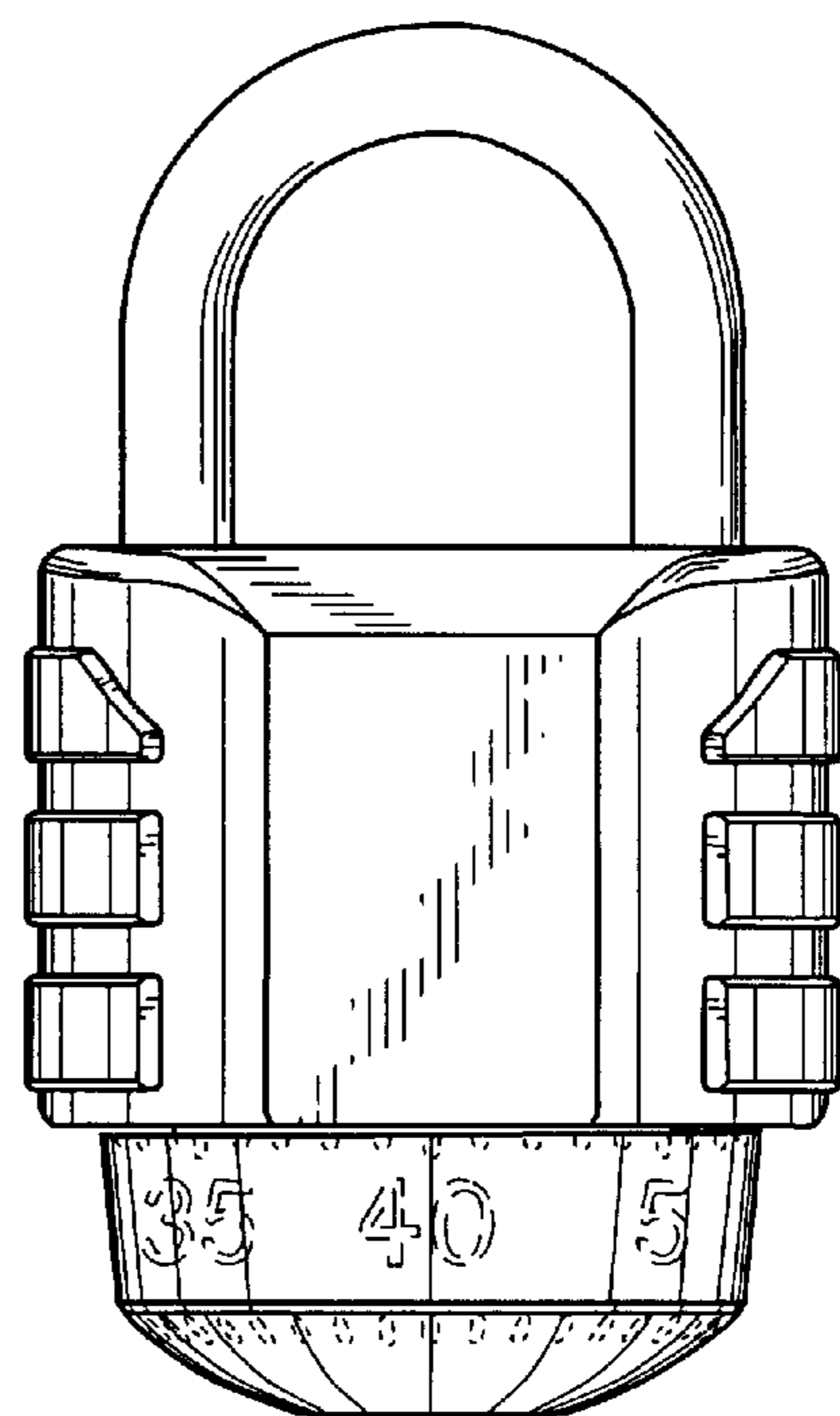


FIG. 3

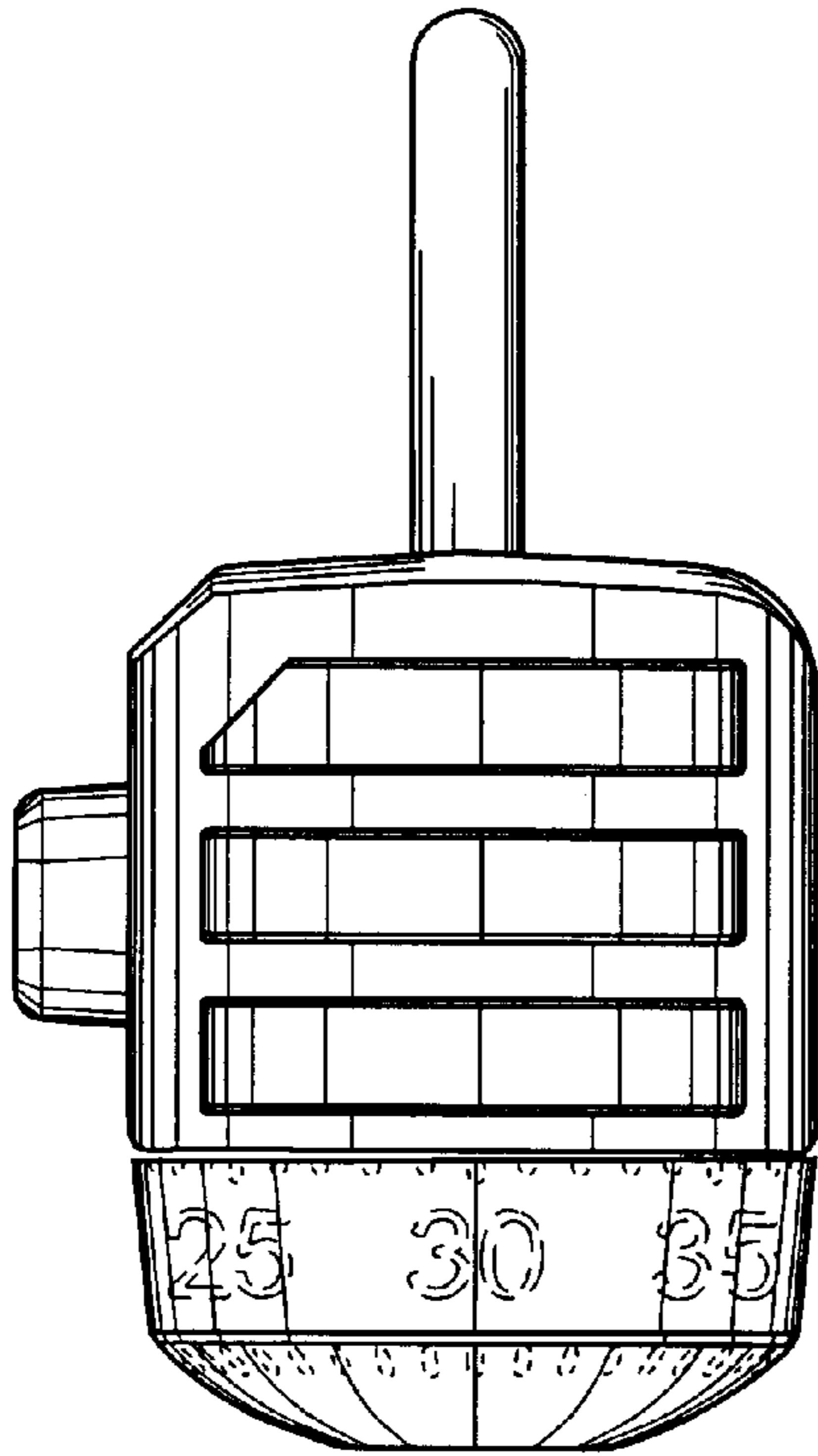


FIG. 4

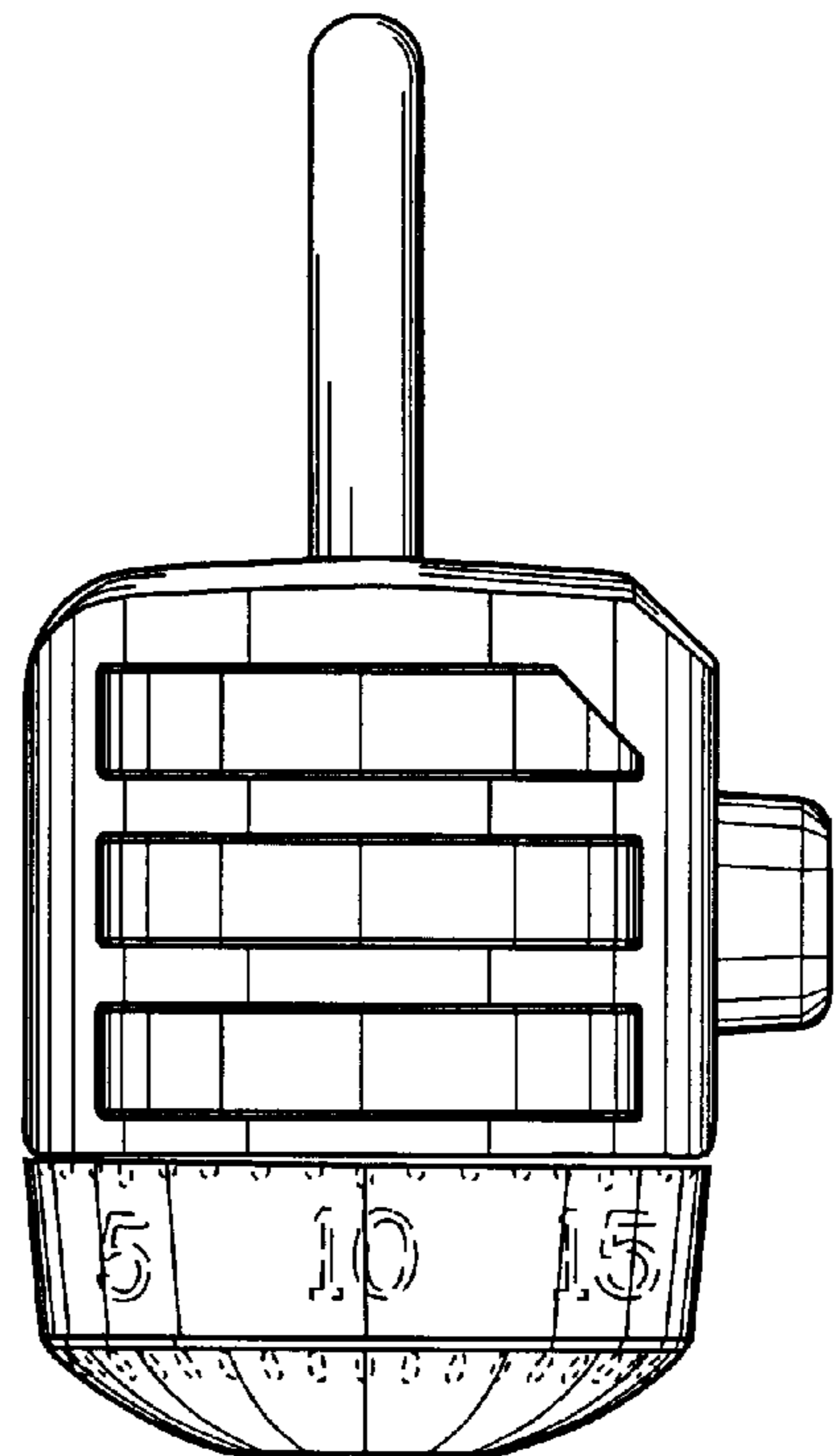


FIG. 5

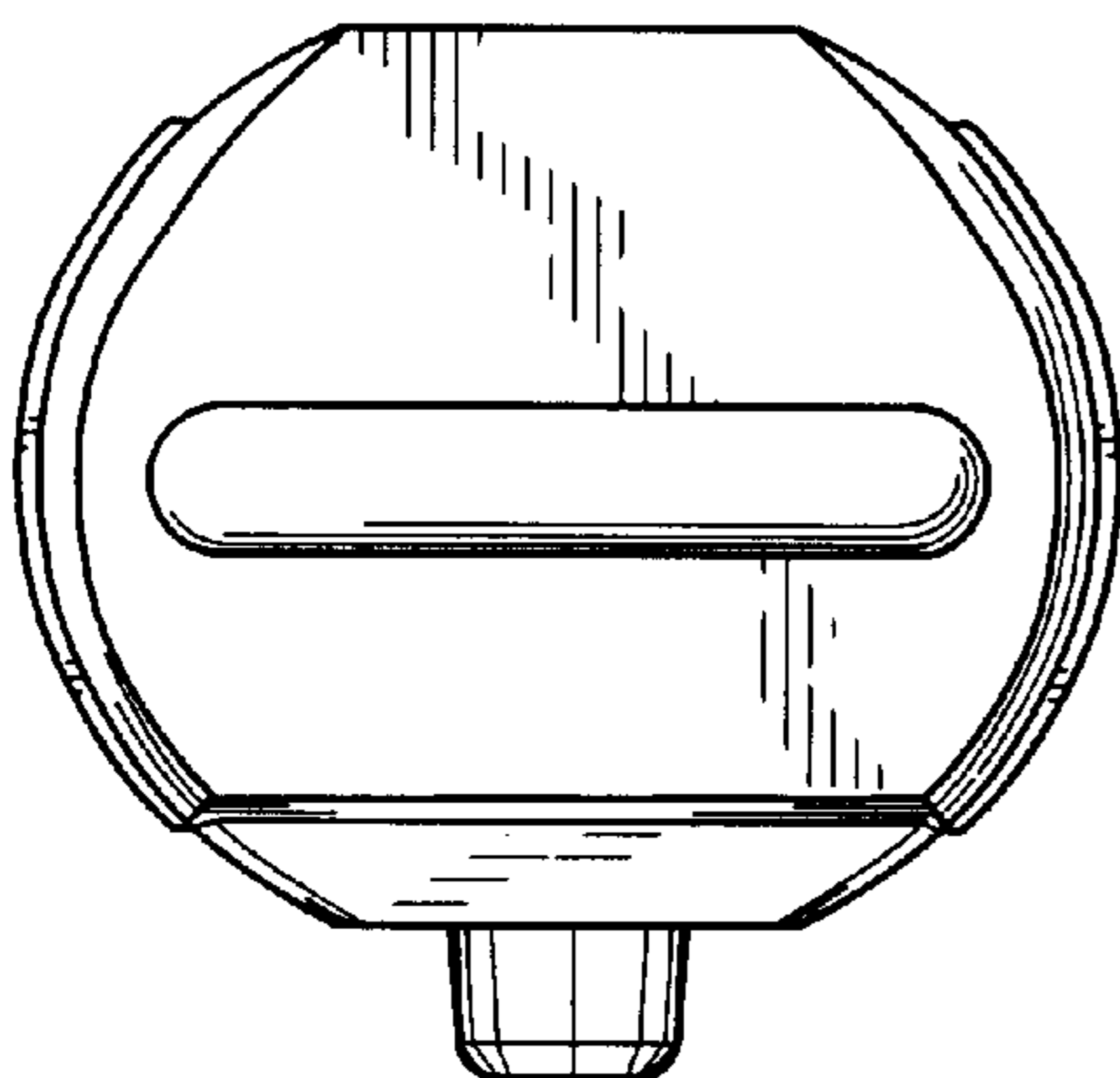


FIG. 6

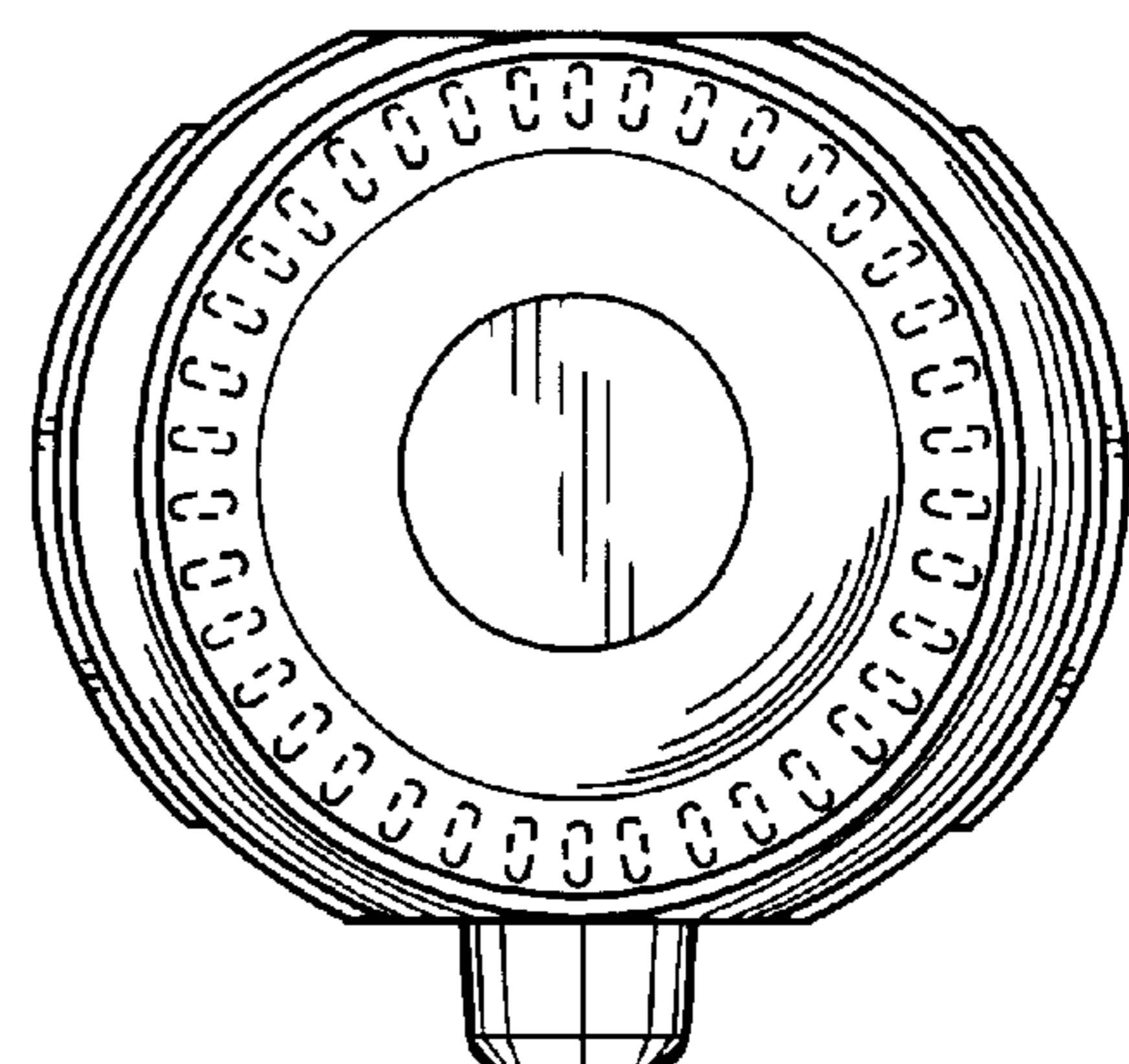


FIG. 7