



US00D458529S

(12) **United States Design Patent**
Vito

(10) **Patent No.:** **US D458,529 S**

(45) **Date of Patent:** **** Jun. 11, 2002**

(54) **ANTI-THEFT DEVICE**

(76) **Inventor:** **Robert A. Vito**, 1434 Sugartown Rd.,
Berwyn, PA (US) 19312

(**) **Term:** **14 Years**

(21) **Appl. No.:** **29/155,059**

(22) **Filed:** **Feb. 1, 2002**

Related U.S. Application Data

(63) Continuation-in-part of application No. 29/152,328, filed on Dec. 14, 2001, and application No. 10/007,090, filed on Dec. 7, 2001.

(51) **LOC (7) Cl.** **08-07**

(52) **U.S. Cl.** **D8/331**

(58) **Field of Search** D8/330, 331, 339;
70/209, 225, 226, 237, 252

(56) **References Cited**

U.S. PATENT DOCUMENTS

2,716,336	A	8/1955	Ross	
3,190,090	A	6/1965	Zaidener	
3,690,131	A	9/1972	Davis	
3,898,823	A	8/1975	Ludeman	
4,696,172	A	9/1987	Farrow	
4,699,238	A	10/1987	Tamir	
4,779,435	A	10/1988	Farrow	
D330,844	S	* 11/1992	Chang	D8/331
5,259,222	A	11/1993	Jang	
5,267,458	A	12/1993	Heh	
5,299,438	A	* 4/1994	Chen	70/209
5,329,793	A	7/1994	Chen	
5,488,844	A	2/1996	Winner	
D369,738	S	* 5/1996	Hull, Jr. et al.	D8/331
5,513,506	A	5/1996	Ricalde	
D372,418	S	8/1996	Winner	
5,598,142	A	1/1997	Winner, Jr.	
5,600,979	A	2/1997	Winner et al.	
5,604,384	A	2/1997	Carlo et al.	
5,613,383	A	3/1997	Banez	
5,635,899	A	6/1997	Carlo et al.	
5,653,133	A	8/1997	Passantino	

(List continued on next page.)

Primary Examiner—Brian N. Vinson

(74) *Attorney, Agent, or Firm*—Volpe and Koenig, P.C.

(57) **CLAIM**

The ornamental design for an anti-theft device, as shown and described.

DESCRIPTION

FIG. 1 is a perspective view of an anti-theft device according to a first preferred embodiment of my new design;

FIG. 2 is a right-side elevational view of the anti-theft device of FIG. 1;

FIG. 3 is a left-side elevational view of the anti-theft device of FIG. 1;

FIG. 4 is a top plan view of the anti-theft device of FIG. 1;

FIG. 5 is a front side view of the anti-theft device of FIG. 1;

FIG. 6 is a bottom plan view of the anti-theft device of FIG. 1;

FIG. 7 is a rear side view of the anti-theft device of FIG. 1;

FIG. 8 is a perspective view of the anti-theft device of FIG. 1;

FIG. 9 is a perspective view of an anti-theft device according to a second preferred embodiment of my new design;

FIG. 10 is a right-side elevational view of the anti-theft device of FIG. 9;

FIG. 11 is a left-side elevational view of the anti-theft device of FIG. 9;

FIG. 12 is a top plan view of the anti-theft device of FIG. 9;

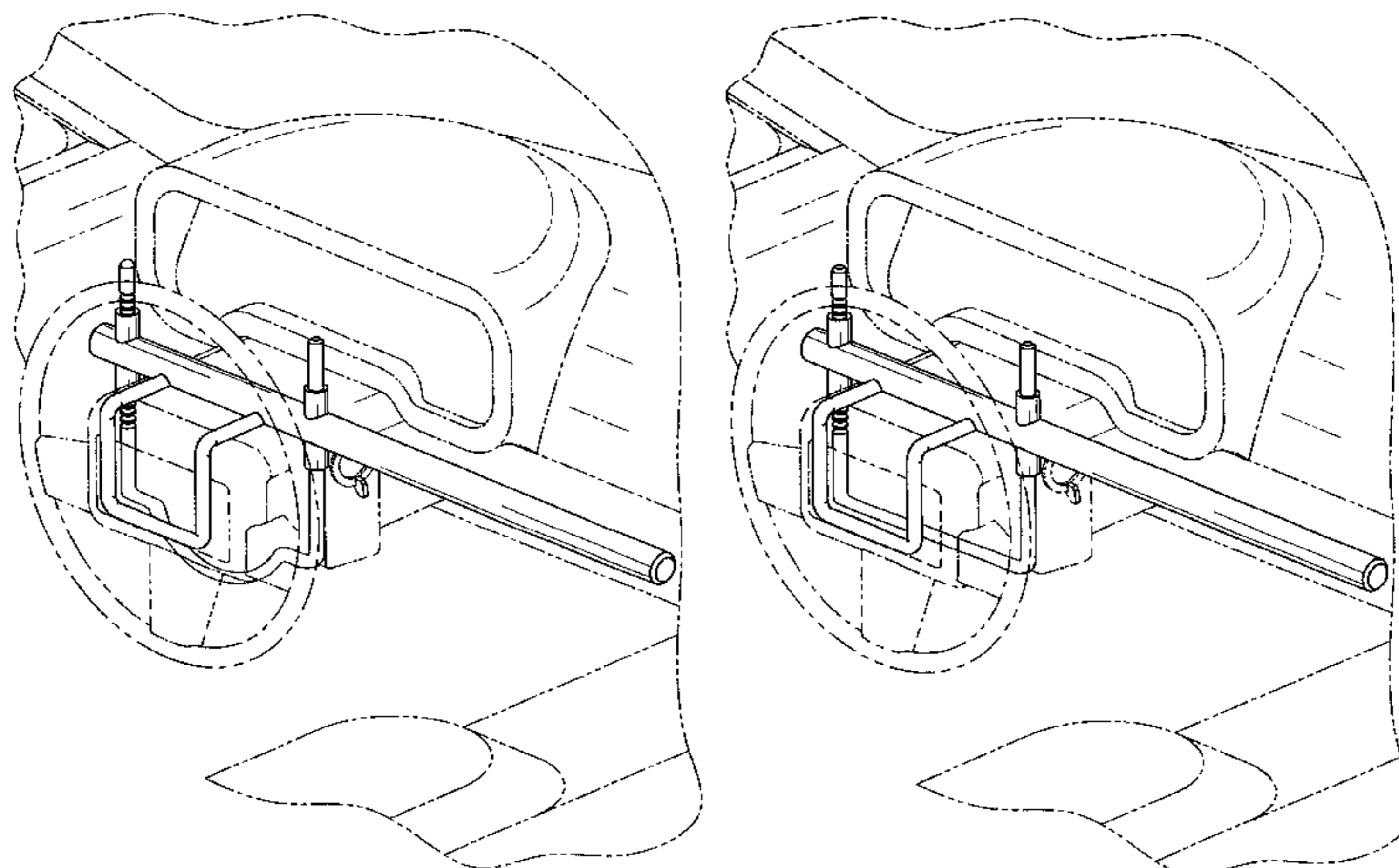
FIG. 13 is a front side view of the anti-theft device of FIG. 9;

FIG. 14 is a bottom plan view of the anti-theft device of FIG. 9;

FIG. 15 is a rear side view of the anti-theft device of FIG. 9; and,

FIG. 16 is a perspective view of the anti-theft device of FIG. 9, the broken-line disclosure of environment in both this figure and FIG. 8 are for illustrative purposes only and form no part of the claimed design.

1 Claim, 8 Drawing Sheets



US D458,529 S

Page 2

U.S. PATENT DOCUMENTS

D383,372 S	9/1997	Winner	5,881,587 A	3/1999	Vito	
5,671,620 A	9/1997	Carvey et al.	5,887,464 A	3/1999	Perez	
5,673,575 A	10/1997	Carlo et al.	5,901,586 A	5/1999	Hale	
5,677,668 A	10/1997	Winner, Jr.	5,906,121 A	5/1999	Mankarious	
5,704,233 A	1/1998	Farshad	5,921,115 A	7/1999	Winner	
5,709,113 A	1/1998	Godfrey	D412,826 S *	8/1999	Calpito	D8/331
D391,142 S	2/1998	Winner	5,996,721 A	12/1999	Winner	
5,730,008 A	3/1998	Case et al.	6,029,483 A	2/2000	Daniels	
5,735,149 A	4/1998	Winner, Jr.	6,089,055 A	7/2000	Vito	
5,755,123 A	5/1998	Winner, Jr.	6,116,065 A	9/2000	Hale	
5,765,415 A	6/1998	Savinsky	D432,390 S *	10/2000	Geringer et al.	D8/331
5,778,709 A	7/1998	Hsu	6,131,426 A	10/2000	Tarnofsky	
D398,830 S	9/1998	Winner	6,192,724 B1	2/2001	Vito	
5,826,448 A	10/1998	Graham	6,202,456 B1	3/2001	Vickers	
5,836,186 A	11/1998	Winner, Jr.	6,212,920 B1	4/2001	Winner	
5,842,361 A	12/1998	Banez	6,223,568 B1	5/2001	Wu	
5,855,128 A	1/1999	Voiculescu	6,223,569 B1	5/2001	Wu	
5,865,044 A	2/1999	Wu	6,230,527 B1	5/2001	Wu	
5,870,912 A	2/1999	Vito	6,240,753 B1	6/2001	Wu	

* cited by examiner

FIG. 1

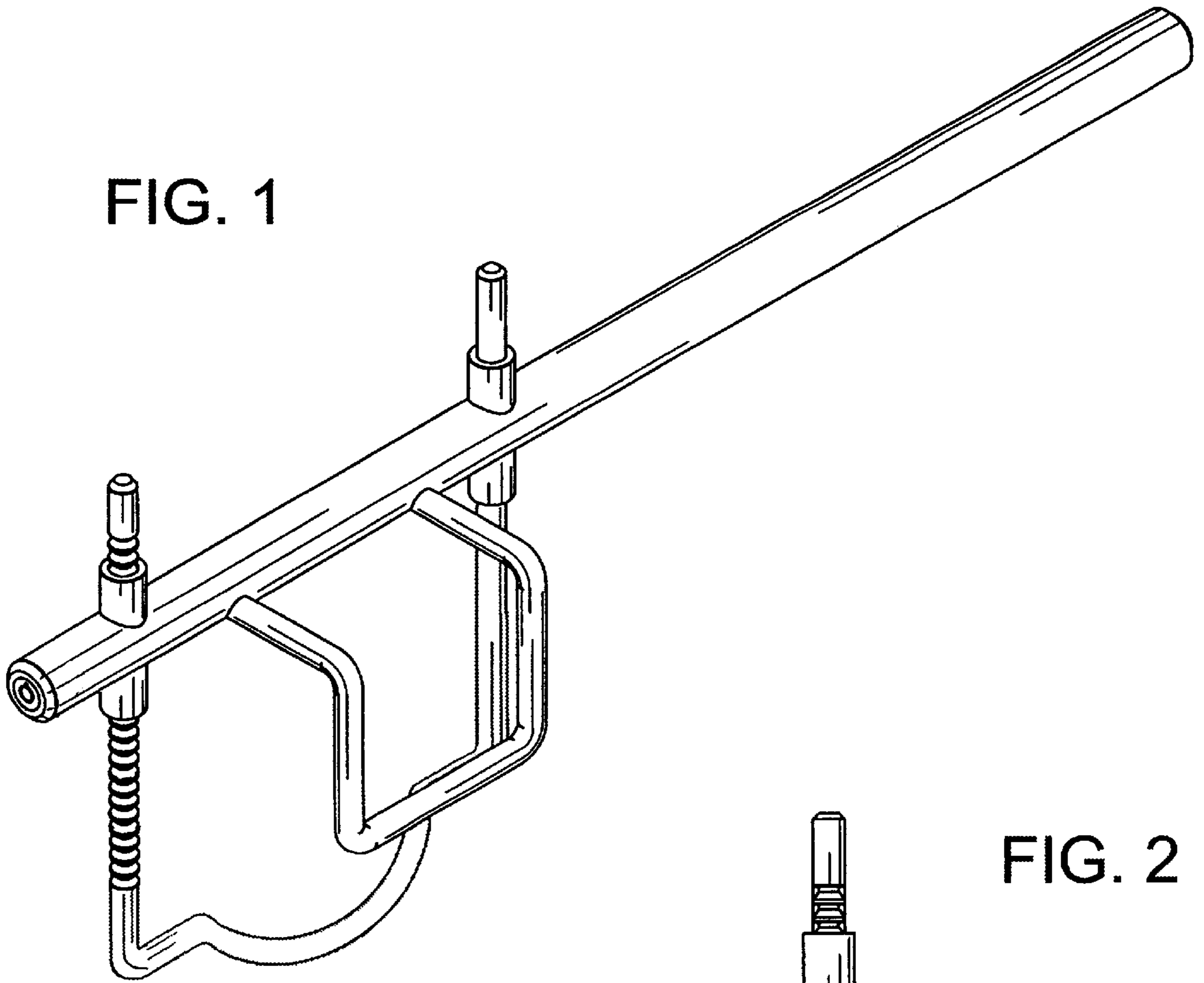


FIG. 2

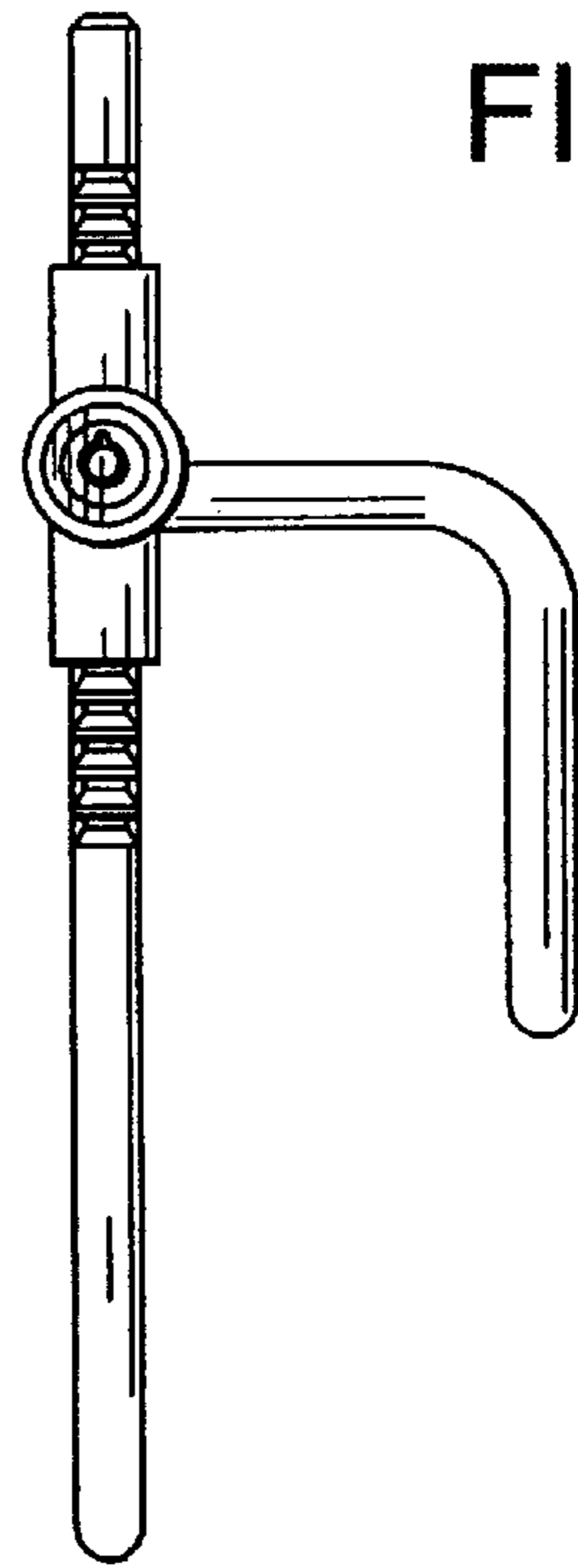
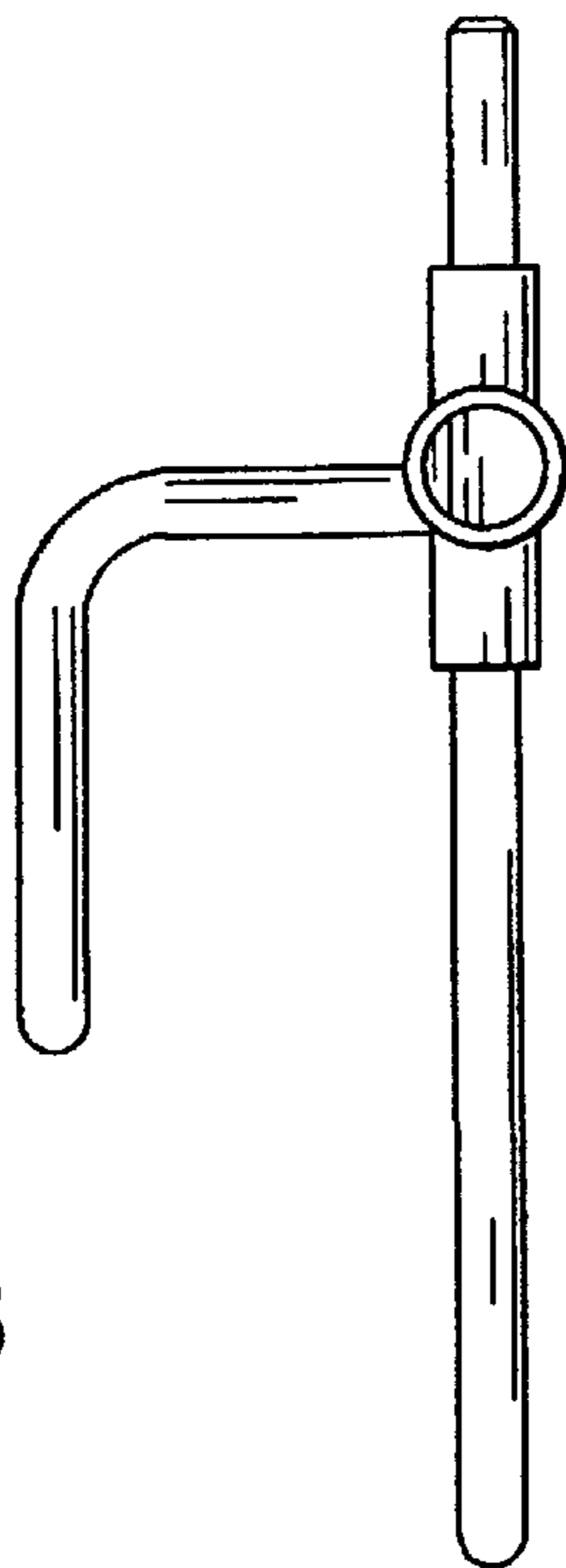


FIG. 3



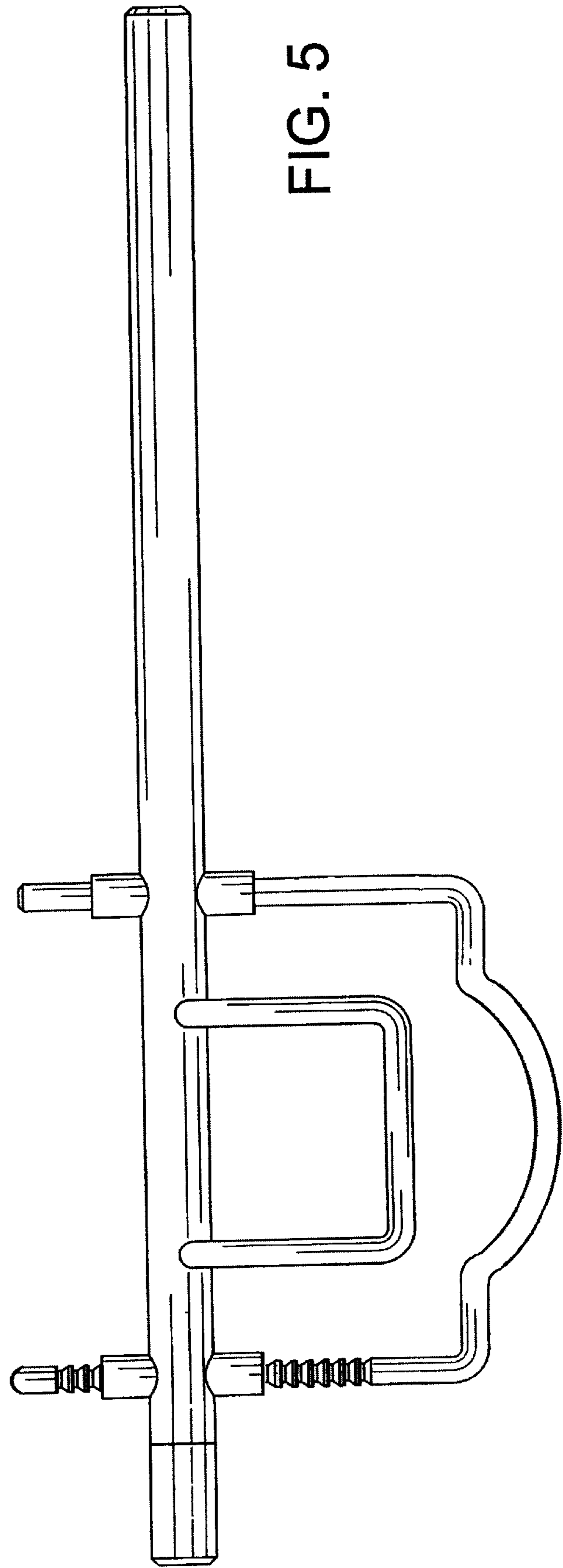
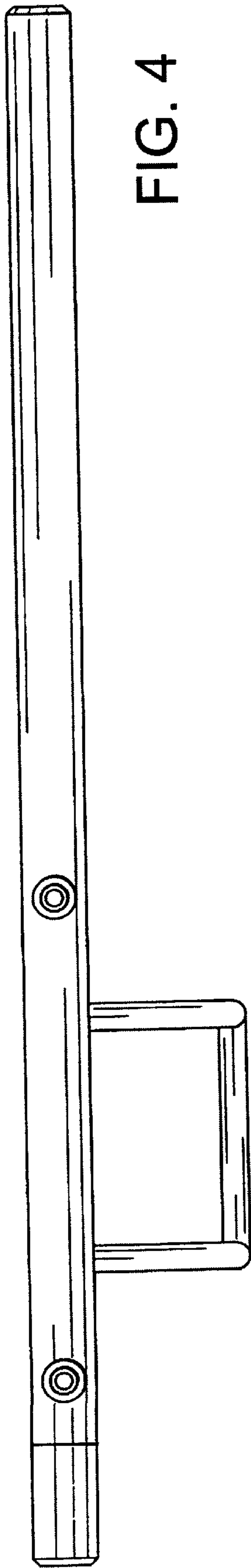


FIG. 4

FIG. 5

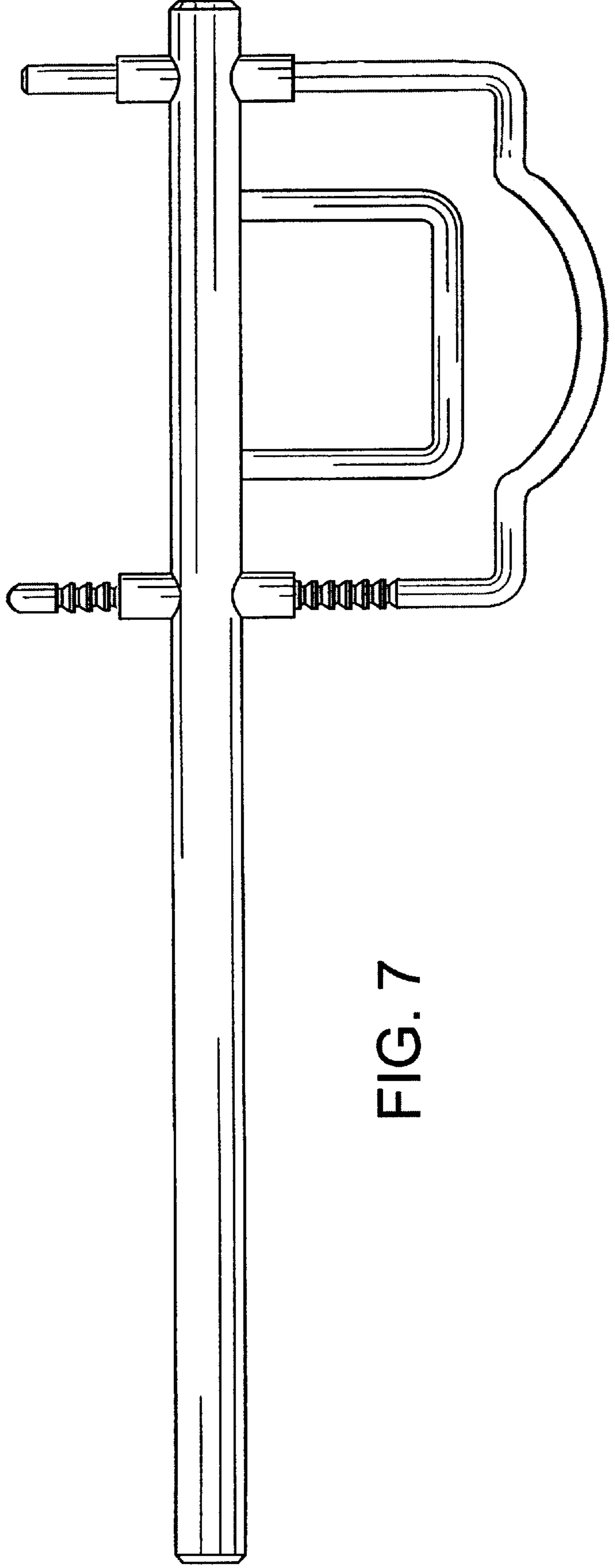
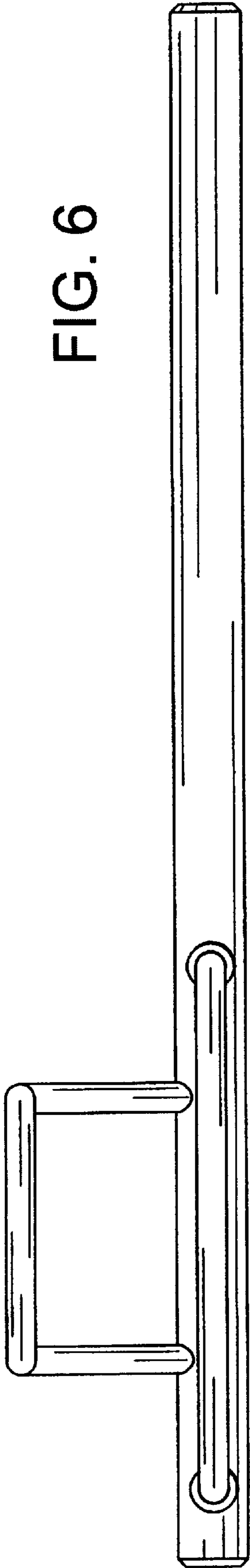


FIG. 6

FIG. 7

FIG. 8

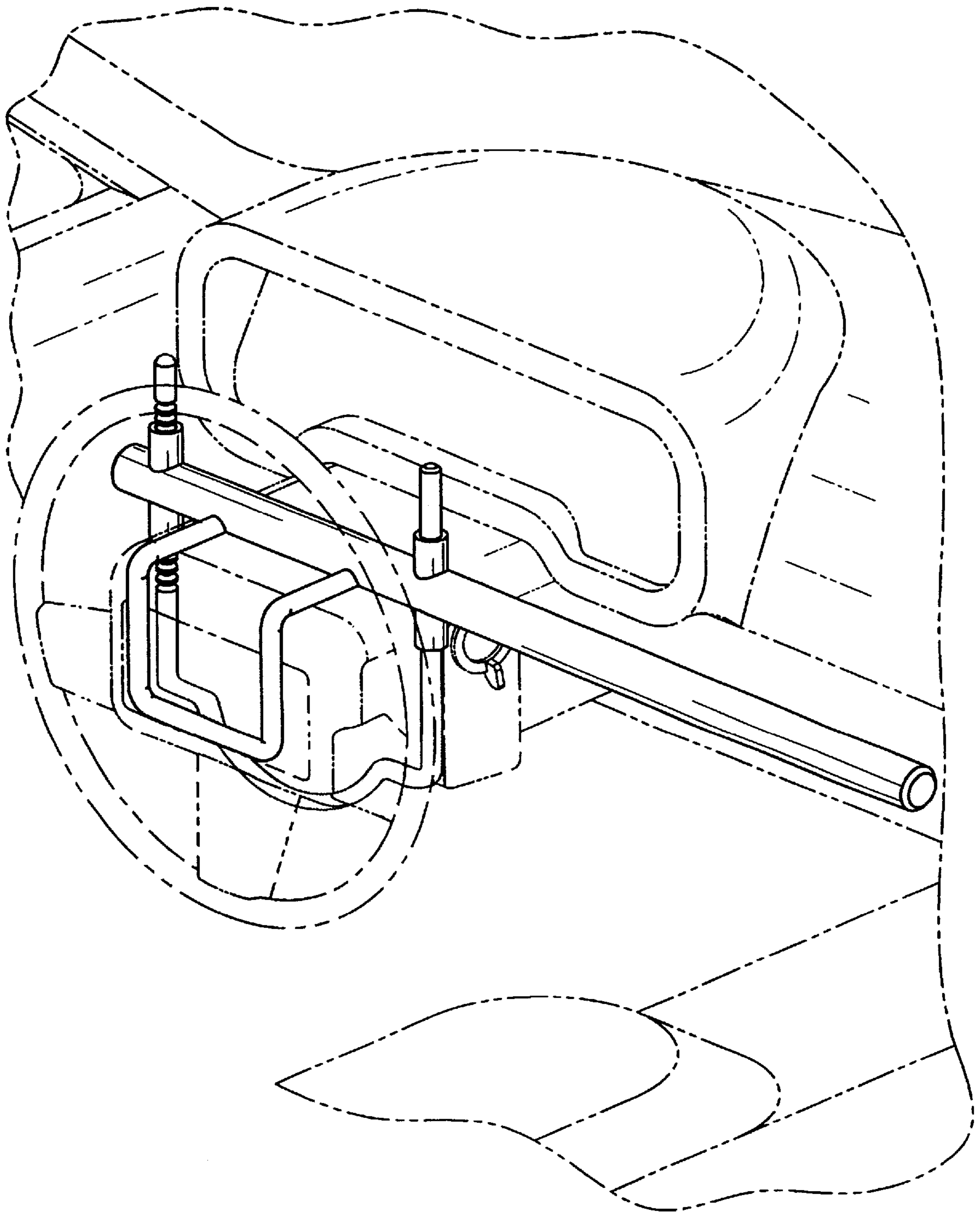


FIG. 9

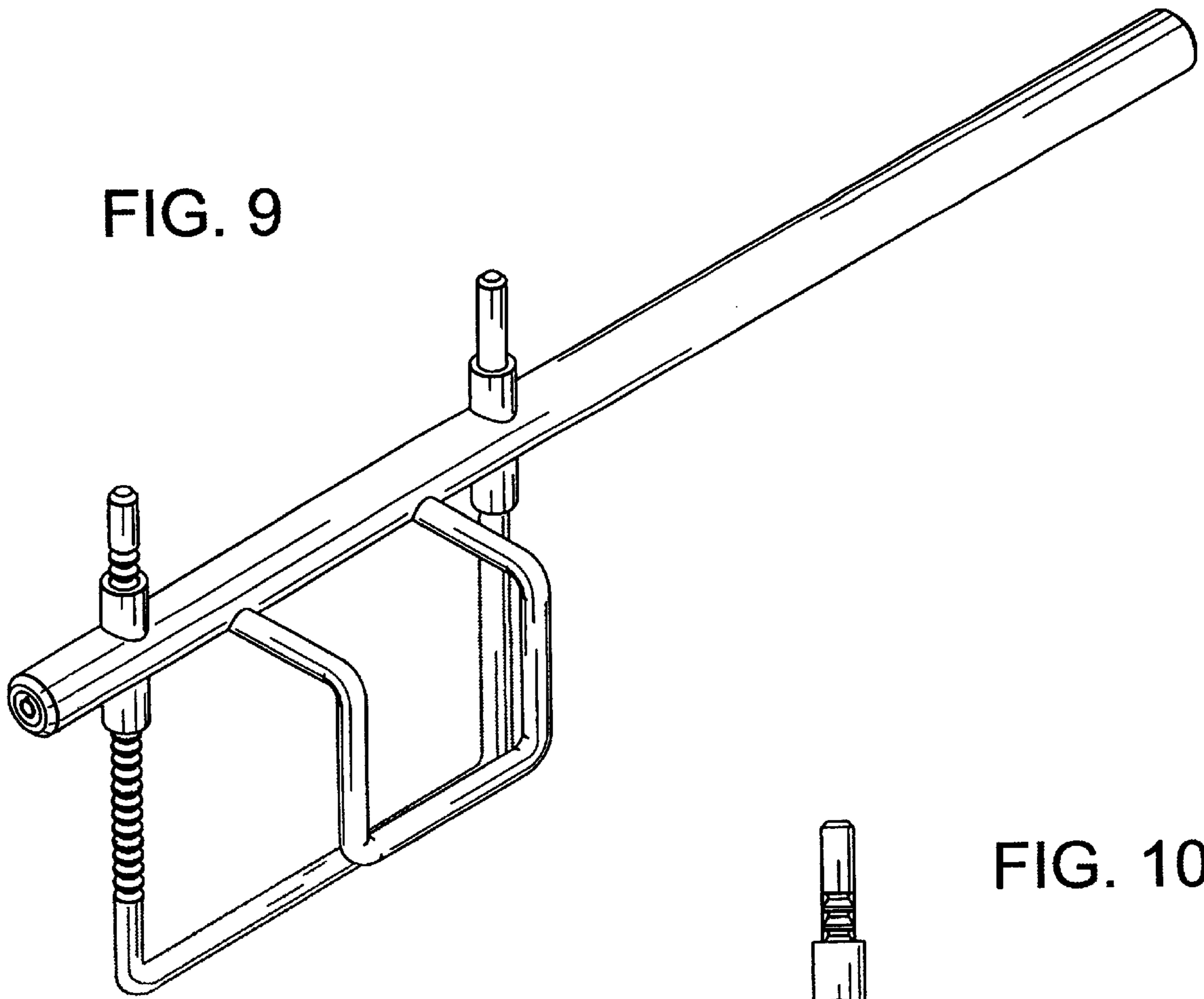


FIG. 10

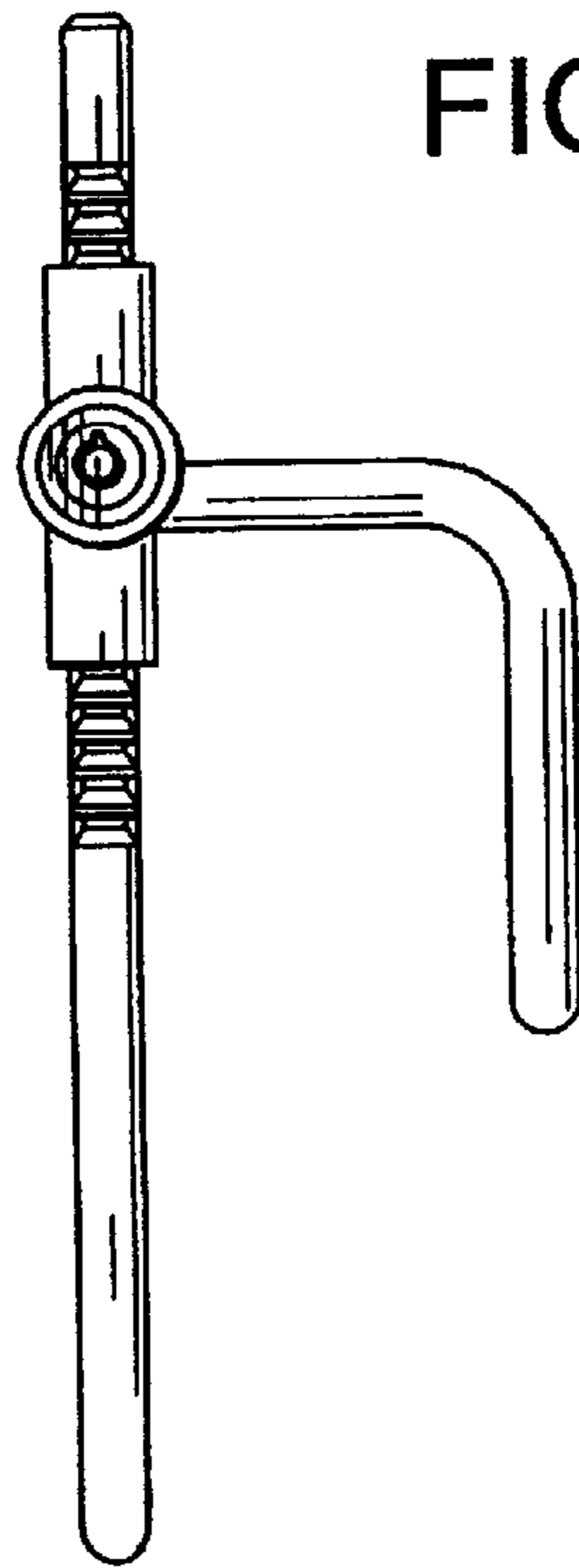
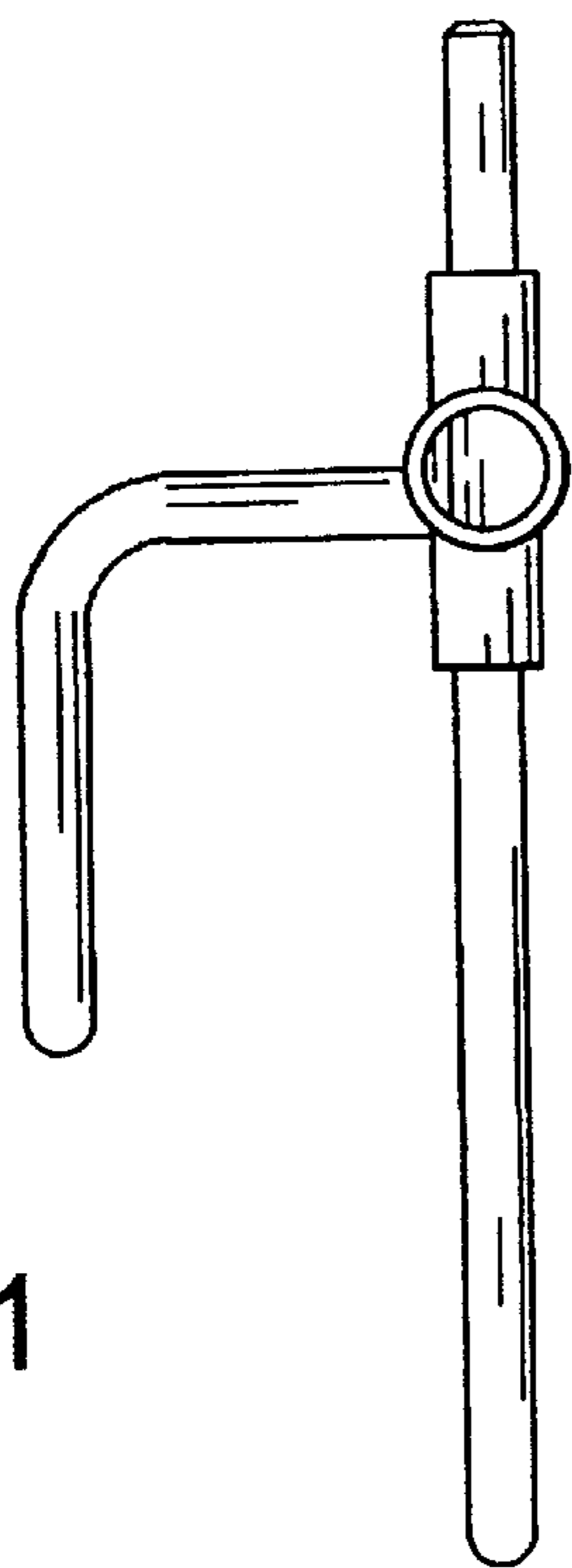


FIG. 11



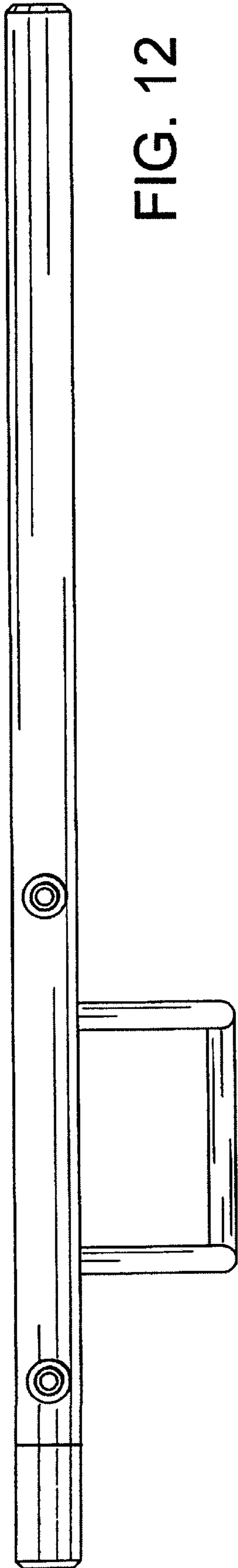


FIG. 12

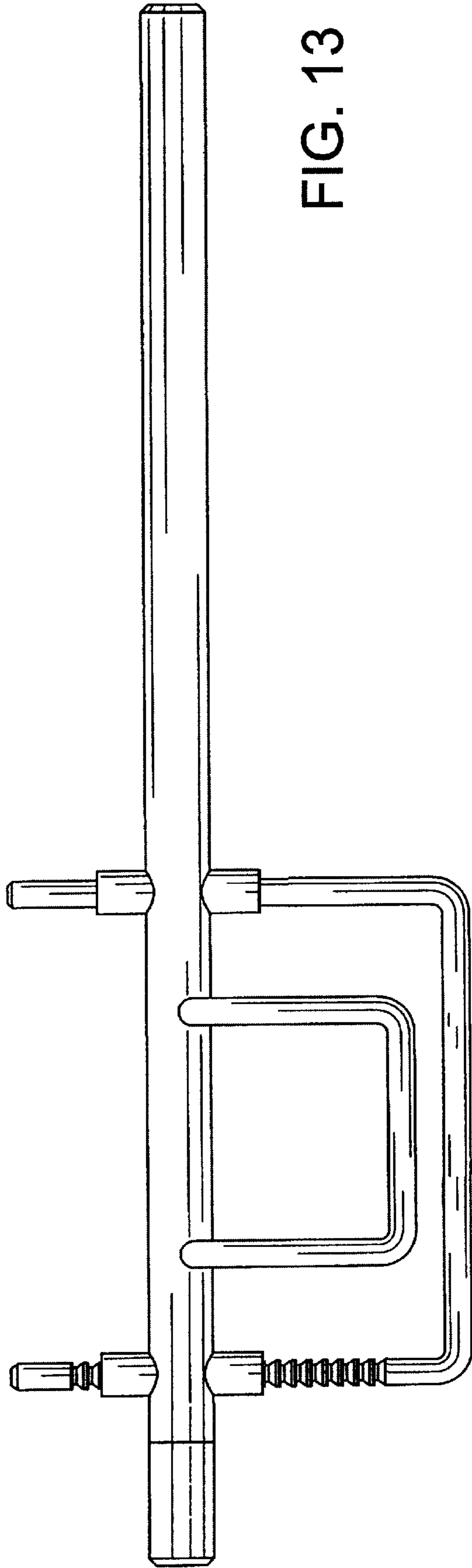


FIG. 13

FIG. 14

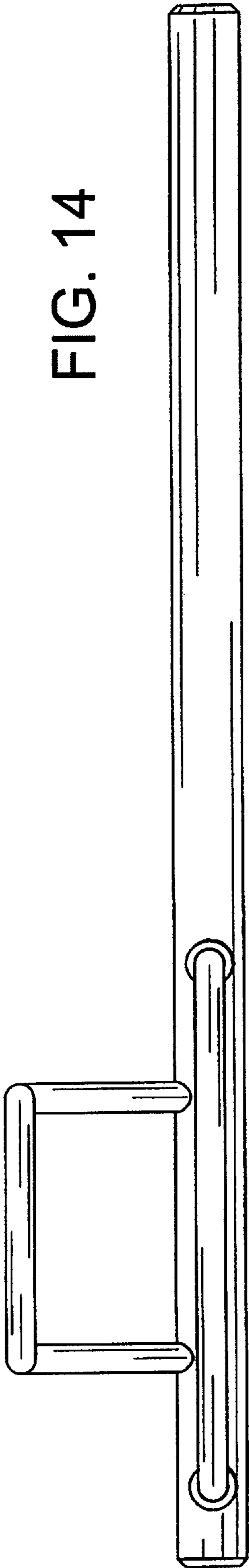


FIG. 15

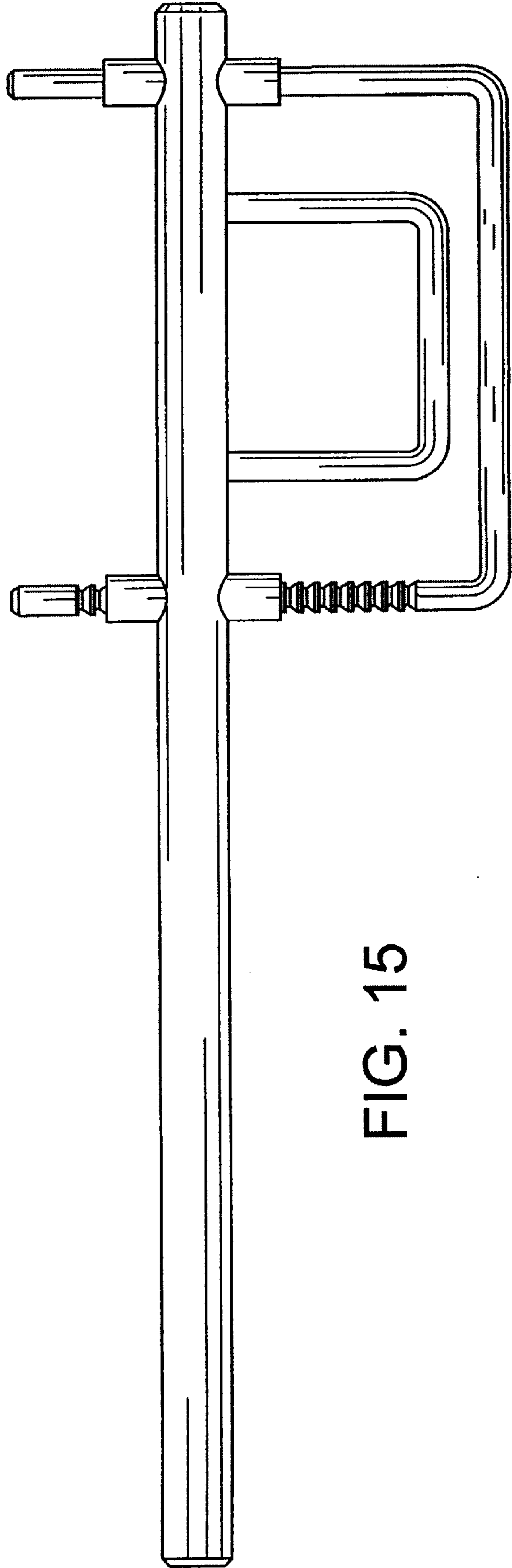


FIG. 16

