



US00D458526S

(12) **United States Design Patent**
Budrow

(10) **Patent No.:** **US D458,526 S**

(45) **Date of Patent:** **** Jun. 11, 2002**

(54) **UTILITY KNIFE**

(75) Inventor: **William B. Budrow**, Long Beach, CA (US)

(73) Assignee: **AWI Acquisition Company**, Sylmar, CA (US)

(**) Term: **14 Years**

(21) Appl. No.: **29/145,449**

(22) Filed: **Jul. 24, 2001**

(51) **LOC (7) Cl.** **08-03**

(52) **U.S. Cl.** **D8/99**

(58) **Field of Search** D8/51, 98, 99;
30/162, 320, 329, 335, 337

(56) **References Cited**

U.S. PATENT DOCUMENTS

D319,978 S	*	9/1991	Wolff	D7/586
D348,383 S	*	7/1994	Perkins	D8/99
D395,219 S	*	6/1998	Ghavami	D8/99
D400,774 S	*	11/1998	Ghavami	D8/99
D413,783 S	*	9/1999	Huang	D8/99
5,966,817 A	*	10/1999	Lee	30/162
5,979,057 A	*	11/1999	Chao	30/125

D420,270 S	*	2/2000	Martone	D8/99
D439,492 S	*	3/2001	Martone et al.	D8/99
D445,662 S	*	7/2001	Huang	D8/98

* cited by examiner

Primary Examiner—Philip S. Hyder

(74) *Attorney, Agent, or Firm*—Jack C. Munro

(57) **CLAIM**

The ornamental design for a utility knife, as shown and described.

DESCRIPTION

FIG. 1 is a perspective view of the utility knife showing my new design with the retractable knife blade being shown extended in phantom;

FIG. 2 is a front elevational view thereof;

FIG. 3 is a right side elevational view thereof;

FIG. 4 is a rear elevational view thereof;

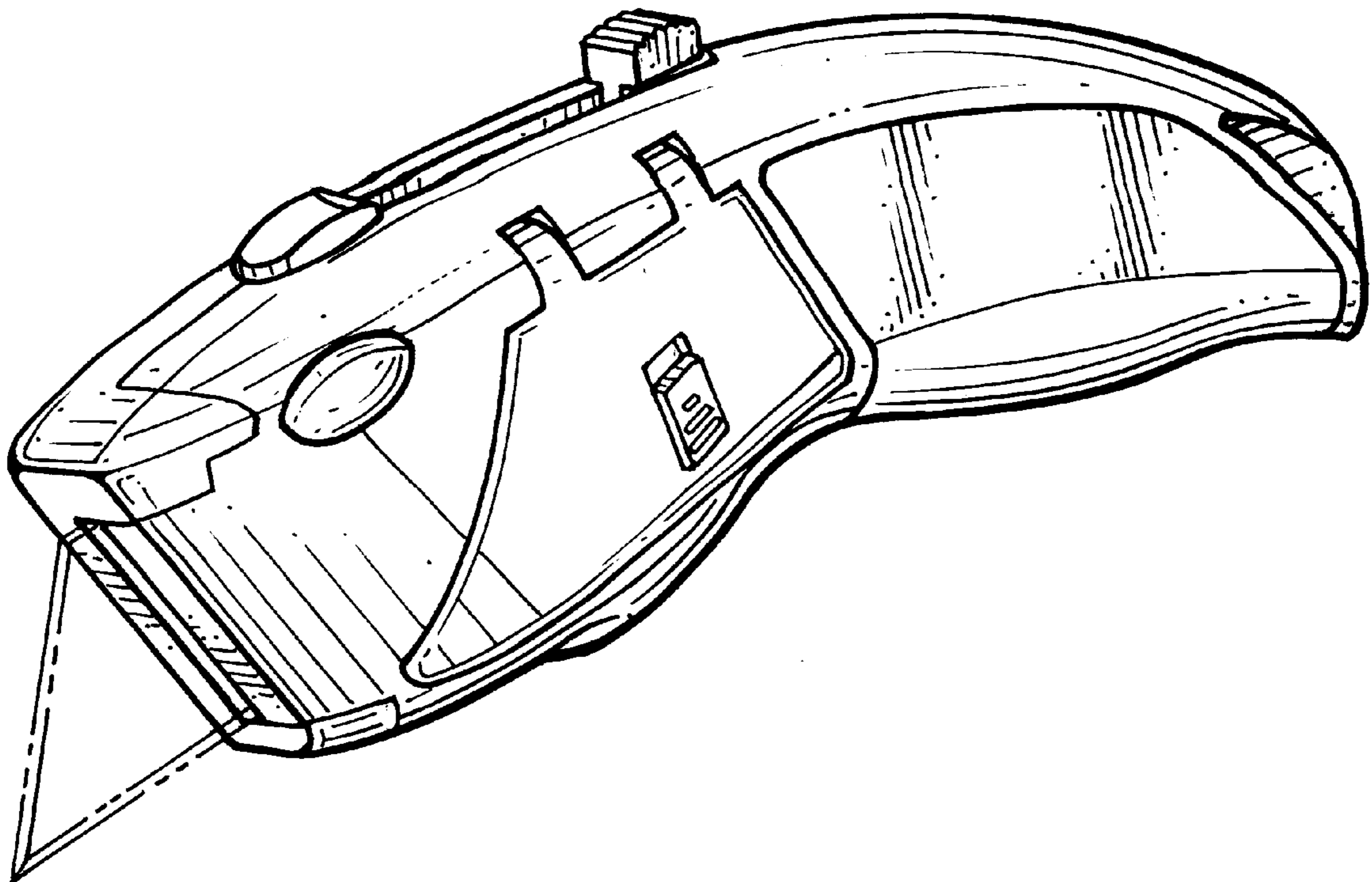
FIG. 5 is a left side elevational view thereof;

FIG. 6 is a top plan view thereof; and,

FIG. 7 is a bottom plan view thereof.

The broken line showing of the knife blade in FIG. 1 is for illustrative purposes only and forms no part of the claimed design.

1 Claim, 2 Drawing Sheets



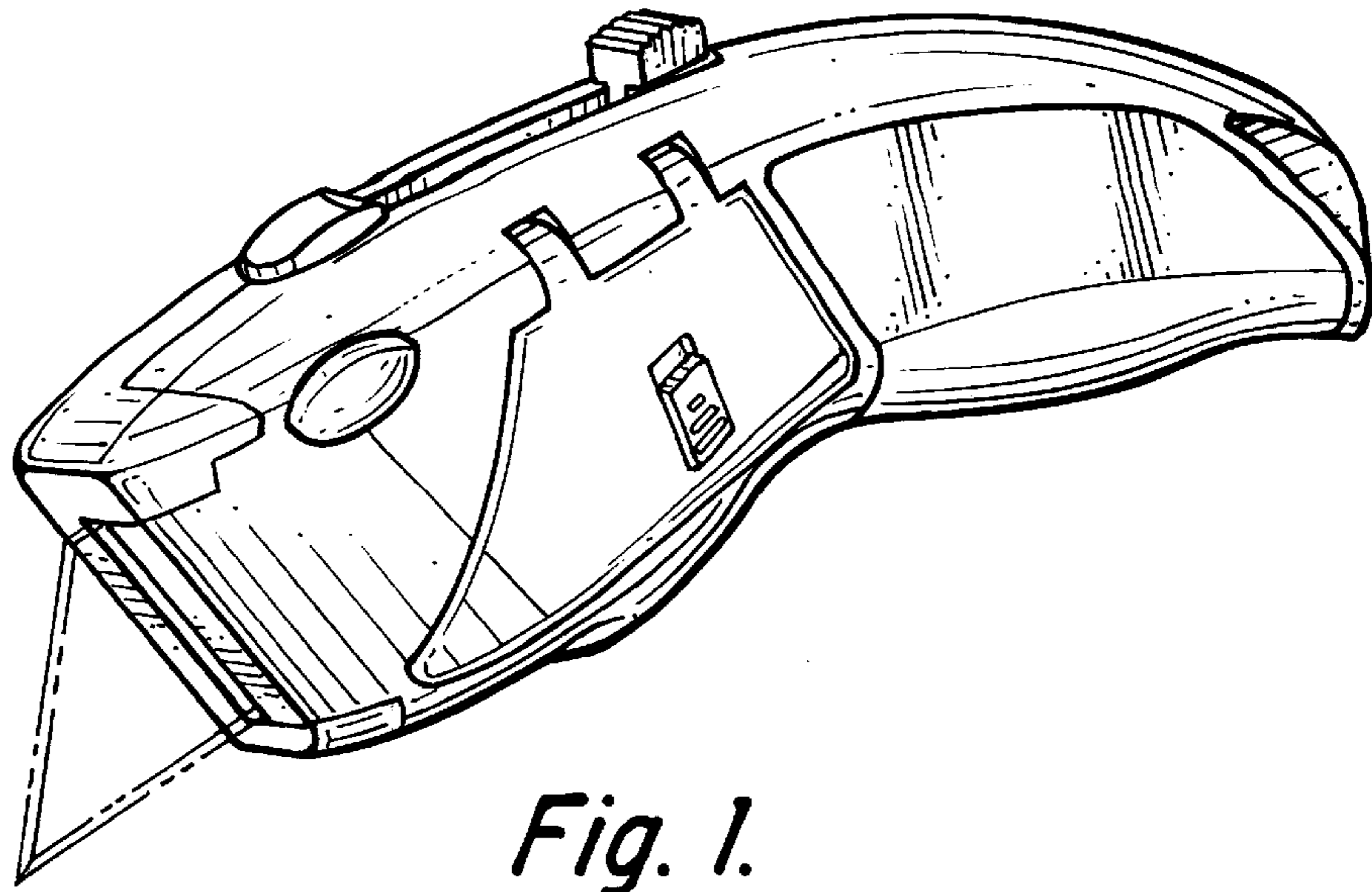


Fig. 1.

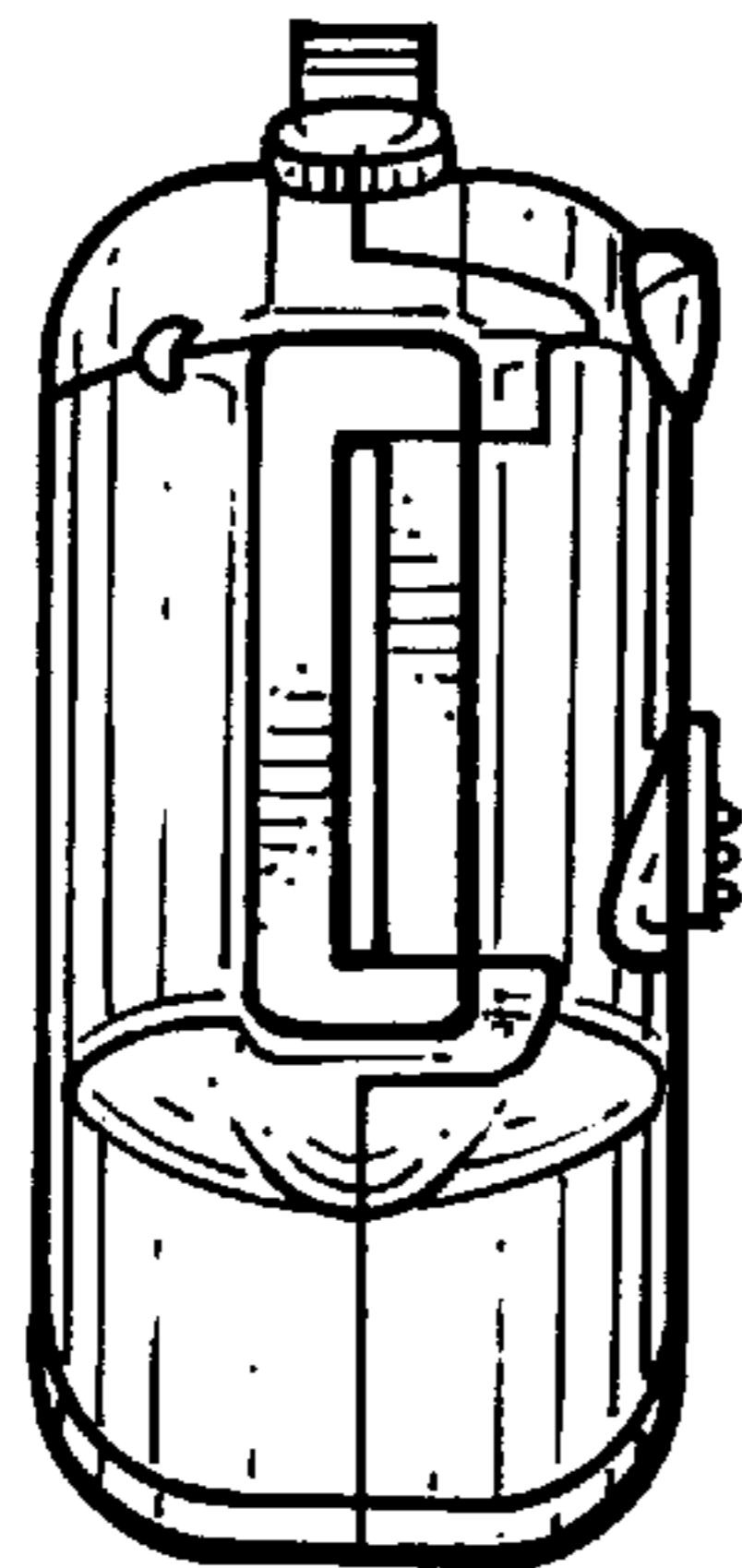


Fig. 2.

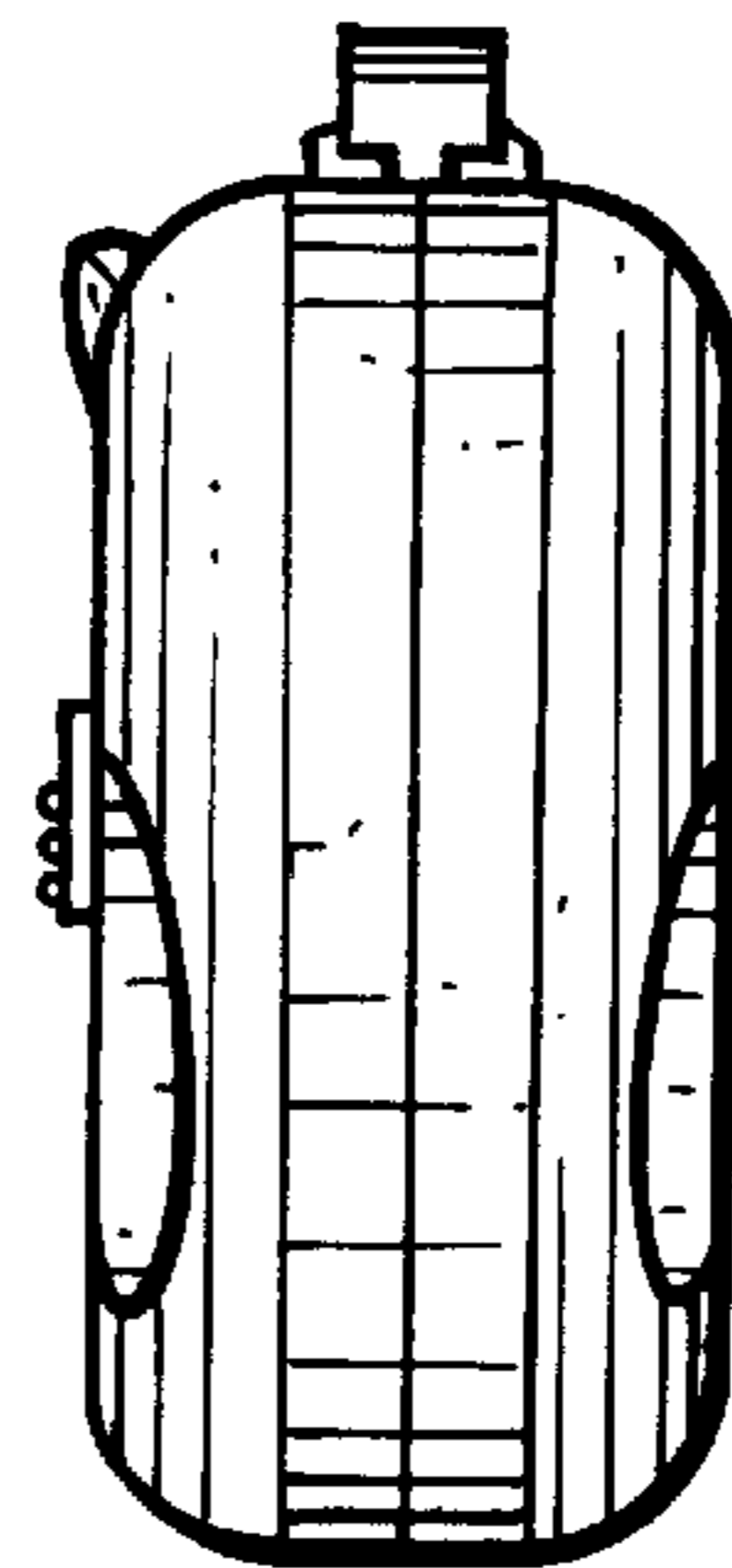


Fig. 4.

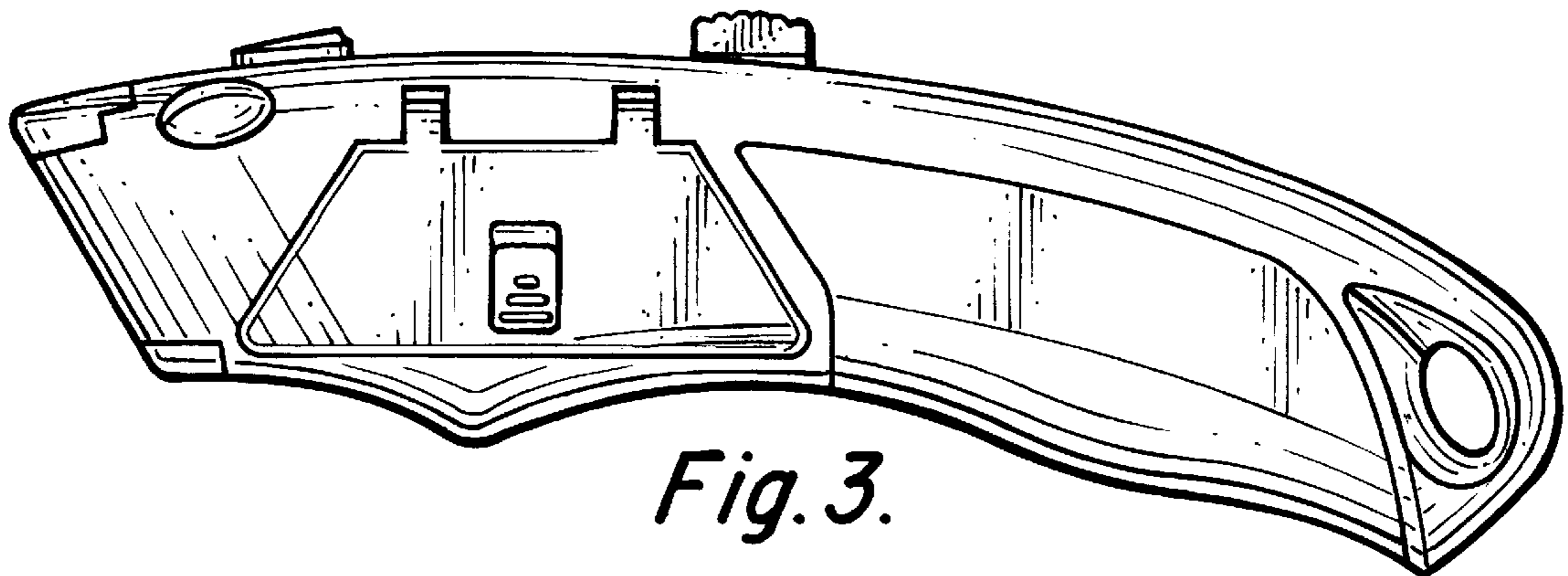


Fig. 3.

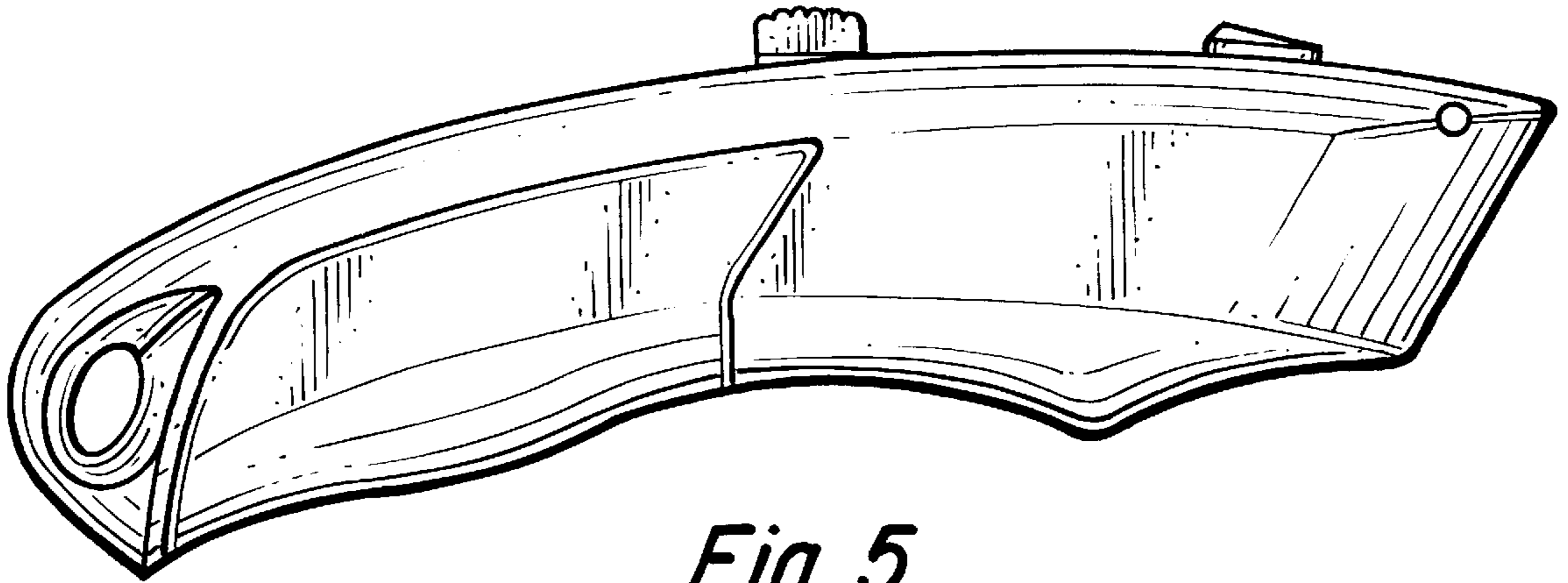


Fig. 5.

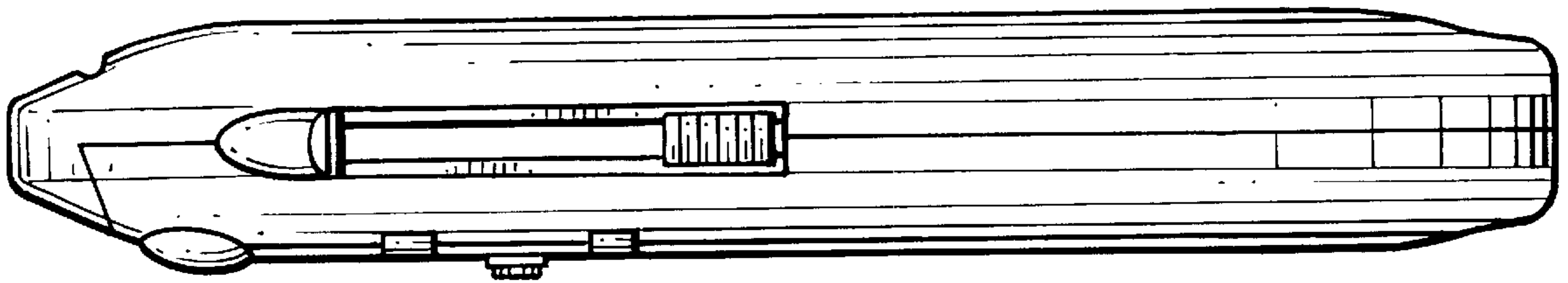


Fig. 6.

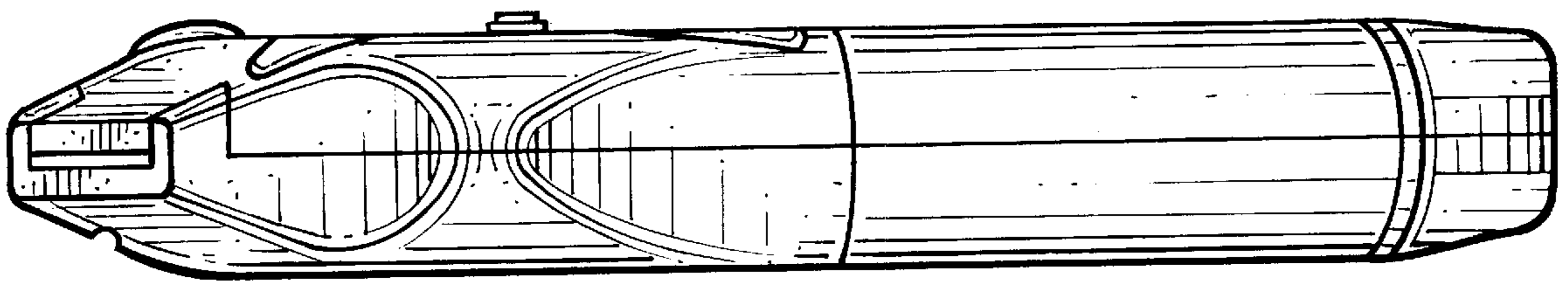


Fig. 7.