



US00D458524S

(12) **United States Design Patent**  
**Cheng**

(10) **Patent No.:** **US D458,524 S**

(45) **Date of Patent:** **\*\* Jun. 11, 2002**

(54) **HOT AIR BLOWER**

D388,297 S \* 12/1997 Bittenbender ..... D8/29.1  
D388,298 S \* 12/1997 Jerdee et al. .... D8/29.1

(76) Inventor: **Chuan-Hsin Cheng**, 5F,No.637-1,Sec.5,  
Chung-Hsin Road, San-Chung City,  
Taipei Hsien (TW)

\* cited by examiner

(\*\*) Term: **14 Years**

*Primary Examiner*—Philip S. Hyder  
(74) *Attorney, Agent, or Firm*—Pro-Techtor International  
Services

(21) Appl. No.: **29/141,152**

(57) **CLAIM**

(22) Filed: **Apr. 30, 2001**

The ornamental design for a hot air blower, as shown and  
described.

(51) **LOC (7) Cl.** ..... **08-05**

(52) **U.S. Cl.** ..... **D8/29.1**

(58) **Field of Search** ..... D8/29.1, 29.2,  
D8/30; 219/222, 225, 227; 392/383, 384,  
385; D28/13

**DESCRIPTION**

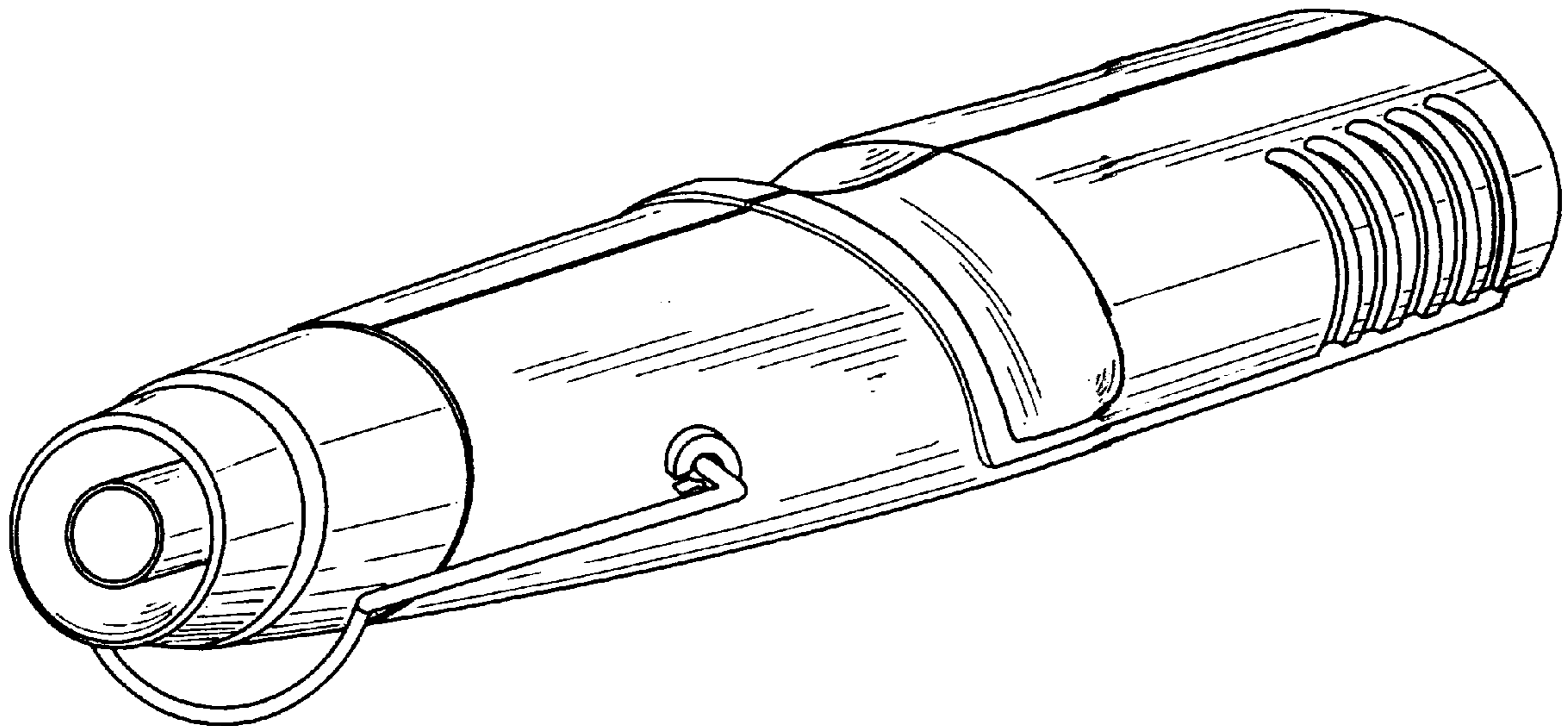
(56) **References Cited**

**U.S. PATENT DOCUMENTS**

4,629,846 A	*	12/1986	Wilson	.....	392/385
D293,020 S	*	12/1987	Steinel et al.	.....	D8/29.1
D296,070 S	*	6/1988	Cunningham	.....	D8/29.1
D297,397 S	*	8/1988	Pagani	.....	D8/29.1
D297,398 S	*	8/1988	Pagani	.....	D8/29.1
D322,742 S	*	12/1991	Spratt	.....	D8/29.1
D334,876 S	*	4/1993	Swedish	.....	D8/29.1

FIG. 1. is the front elevational view thereof.  
FIG. 2. is the rear elevational view thereof.  
FIG. 3. is the left side elevational view thereof.  
FIG. 4. is the right side elevational view thereof.  
FIG. 5. is the top plan view thereof.  
FIG. 6. is the bottom plan view thereof.  
FIG. 7. is a perspective view of a hot air blower according  
to my new Design; and,  
FIG. 8 is a perspective view thereof, with the stand in an  
extended position.

**1 Claim, 4 Drawing Sheets**



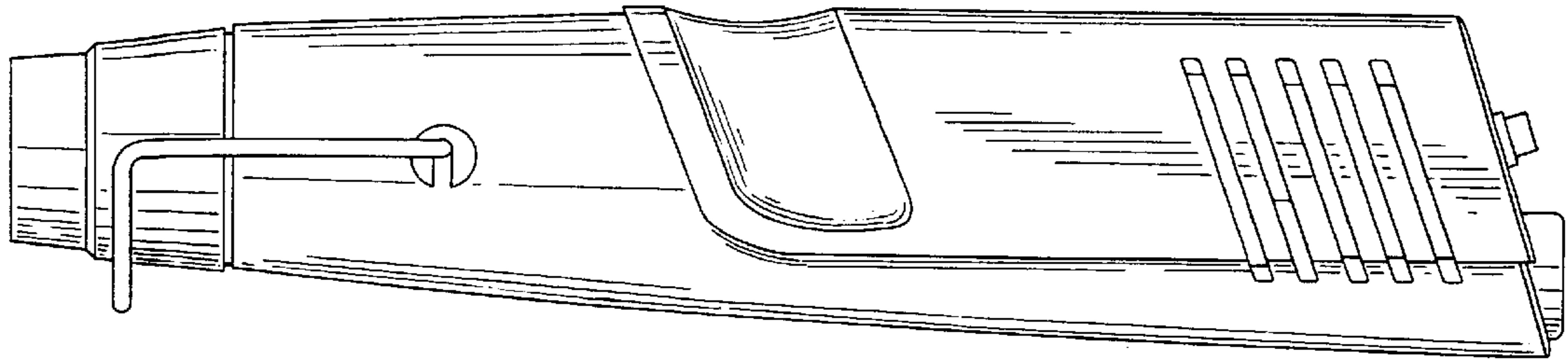


Fig. 1

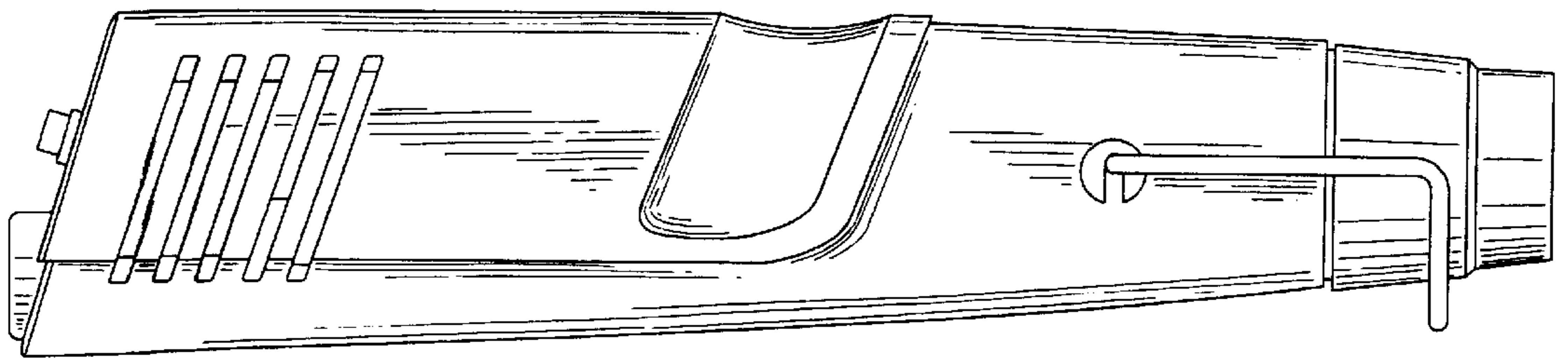


Fig. 2

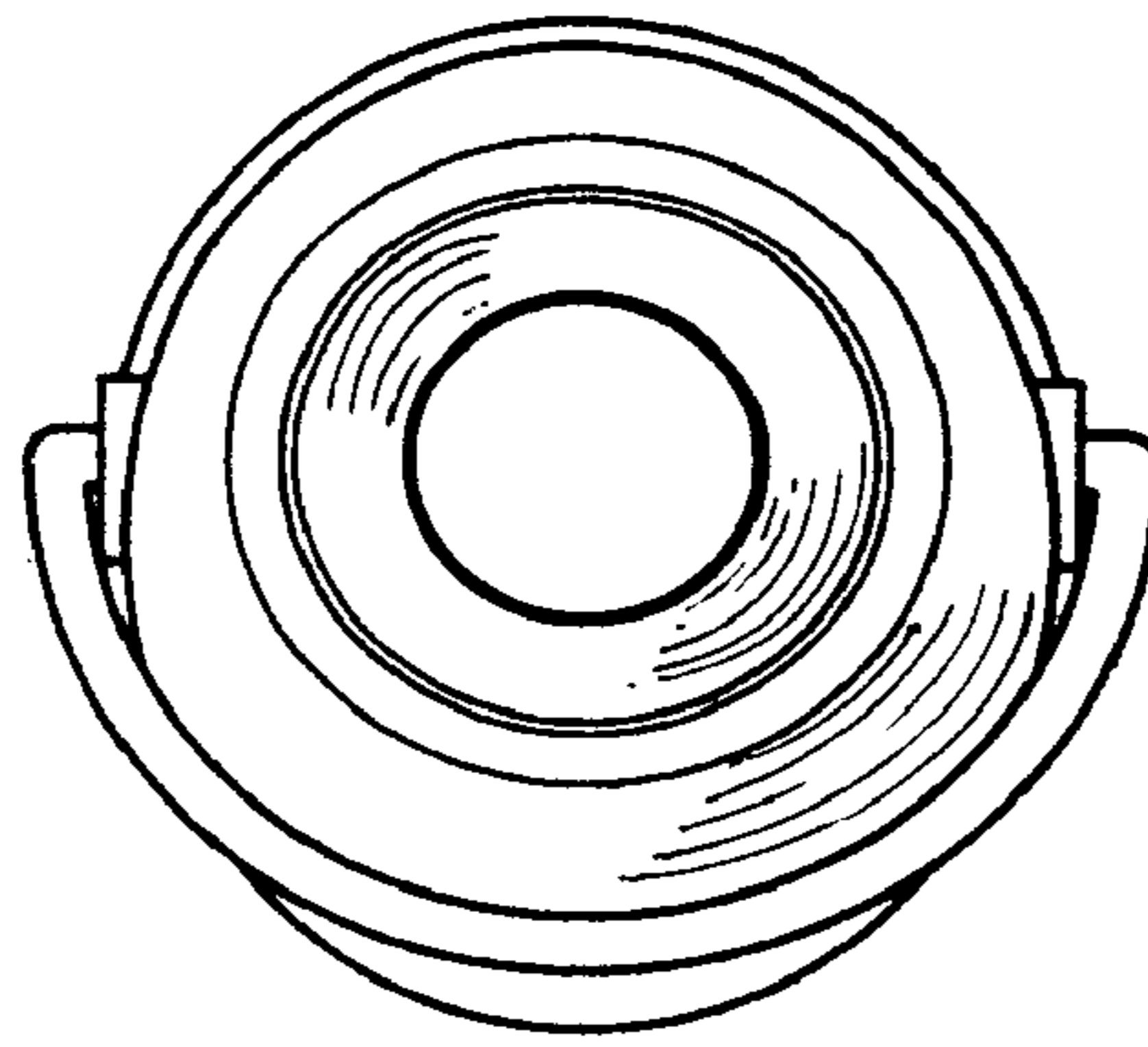


Fig. 3

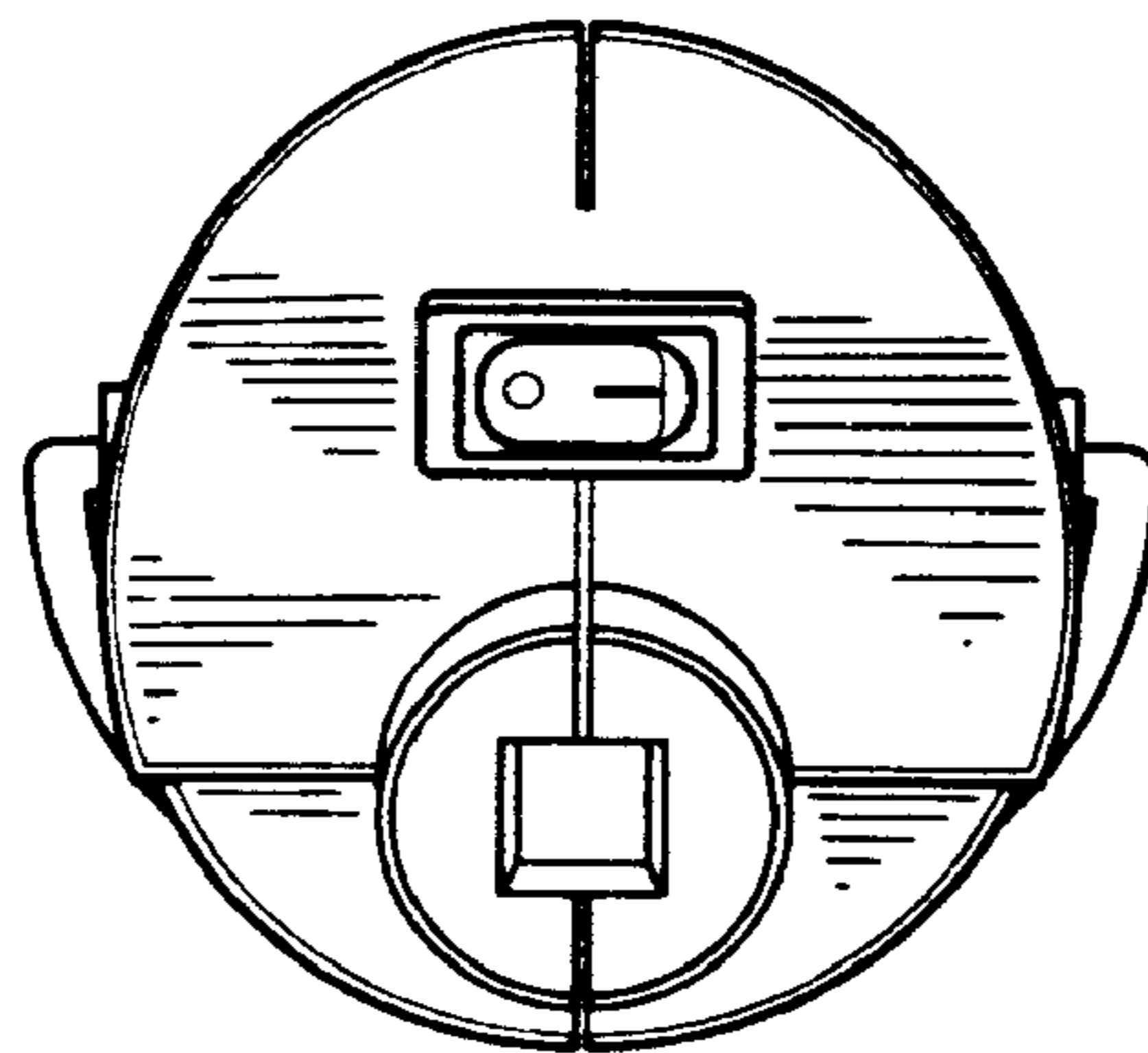


Fig. 4

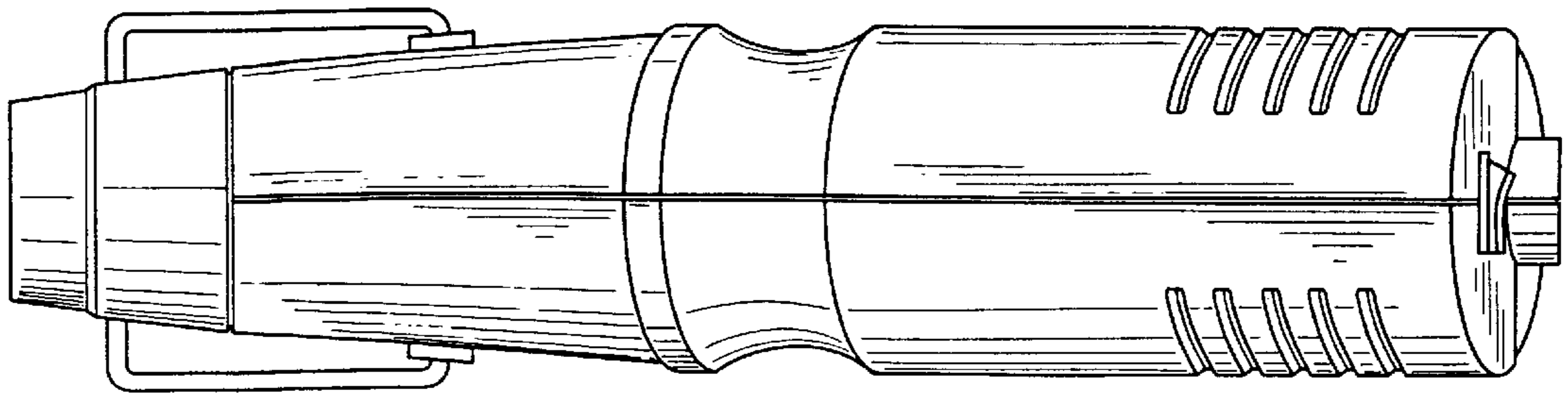


Fig. 5

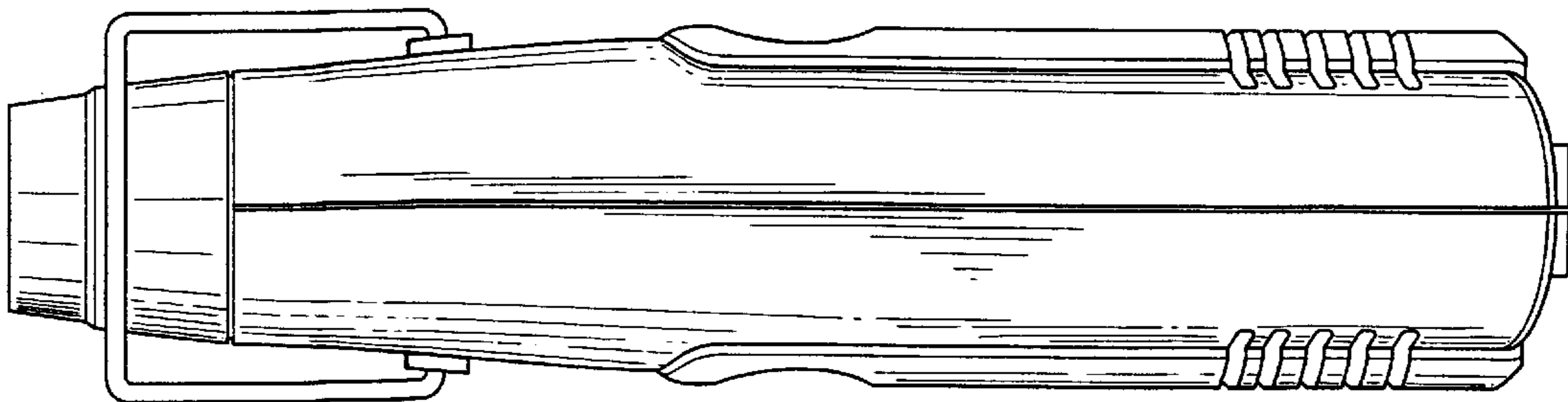


Fig. 6

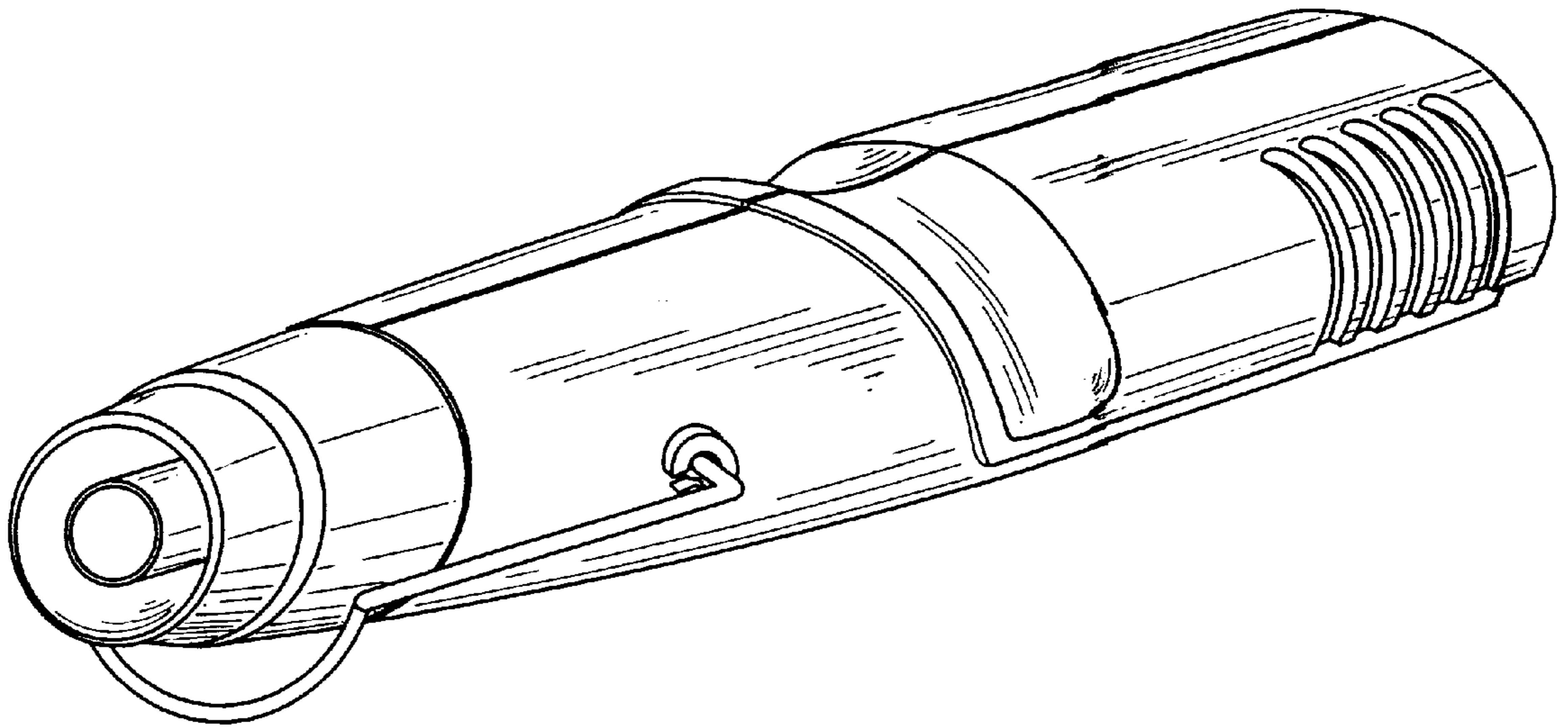


Fig. 7

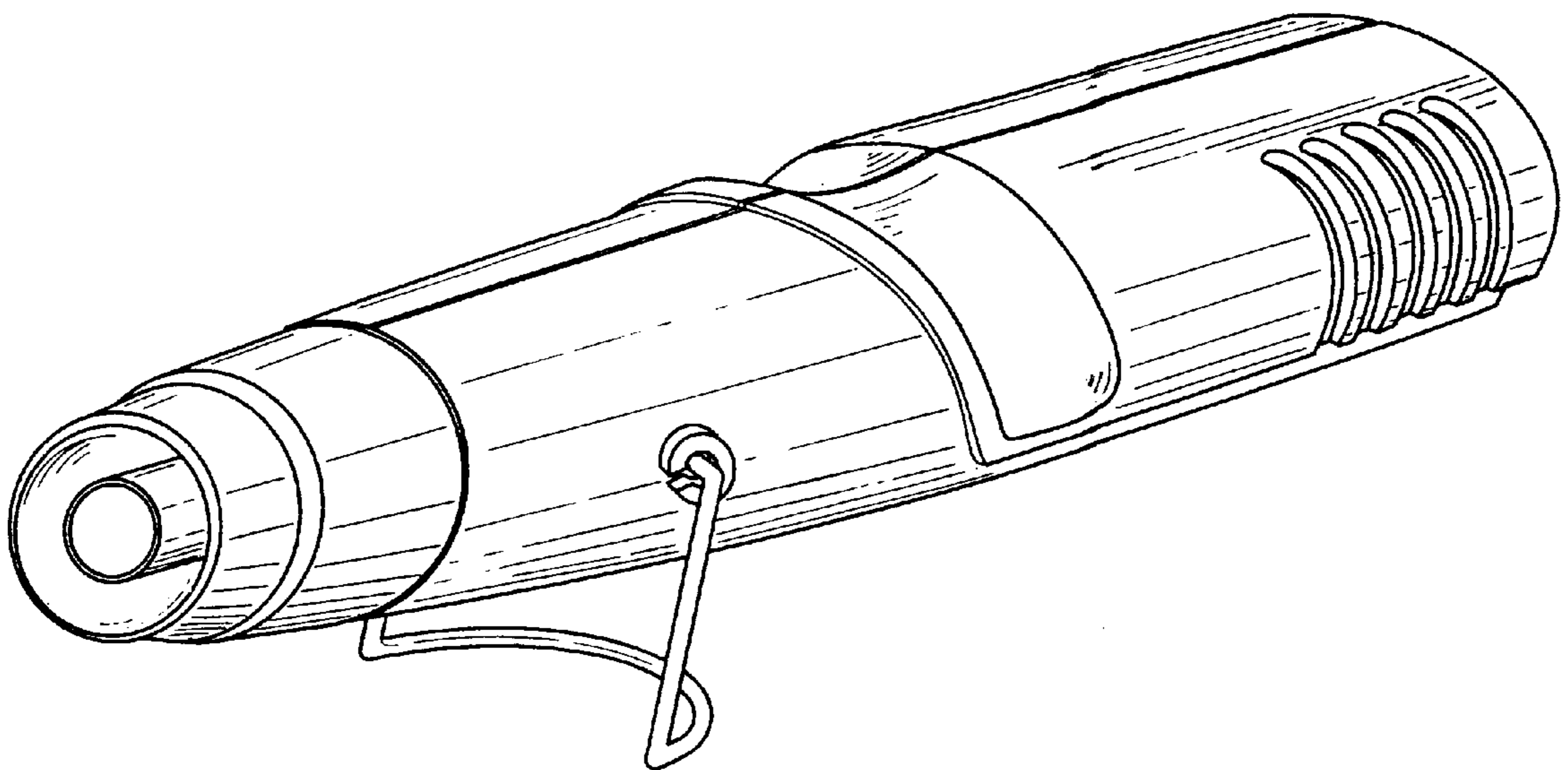


Fig. 8