



US00D458521S

(12) **United States Design Patent**
Stryd et al.

(10) **Patent No.:** **US D458,521 S**

(45) **Date of Patent:** **** Jun. 11, 2002**

(54) **SNOW SLIDER FRAME**

6,202,329 B1 * 3/2001 Supplee et al. 37/285

(76) Inventors: **Jack T. Stryd**, 7907 Bent Tree Rd.,
Kalamazoo, MI (US) 49009; **Thomas**
N. Stryd, 7907 W. "R" Ave.,
Kalamazoo, MI (US) 49009-8938

* cited by examiner

Primary Examiner—Robin V. Taylor
(74) *Attorney, Agent, or Firm*—Flynn, Thiel, Boutell &
Tanis, P.C.

(**) Term: **14 Years**

(57) **CLAIM**

(21) Appl. No.: **29/136,857**

The ornamental designs for a snow slider frame, as shown
and described.

(22) Filed: **Feb. 8, 2001**

DESCRIPTION

(51) **LOC (7) Cl.** **08-01**

(52) **U.S. Cl.** **D8/10**

(58) **Field of Search** D8/1, 10; 294/54.5,
294/53.5, 57, 58, 59; 37/285

FIG. 1 is a top, right, front isometric view of a snow slider
frame embodying our new design;
FIG. 2 is a front view thereof;
FIG. 3 is a right side view thereof, the left side view being
a mirror image thereof;
FIG. 4 is a top view thereof;
FIG. 5 is a bottom view thereof; and,
FIG. 6 is a rear view thereof.

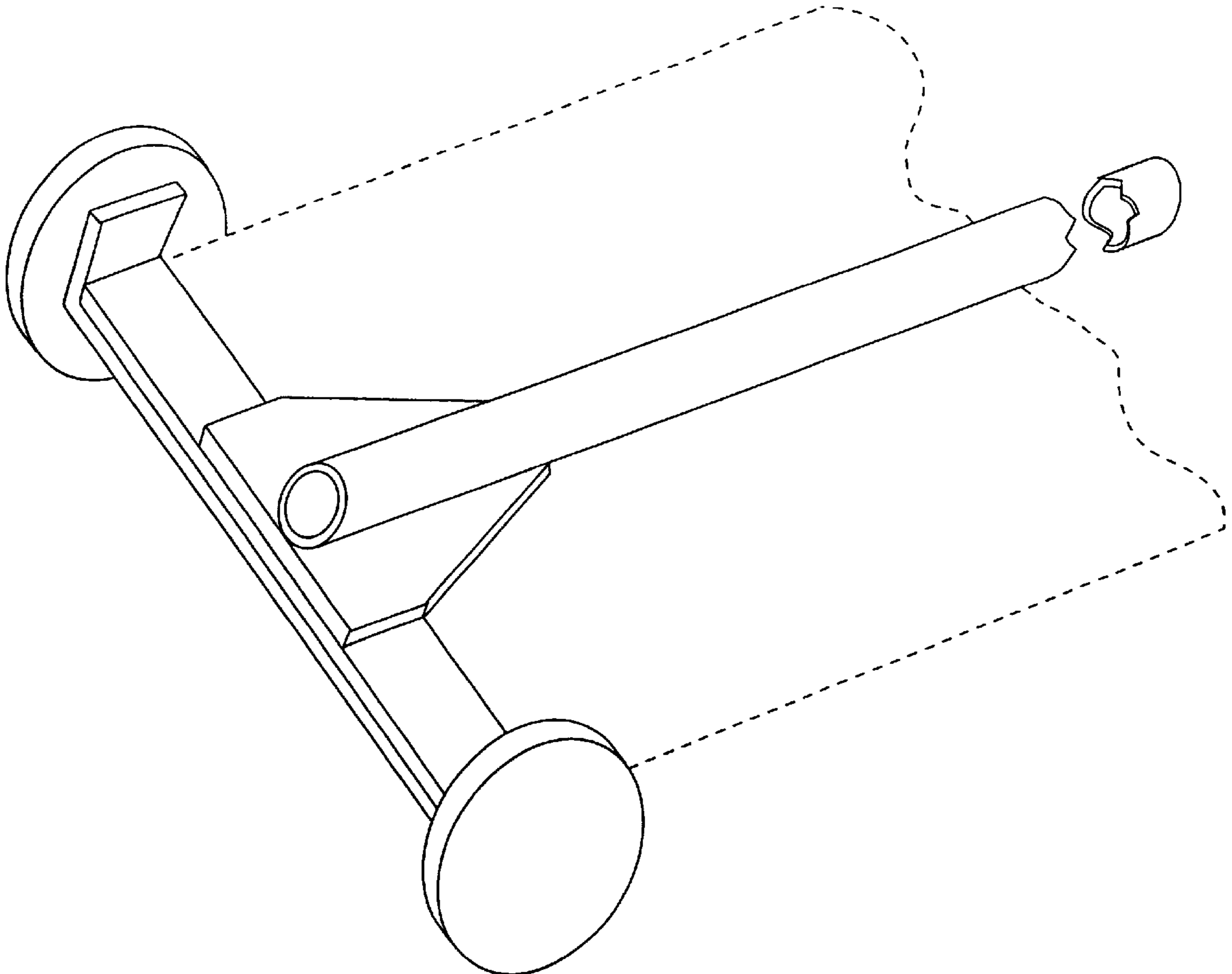
(56) **References Cited**

U.S. PATENT DOCUMENTS

3,998,486	A	*	12/1976	Mittlestadt	294/54
4,125,951	A	*	11/1978	Huerth	294/54
4,253,257	A	*	3/1981	Albert	294/54
D405,664	S		2/1999	Stryd		
5,918,921	A	*	7/1999	Samuelson	294/54.5

The broken line showing is for illustrative purposes only and
forms no part of the claimed design.

1 Claim, 5 Drawing Sheets



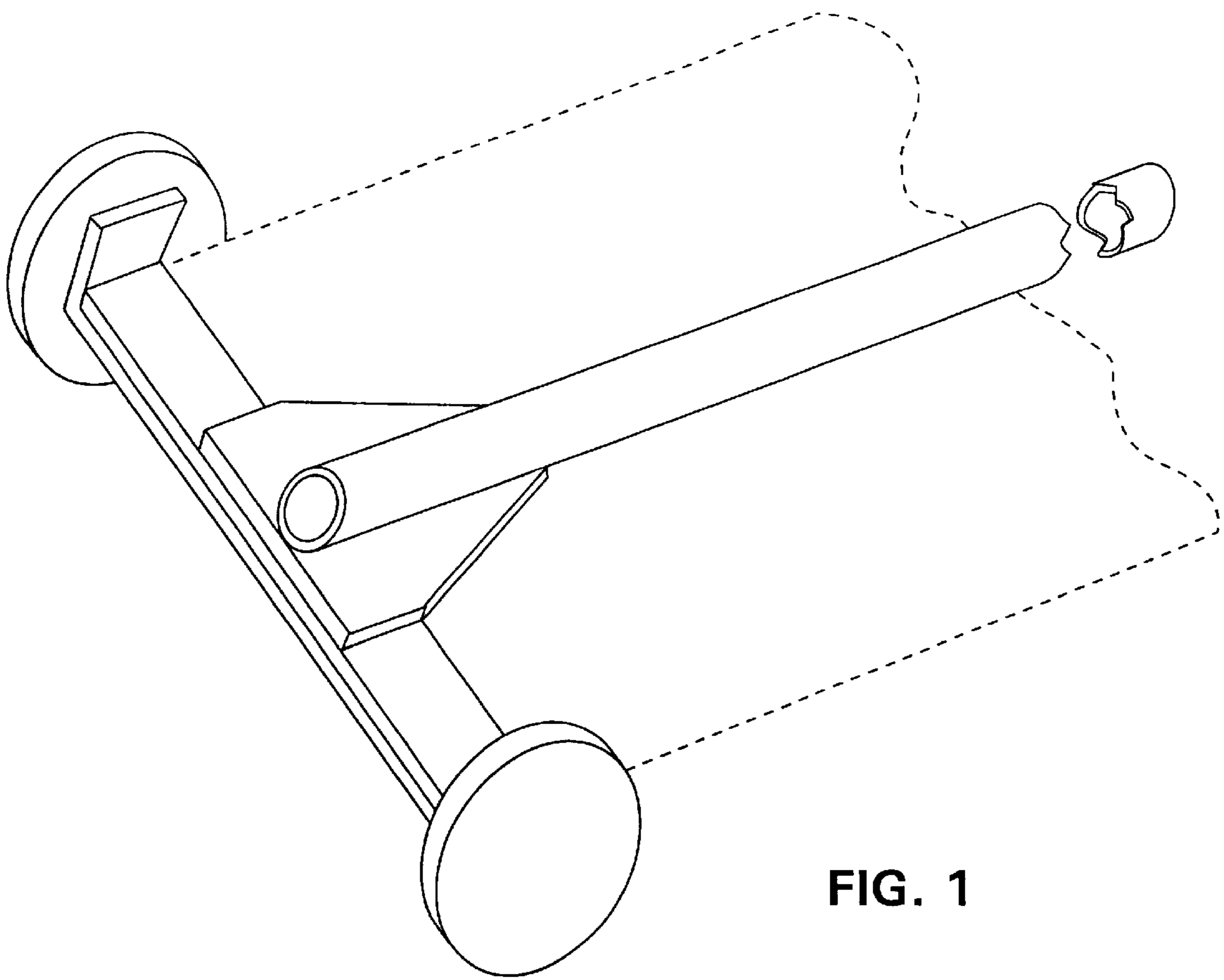


FIG. 1

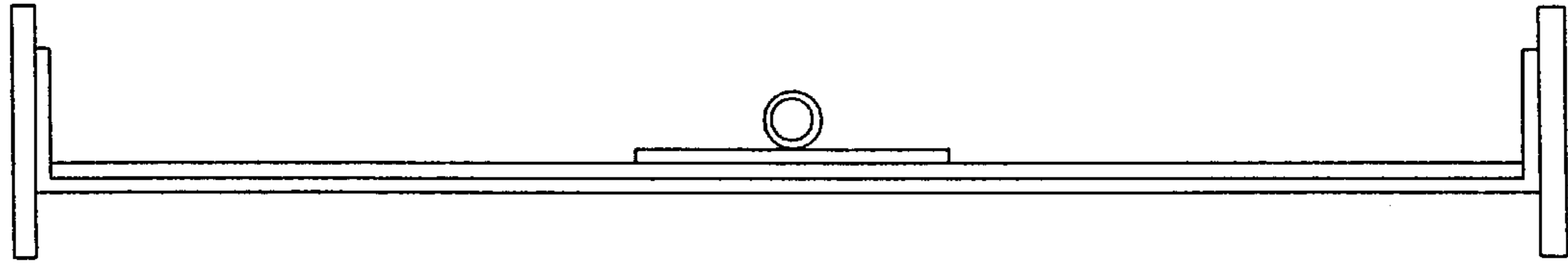


FIG. 2

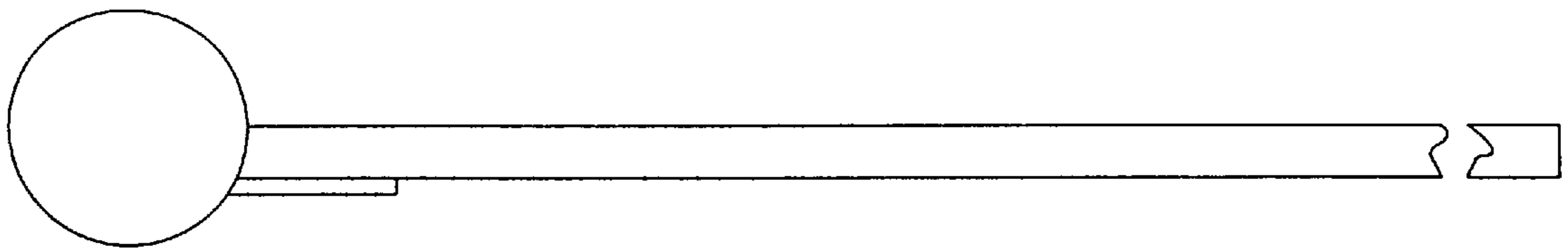


FIG. 3

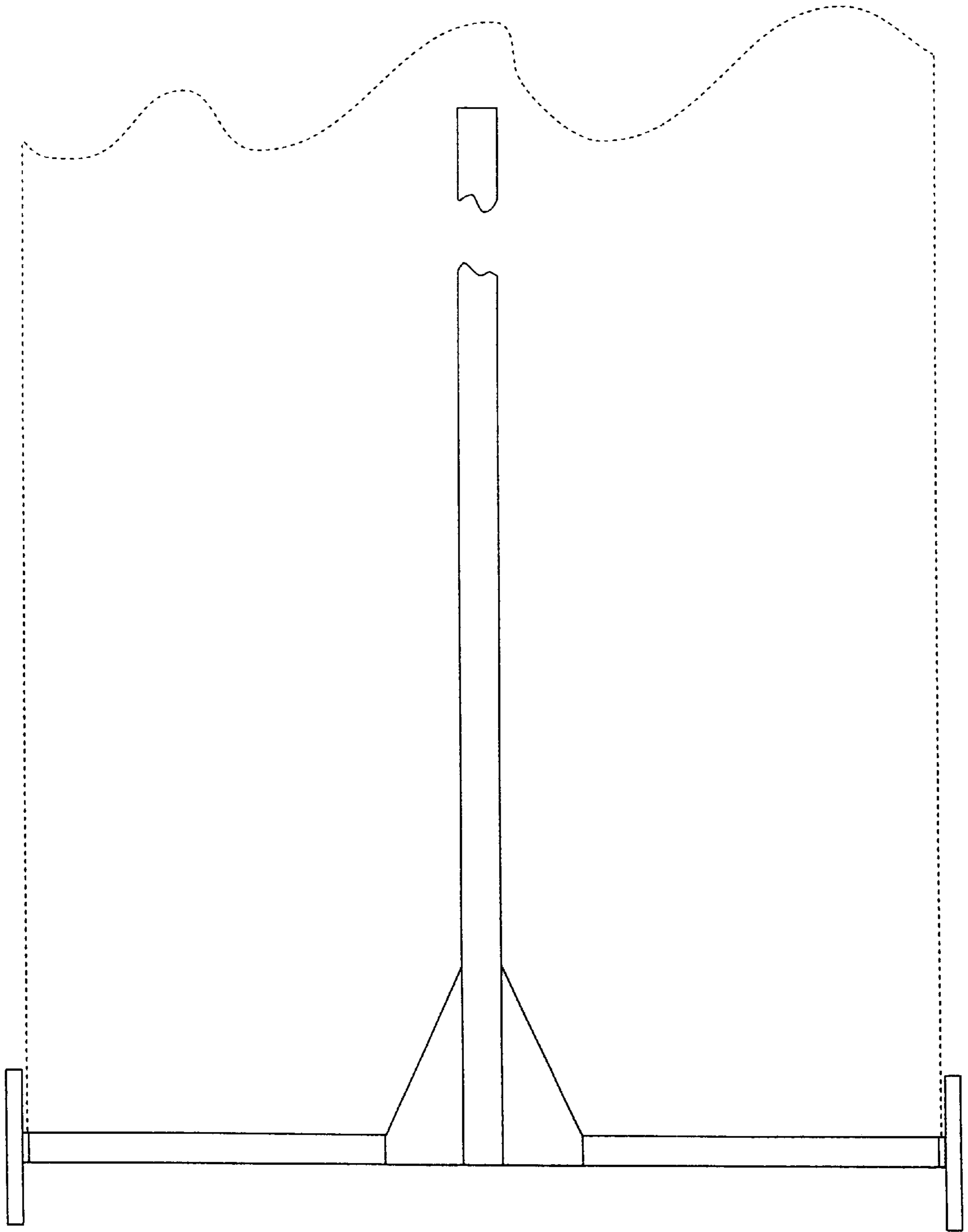


FIG. 4

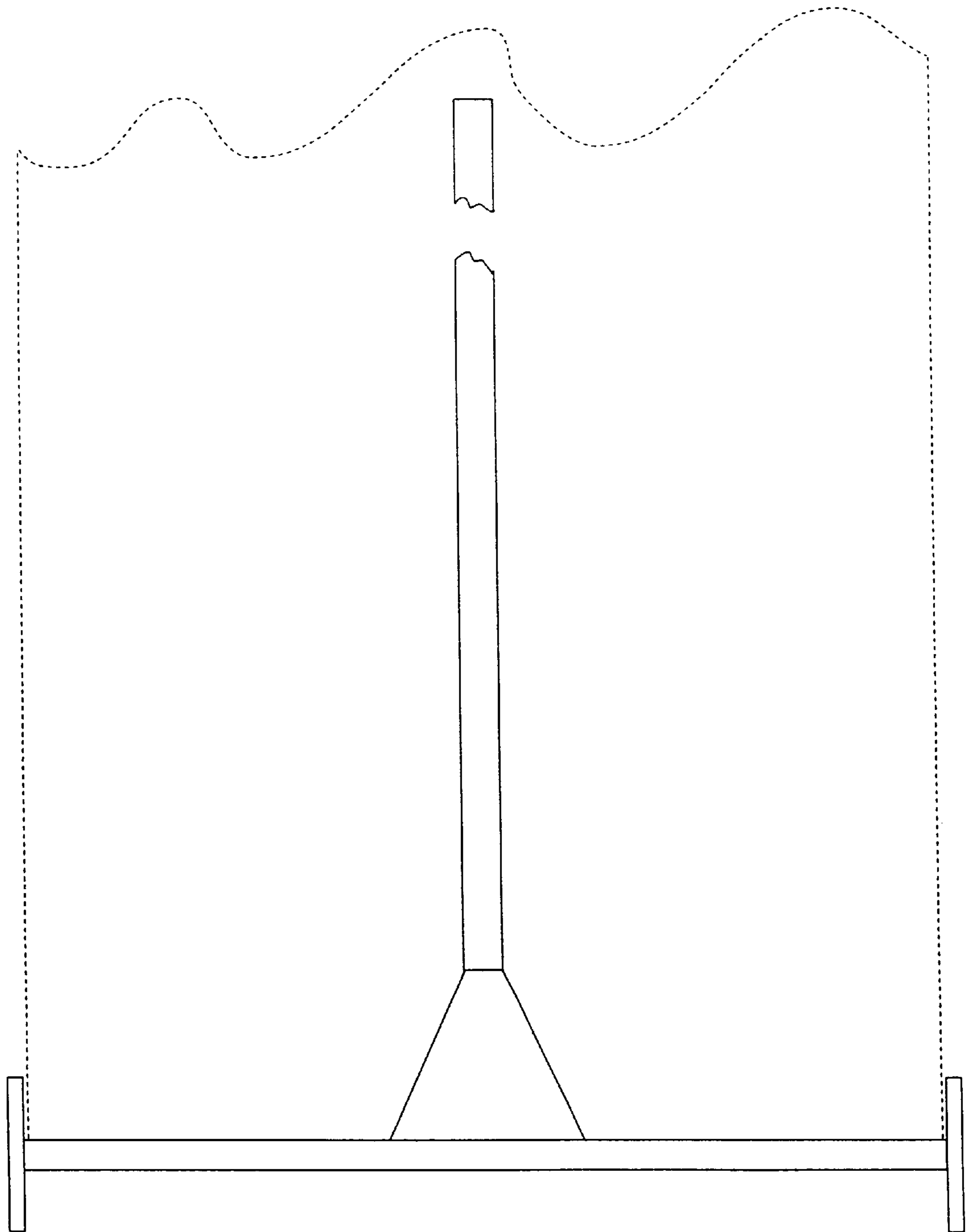


FIG. 5

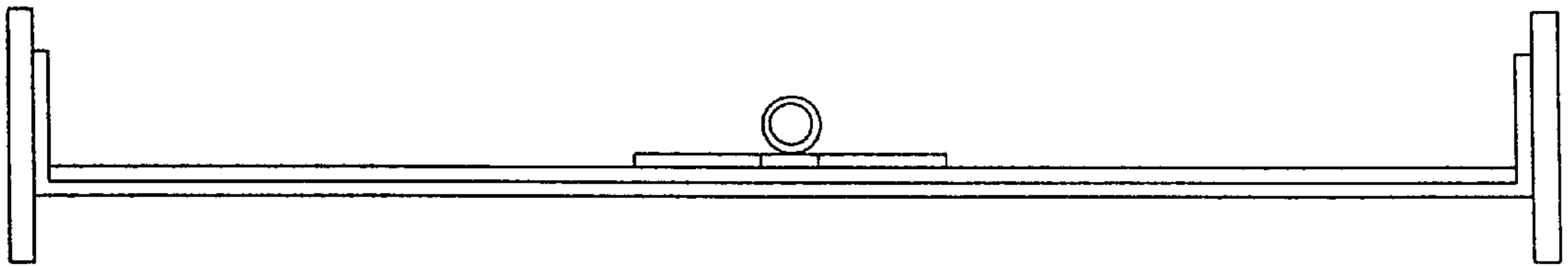


FIG. 6