



US00D458520S

(12) **United States Design Patent**
Rowe et al.

(10) **Patent No.:** **US D458,520 S**

(45) **Date of Patent:** **** Jun. 11, 2002**

(54) **TONGS WITH JOINED SHANK**

D392,849 S * 3/1998 Zeller D7/686

(75) Inventors: **Mike Rowe**, Dayton, OH (US);
Andrew Kahler, Fortson, GA (US);
Alan Cummings, Opelika, AL (US)

* cited by examiner

Primary Examiner—Terry A. Wallace

(74) *Attorney, Agent, or Firm*—James W. Kayden; Thomas, Kayden, Horstemeyer & Risley

(73) Assignee: **W. C. Bradley Company**, Columbus, GA (US)

(57) **CLAIM**

(**) Term: **14 Years**

The ornamental design of tongs with joined shank, as shown and described.

(21) Appl. No.: **29/142,687**

DESCRIPTION

(22) Filed: **May 31, 2001**

FIG. 1 is a perspective view showing our new tongs with joined shank;

(51) **LOC (7) Cl.** **07-06**

FIG. 2 is a front elevational view thereof;

(52) **U.S. Cl.** **D7/686**

FIG. 3 is a rear elevational view thereof;

(58) **Field of Search** D7/686, 687; 294/3, 294/8.5, 11, 16, 99.1, 99.2, 118, 119

FIG. 4 is a right side elevational view thereof, the left side elevational view being a mirror image of that which is shown; and,

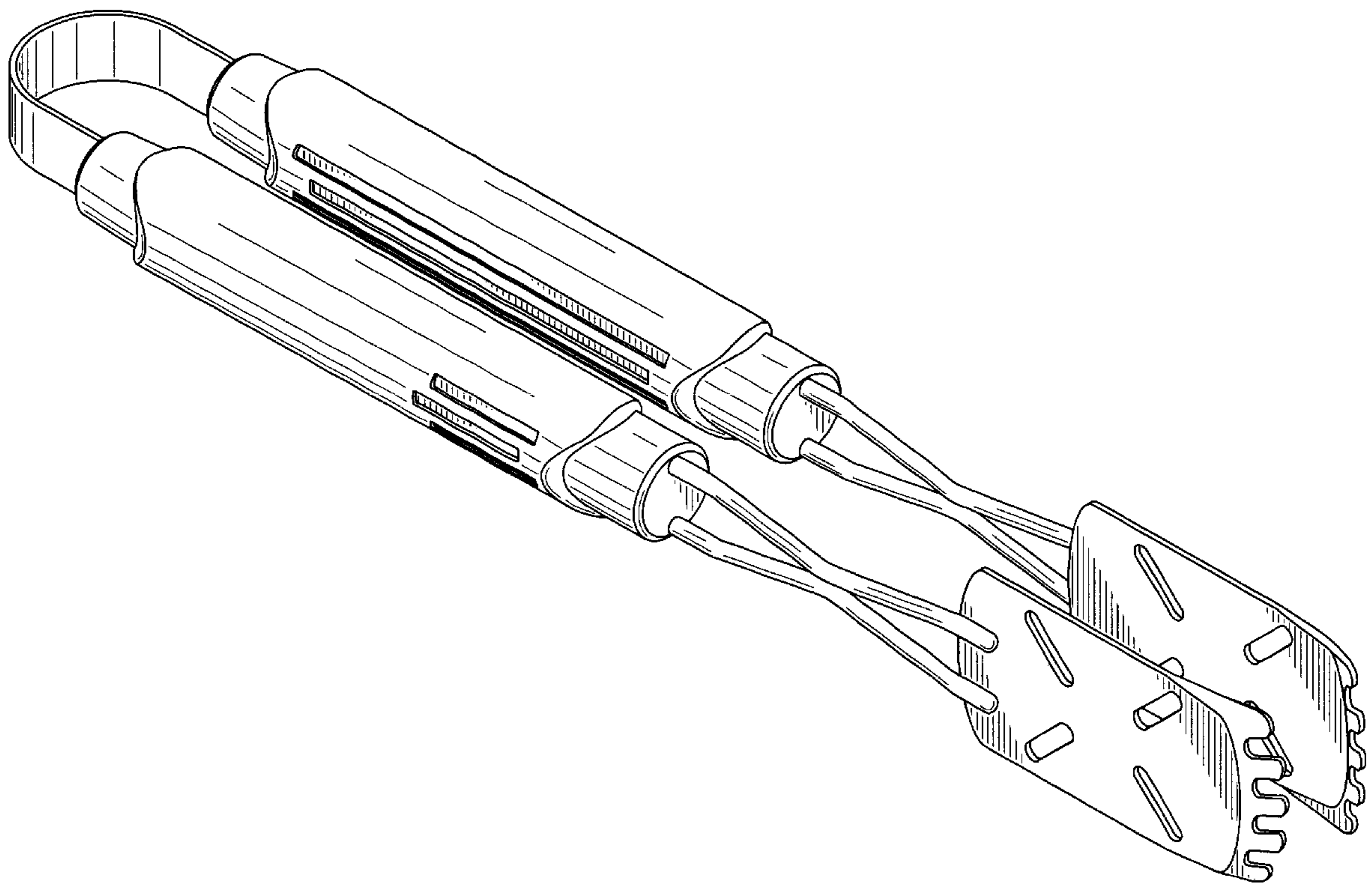
(56) **References Cited**

FIG. 5 is a top plan view thereof, the bottom plan view thereof being a mirror image of that which is shown.

U.S. PATENT DOCUMENTS

D313,537 S * 1/1991 Chisholm D7/686

1 Claim, 2 Drawing Sheets



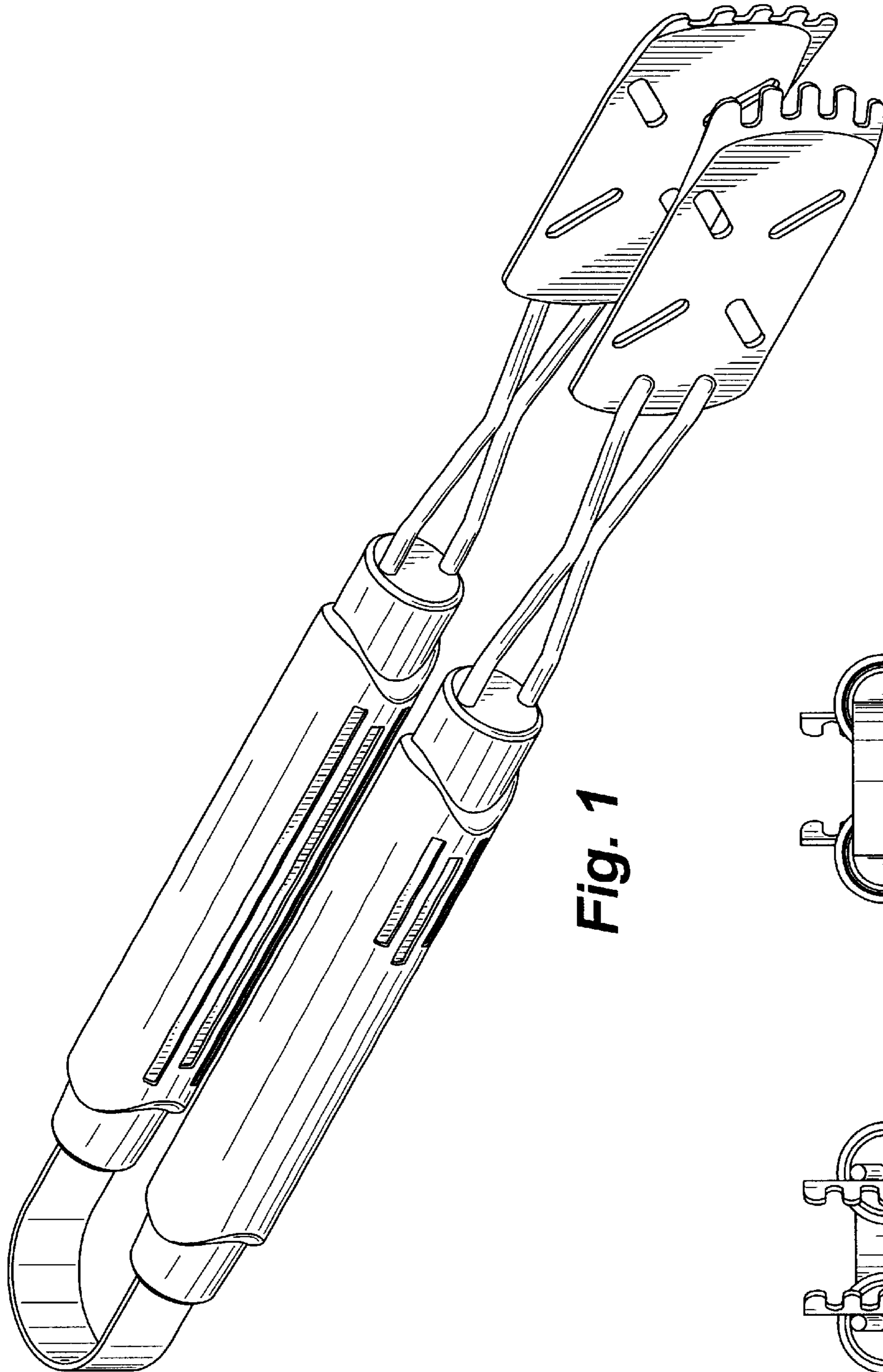


Fig. 1

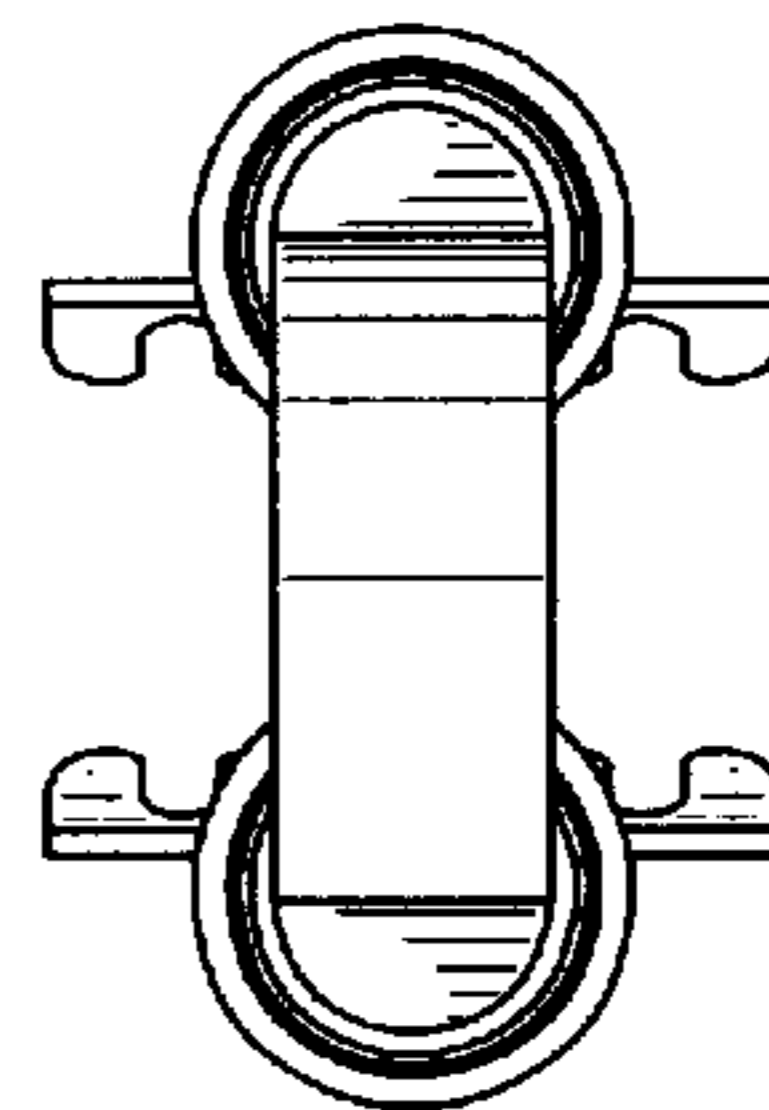


Fig. 3

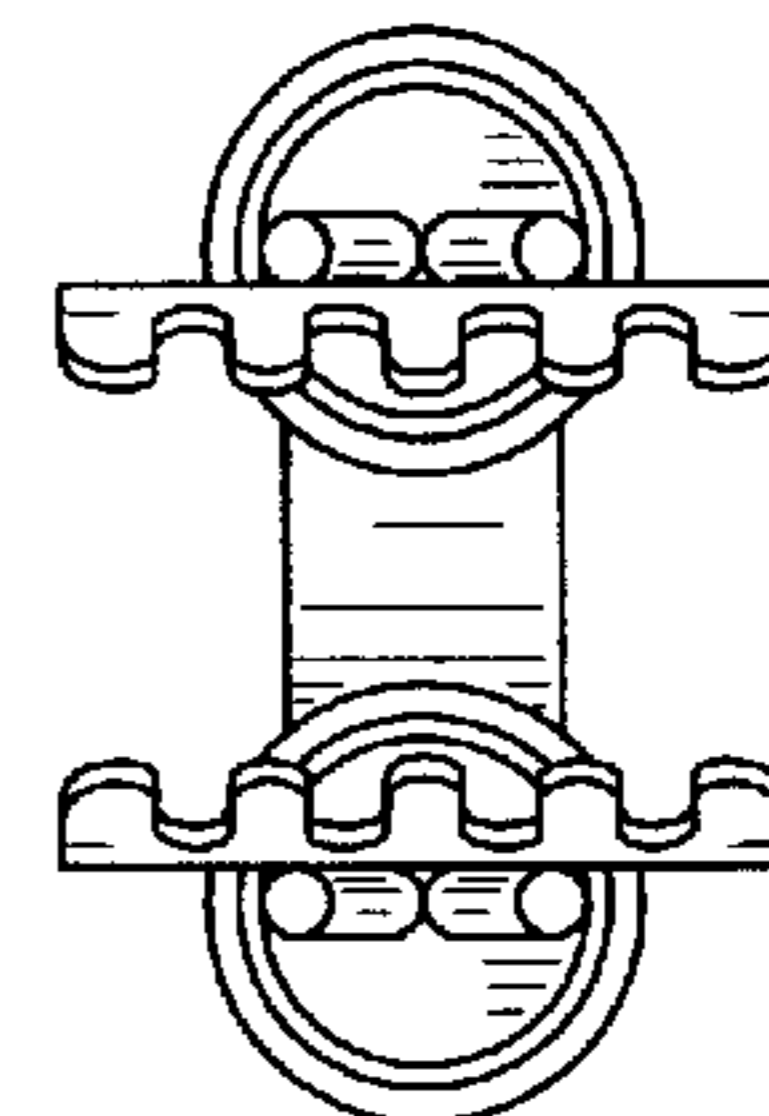


Fig. 2

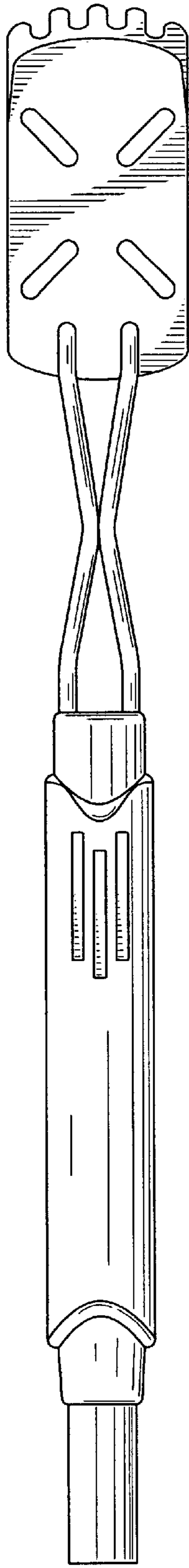


Fig. 4

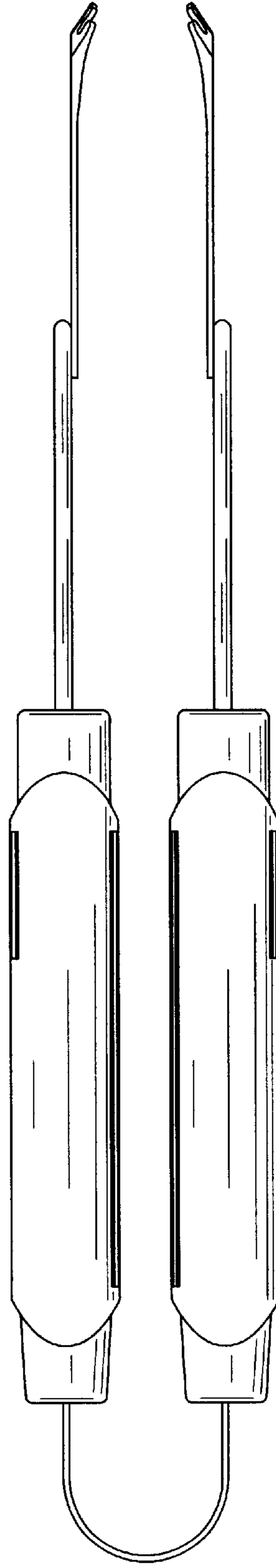


Fig. 5