



US00D458519S

(12) **United States Design Patent**
Tse

(10) **Patent No.:** **US D458,519 S**

(45) **Date of Patent:** **** Jun. 11, 2002**

(54) **CHEESE SLICER**

2,562,842 A * 7/1951 Cushman 30/116
2,869,230 A * 1/1959 Uebel 30/116

(75) Inventor: **Kwok Kay Tse**, Kowloon (CN)

* cited by examiner

(73) Assignee: **ISIS Technology Limited**, Kowloon (CN)

Primary Examiner—Terry A. Wallace

(74) *Attorney, Agent, or Firm*—Alix, Yale & Ristas, LLP

(**) Term: **14 Years**

(57) **CLAIM**

(21) Appl. No.: **29/138,792**

The ornamental design for a cheese slicer, as shown and described.

(22) Filed: **Mar. 20, 2001**

(51) **LOC (7) Cl.** **07-04**

(52) **U.S. Cl.** **D7/673; D7/695**

(58) **Field of Search** D7/672, 673, 692-695;
30/116, 115, 278, 280, 282, 279.6

DESCRIPTION

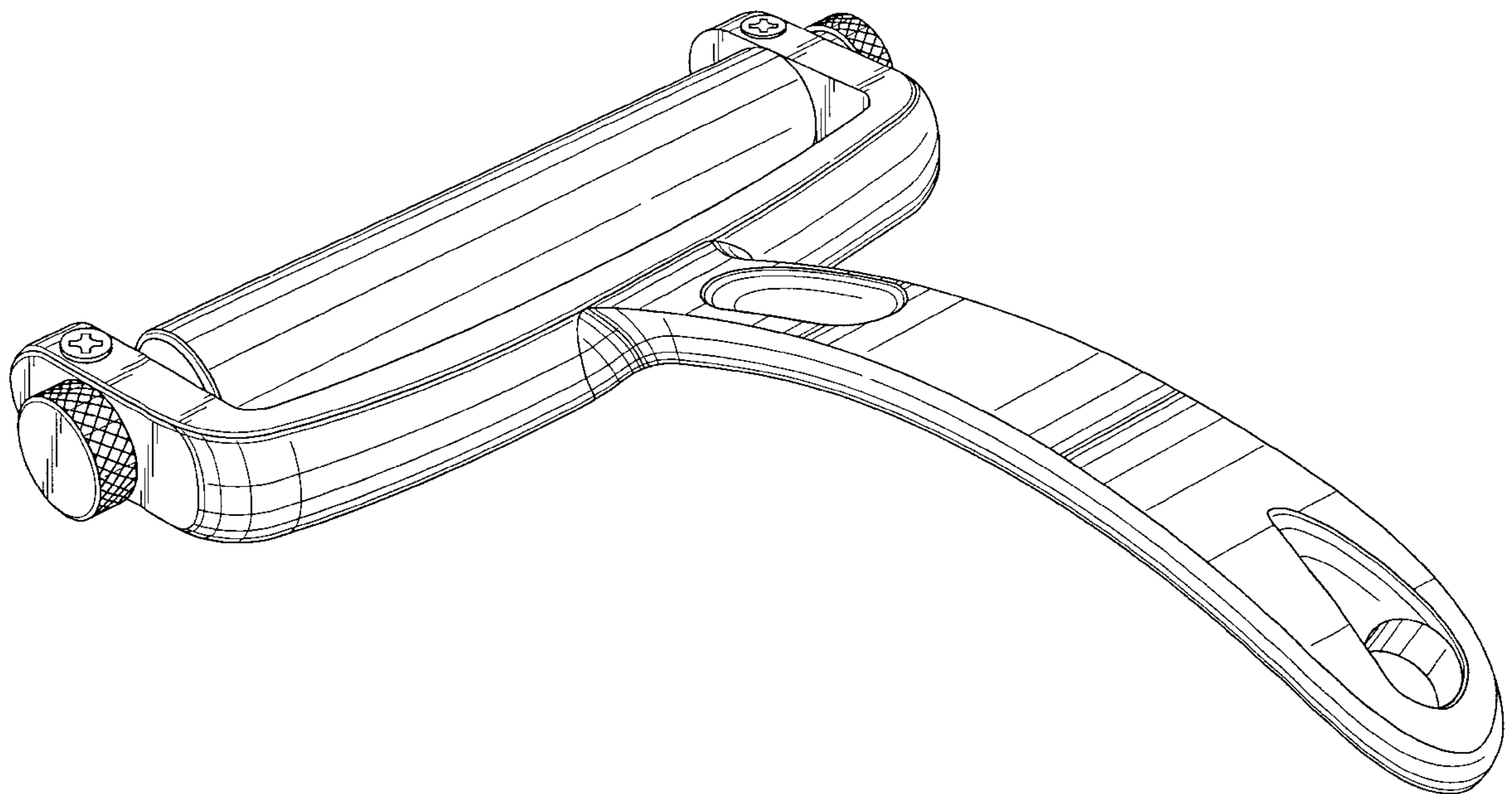
FIG. 1 is a front perspective view of the cheese slicer showing my new design;
FIG. 2 is a front view of the cheese slicer of FIG. 1;
FIG. 3 is a top plan view of the cheese slicer of FIG. 1;
FIG. 4 is a left side view of the cheese slicer of FIG. 1;
FIG. 5 is a right side view of the cheese slicer of FIG. 1;
FIG. 6 is a rear view of the cheese slicer of FIG. 1; and,
FIG. 7 is a bottom plan view of the cheese slicer of FIG. 1.

(56) **References Cited**

U.S. PATENT DOCUMENTS

2,093,867 A * 9/1937 Fitzgerald 30/116
D114,672 S * 5/1939 Coughlin D7/695
2,475,824 A * 7/1949 Devine 30/116

1 Claim, 4 Drawing Sheets



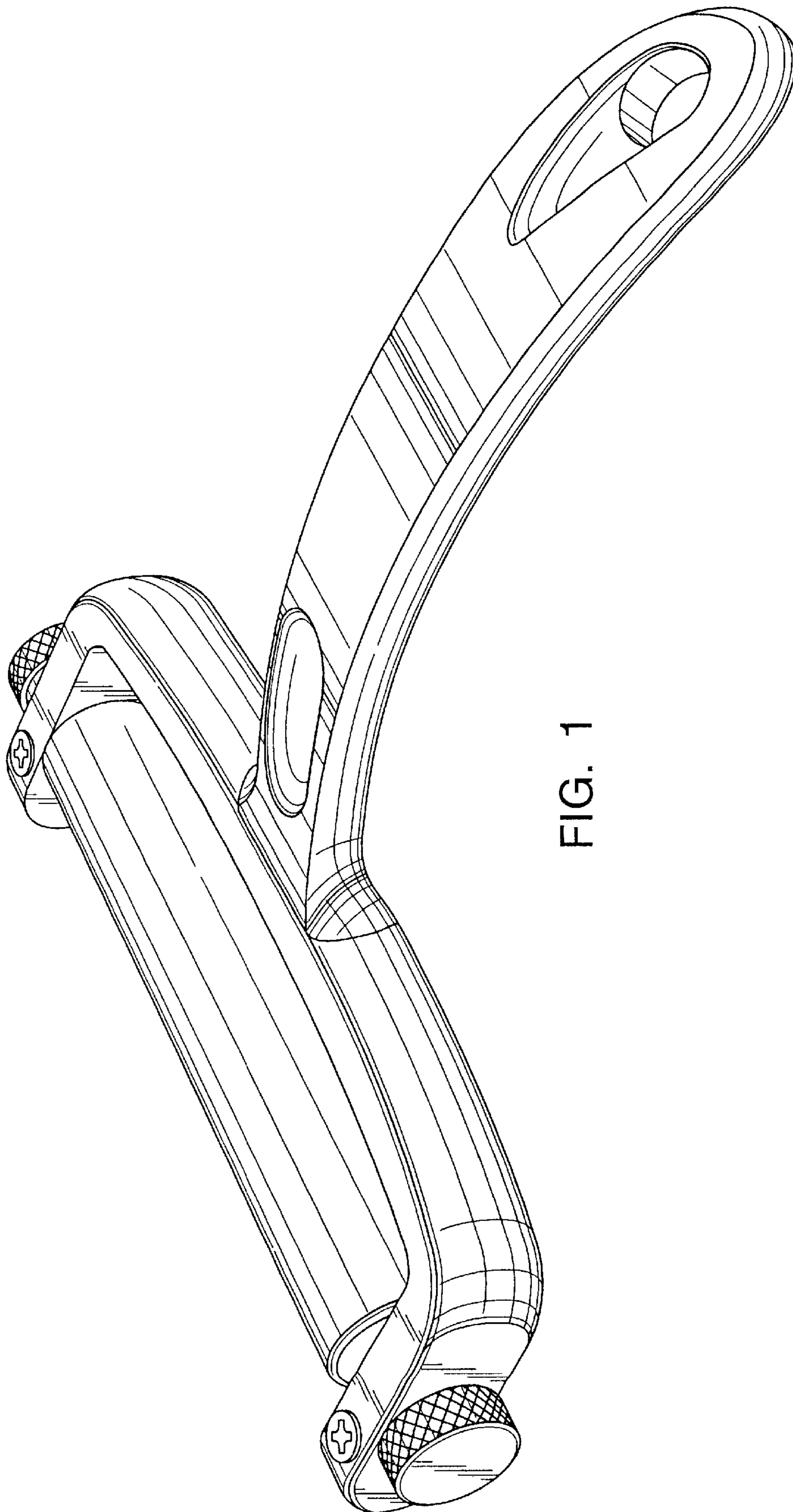


FIG. 1

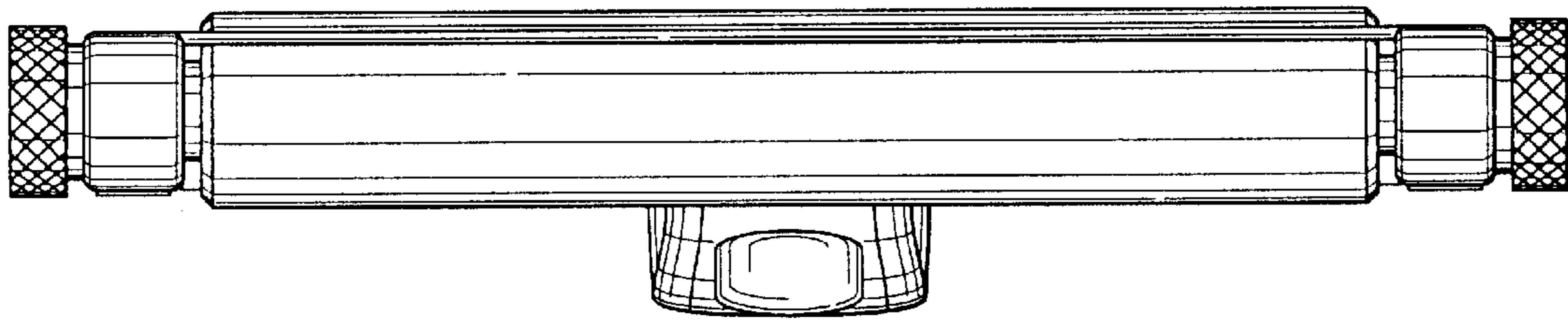


FIG. 3

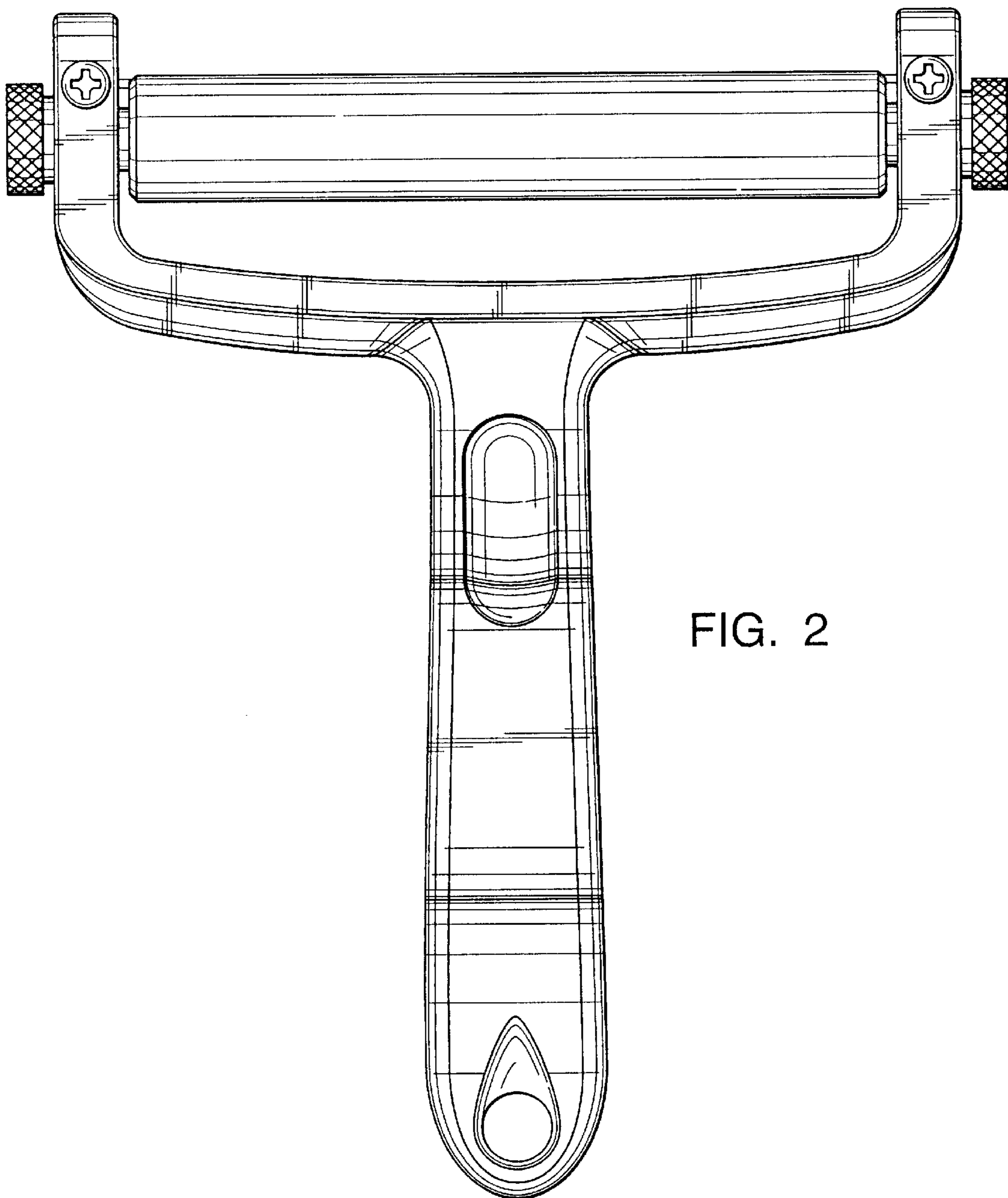


FIG. 2

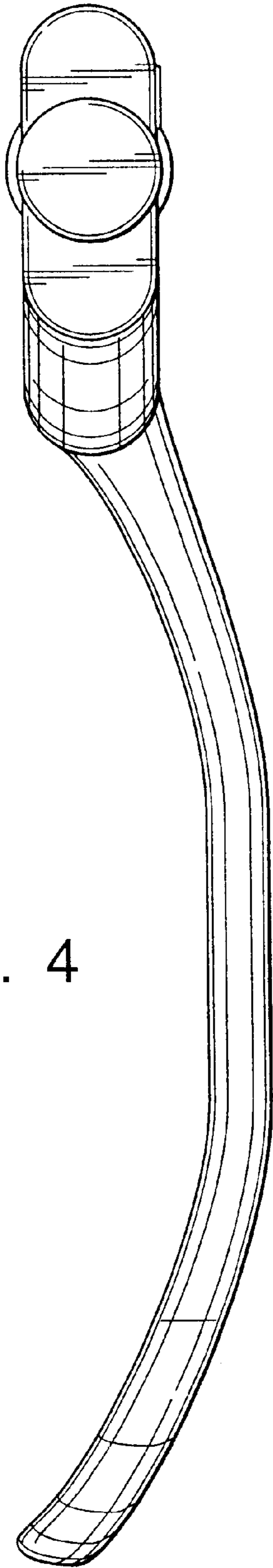


FIG. 4

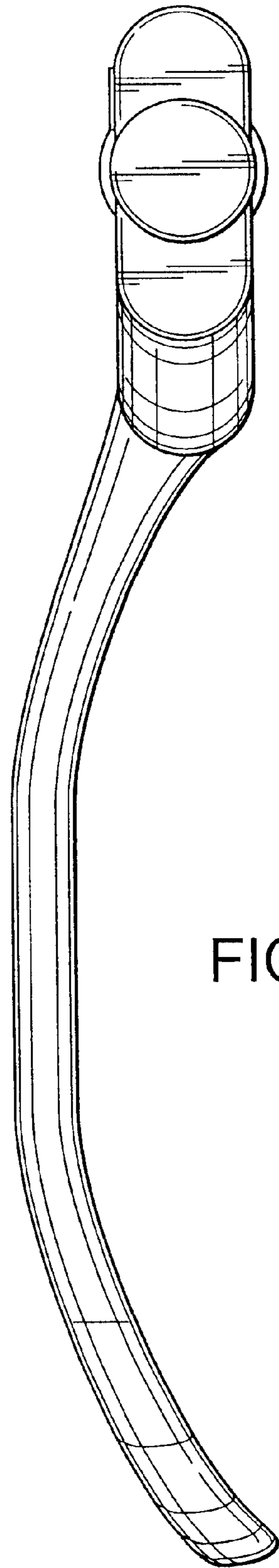


FIG. 5

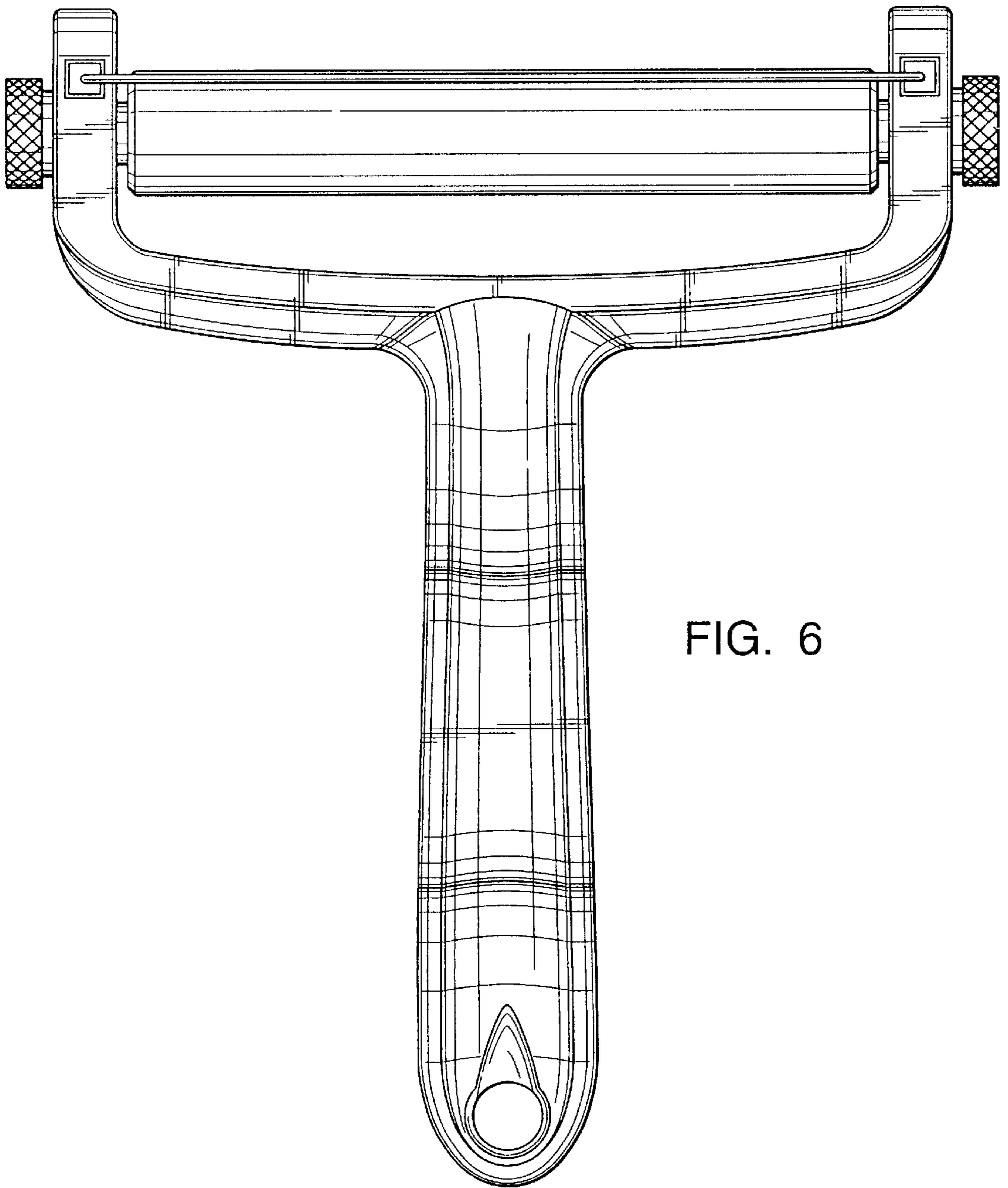


FIG. 6

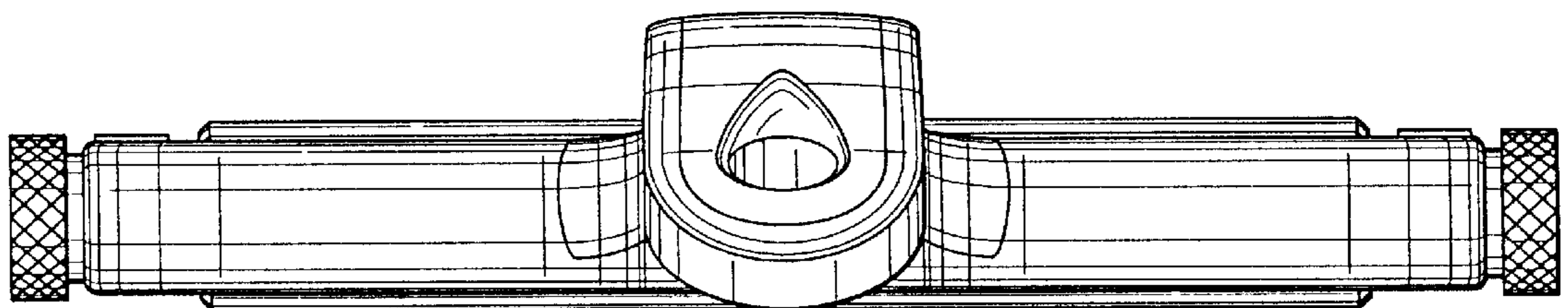


FIG. 7