



US00D458518S

(12) **United States Design Patent**  
**Zarlengo**

(10) **Patent No.:** **US D458,518 S**

(45) **Date of Patent:** **\*\* Jun. 11, 2002**

(54) **MANUALLY OPERATED, MULTI-FUNCTION  
FOOD PROCESSING, PREPARATION AND  
JUICING UNIT**

(75) Inventor: **Vincent Zarlengo**, Shadow Hills, CA  
(US)

(73) Assignee: **Thane International, Inc.**, La Quinta,  
CA (US)

(\*\*) Term: **14 Years**

(21) Appl. No.: **29/140,170**

(22) Filed: **Apr. 12, 2001**

(51) **LOC (7) Cl.** ..... **07-04**

(52) **U.S. Cl.** ..... **D7/666**

(58) **Field of Search** ..... D7/665, 666; 100/110,  
100/125, 131-135, 213, 283; 99/495, 501-508

(56) **References Cited**

**U.S. PATENT DOCUMENTS**

D112,652 S \* 12/1938 Cecil ..... D7/666  
D304,140 S \* 10/1989 Li ..... D7/666

D370,837 S \* 6/1996 Lee ..... D7/666

\* cited by examiner

*Primary Examiner*—Terry A. Wallace

(74) *Attorney, Agent, or Firm*—Kelly Bauersfeld Lowry &  
Kelley, LLP

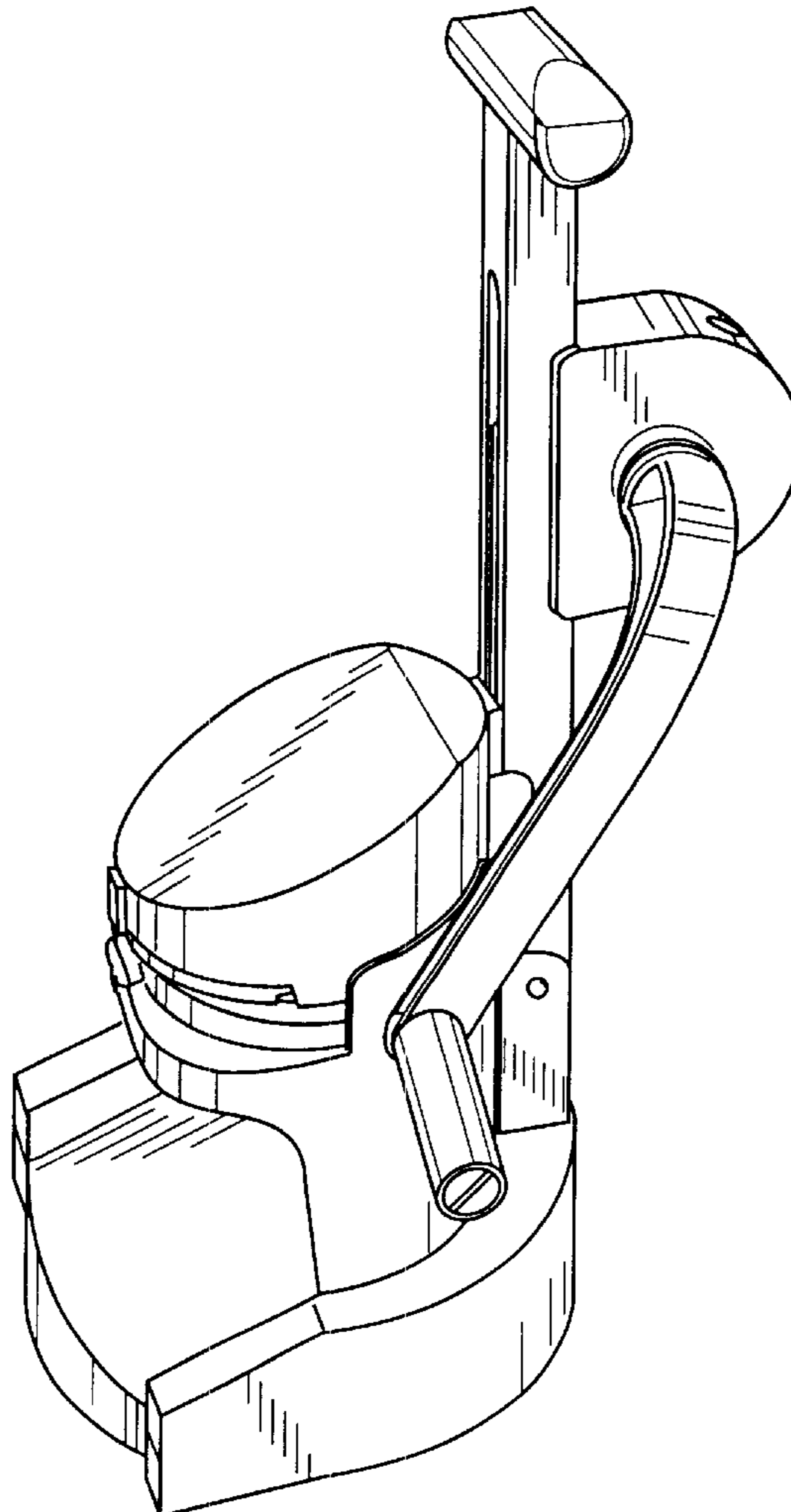
(57) **CLAIM**

The ornamental design for a manually operated, multi-  
function food processing, preparation and juicing unit, as  
shown.

**DESCRIPTION**

FIG. 1 is a front, top and left-side perspective view of a  
manually operated, multi-function food processing, prepa-  
ration and juicing unit embodying my new design;  
FIG. 2 is a front elevational view thereof;  
FIG. 3 is a rear elevational view thereof;  
FIG. 4 is a left-side elevational view thereof;  
FIG. 5 is a right-side elevational view thereof;  
FIG. 6 is a top plan view thereof; and,  
FIG. 7 is a bottom plan view thereof.

**1 Claim, 4 Drawing Sheets**



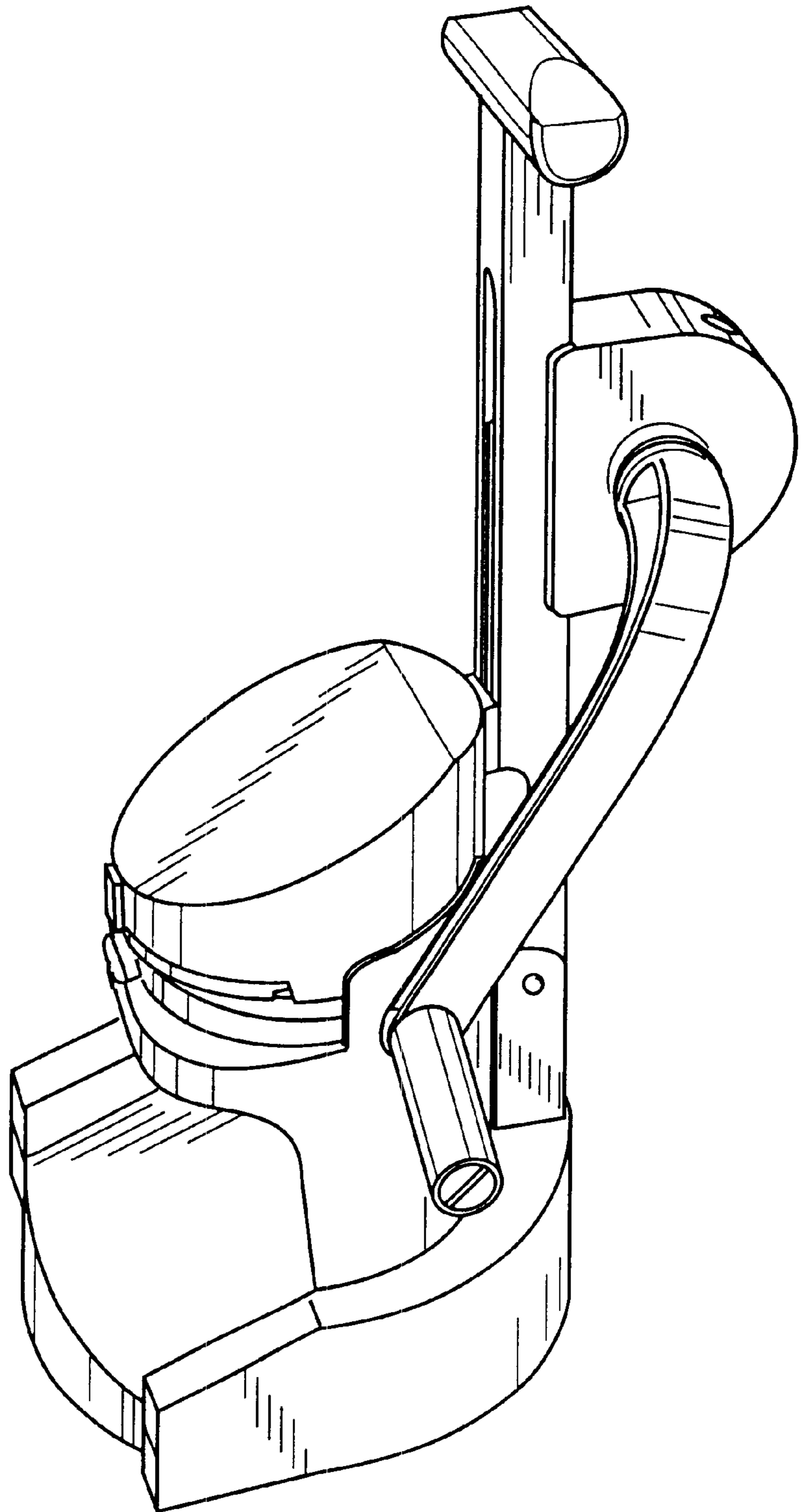


FIG. 1

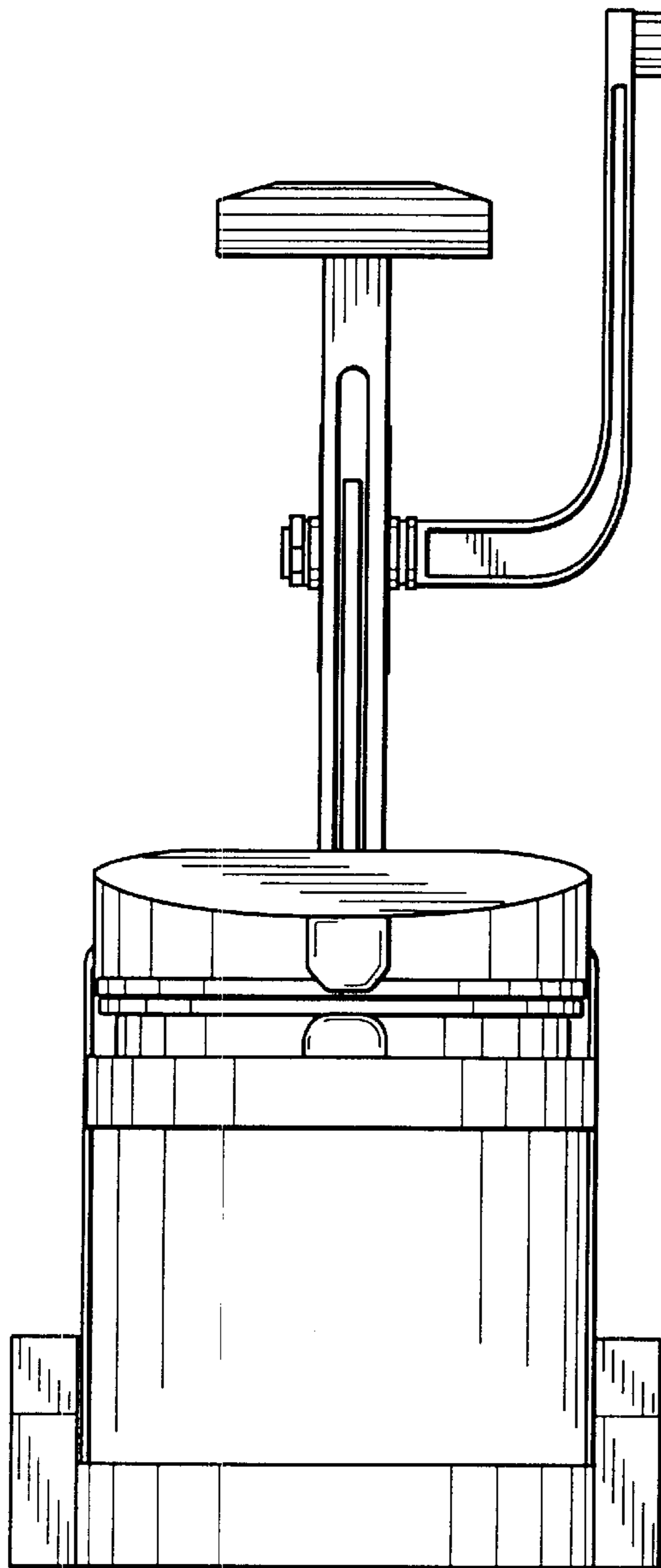
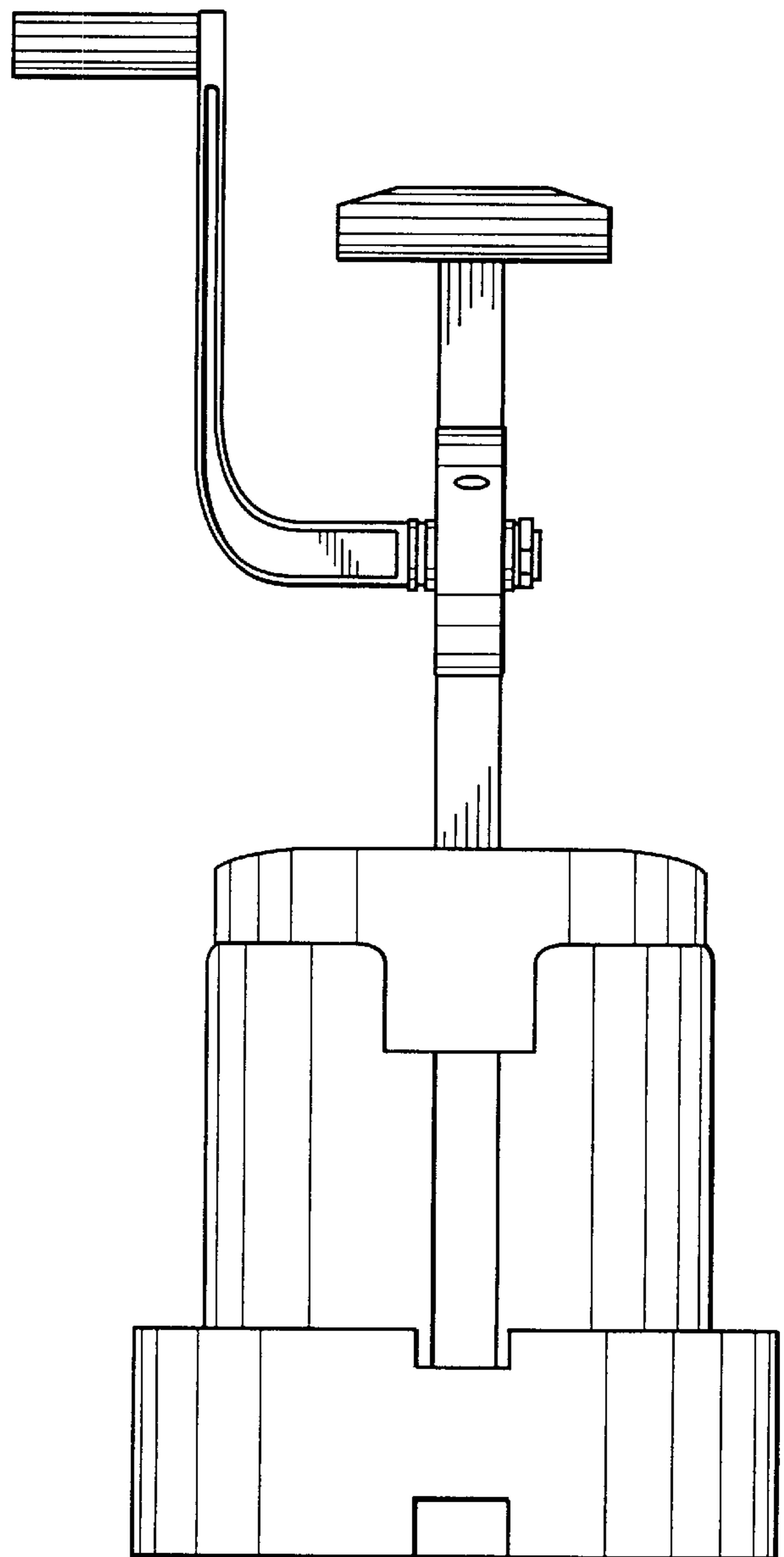
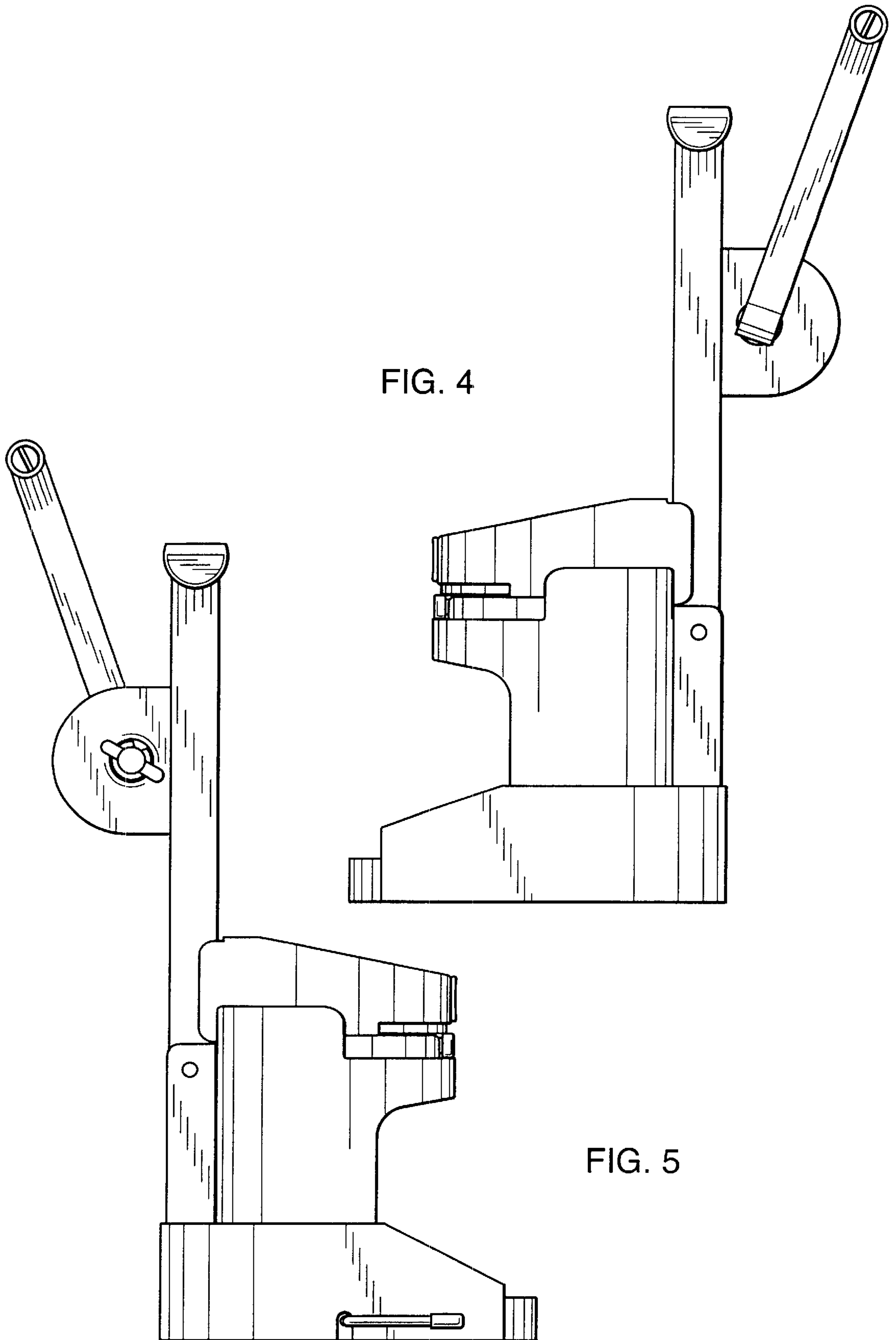


FIG. 3

FIG. 2





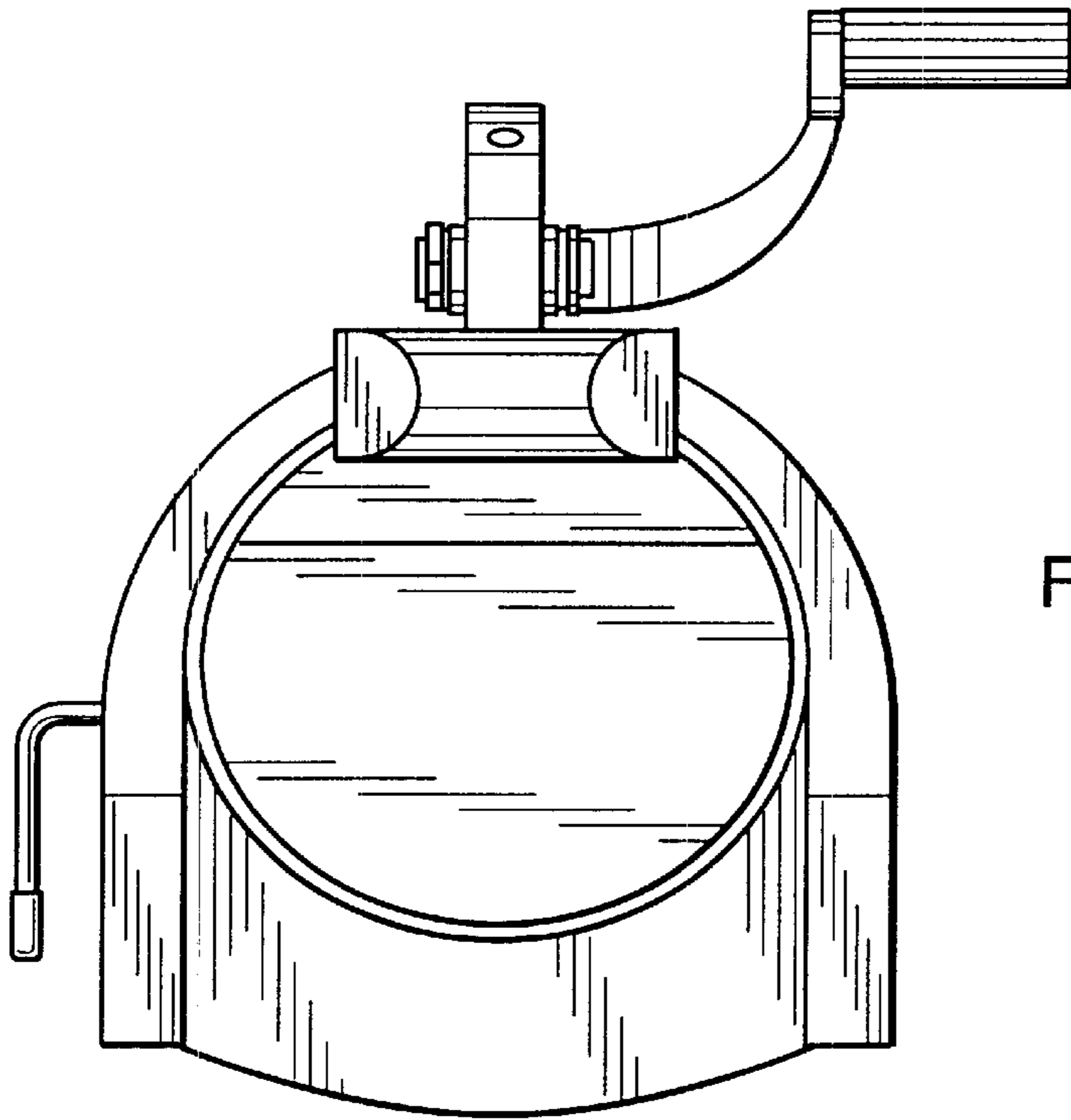


FIG. 6

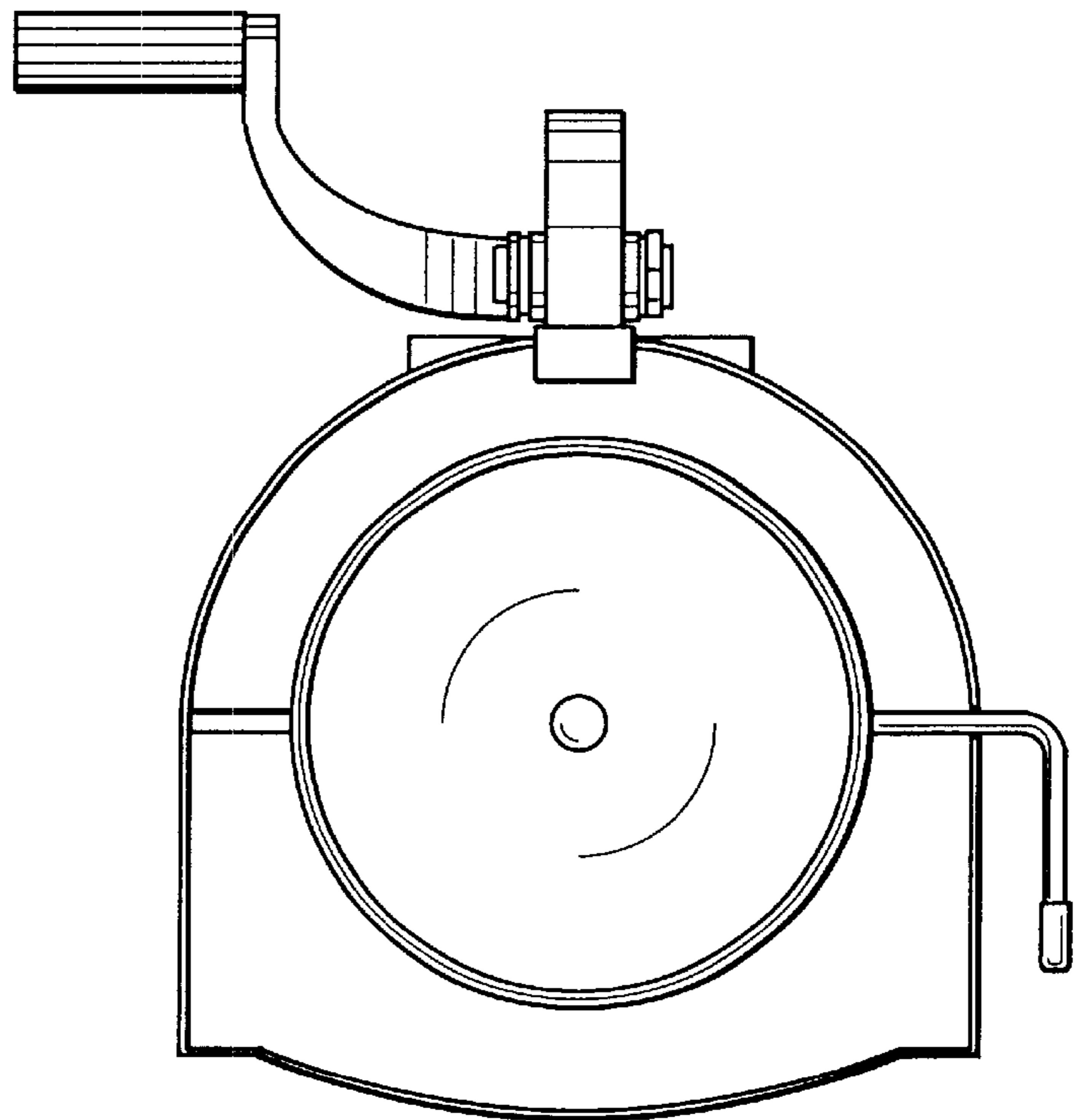


FIG. 7