



US00D458514S

(12) **United States Design Patent**
Dorion

(10) **Patent No.:** **US D458,514 S**

(45) **Date of Patent:** **** Jun. 11, 2002**

(54) **SEE-THROUGH COOKING OIL CAN**

(75) Inventor: **Christopher Dorion**, Elmhurst, IL (US)

(73) Assignee: **Amco Houseworks, LLC**, Vernon Hills, IL (US)

(**) Term: **14 Years**

(21) Appl. No.: **29/140,166**

(22) Filed: **Apr. 12, 2001**

(51) **LOC (7) Cl.** **07-06**

(52) **U.S. Cl.** **D7/600**

(58) **Field of Search** D10/46.2; D7/590,
D7/598, 600, 312, 316, 317, 318, 321;
222/173, 460, 465.1, 475.1

(56) **References Cited**

U.S. PATENT DOCUMENTS

- D258,712 S * 3/1981 Jacobson D7/598
- D291,645 S * 9/1987 Bruno D7/600 X
- D331,861 S * 12/1992 Minuti D7/598
- D367,201 S * 2/1996 Joergensen D7/318 X

OTHER PUBLICATIONS

Chef's Catalog, Mar. 1998, p. 66, olive oil can, #5331, middle of page.*

* cited by examiner

Primary Examiner—Terry A. Wallace

(74) *Attorney, Agent, or Firm*—Michael Best & Friedrich LLC

(57) **CLAIM**

The ornamental design for a see-through cooking oil can, as shown and described.

DESCRIPTION

FIG. 1 is a perspective view of the oil can showing the viewing window and the top open;

FIG. 2 is a top plan view of the oil can showing the top open;

FIG. 3 is a side elevation view of the oil can showing the viewing window and the top open;

FIG. 4 is a bottom plan view of the oil can showing the top open;

FIG. 5 is a front elevation view of the oil can showing the top open;

FIG. 6 is a rear elevation view of the oil can showing the top open;

FIG. 7 is perspective view showing the side of the oil can opposite the side containing the viewing window and the top closed; and,

FIG. 8 is a top plan view of the oil can showing the top closed.

1 Claim, 2 Drawing Sheets

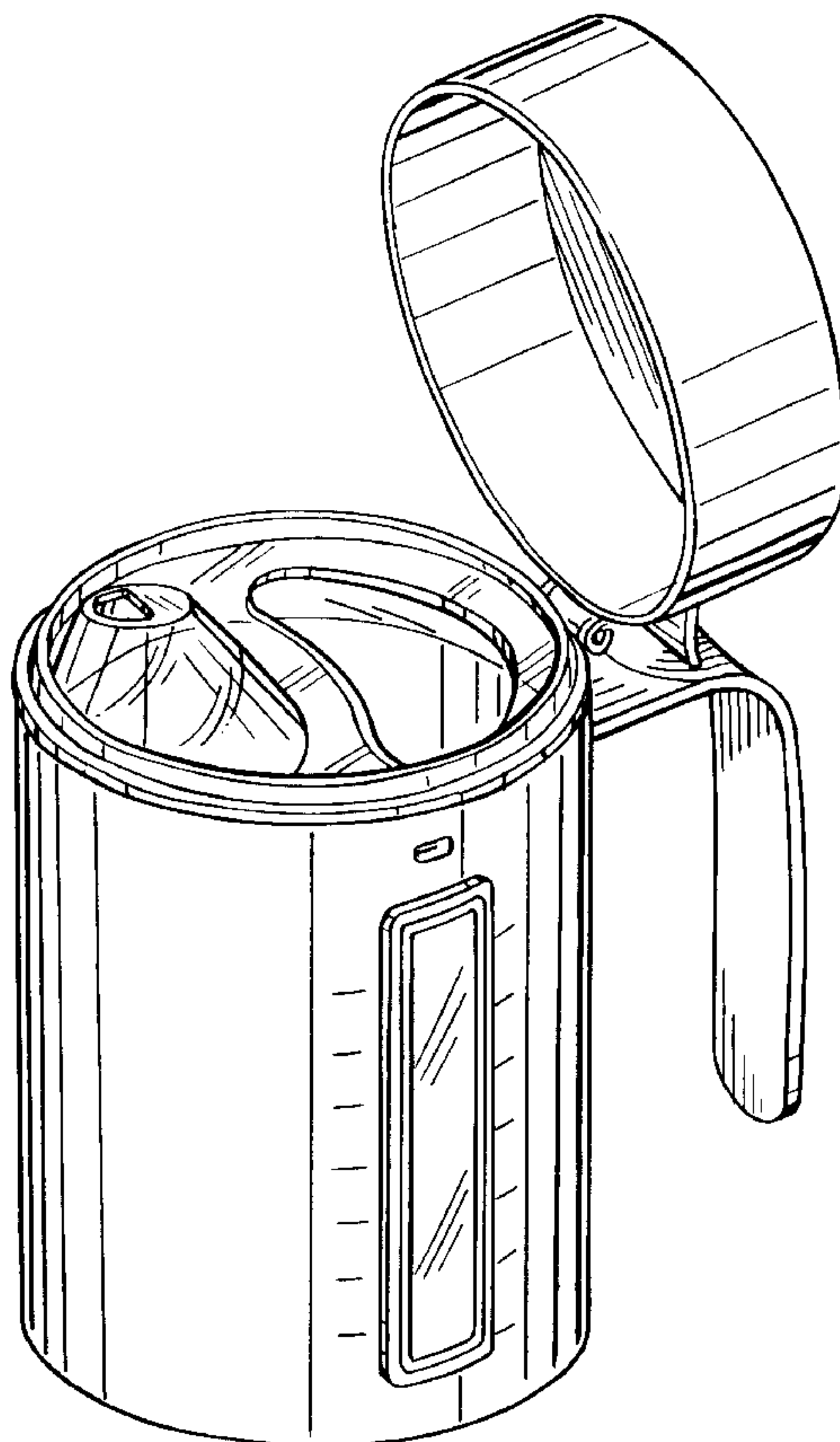


FIG. 1

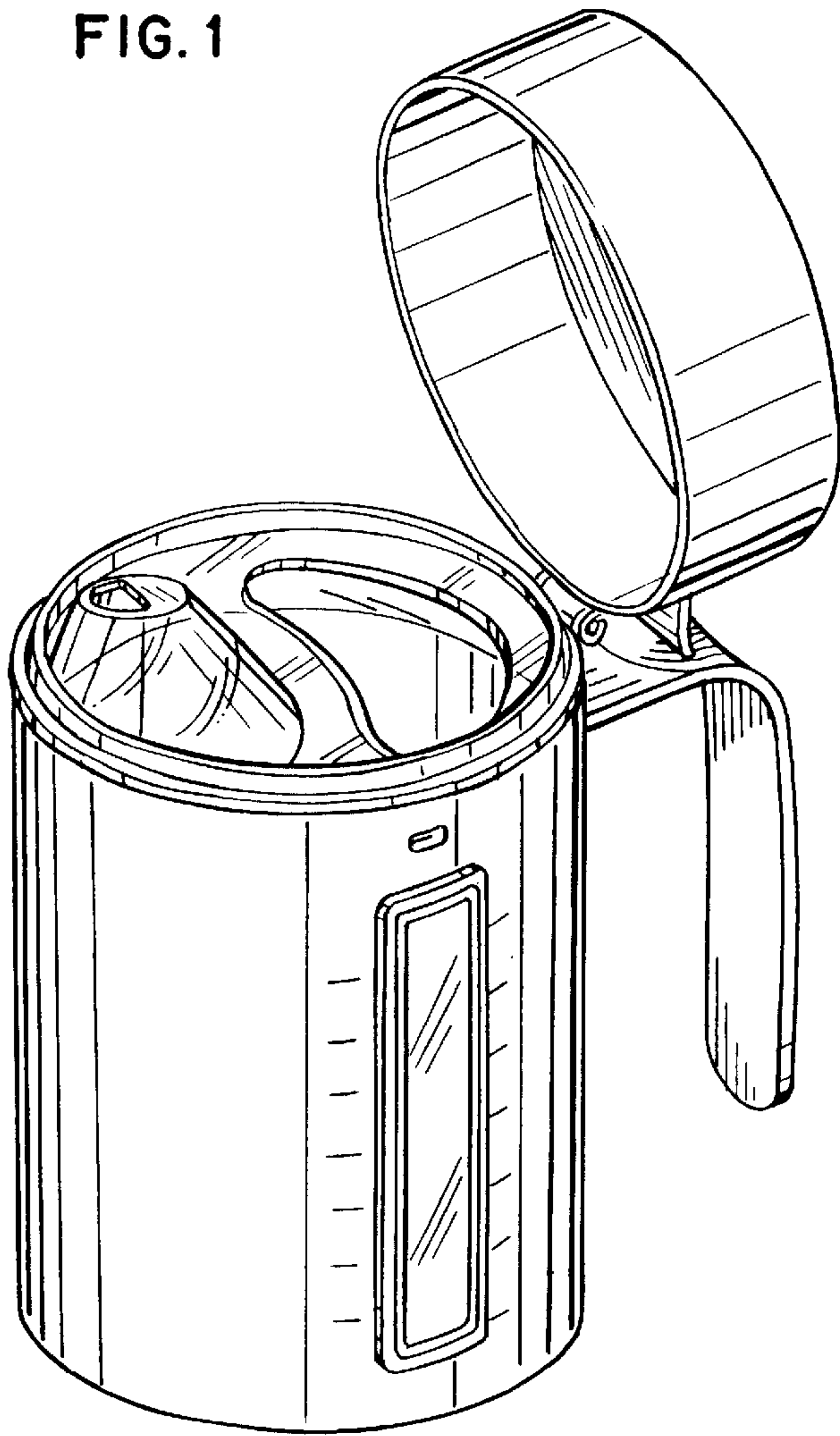


FIG. 2

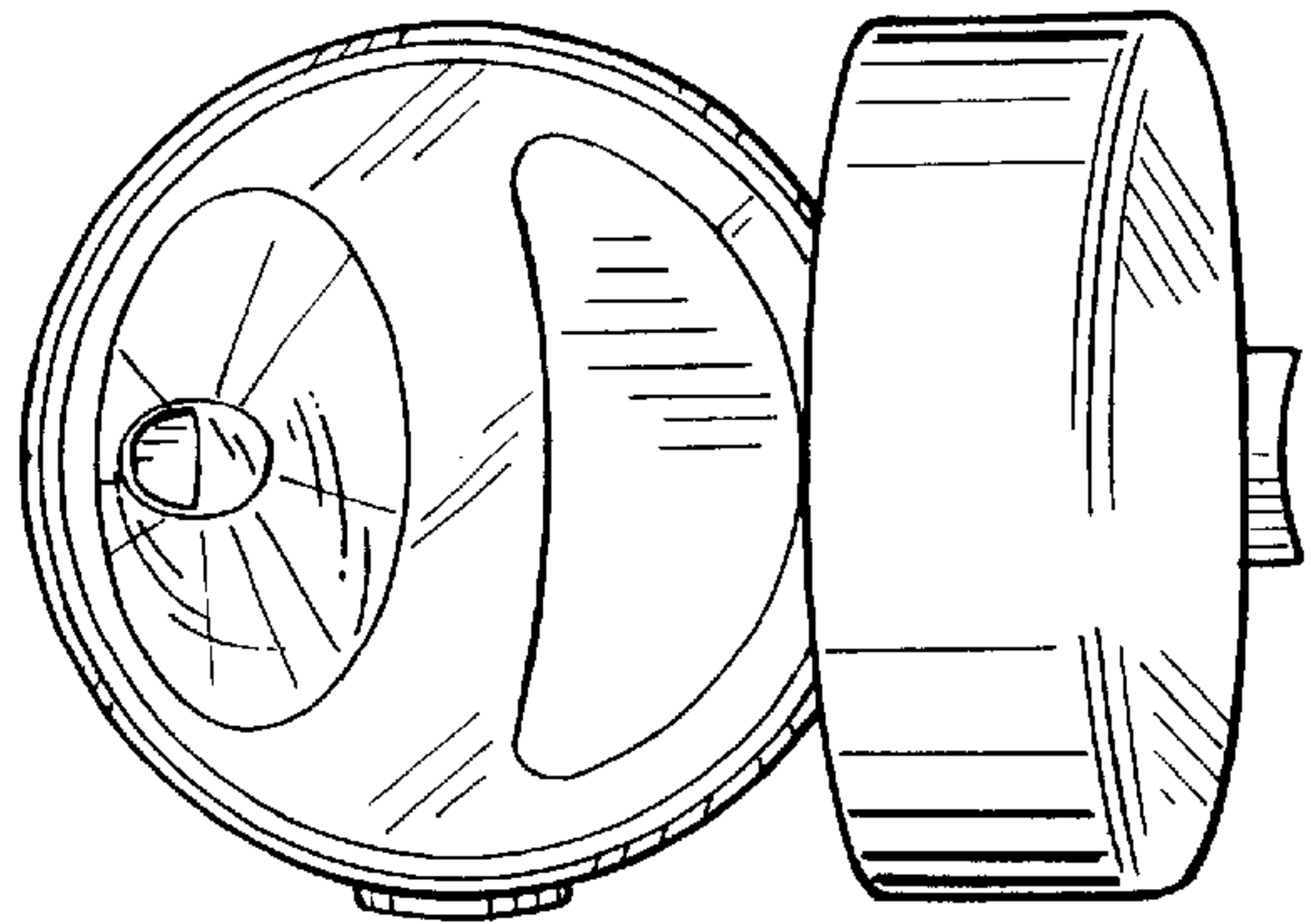


FIG. 3

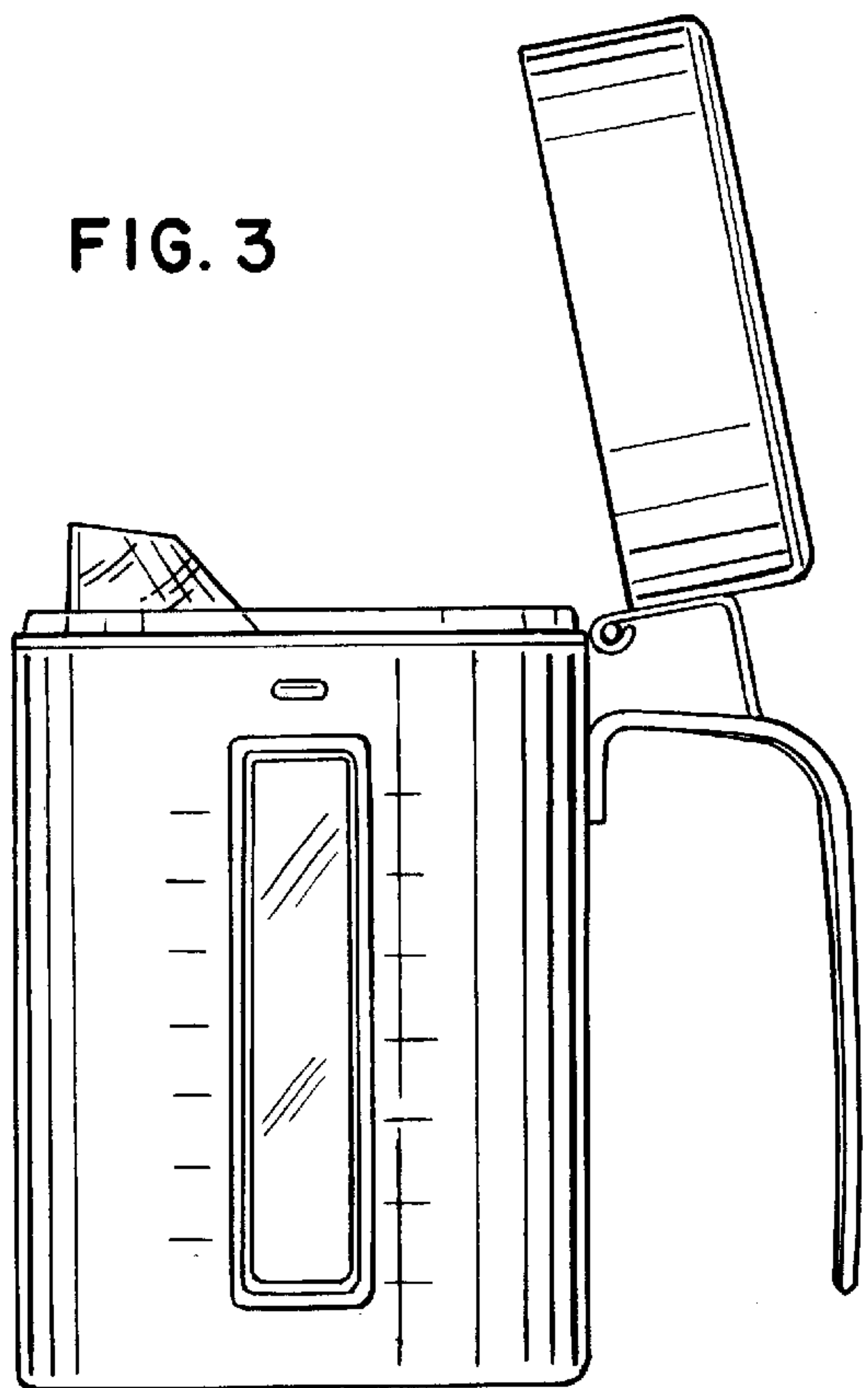


FIG. 4

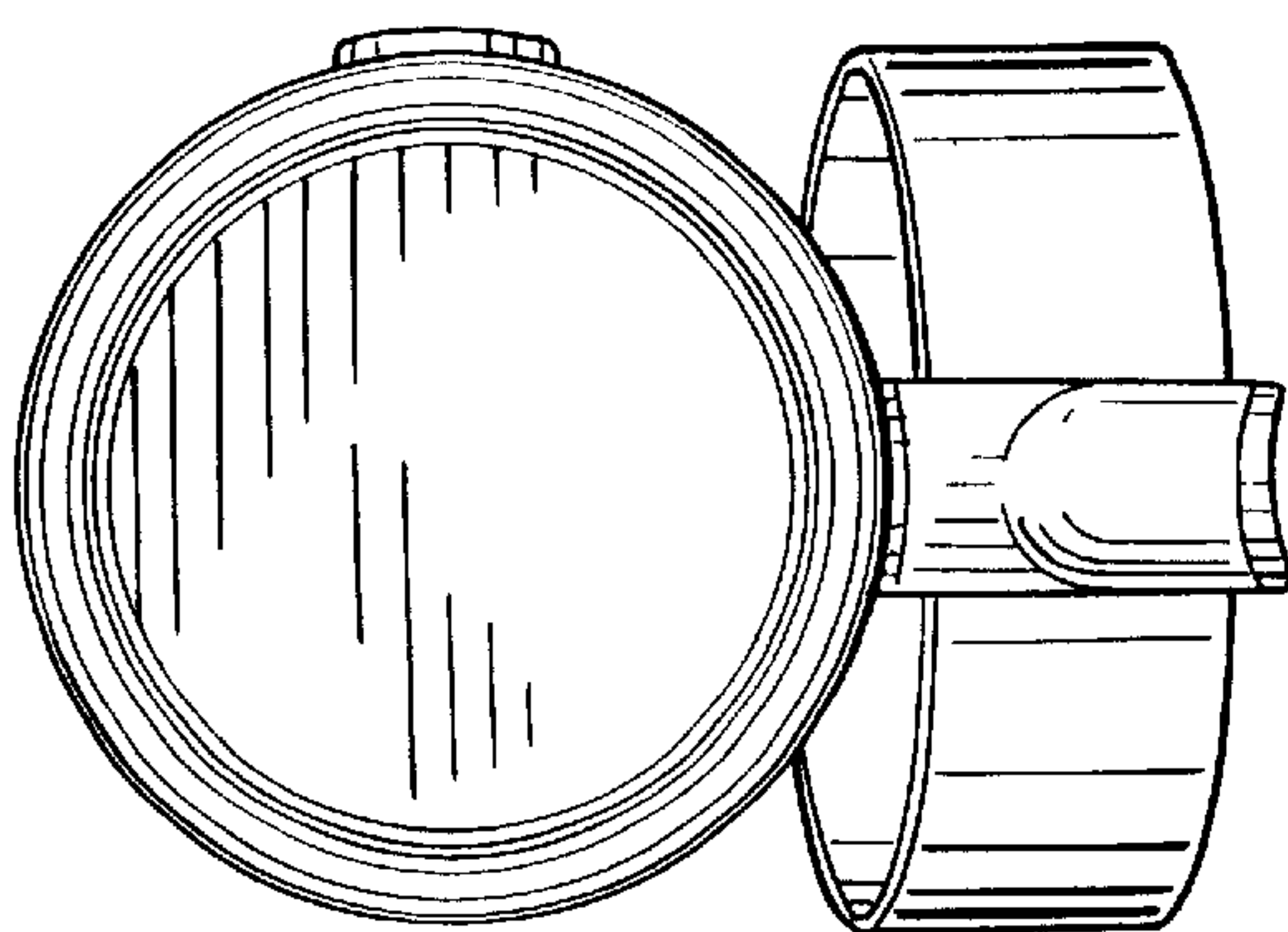


FIG. 5

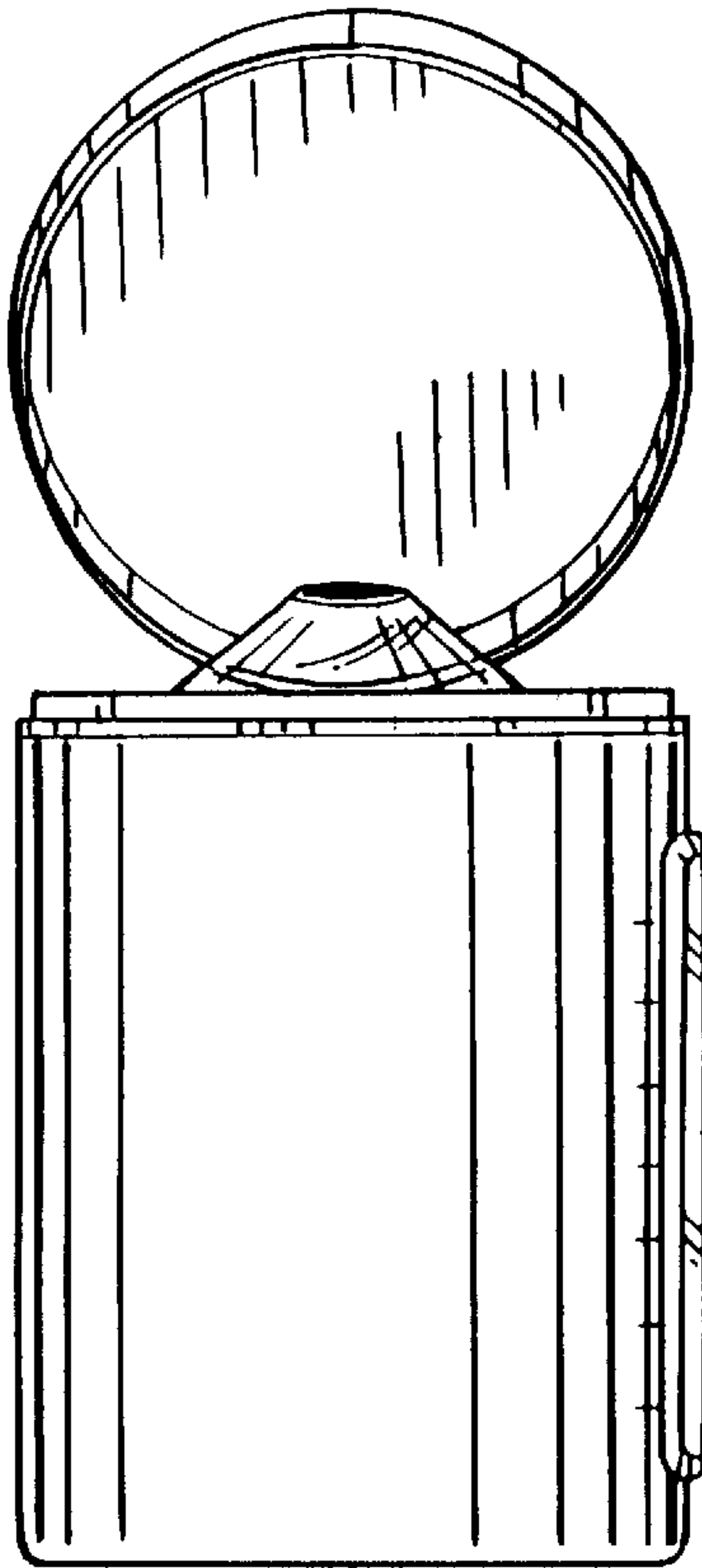


FIG. 6

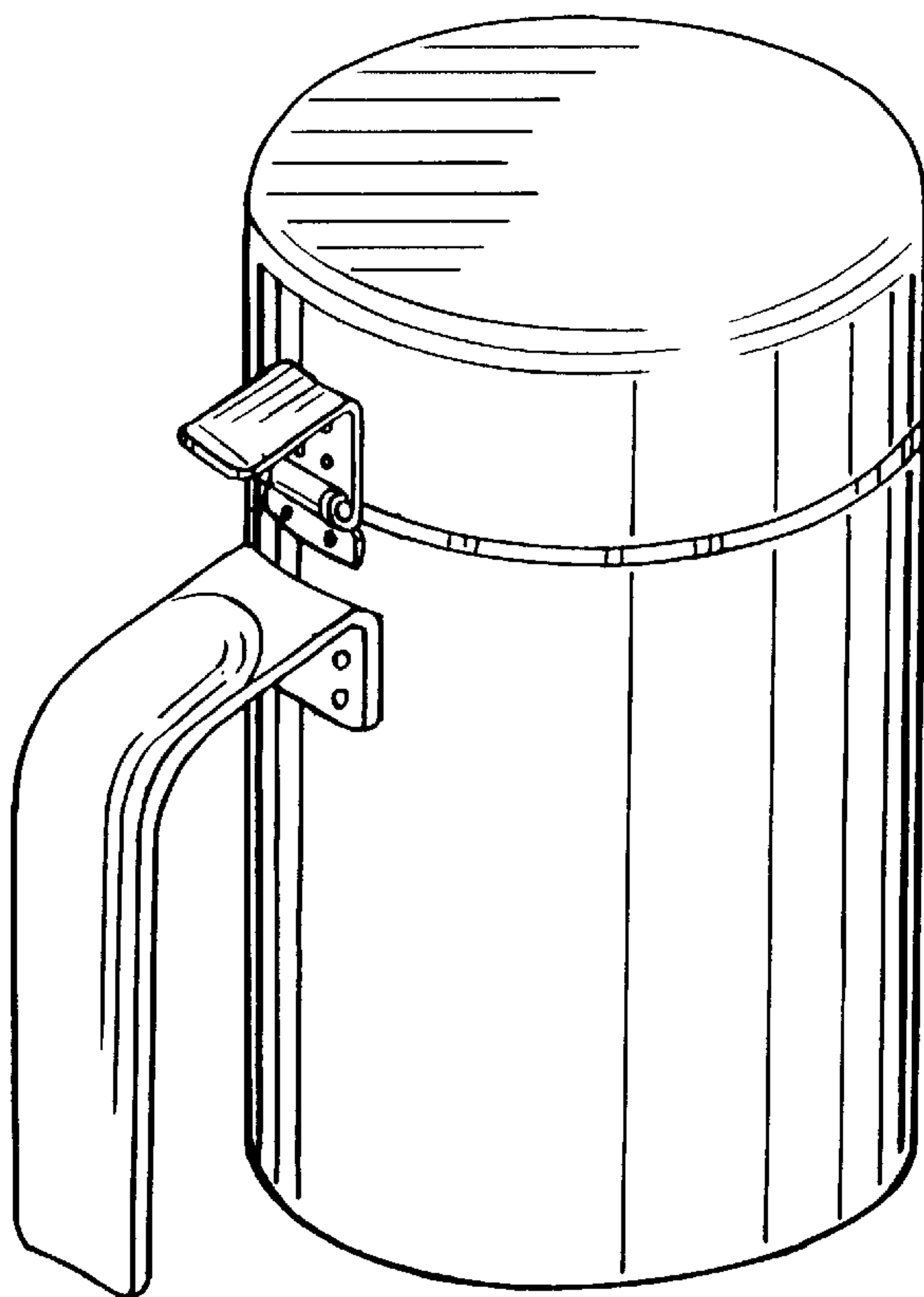
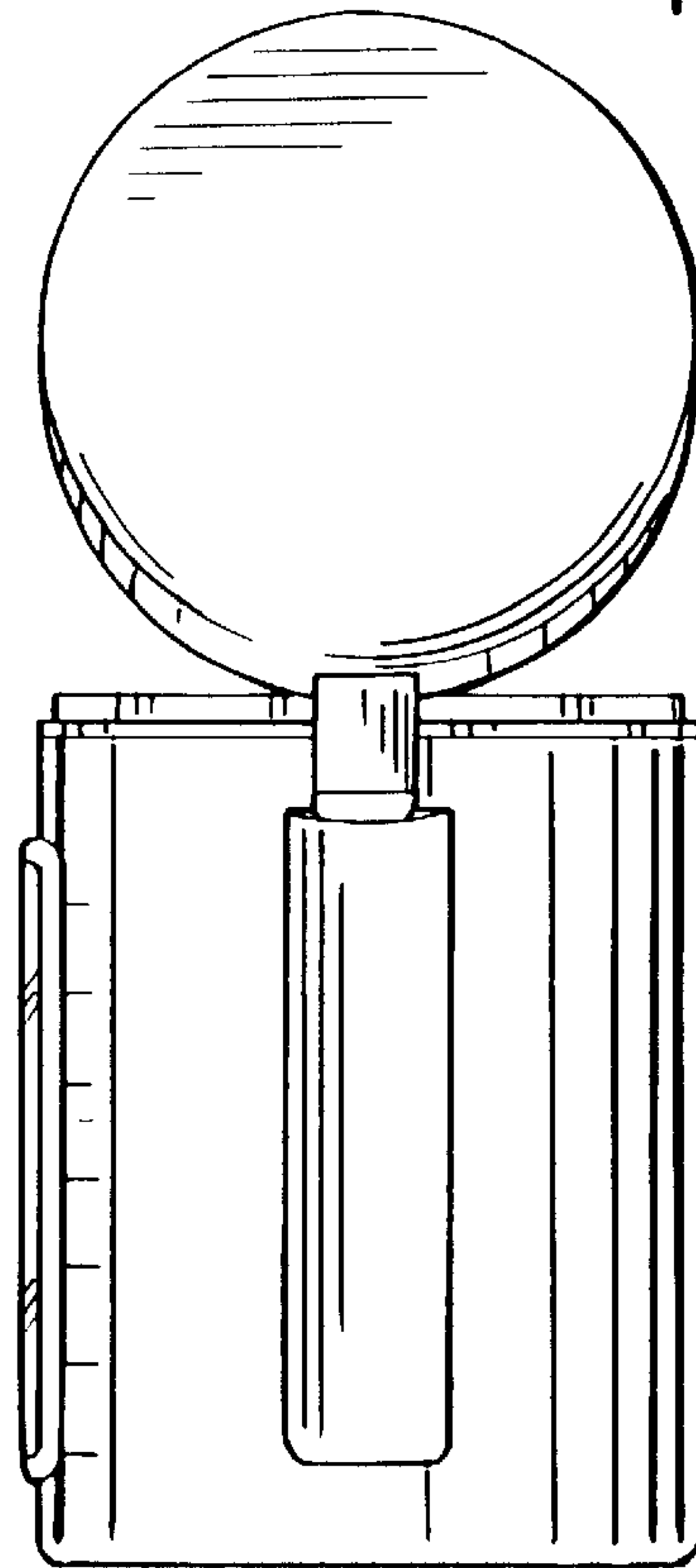


FIG. 7

FIG. 8

