



US00D458509S

(12) **United States Design Patent**
Kramer et al.

(10) **Patent No.:** **US D458,509 S**
(45) **Date of Patent:** **** Jun. 11, 2002**

(54) **RIGID MUG HANDLE**

(76) Inventors: **Jeffrey A. Kramer; William W. Rosenfeld**, both of 15959 NW. 15 Ave., Miami, FL (US) 33169

(**) Term: **14 Years**

(21) Appl. No.: **29/150,557**

(22) Filed: **Nov. 16, 2001**

(51) **LOC (7) Cl.** **07-01**

(52) **U.S. Cl.** **D7/394; D7/536; D7/396.2**

(58) **Field of Search** **D7/536, 543, 393, D7/394, 396.2, 319, 395, 511, 515, 392; 229/402; 220/710, 713, 630, 729, 792; D8/DIG. 1, 316; 294/33; 215/320**

(56) **References Cited**

U.S. PATENT DOCUMENTS

D37,298 S	*	1/1905	Maddock	D7/511
D101,958 S	*	11/1936	Kogan	D7/536
3,701,558 A	*	10/1972	Baker	294/33
D238,330 S	*	1/1976	ziskin	D7/394
D375,656 S	*	11/1996	Wilson	D7/515
D380,956 S	*	7/1997	Collins	D8/316

D405,317 S	*	2/1999	Ehrlich	D7/515
D411,713 S	*	6/1999	Bridges	D7/536
D433,277 S	*	11/2000	Copeland	D7/394
D445,640 S	*	7/2001	Cruz et al.	D7/392

* cited by examiner

Primary Examiner—M. N. Pandozzi

(74) *Attorney, Agent, or Firm*—Malloy & Malloy, P.A.

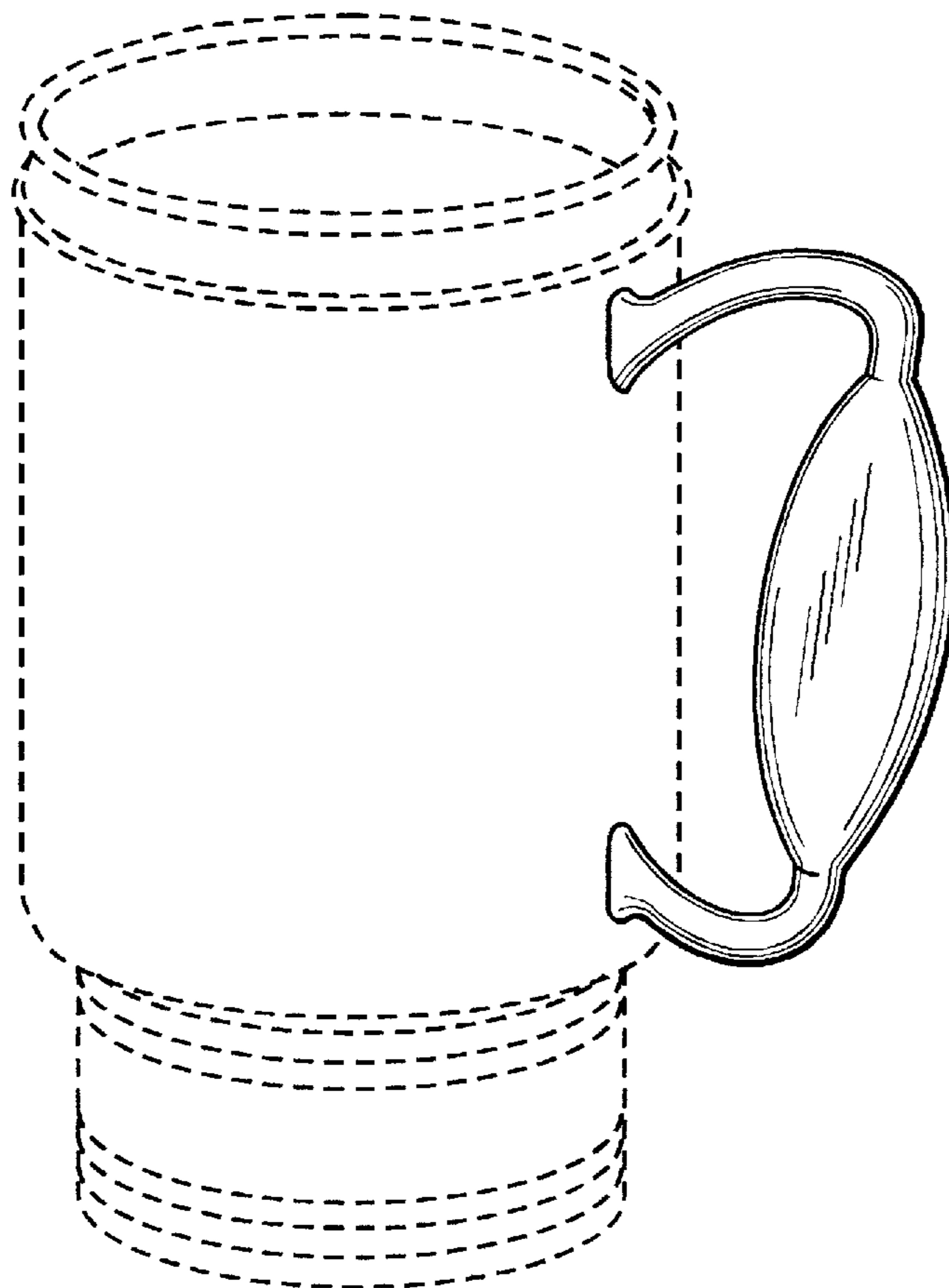
(57) **CLAIM**

The ornamental design for a rigid mug handle, as shown and described.

DESCRIPTION

FIG. 1 is a front perspective view illustrating my design for a rigid mug handle;
FIG. 2 is a left side view of my design;
FIG. 3 is a rear view of my design;
FIG. 4 is a top view of my design;
FIG. 5 is a front view of my design;
FIG. 6 is a bottom view of my design; and,
FIG. 7 is a right side view of my design.
The broken lines in FIGS. 1–7 are for illustrative purposes only and form no part of the claimed design.

1 Claim, 3 Drawing Sheets



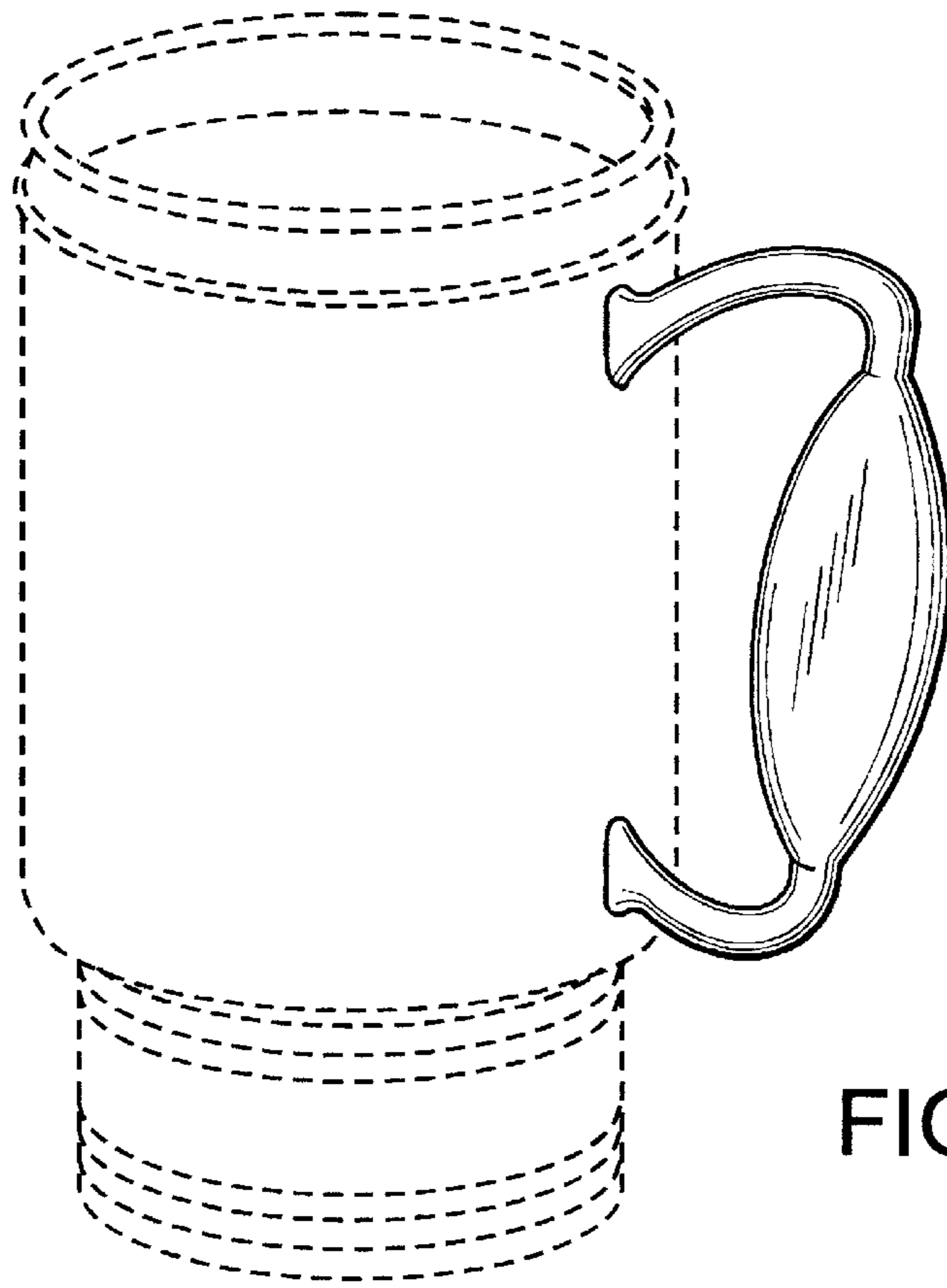


FIG. 1

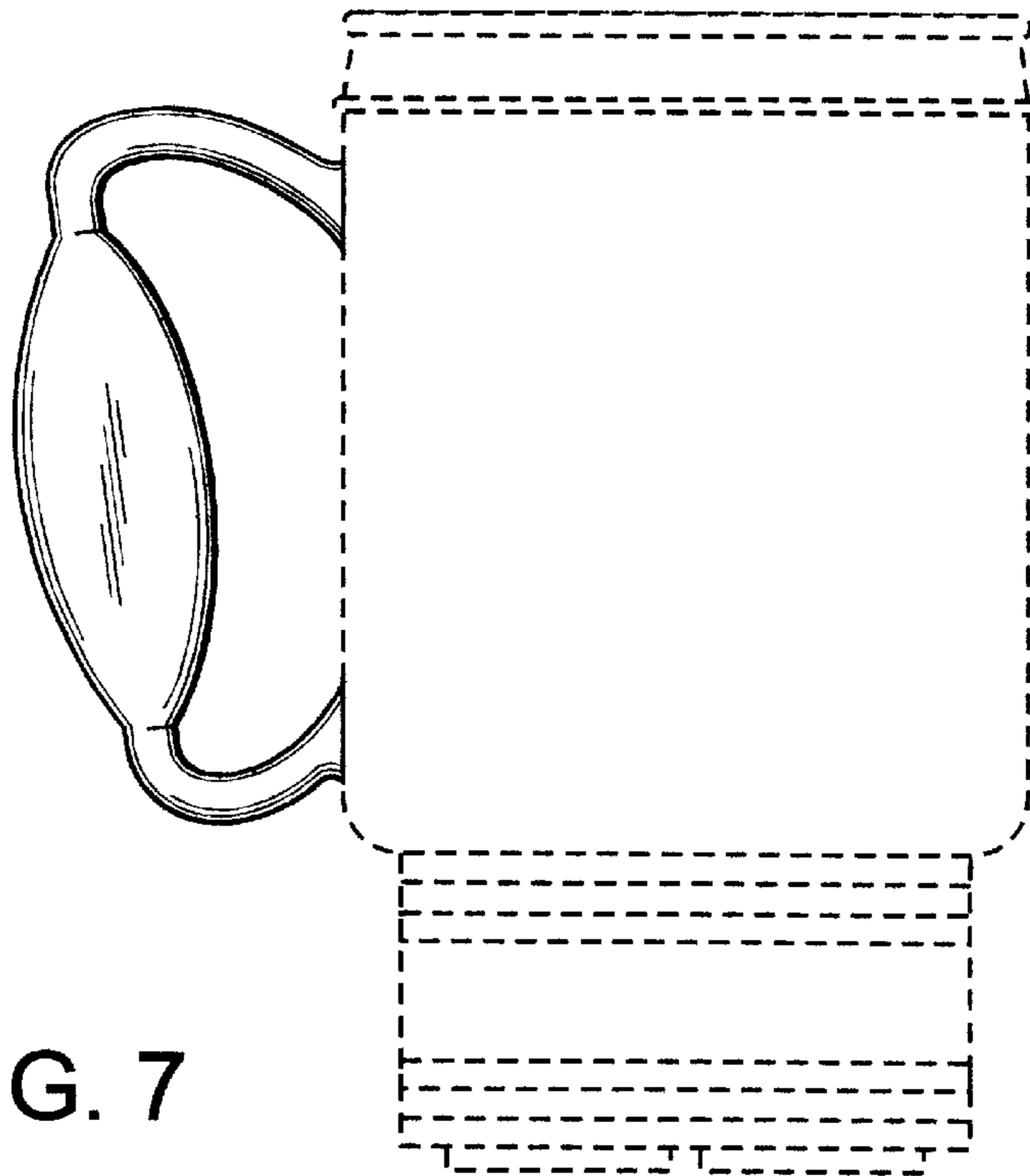


FIG. 7

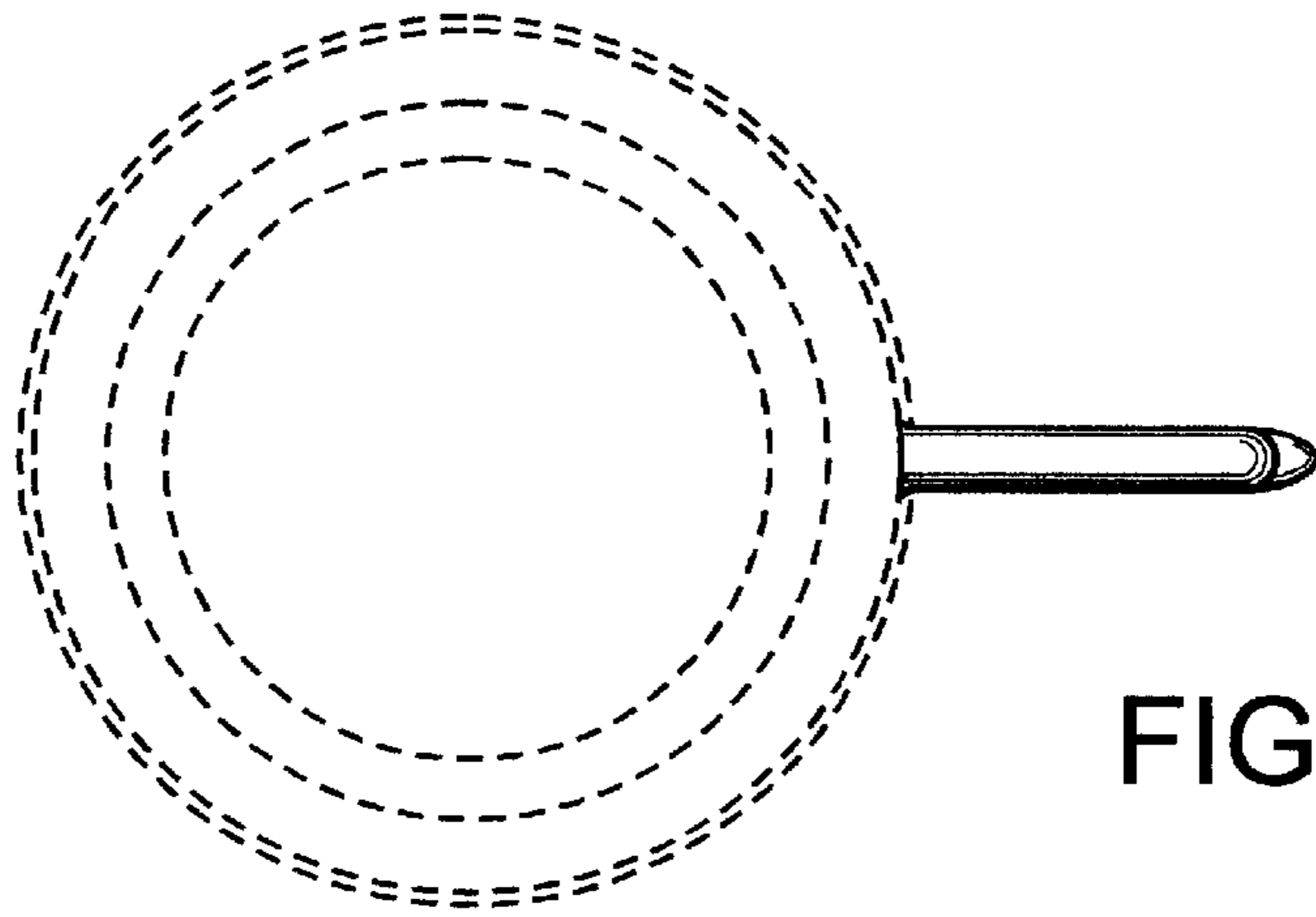


FIG. 4

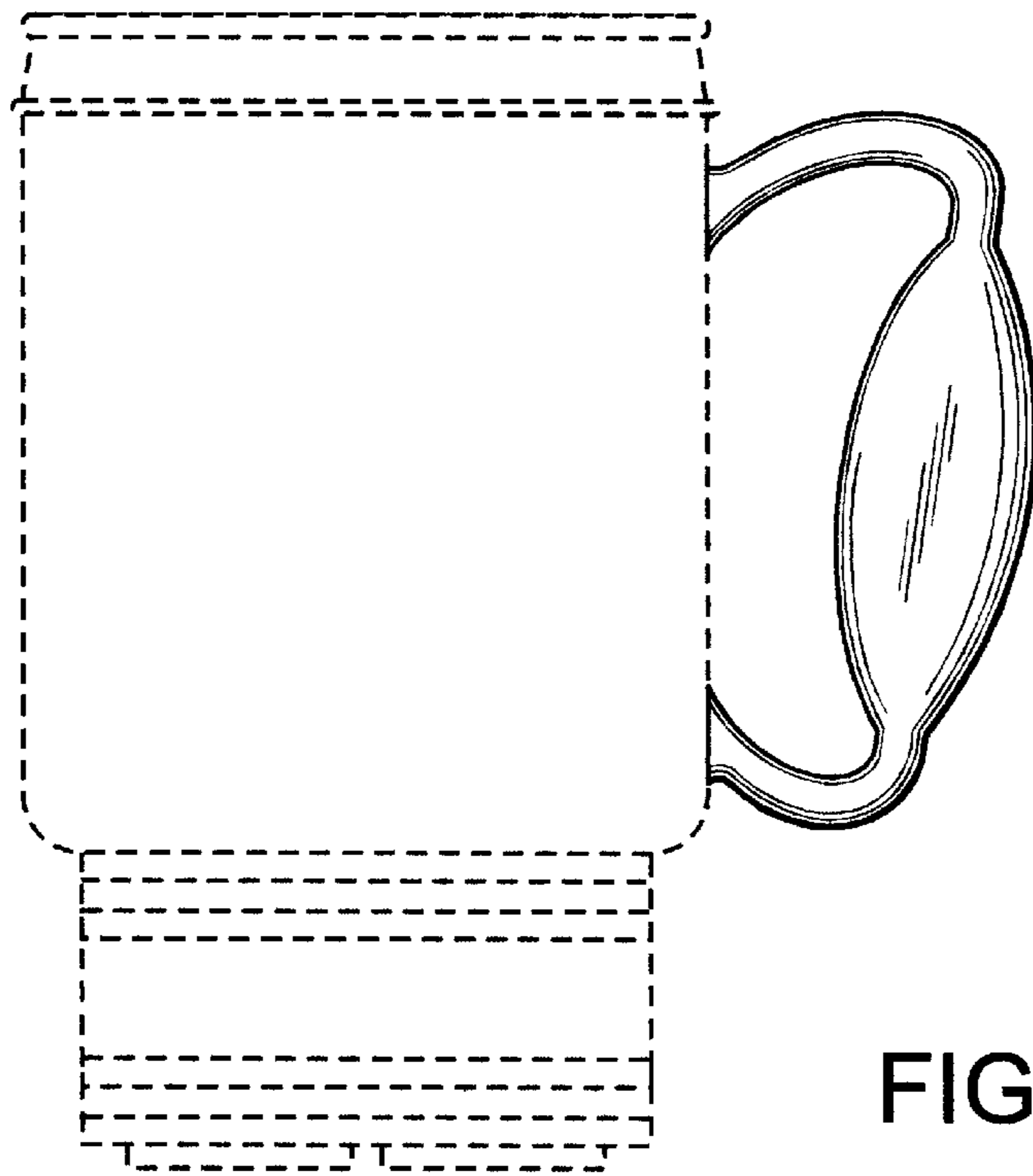


FIG. 2

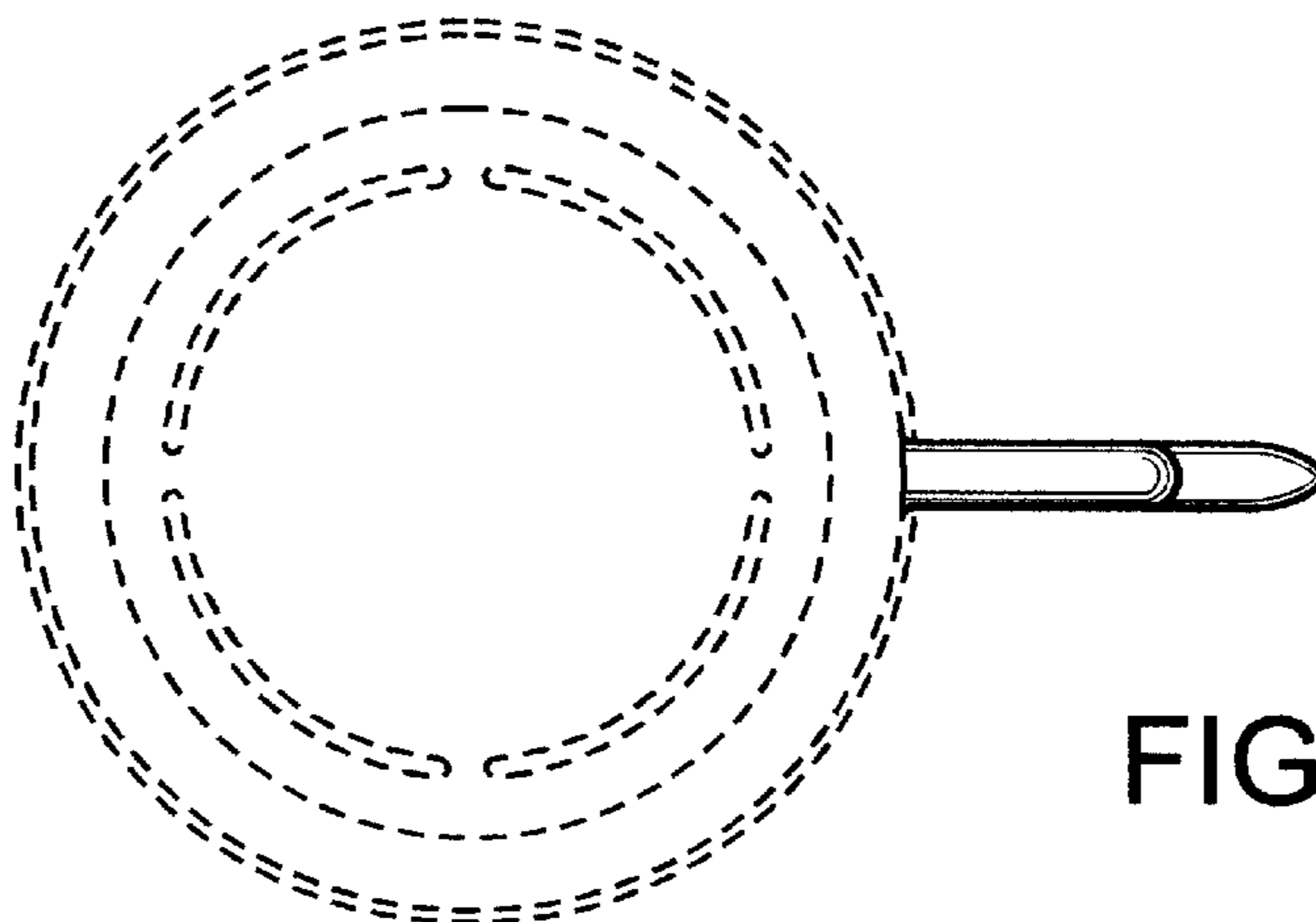


FIG. 6

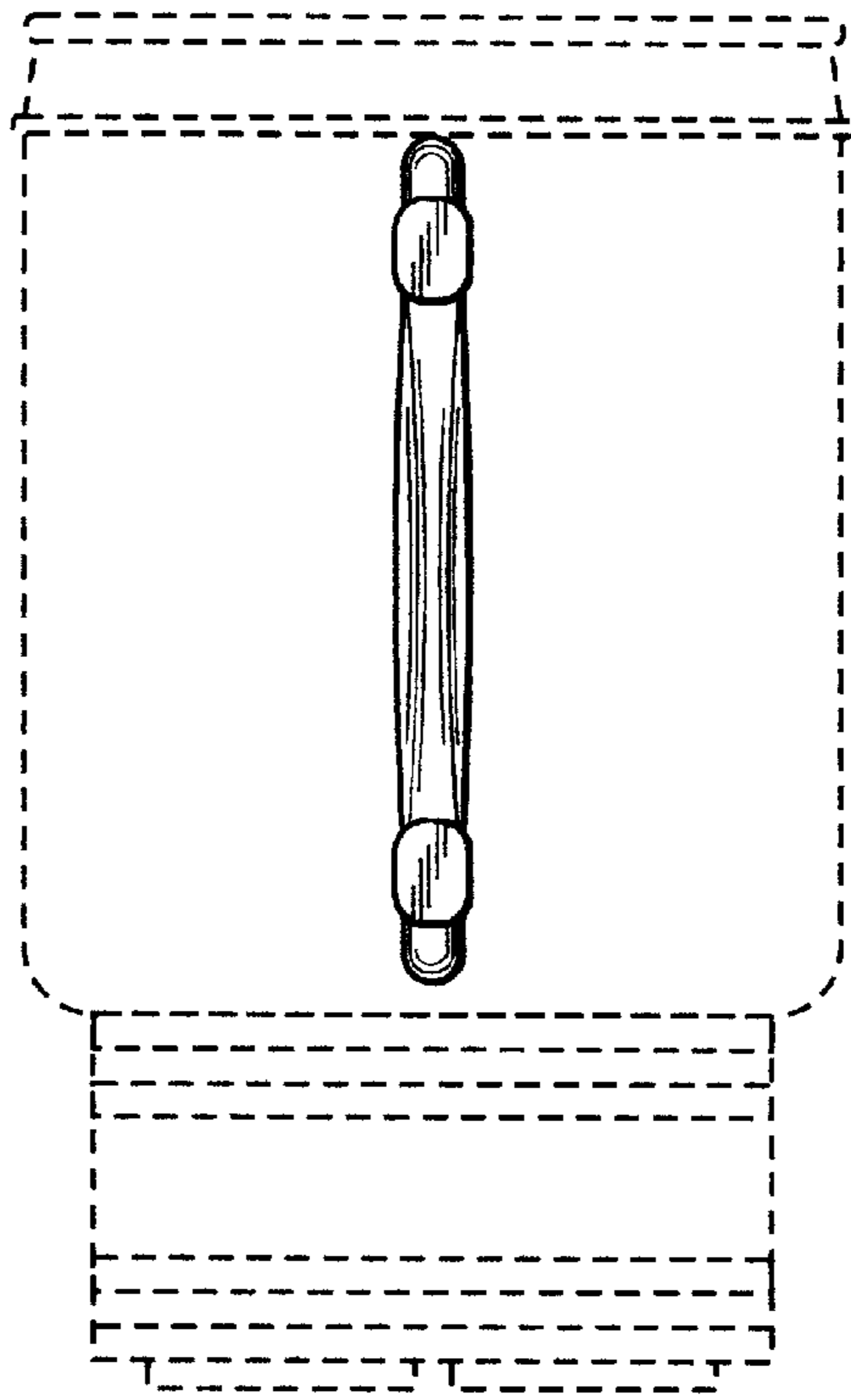


FIG. 3

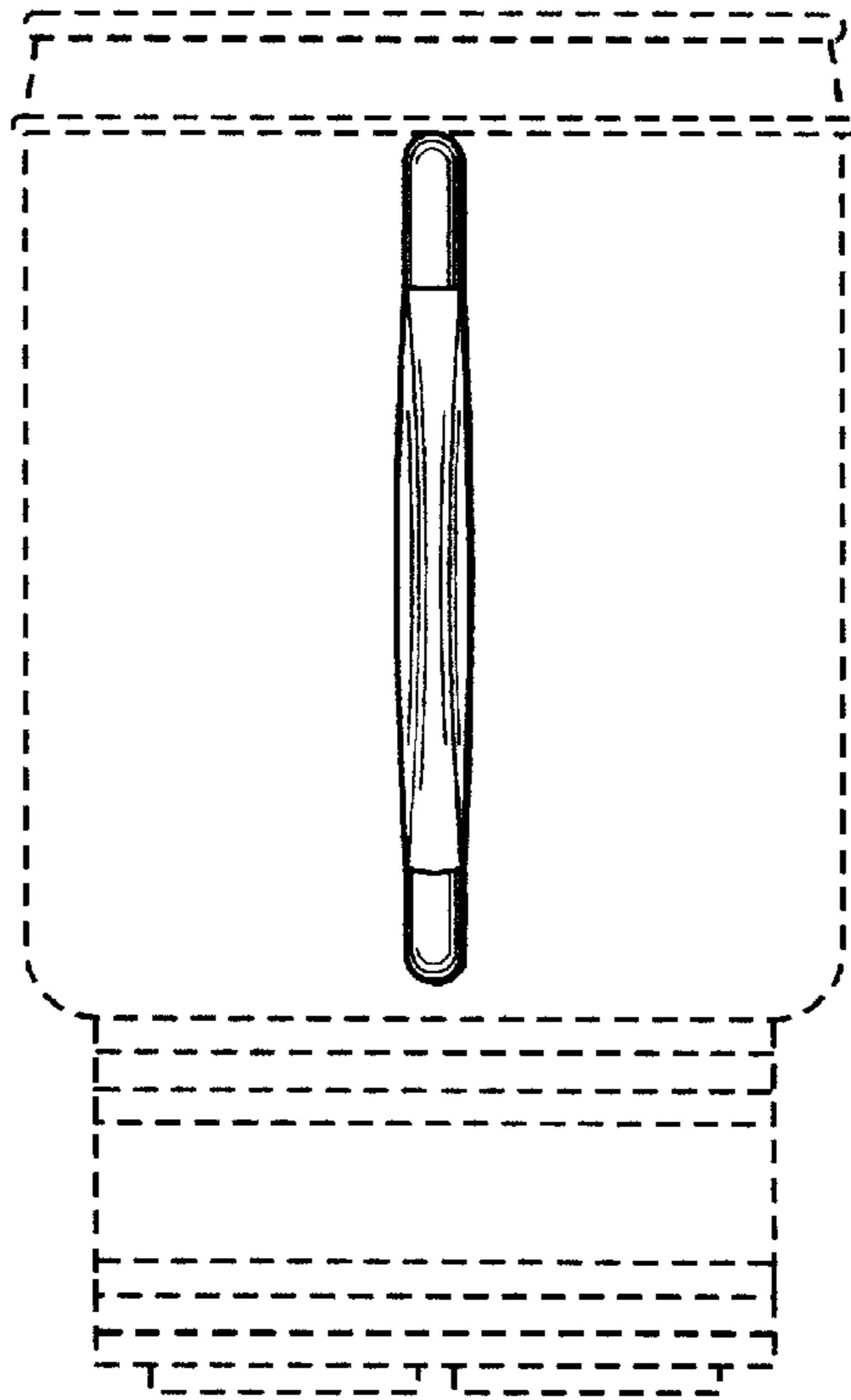


FIG. 5