



US00D458508S

(12) **United States Design Patent** (10) **Patent No.:** **US D458,508 S**
Thonis et al. (45) **Date of Patent:** **** Jun. 11, 2002**

(54) **CONTAINER COVER**

(75) Inventors: **Paul Thonis**, Corning; **Jeffrey B. Kell**, Avon; **Timothy K. Virkus**, Painted Post, all of NY (US)

(73) Assignee: **World Kitchen, Inc.**, Elmira, NY (US)

(**) Term: **14 Years**

(21) Appl. No.: **29/143,192**

(22) Filed: **Jun. 8, 2001**

(51) **LOC (7) Cl.** **07-01**

(52) **U.S. Cl.** **D7/392.1**

(58) **Field of Search** D7/323, 354-361,
D7/391-392.1, 538-545, 601, 602, 629;
D9/414, 424, 428, 435, 443, 454; 220/306,
307, 309.1, 315, 316, 367.1, 377, 790-793;
D3/273, 282, 323

(56) **References Cited**

U.S. PATENT DOCUMENTS

2,913,140 A * 11/1959 Vuilleminot 220/210
D427,480 S * 7/2000 Brady D7/354
D451,335 S * 12/2001 Rossman D7/360

OTHER PUBLICATIONS

Corningware Housewares Catalog, 1978.
Corningware Housewares Catalog, Mar. 1981, pp. 14-15.
Corningware Housewares Catalog, 1981, pp. 4-5, 10-11.
Corningware Housewares Catalog, 1982, pp. 7, 14, 15.
Corningware Housewares Catalog, 1983.
Corningware Housewares Catalog, 1991.
Corningware Housewares Catalog, 1998.
Corningware Housewares Catalog, 1999.
U.S. patent application Ser. No. 29/143,201, filed Jun. 8,
2001, Container Cover.

U.S. patent application Ser. No. 29/143,174, filed Jun. 8, 2001, Container Cover.

U.S. patent application Ser. No. 29/143,193, filed Jun. 8, 2001, Container Cover.

U.S. patent application Ser. No. 29/143,202, filed Jun. 8, 2001, Container Cover.

U.S. patent application Ser. No. 29/143,200, filed Jun. 8, 2001, Container Cover.

U.S. patent application Ser. No. 29/143,188, filed Jun. 8, 2001, Container Cover Handle.

U.S. patent application Ser. No. 29/143,199, filed Jun. 8, 2001, Container Cover.

* cited by examiner

Primary Examiner—Caron D. Veynar

(74) *Attorney, Agent, or Firm*—Wolf, Greenfield & Sacks, P.C.

(57) **CLAIM**

The ornamental design for a container cover, as shown and described.

DESCRIPTION

FIG. 1 is a perspective view of a container cover showing our new design;

FIG. 2 is a top view thereof;

FIG. 3 is a bottom view thereof;

FIG. 4 is a front view thereof;

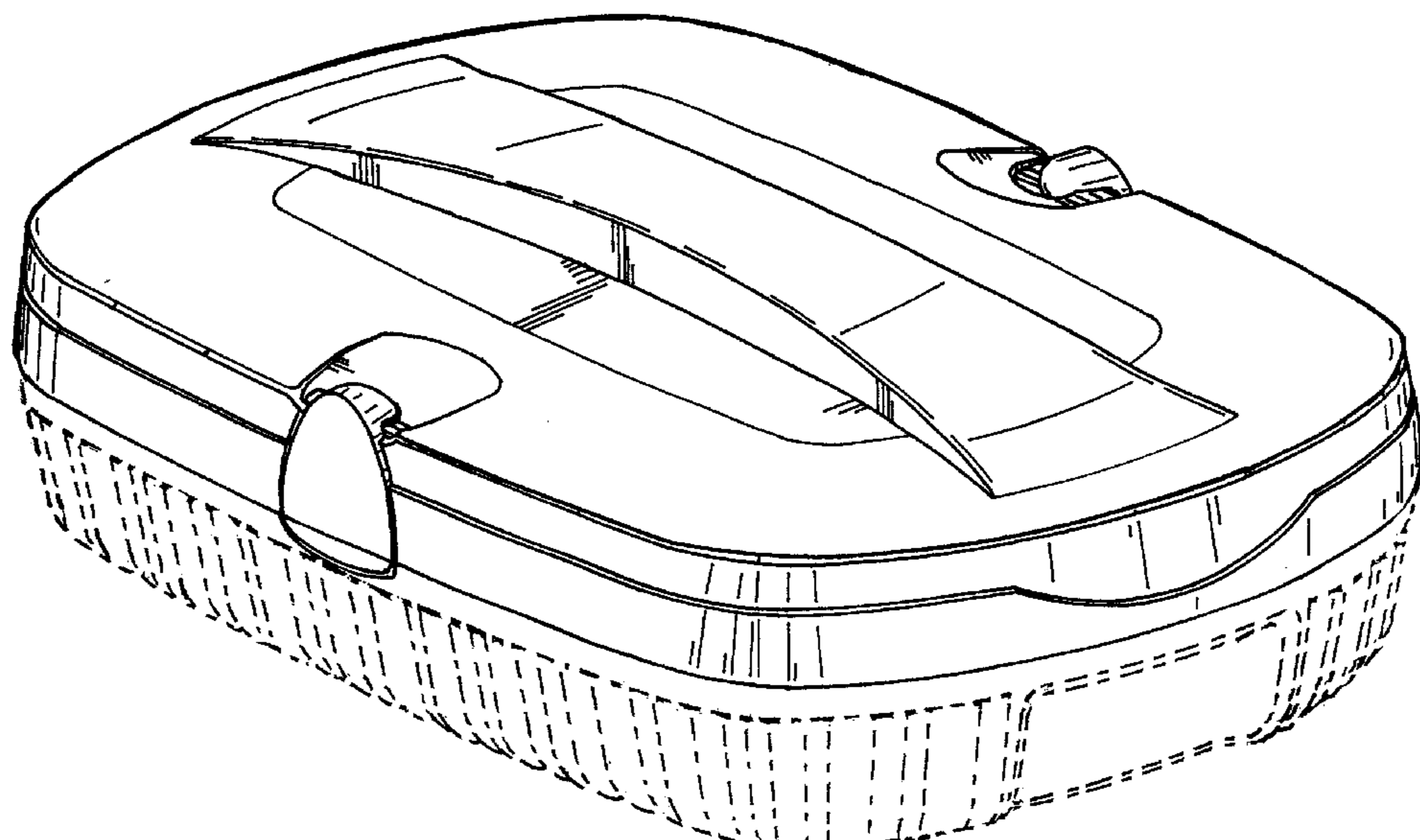
FIG. 5 is a rear view thereof;

FIG. 6 is a left side view thereof; and,

FIG. 7 is a right side view thereof.

The broken lines showing a container in FIGS. 1, and 3-7 are for illustrative purposes only and form no part of the claimed design.

1 Claim, 3 Drawing Sheets



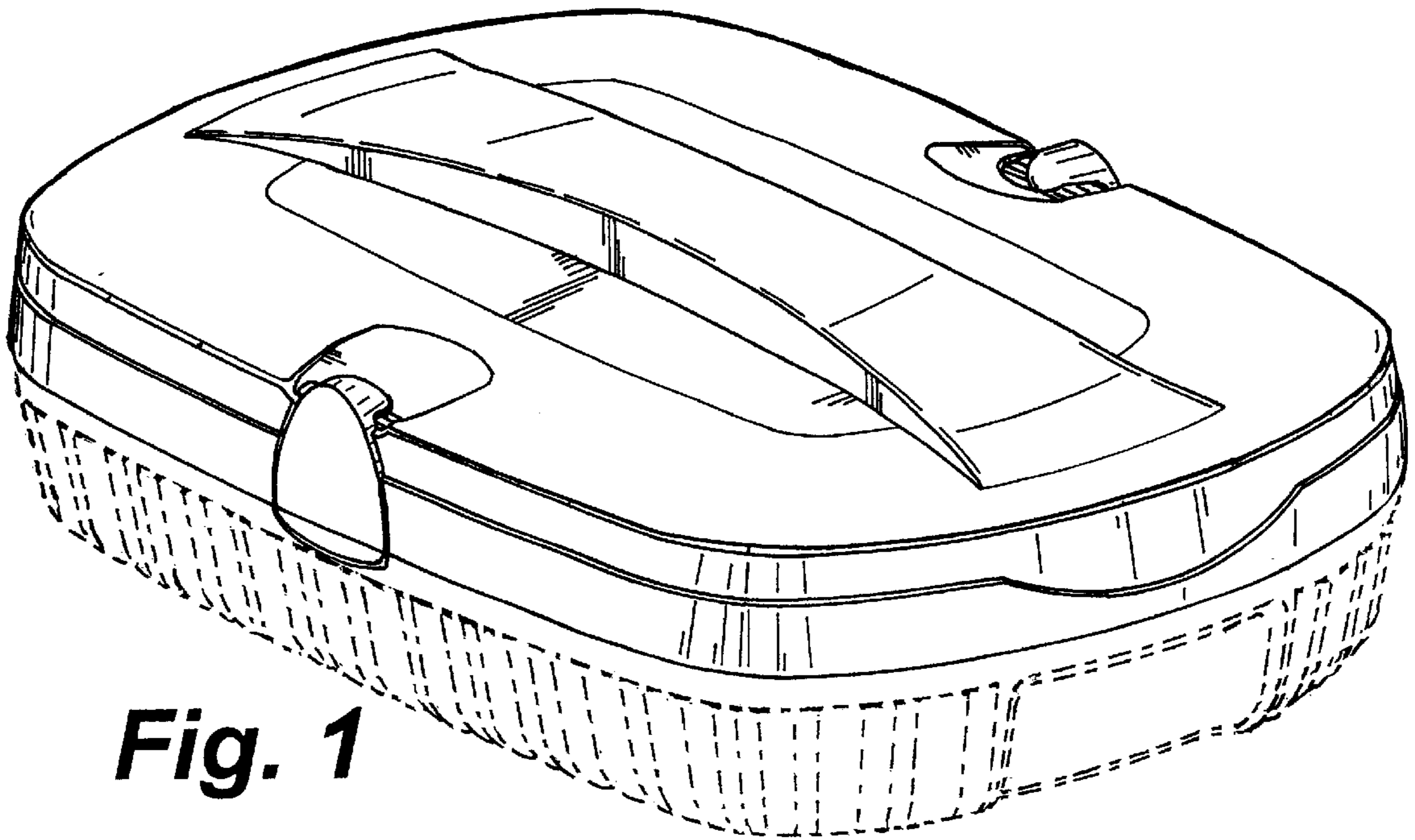


Fig. 1

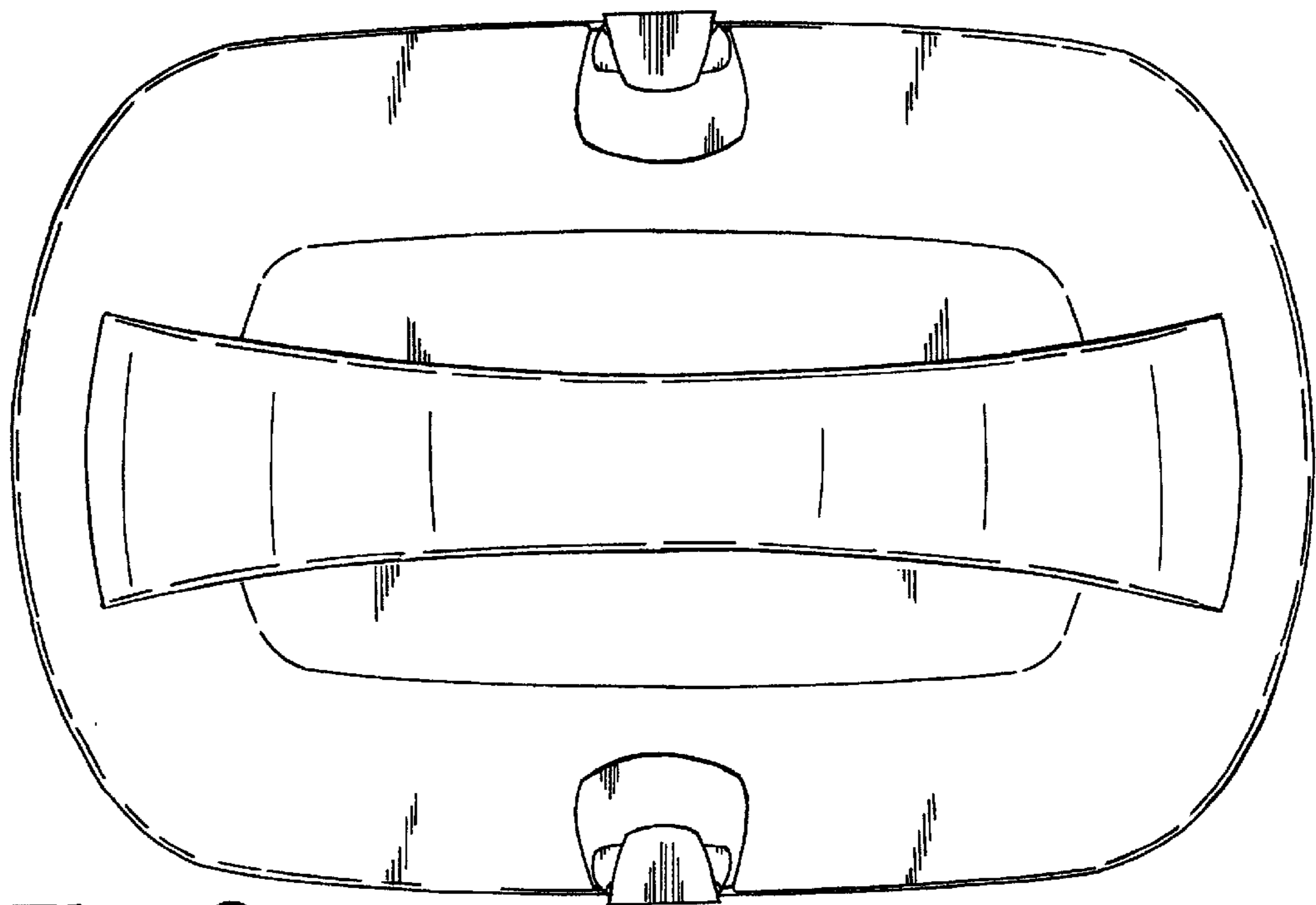


Fig. 2

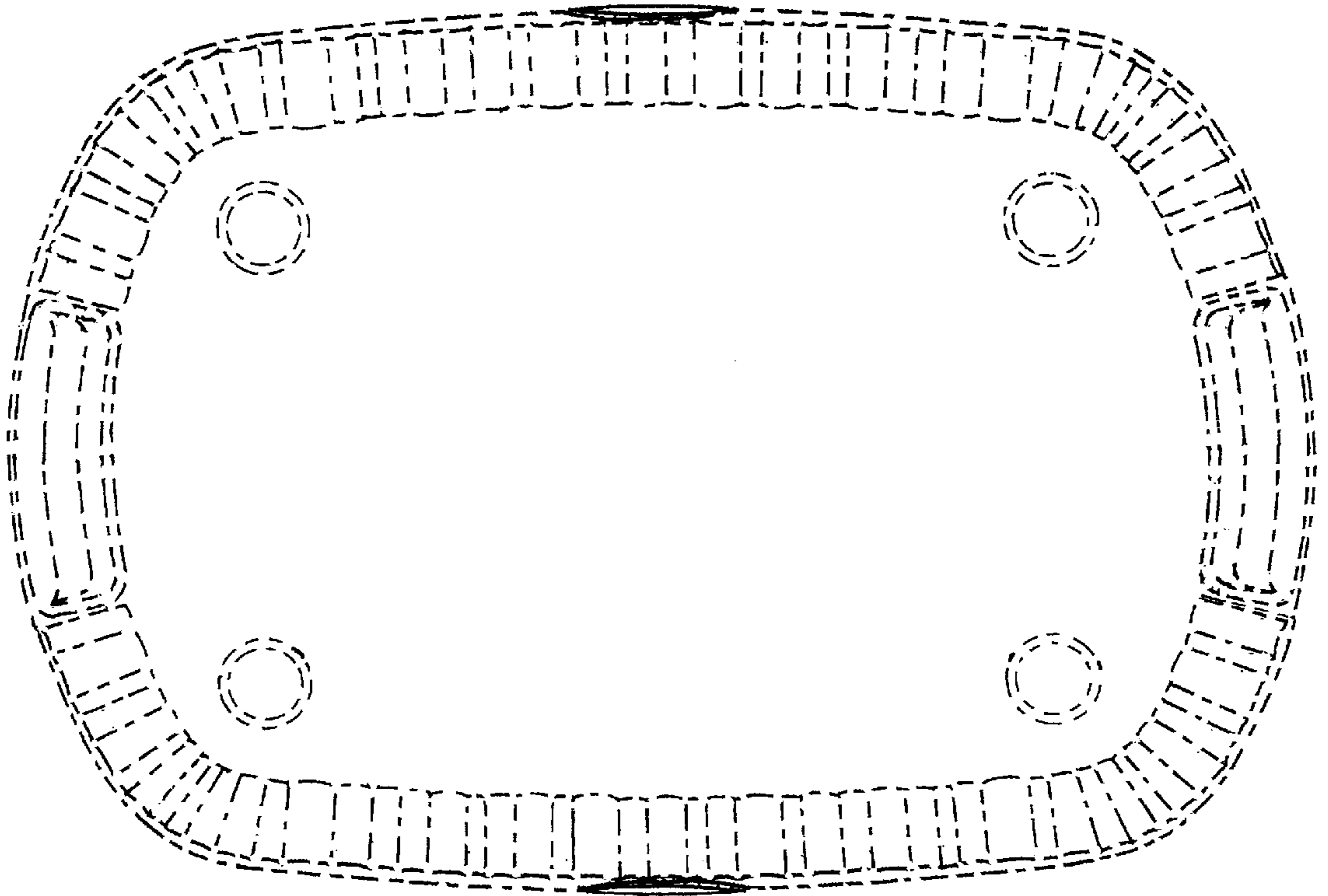


Fig. 3

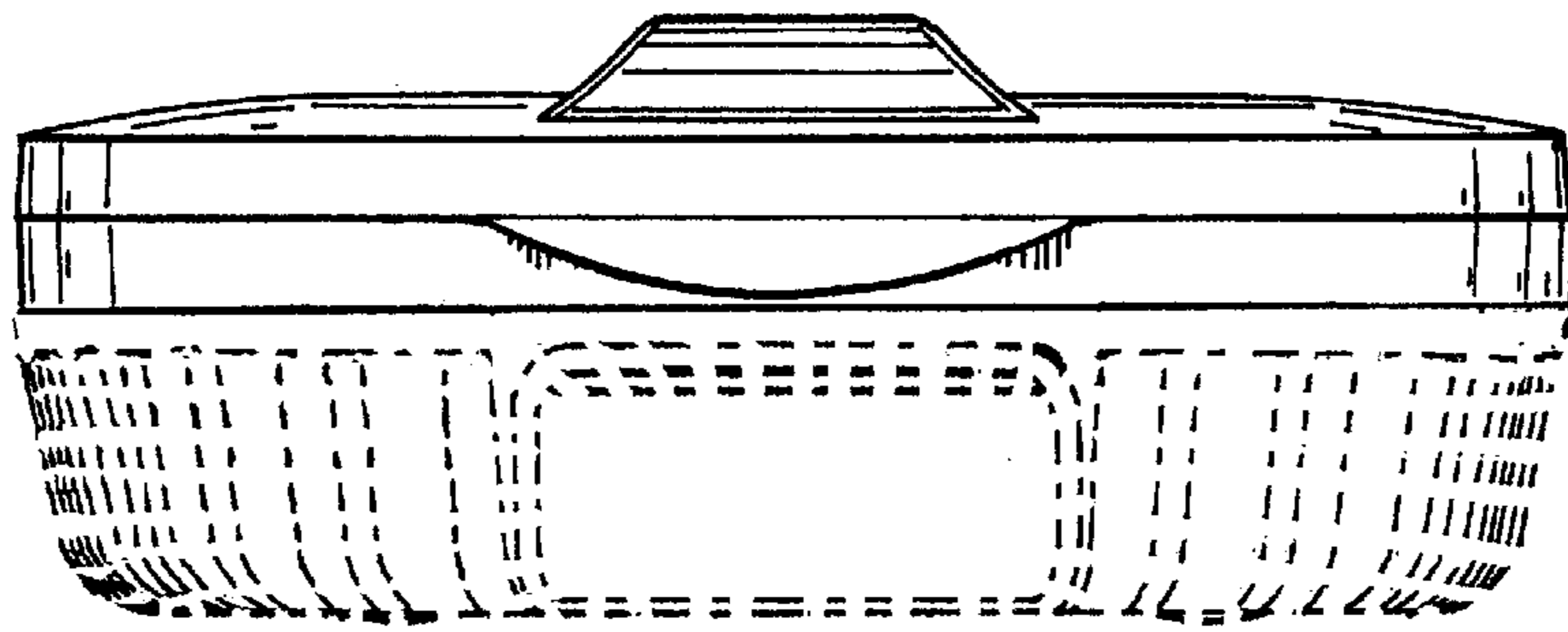


Fig. 4

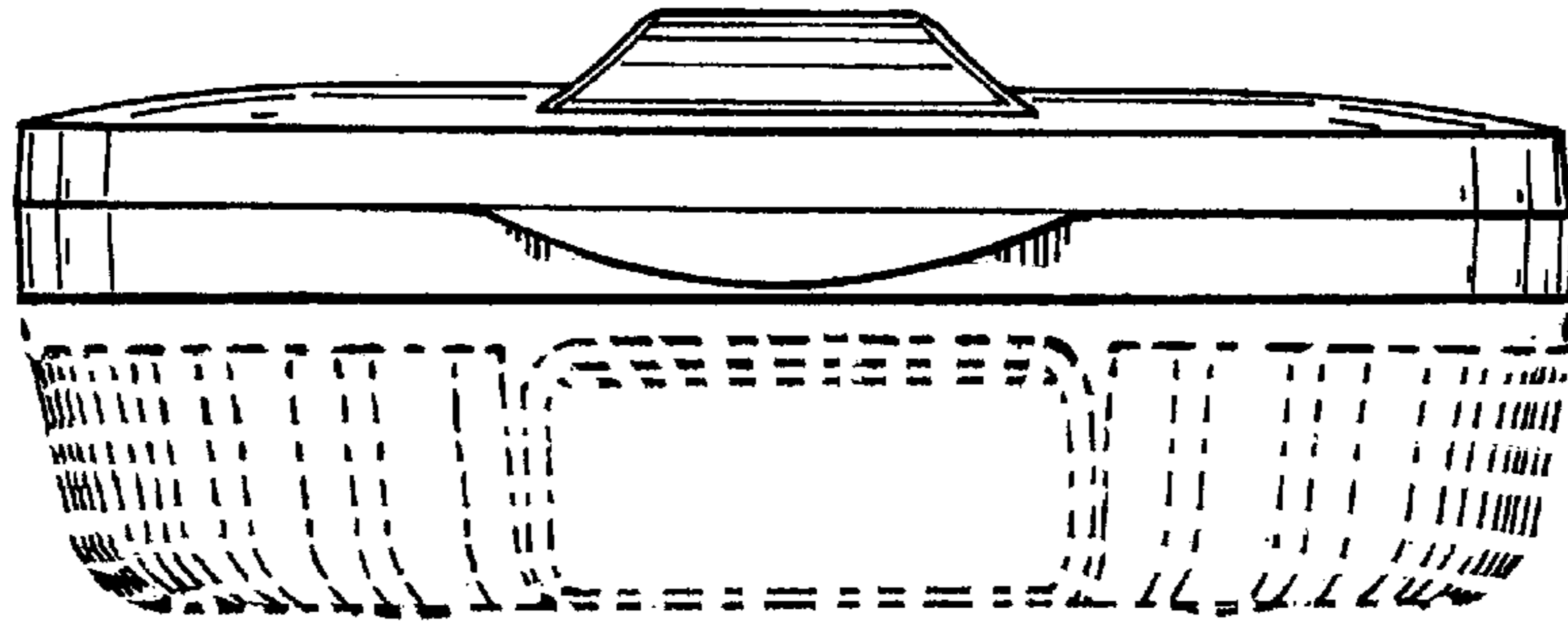


Fig. 5

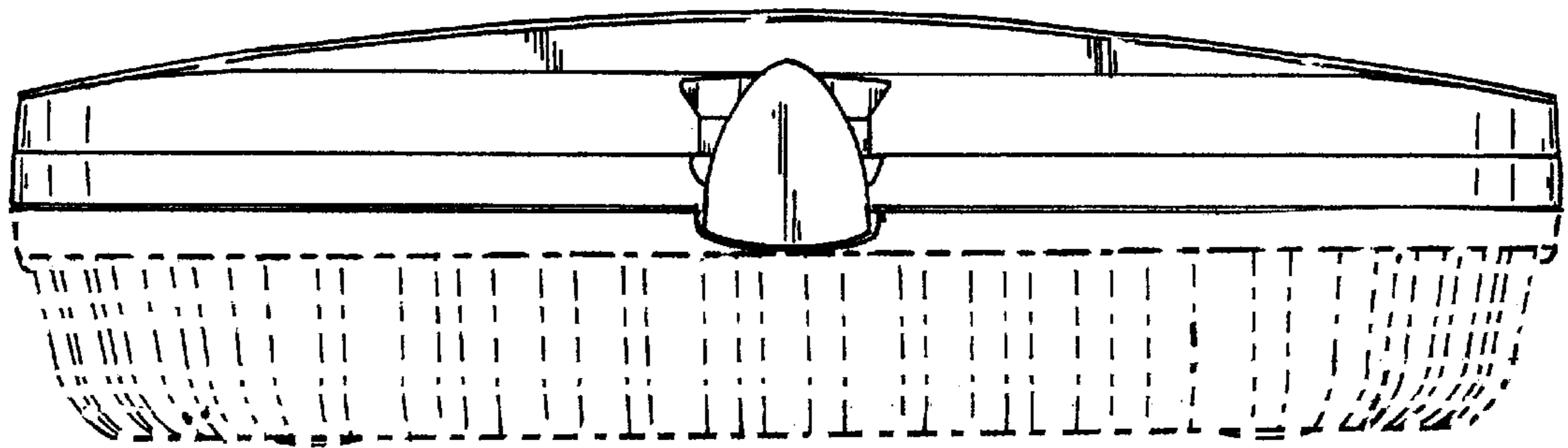


Fig. 6

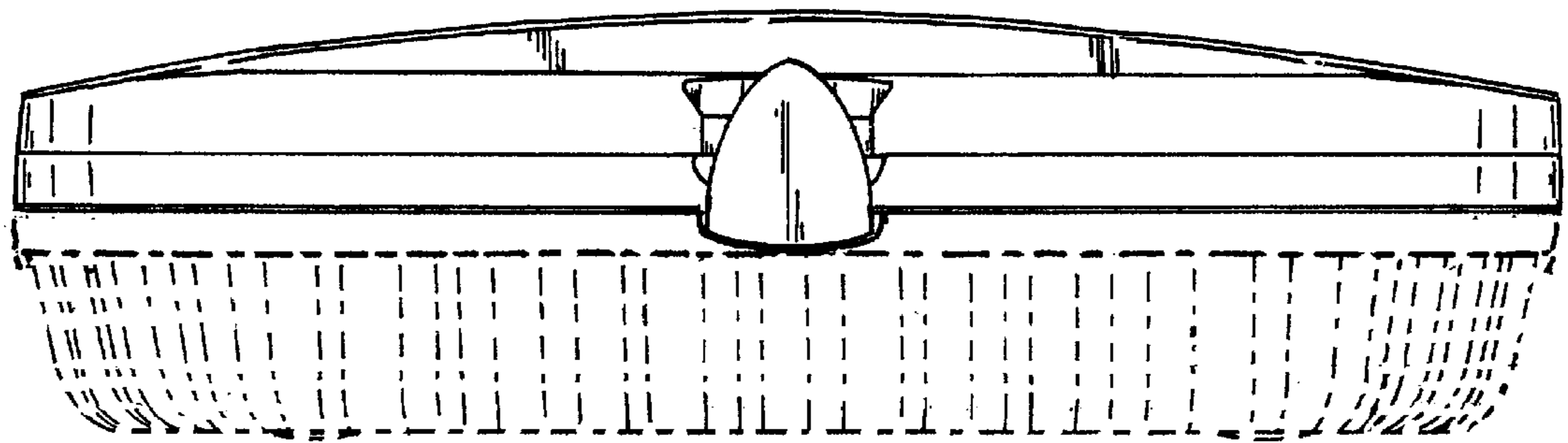


Fig. 7