



US00D458507S

(12) **United States Design Patent**
Meelen

(10) **Patent No.:** **US D458,507 S**

(45) **Date of Patent:** **** Jun. 11, 2002**

(54) **DEEP FRYER**

(75) Inventor: **Hans Theo Meelen**, Drachten (NL)

(73) Assignee: **U.S. Philips Corporation**, New York, NY (US)

(**) Term: **14 Years**

(21) Appl. No.: **29/147,640**

(22) Filed: **Sep. 4, 2001**

(30) **Foreign Application Priority Data**

Mar. 29, 2001 (XH) DMA/005 244

(51) **LOC (7) Cl.** **07-02**

(52) **U.S. Cl.** **D7/354; D7/360**

(58) **Field of Search** D7/323, 354-361;
99/324, 336, 341, 403; 220/526, 573.1

(56) **References Cited**

U.S. PATENT DOCUMENTS

D172,552 S * 7/1954 Perl et al. D7/360

D376,724 S * 12/1996 Mendelson et al. D7/360
D386,354 S * 11/1997 Hoekstra D7/360
D444,666 S * 7/2001 Kalina et al. D7/360
D444,994 S * 7/2001 Kalina et al. D7/360

* cited by examiner

Primary Examiner—Caron D. Veynar

(74) *Attorney, Agent, or Firm*—Ernestine C. Bartlett

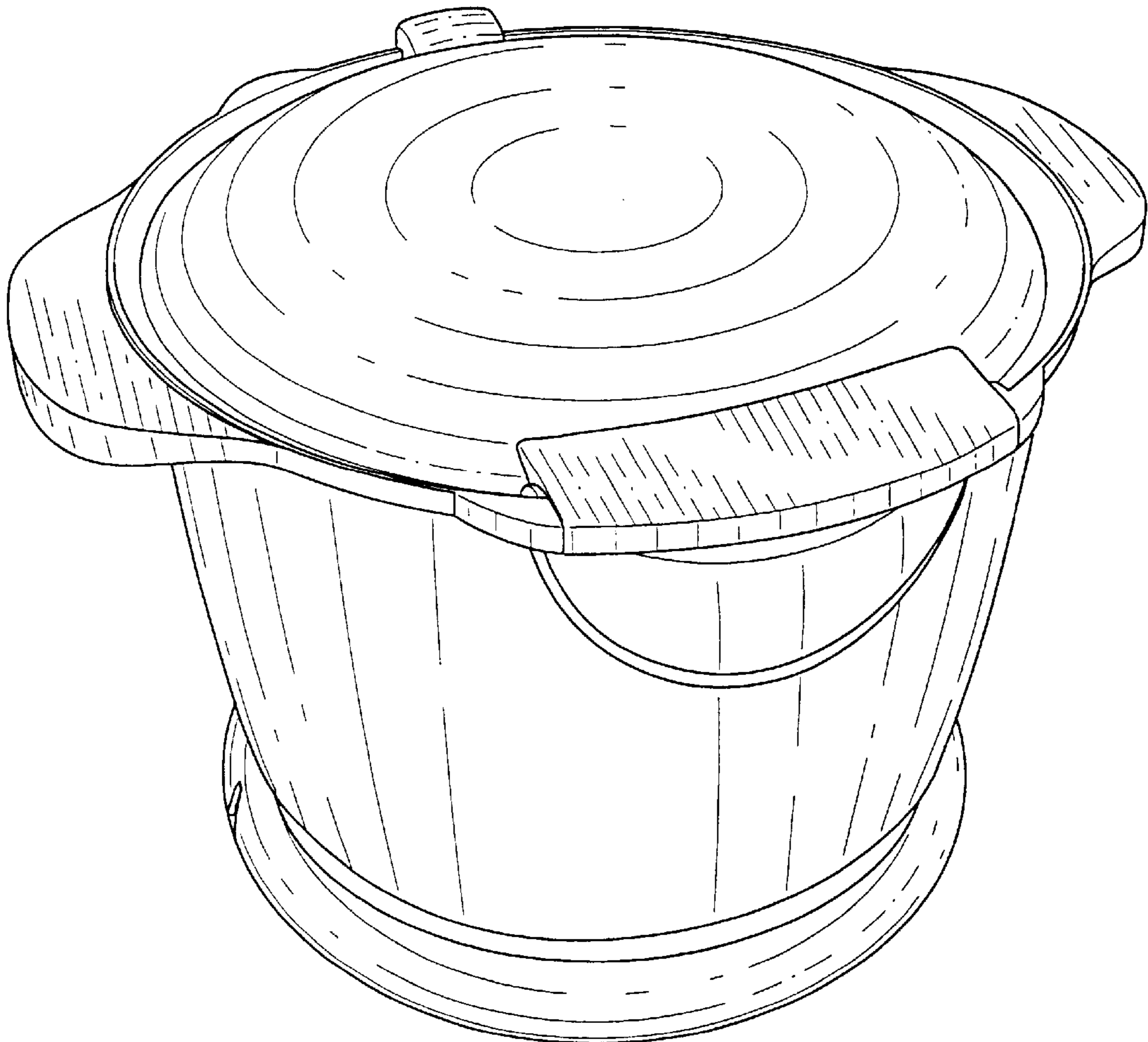
(57) **CLAIM**

The ornamental design for a deep fryer, as shown.

DESCRIPTION

FIG. 1 is a perspective view showing my design;
FIG. 2 is a front elevational view thereof;
FIG. 3 is a rear elevational view thereof;
FIG. 4 is a right side elevational view thereof;
FIG. 5 is a left side elevational view thereof;
FIG. 6 is a top plan view thereof; and,
FIG. 7 is a bottom plan view thereof.

1 Claim, 5 Drawing Sheets



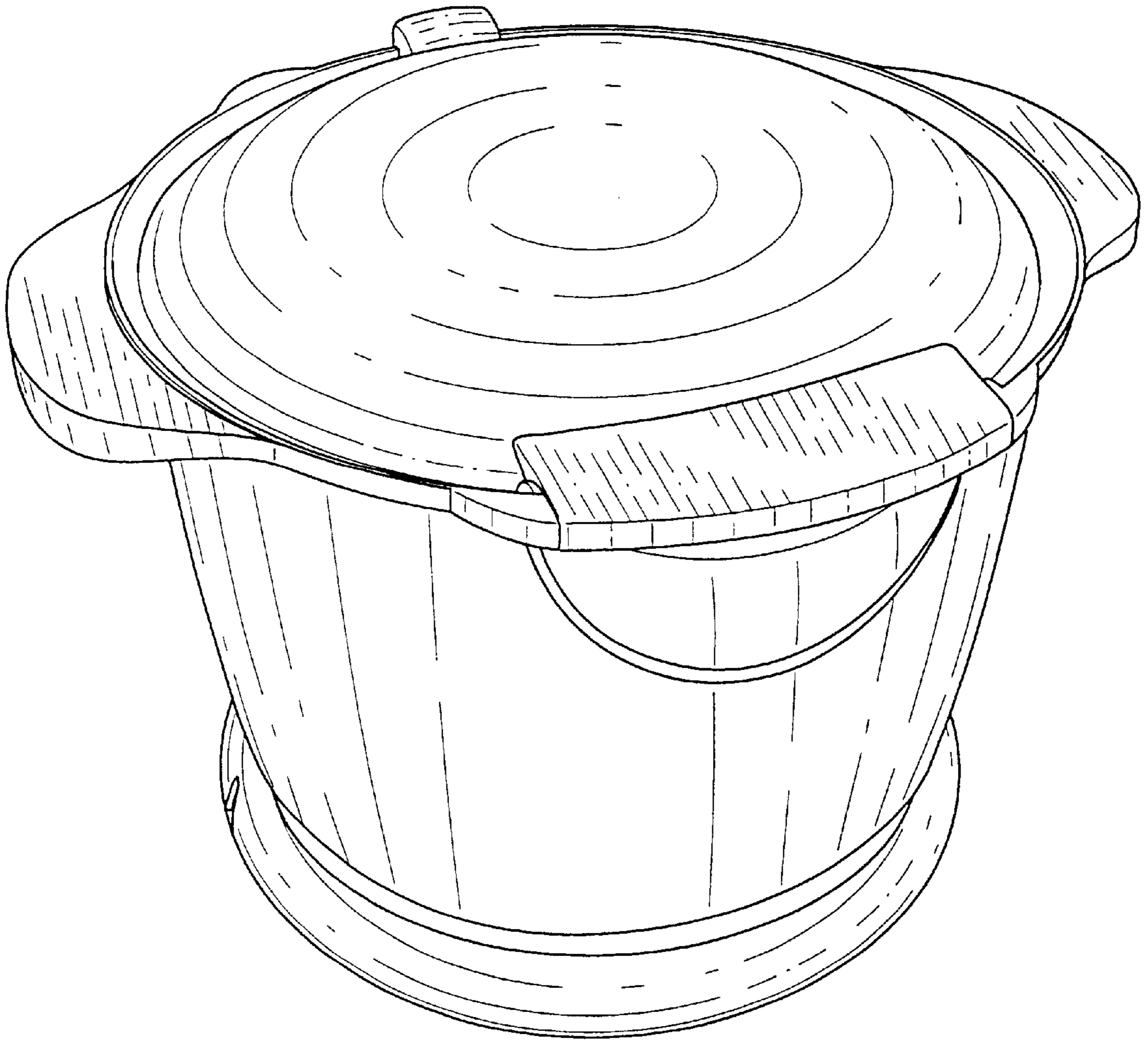


FIG. 1

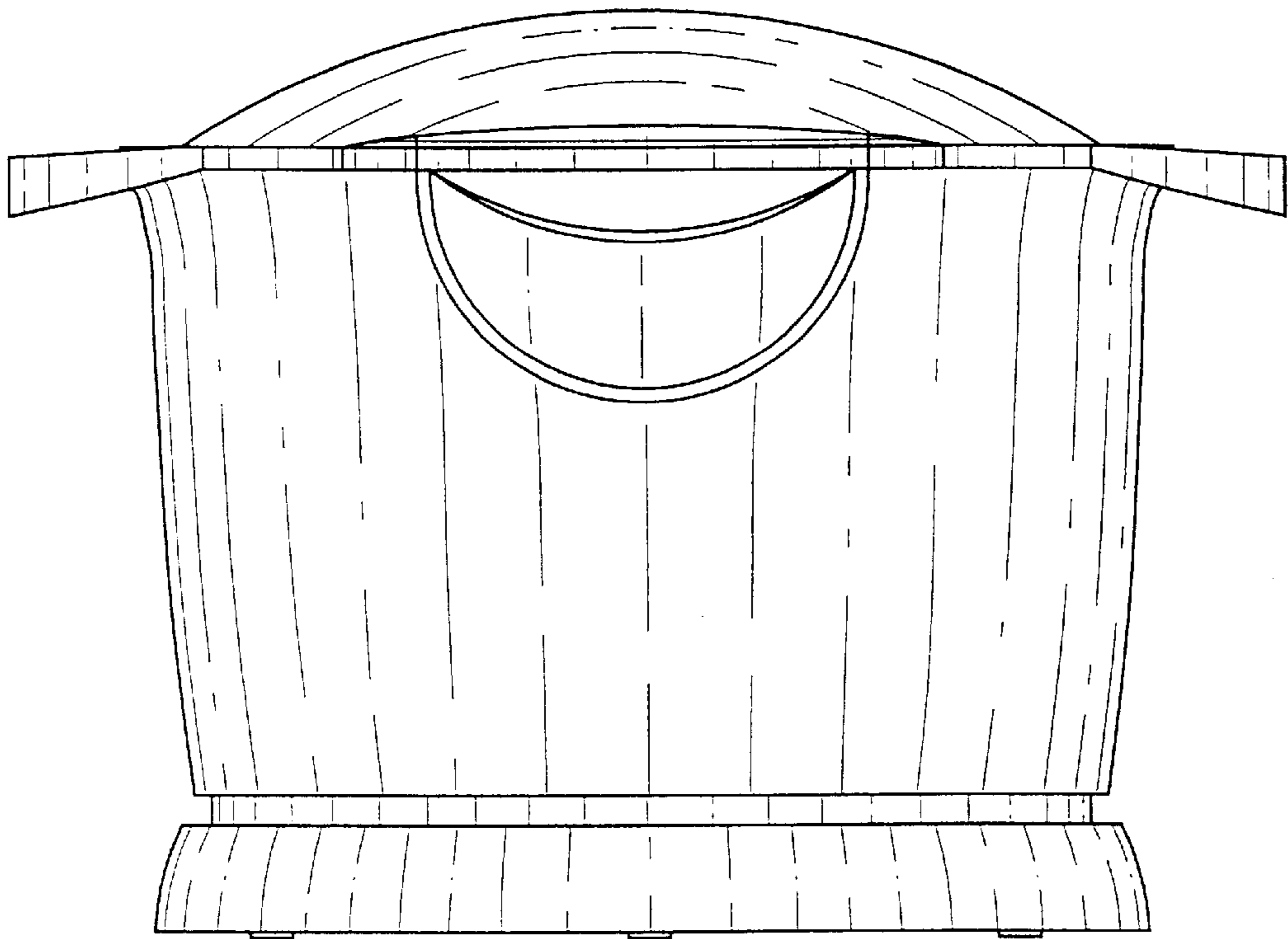


FIG. 2

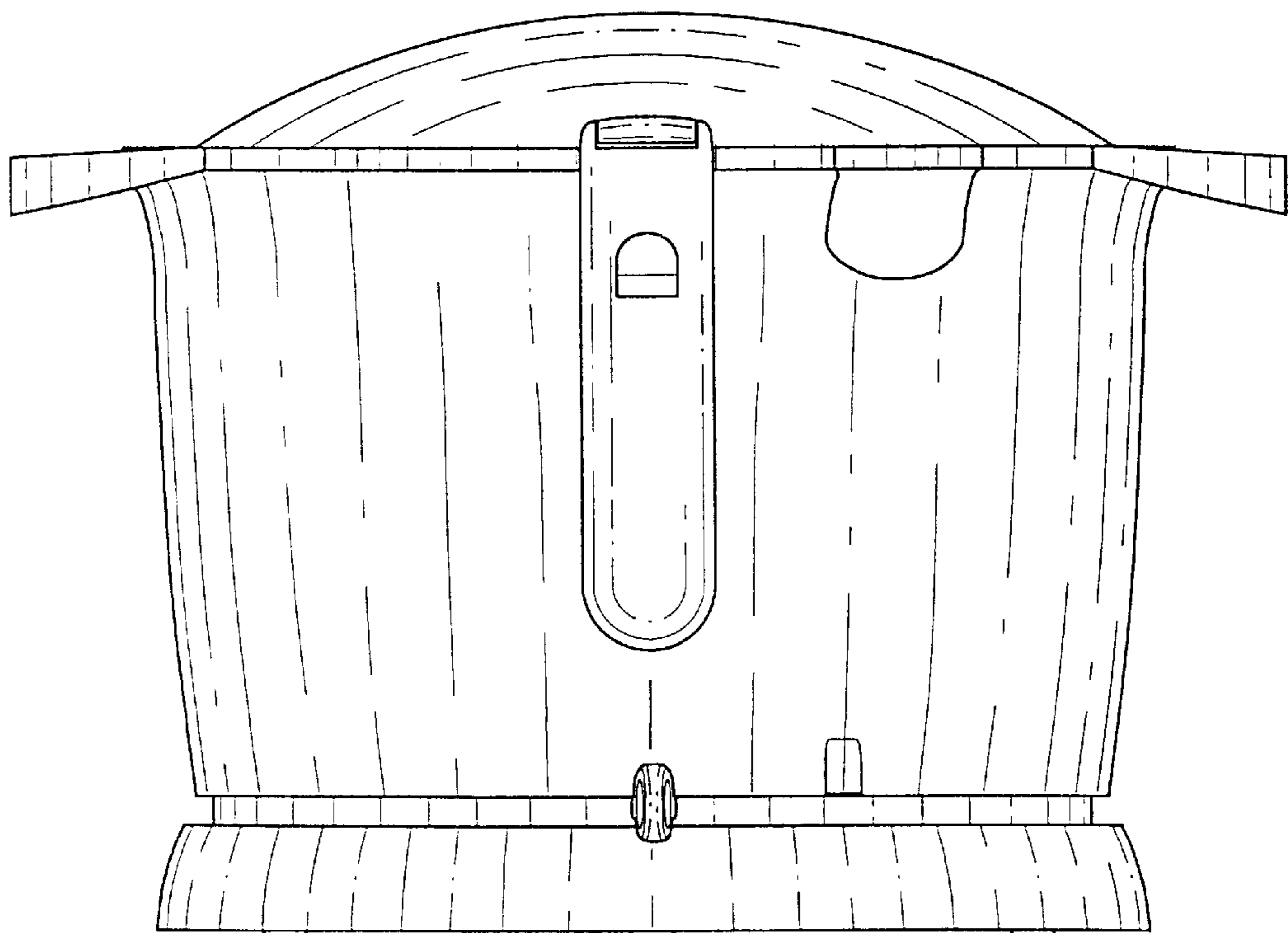


FIG. 3

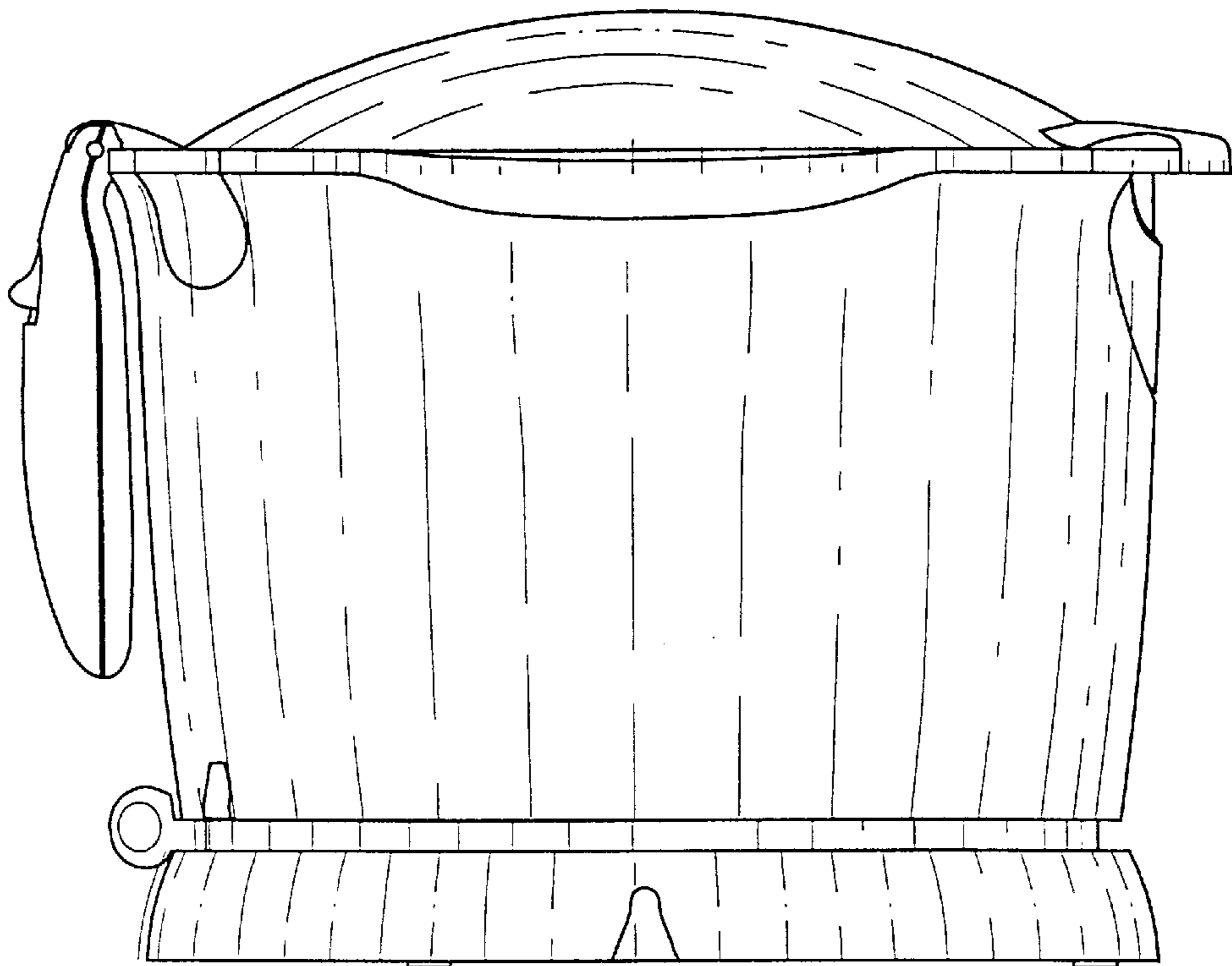


FIG. 4

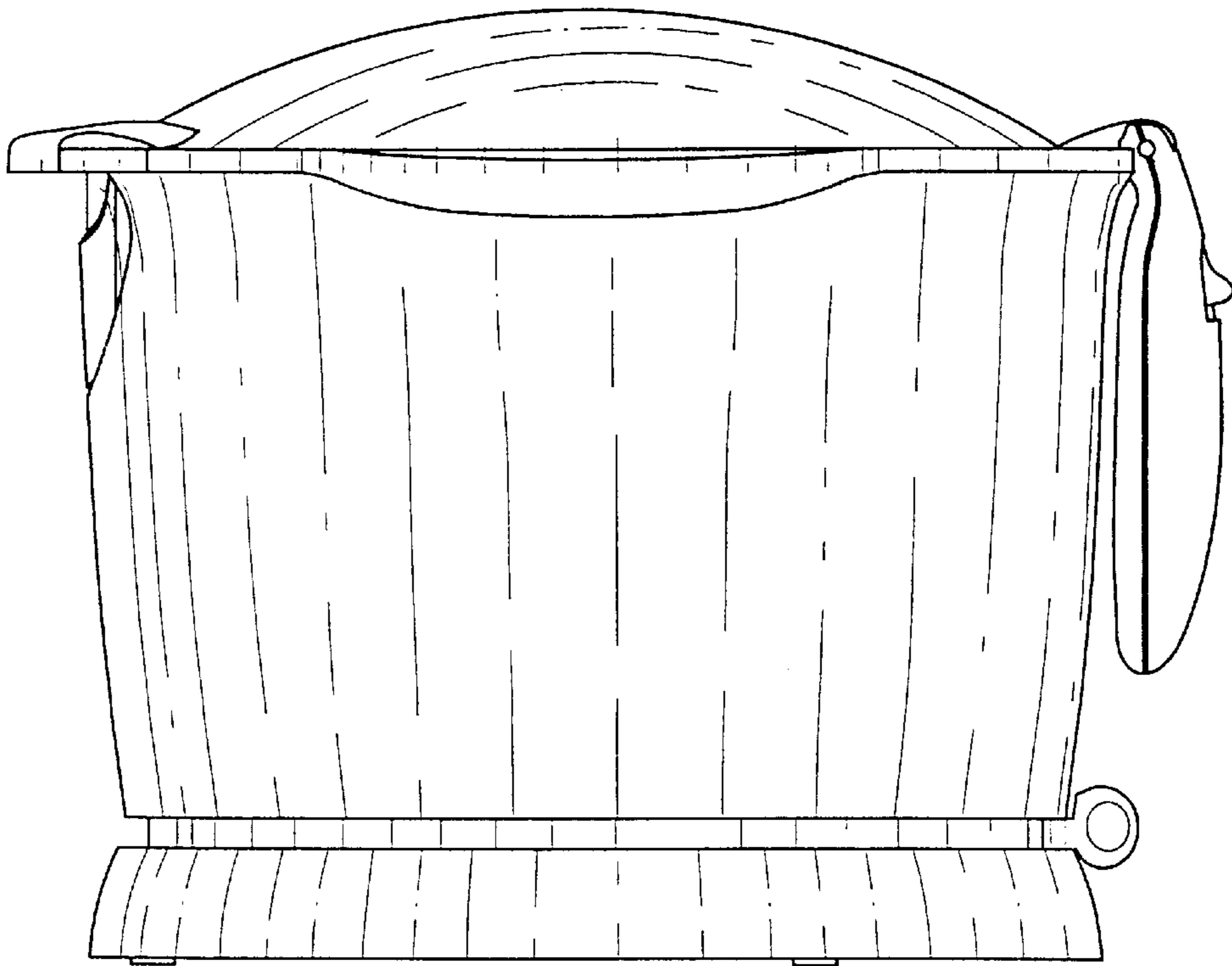


FIG. 5

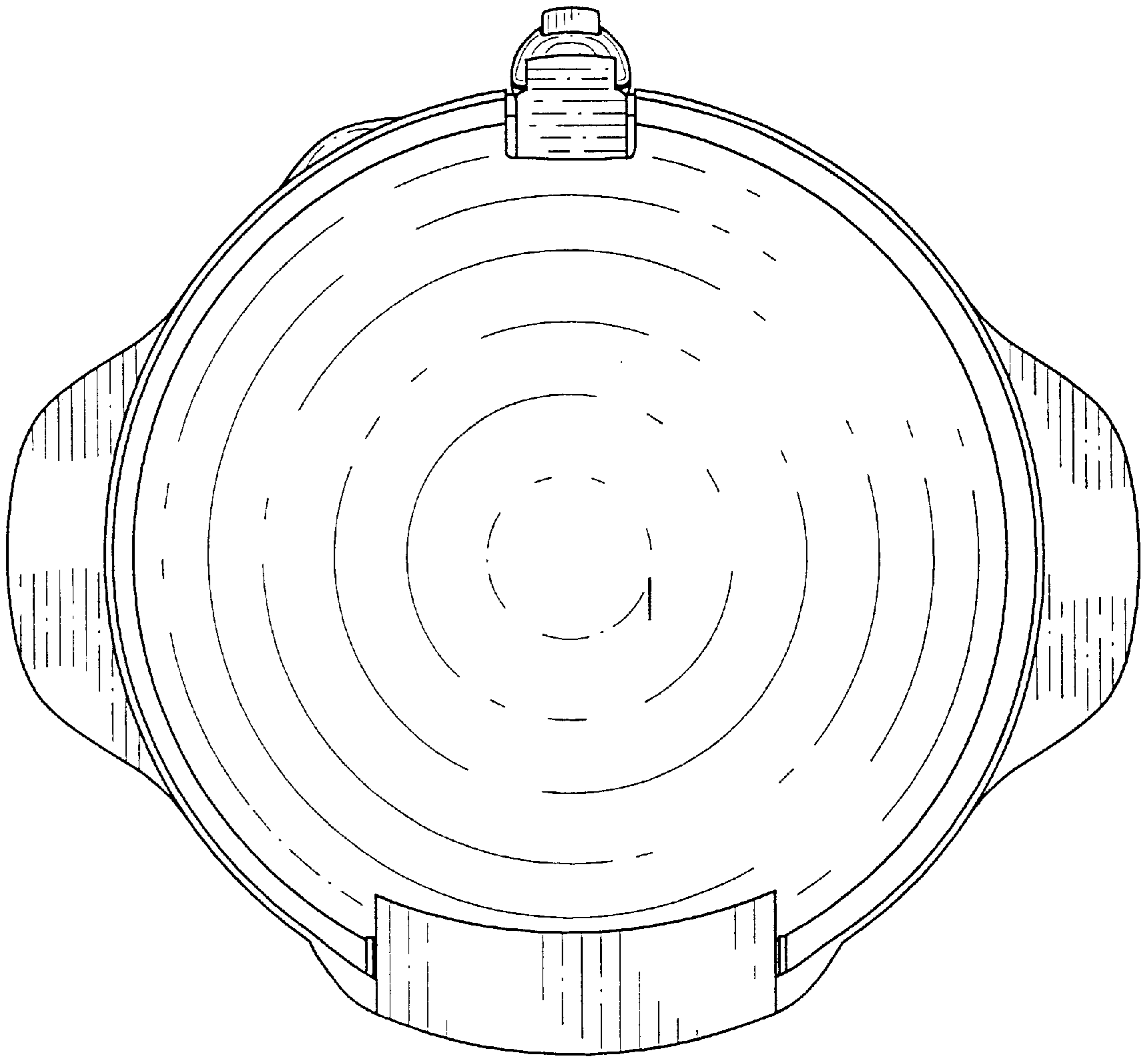


FIG. 6

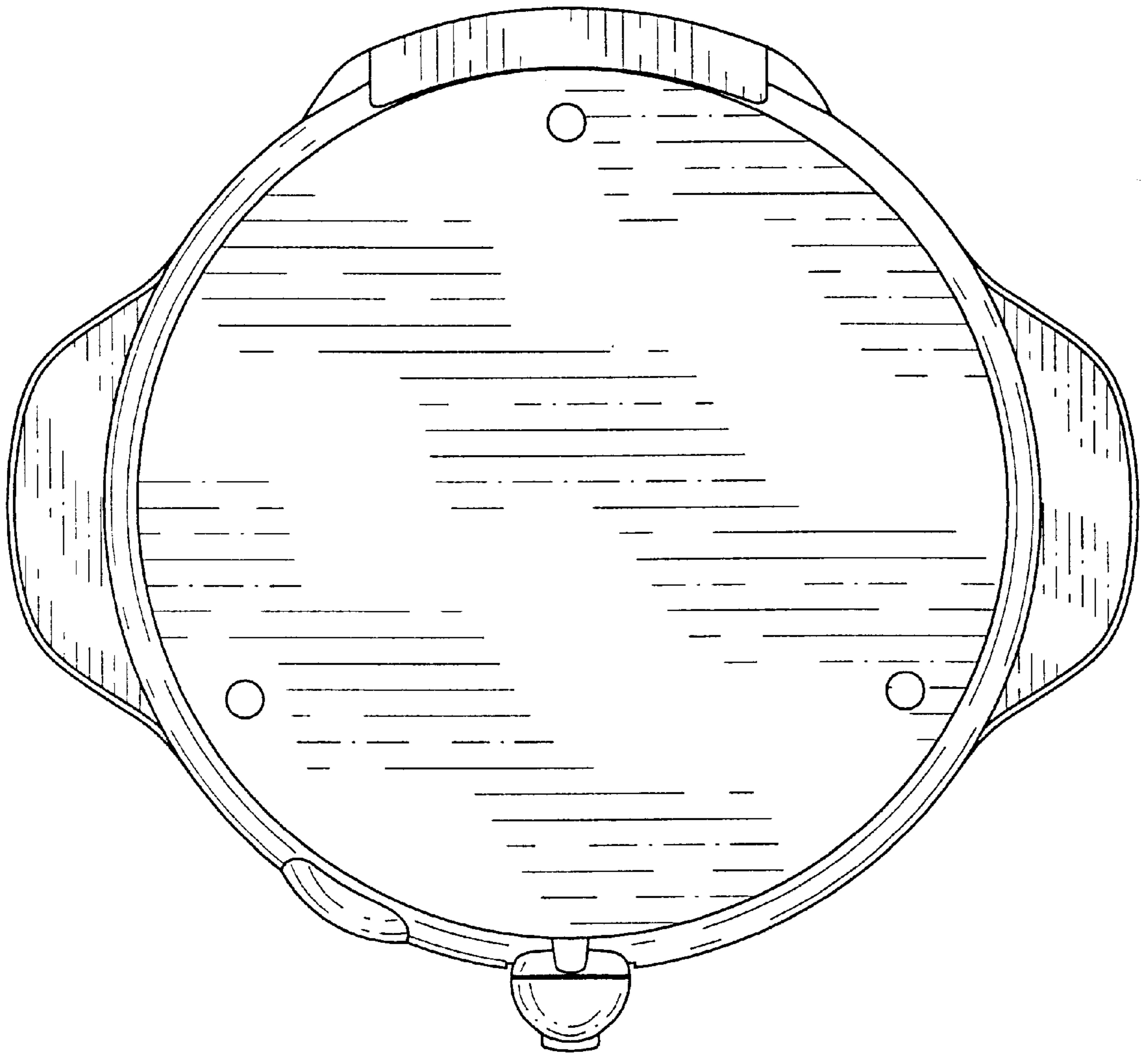


FIG. 7