



US00D458505S

(12) **United States Design Patent**
Bodum

(10) **Patent No.:** **US D458,505 S**
(45) **Date of Patent:** **** Jun. 11, 2002**

(54) **COFFEE MAKER**
(75) Inventor: **Jørgen Bodum, Niklausen (CH)**
(73) Assignee: **PI-Design AG, Triengen (CH)**
(**) Term: **14 Years**
(21) Appl. No.: **29/148,649**
(22) Filed: **Sep. 26, 2001**

D386,040 S * 11/1997 Joergensen D7/317
D405,641 S * 2/1999 Brady D7/319
D405,642 S * 2/1999 Toriba D7/319
D410,170 S * 5/1999 Sheu D7/319
D413,480 S * 9/1999 Joergensen D7/317
D441,248 S * 5/2001 Brady D7/319
D448,601 S * 10/2001 Yeh D7/319
D448,602 S * 10/2001 Bodum D7/319
D448,603 S * 10/2001 Yeh D7/319
D449,760 S * 10/2001 Yeh D7/319
D449,957 S * 11/2001 Yeh D7/319

(30) **Foreign Application Priority Data**
Apr. 6, 2001 (DK) MA 2001 00384
(51) **LOC (7) Cl.** **07-01**
(52) **U.S. Cl.** **D7/319; D7/317**
(58) **Field of Search** D7/316, 312, 317,
D7/318, 319, 310; 215/396; 206/446; 99/319;
366/256

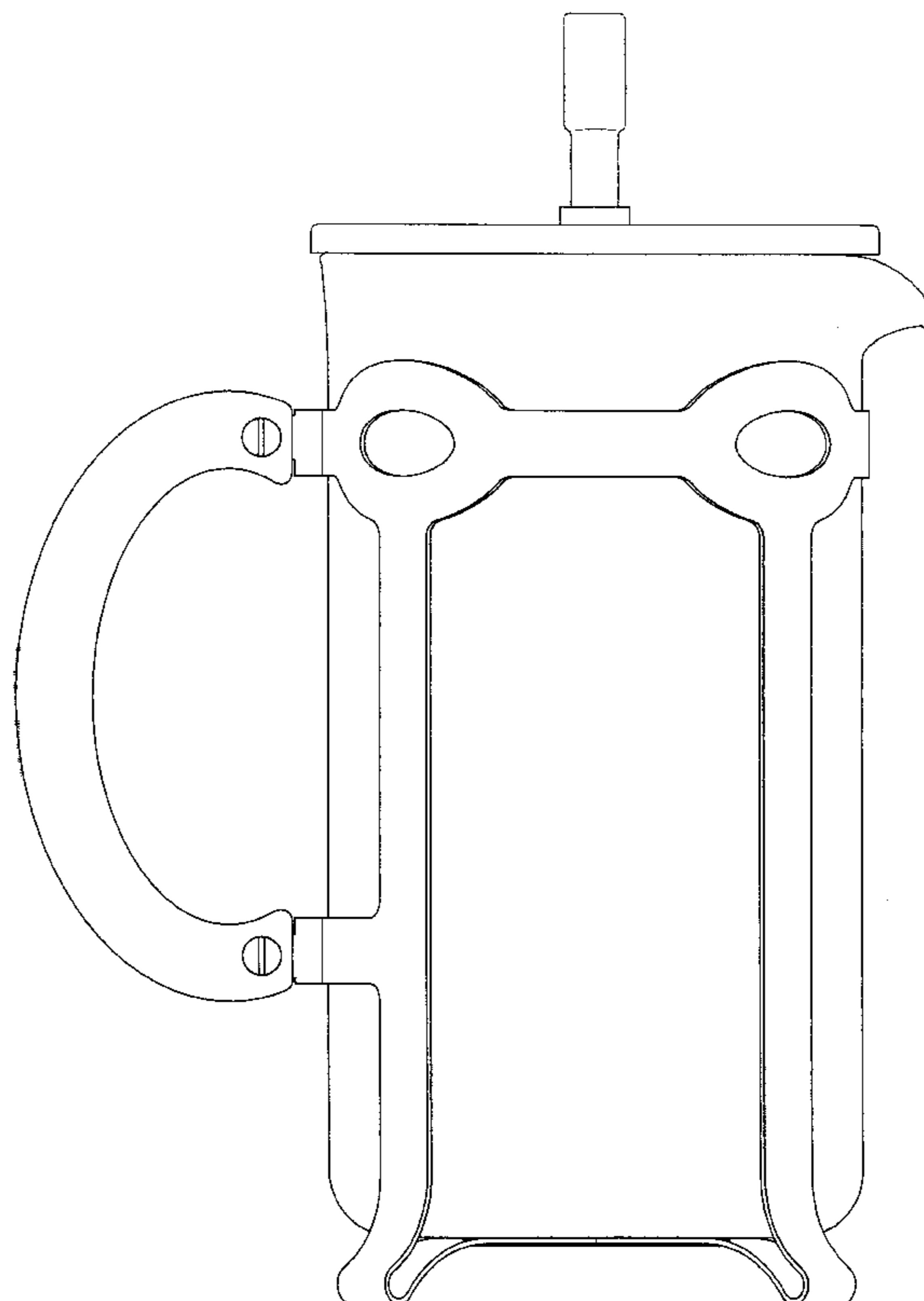
* cited by examiner
Primary Examiner—M. N. Pandozzi
(74) *Attorney, Agent, or Firm*—Nath & Associates PLLC;
Gary M. Nath

(56) **References Cited**
U.S. PATENT DOCUMENTS
1,782,962 A * 11/1930 Hobbs 206/446 X
4,365,544 A * 12/1982 Howitt 99/297
D342,414 S * 12/1993 Jorgensen D7/317
D343,333 S * 1/1994 Jorgensen D7/317
D372,627 S * 8/1996 Ireland D7/319
D377,132 S * 1/1997 Jorgensen D7/318
D378,261 S * 3/1997 Jorgensen D7/319
D383,639 S * 9/1997 Jorgensen D7/319
D384,540 S * 10/1997 Joergensen D7/319

(57) **CLAIM**
The ornamental design for a coffee maker, as shown and described.

DESCRIPTION
FIG. 1 is an oblique perspective view of the coffee maker; FIG. 2 is a right side view of the coffee maker, as shown in FIG. 1; FIG. 3 is a left side view of the coffee maker; FIG. 4 is a front side view of the coffee maker; FIG. 5 is a back side view of the coffee maker; FIG. 6 is a top view of the coffee maker; and, FIG. 7 is a bottom view of the coffee maker.

1 Claim, 7 Drawing Sheets



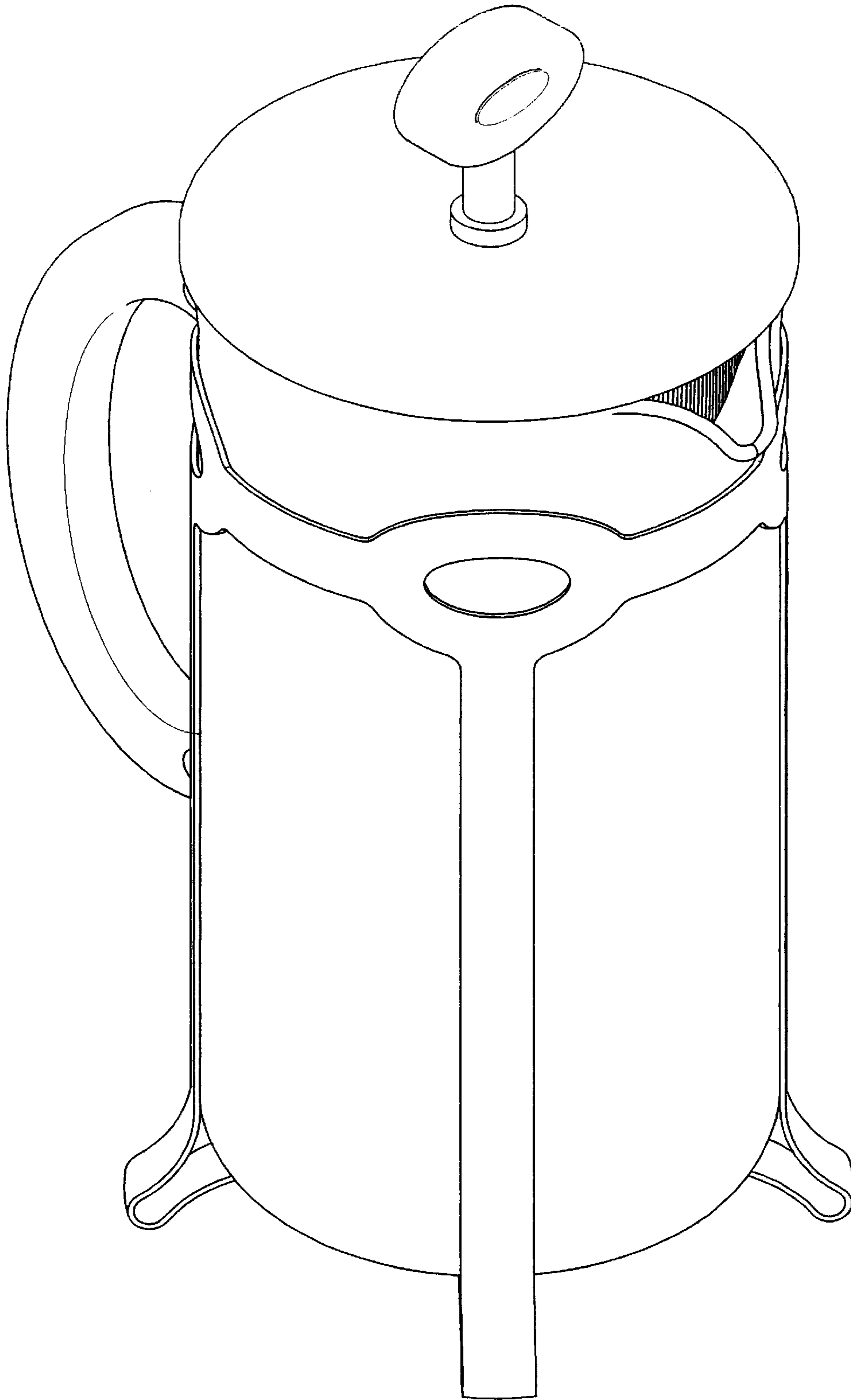


Fig. 1

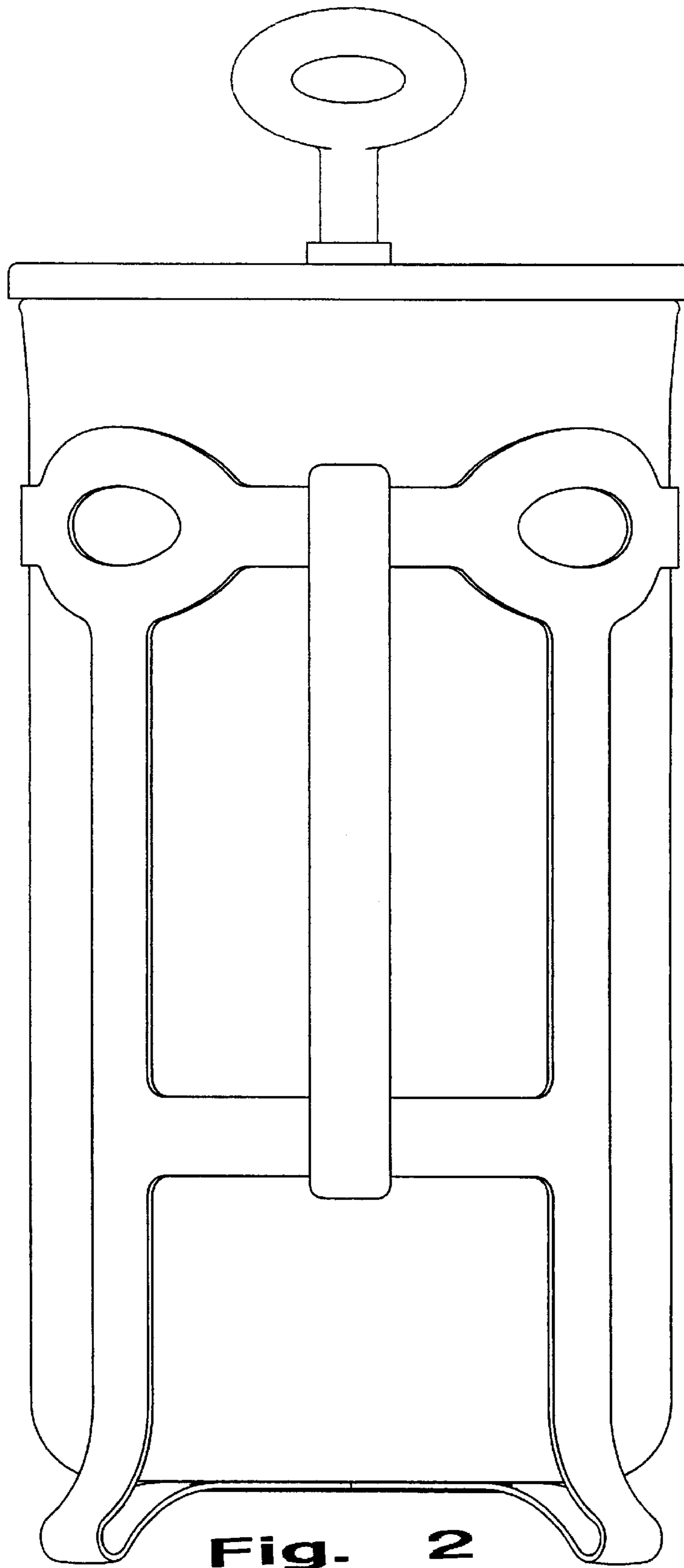


Fig. 2

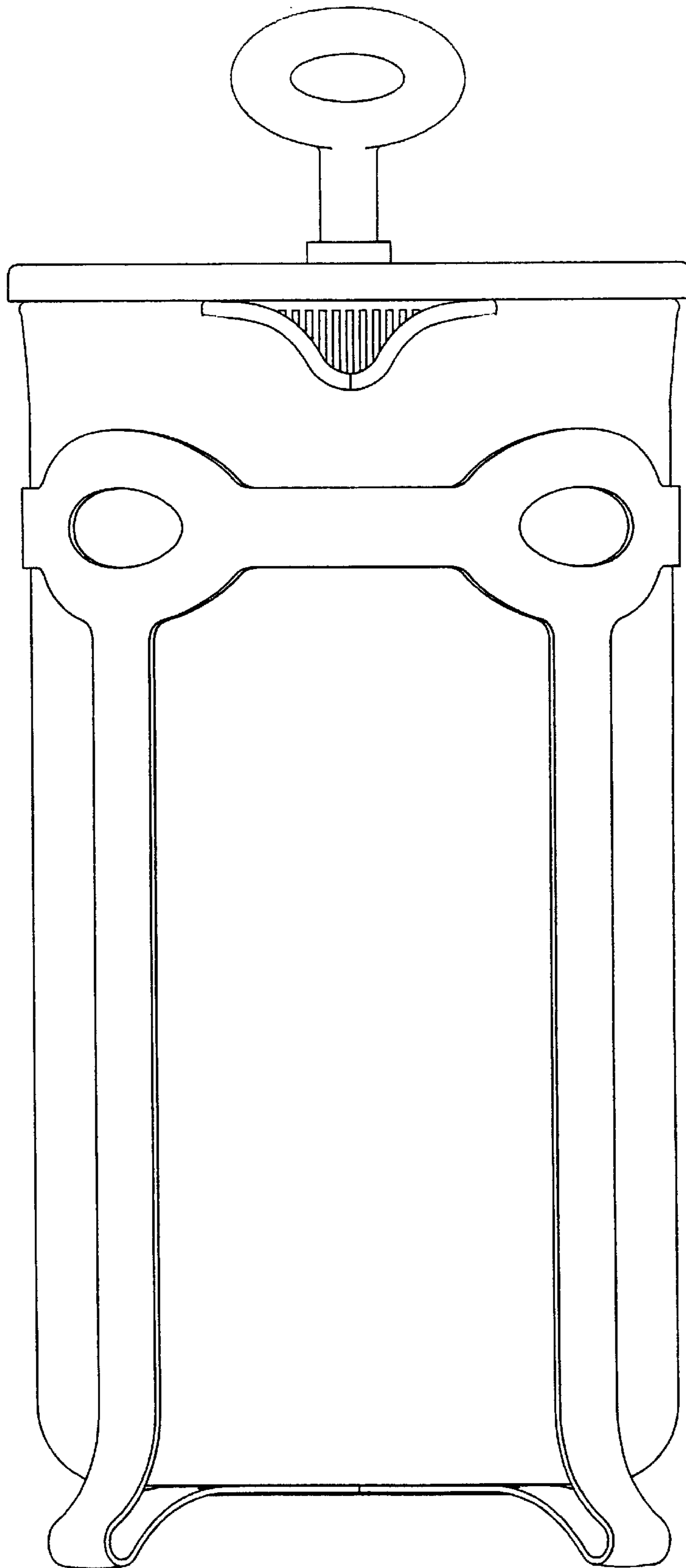


Fig. 3

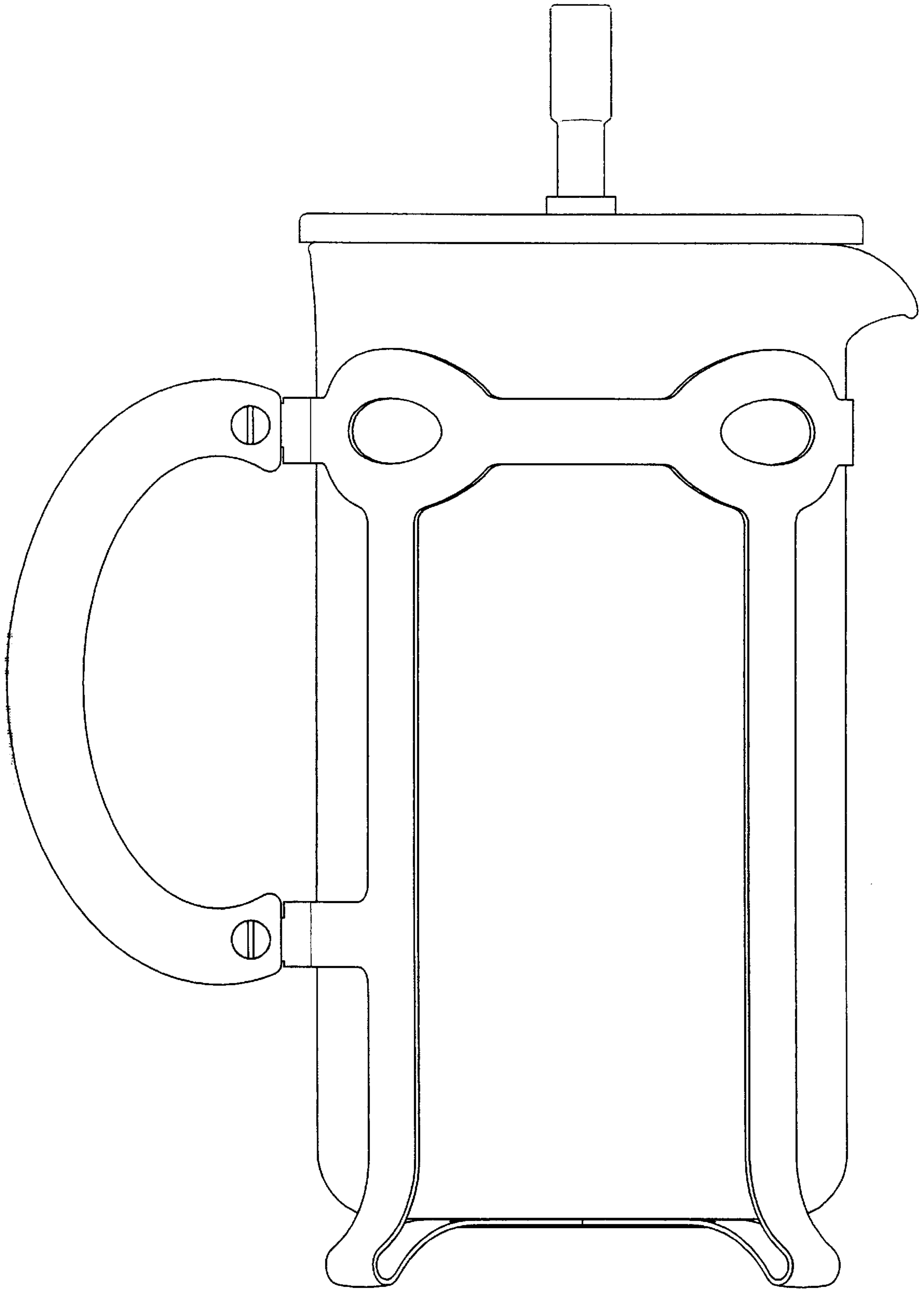


Fig. 4

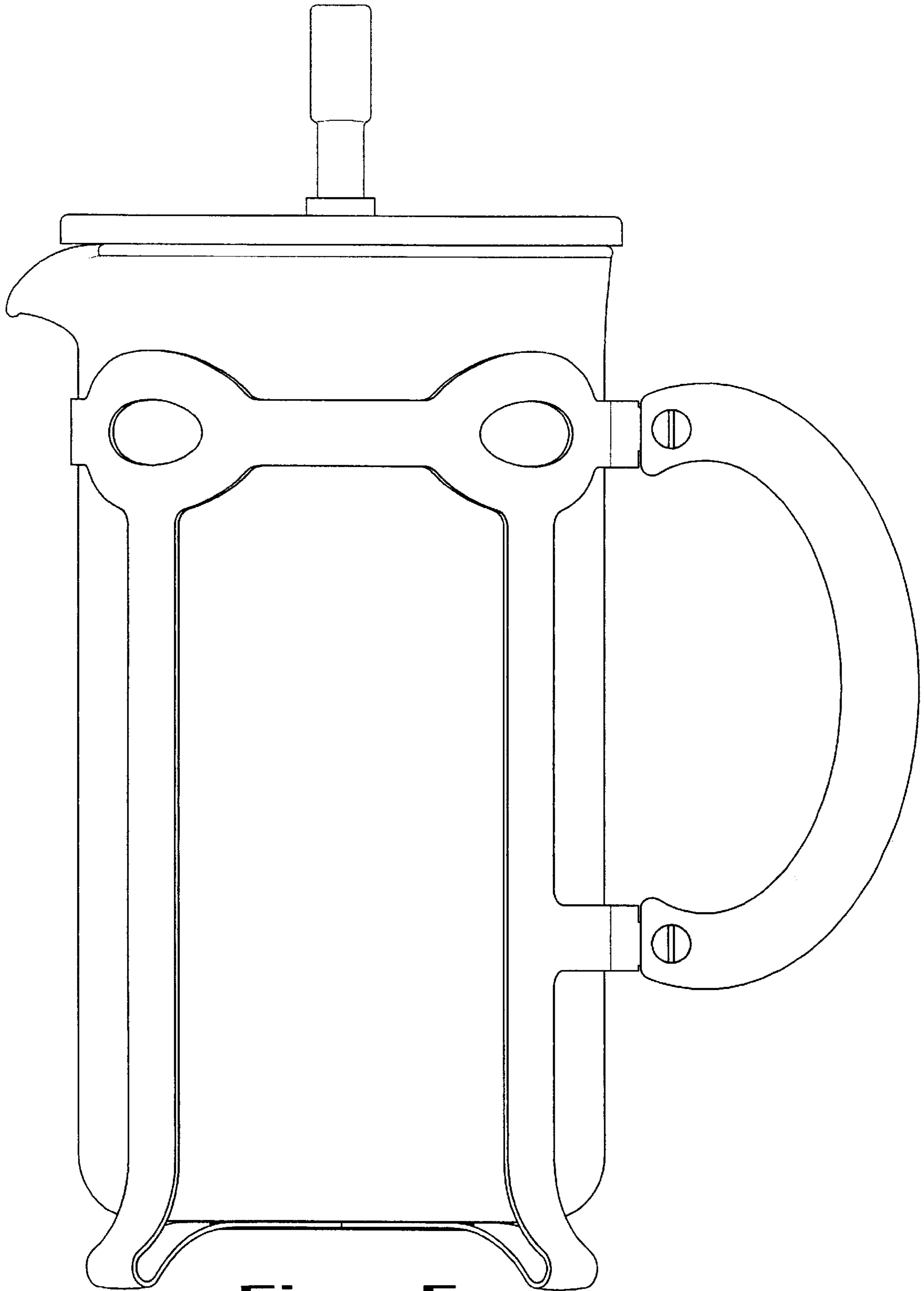


Fig. 5

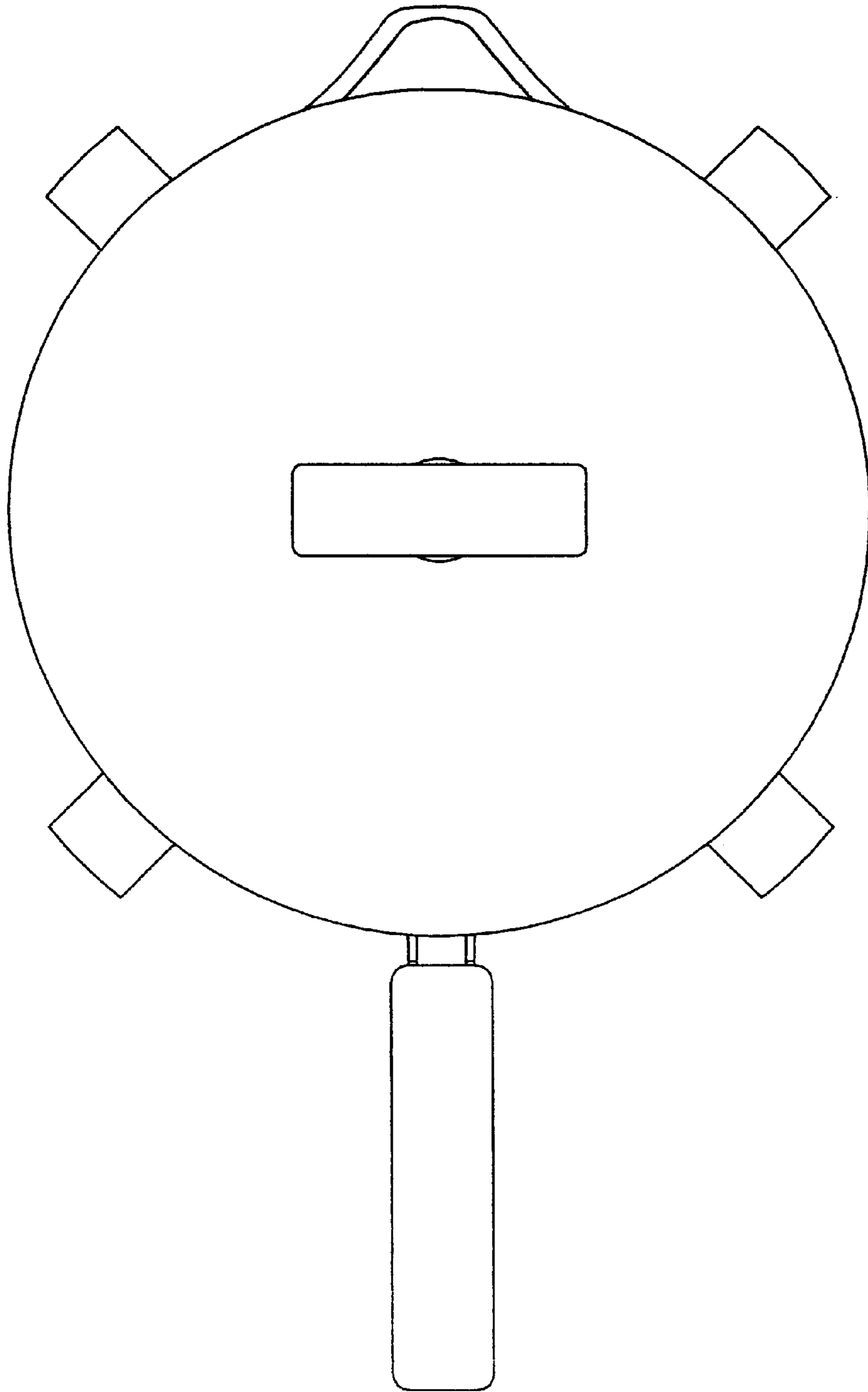


Fig. 6

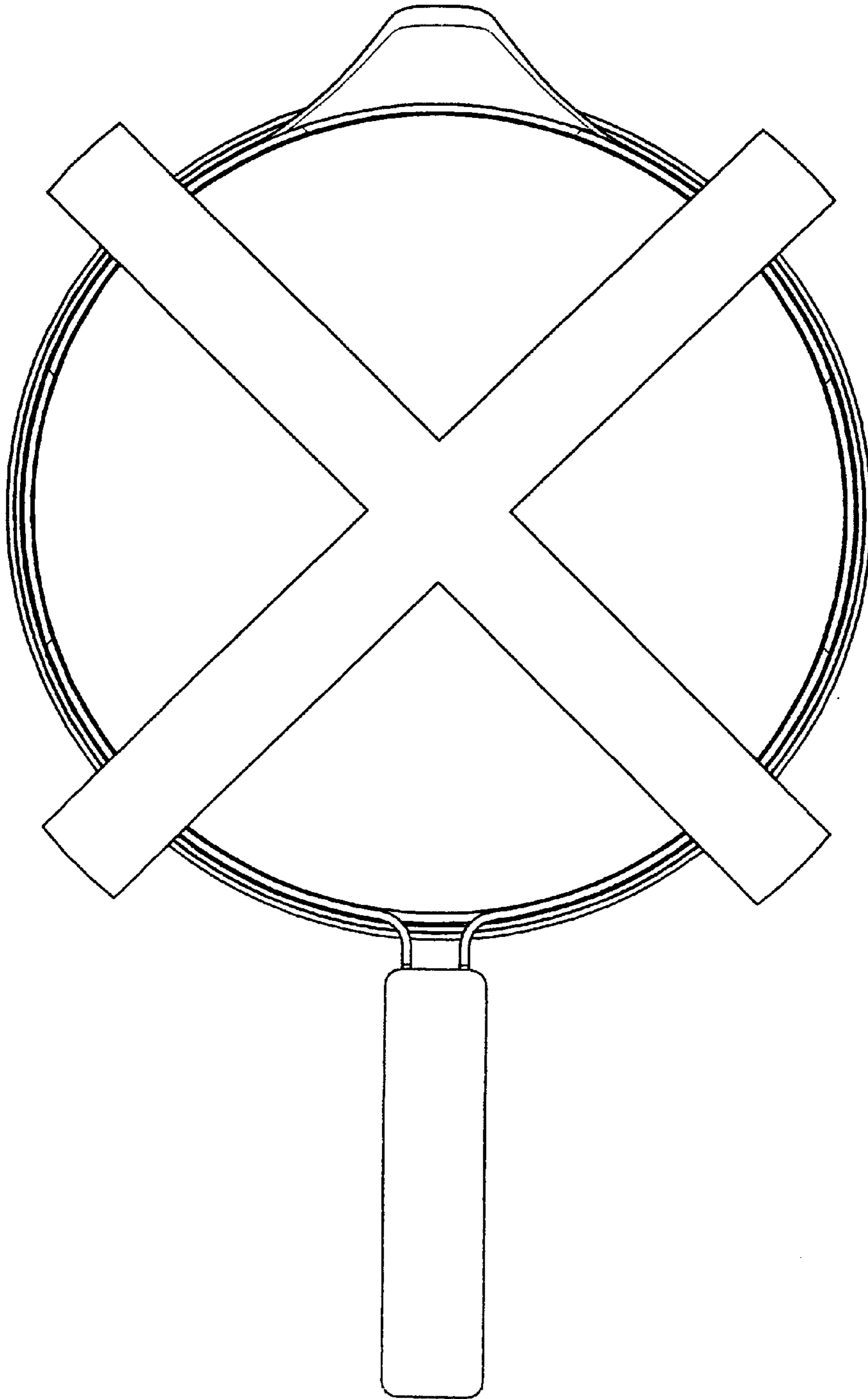


Fig. 7