



US00D458501S

(12) **United States Design Patent**  
**Battaglia, Jr. et al.**

(10) **Patent No.:** **US D458,501 S**

(45) **Date of Patent:** **\*\* Jun. 11, 2002**

(54) **DISPLAY ARMS ASSEMBLY**

D381,854 S \* 8/1997 Moeller et al. .... D6/566

(75) Inventors: **Joseph M. Battaglia, Jr.**, Frisco; **Denis Peter Gibney**, Dallas, both of TX (US); **Frederick David Lindsay**, Hendersonville, NC (US); **Reggie Wayne Stubblefield**, Garland, TX (US)

\* cited by examiner

*Primary Examiner*—Brian N. Vinson  
(74) *Attorney, Agent, or Firm*—Colin P. Cahoon; Carstens, Yee & Cahoon, LLP

(73) Assignee: **Recot, Inc.**, Pleasanton, CA (US)

(57) **CLAIM**

(\*\*) Term: **14 Years**

The ornamental design for a display arms assembly, as shown.

(21) Appl. No.: **29/152,323**

**DESCRIPTION**

(22) Filed: **Dec. 17, 2001**

FIG. 1 is a perspective view of the display arms assembly of the present invention;  
FIG. 2 is a front elevation view of the display arms assembly of the present invention;  
FIG. 3 is a rear elevation view of the display arms assembly of the present invention;  
FIG. 4 is a right elevation view of the display arms assembly of the present invention, with the left elevation view a mirror image of the right elevation view;  
FIG. 5 is a top plan view of the display arms assembly of the present invention; and,  
FIG. 6 is a bottom plan view of the display arms assembly of the present invention.

(51) **LOC (7) Cl.** ..... **06-04**

(52) **U.S. Cl.** ..... **D6/566**

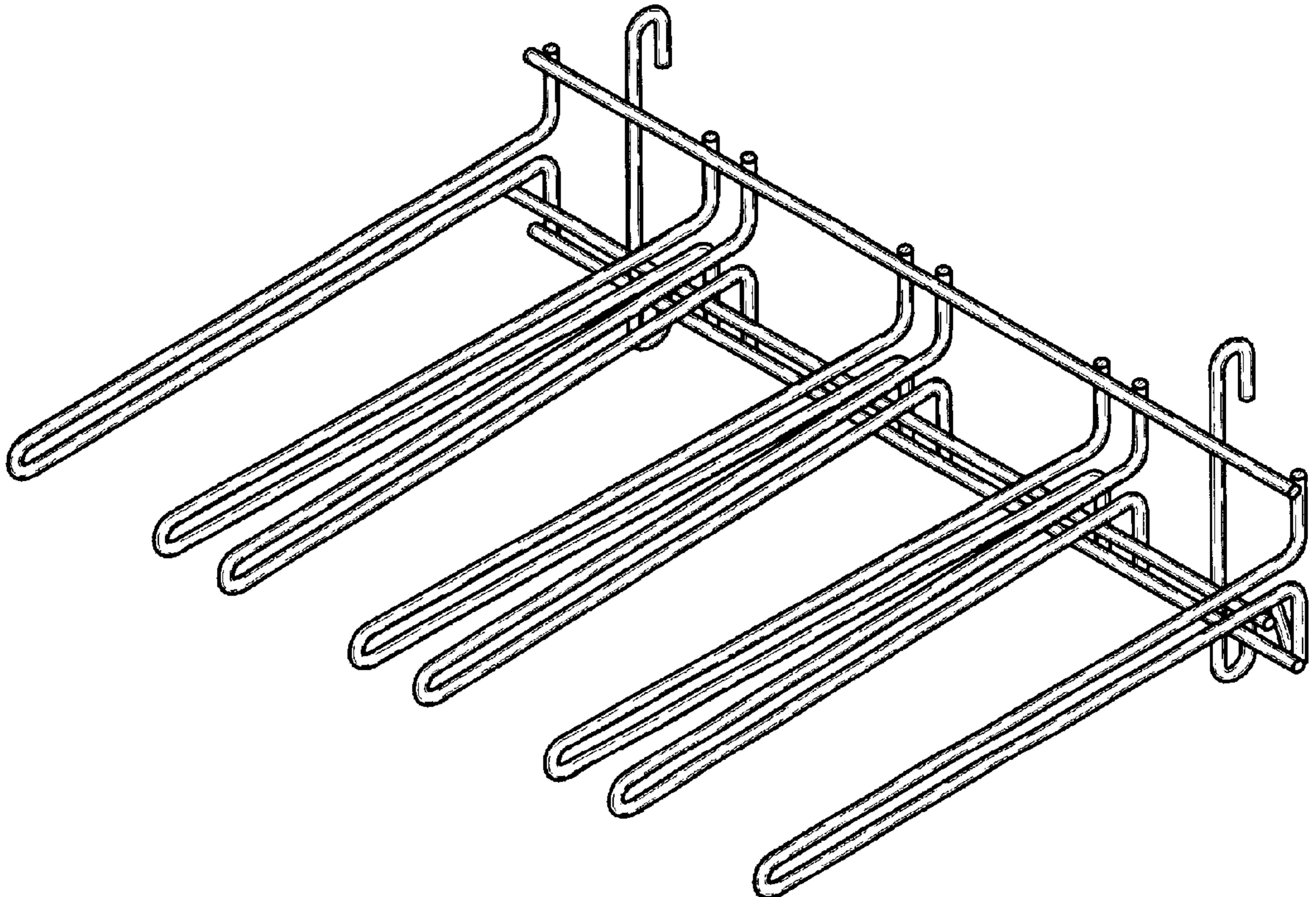
(58) **Field of Search** ..... D6/553, 566, 567;  
211/13.1, 17-18, 22, 35, 41.1, 41.3, 41.4,  
706, 87.01, 100, 106, 181.1; 248/251, 302,  
304, 309.2

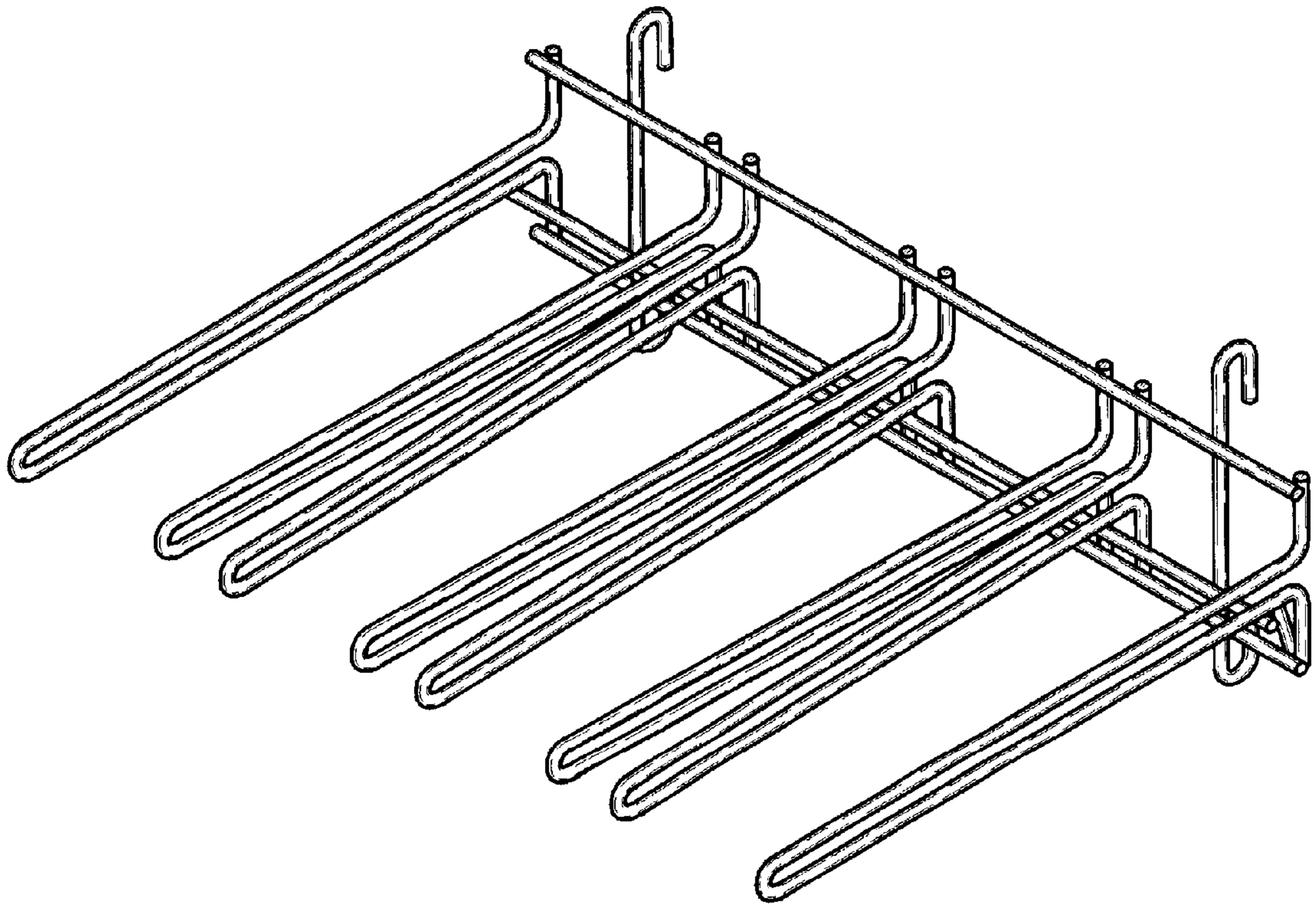
(56) **References Cited**

**U.S. PATENT DOCUMENTS**

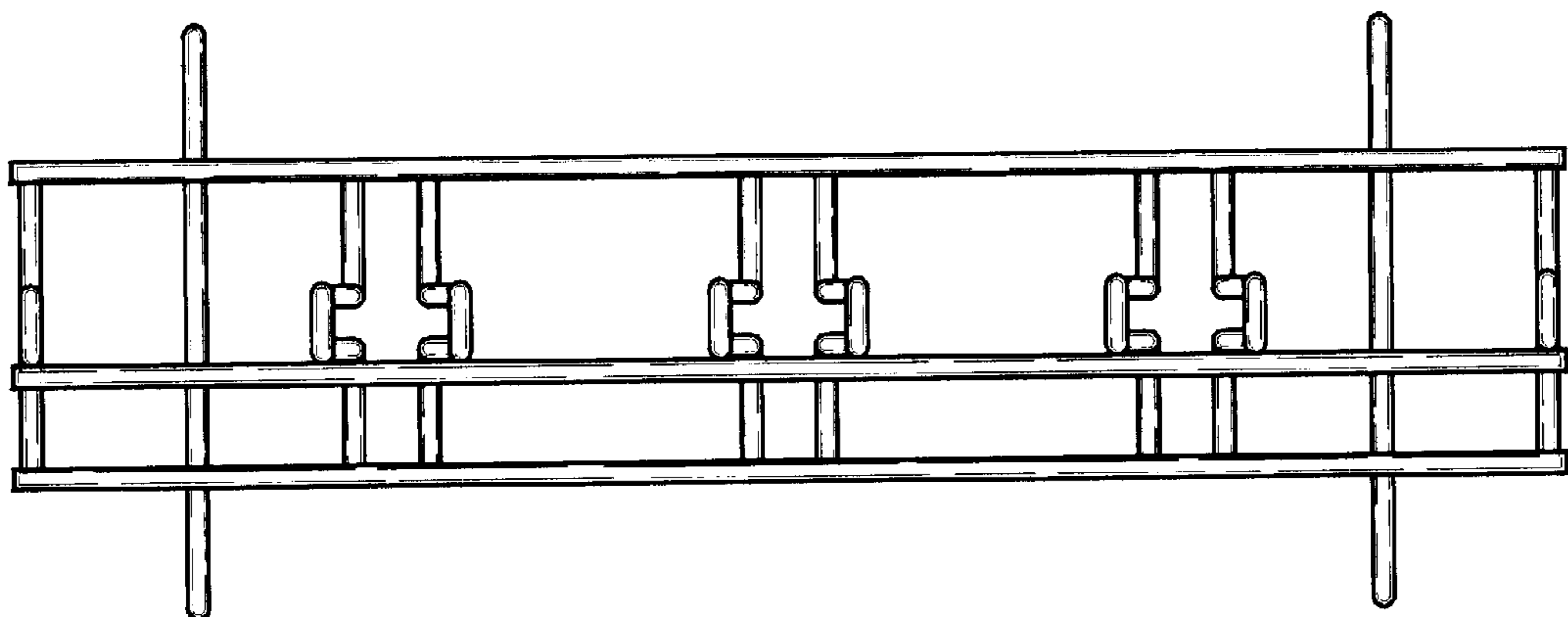
- D200,617 S \* 3/1965 Smith ..... D6/566
- D298,713 S \* 11/1988 Hinderaker et al. .... D6/566 X
- D356,916 S \* 4/1995 Chadwick ..... D6/566

**1 Claim, 3 Drawing Sheets**

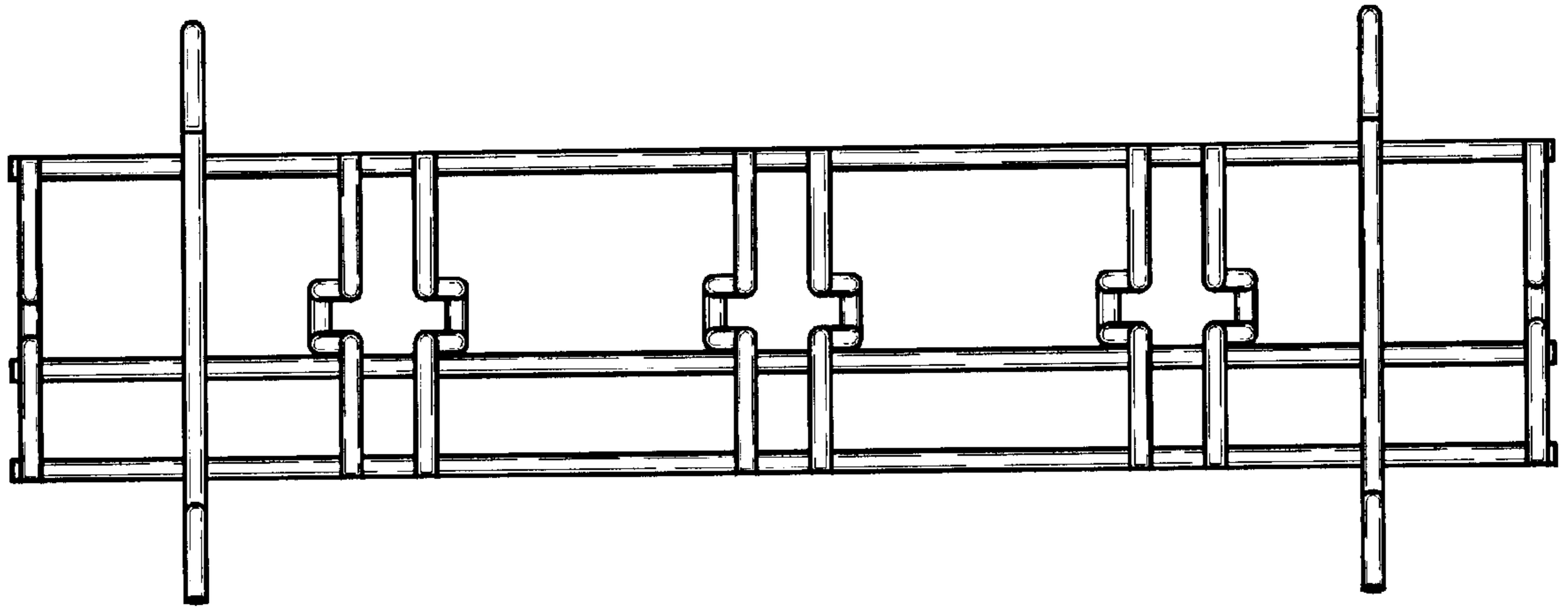




**FIG. 1**



**FIG. 2**



**FIG. 3**



**FIG. 4**

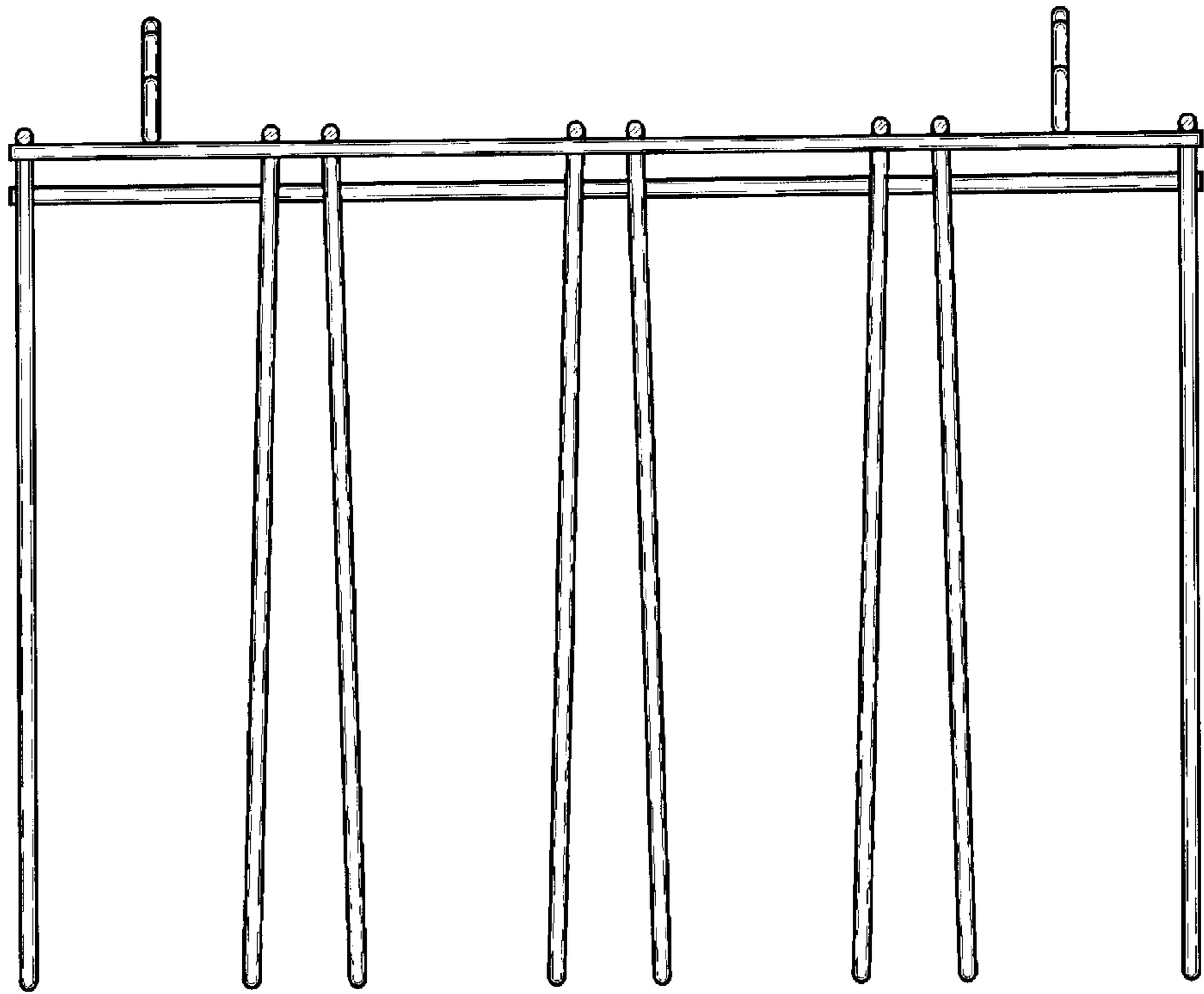


FIG. 5

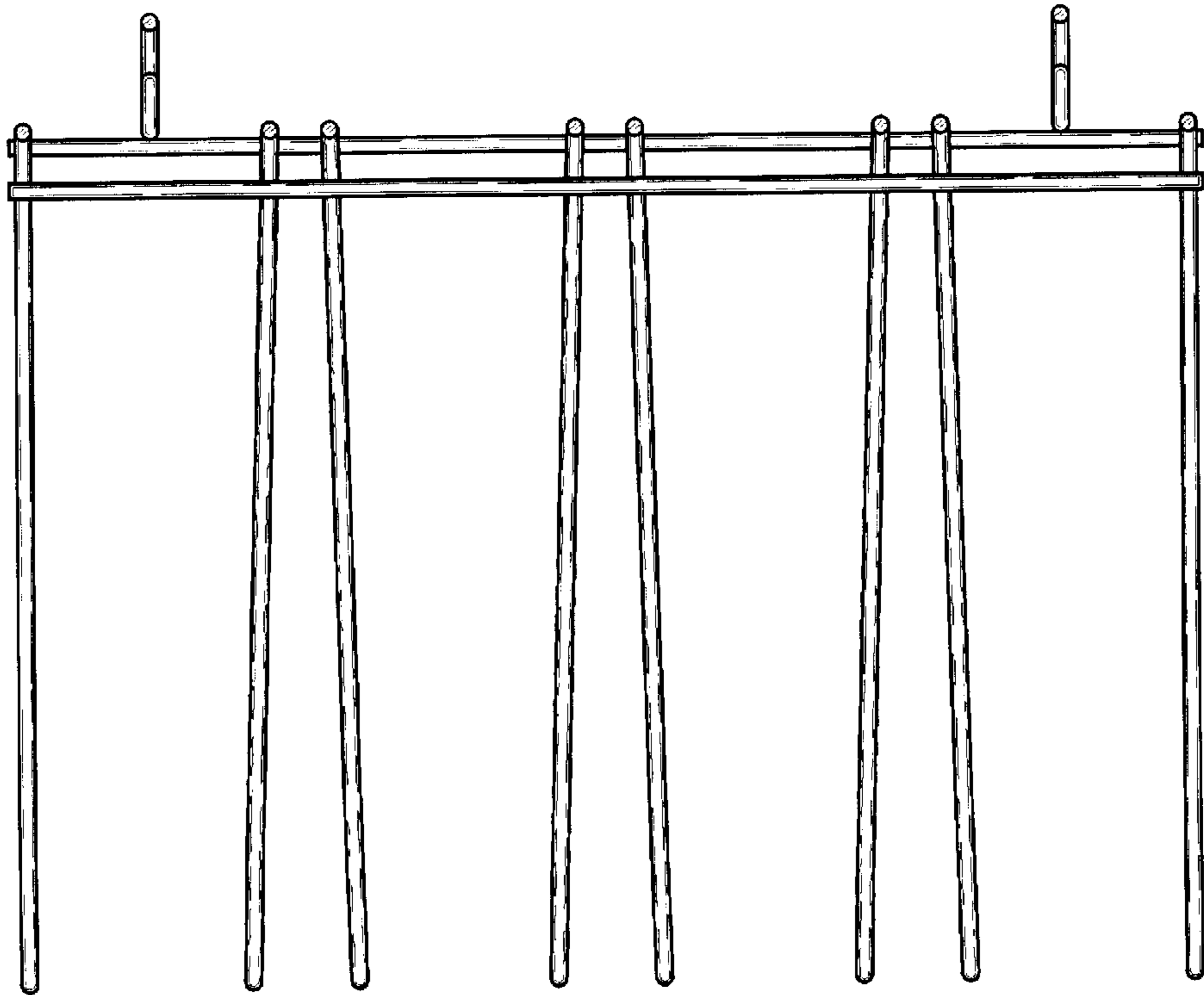


FIG. 6