



US00D458493S

(12) **United States Design Patent**
Cascio

(10) **Patent No.:** **US D458,493 S**

(45) **Date of Patent:** **** Jun. 11, 2002**

(54) **MAGNETIC SOAP HOLDER WITH TEXTURED PANEL**

(75) Inventor: **Steven S. Cascio**, Kenosha, WI (US)

(73) Assignee: **Noveletti, LLC**, Racine, WI (US)

(**) Term: **14 Years**

(21) Appl. No.: **29/152,443**

(22) Filed: **Dec. 17, 2001**

(51) **LOC (7) Cl.** **23-02**

(52) **U.S. Cl.** **D6/538**

(58) **Field of Search** D6/538; 248/309.4,
248/683, 684; 211/DIG. 1

(56) **References Cited**

U.S. PATENT DOCUMENTS

D249,207 S * 9/1978 Emmer D6/538

D341,049 S * 11/1993 Hugh D6/538

D402,146 S * 12/1998 Moosavi et al. D6/538

* cited by examiner

Primary Examiner—Brian N. Vinson

(57) **CLAIM**

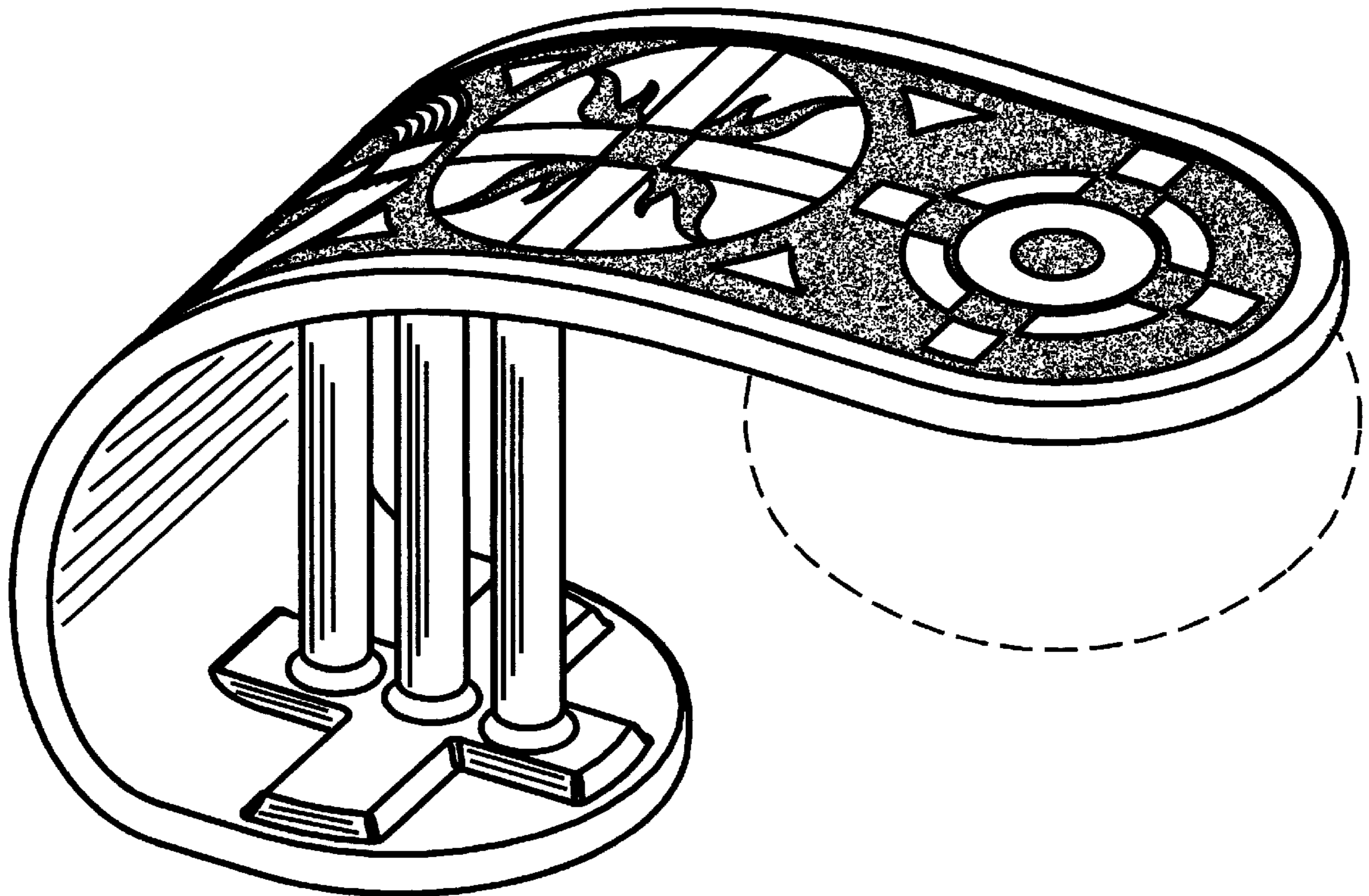
The ornamental design for magnetic soap holder with textured panel, as shown and described.

DESCRIPTION

FIG. 1 is a perspective view of a magnetic soap holder with textured panel holding a bar of soap;
FIG. 2 is the right side elevational view with the left side being a mirror image thereof;
FIG. 3 is the front elevational view thereof;
FIG. 4 is the top plan view thereof;
FIG. 5 is the back elevational view thereof; and,
FIG. 6 is the bottom plan view thereof.

The broken line showing of the bar of soap is for illustrative purposes only and forms no part of the claimed design.

1 Claim, 6 Drawing Sheets



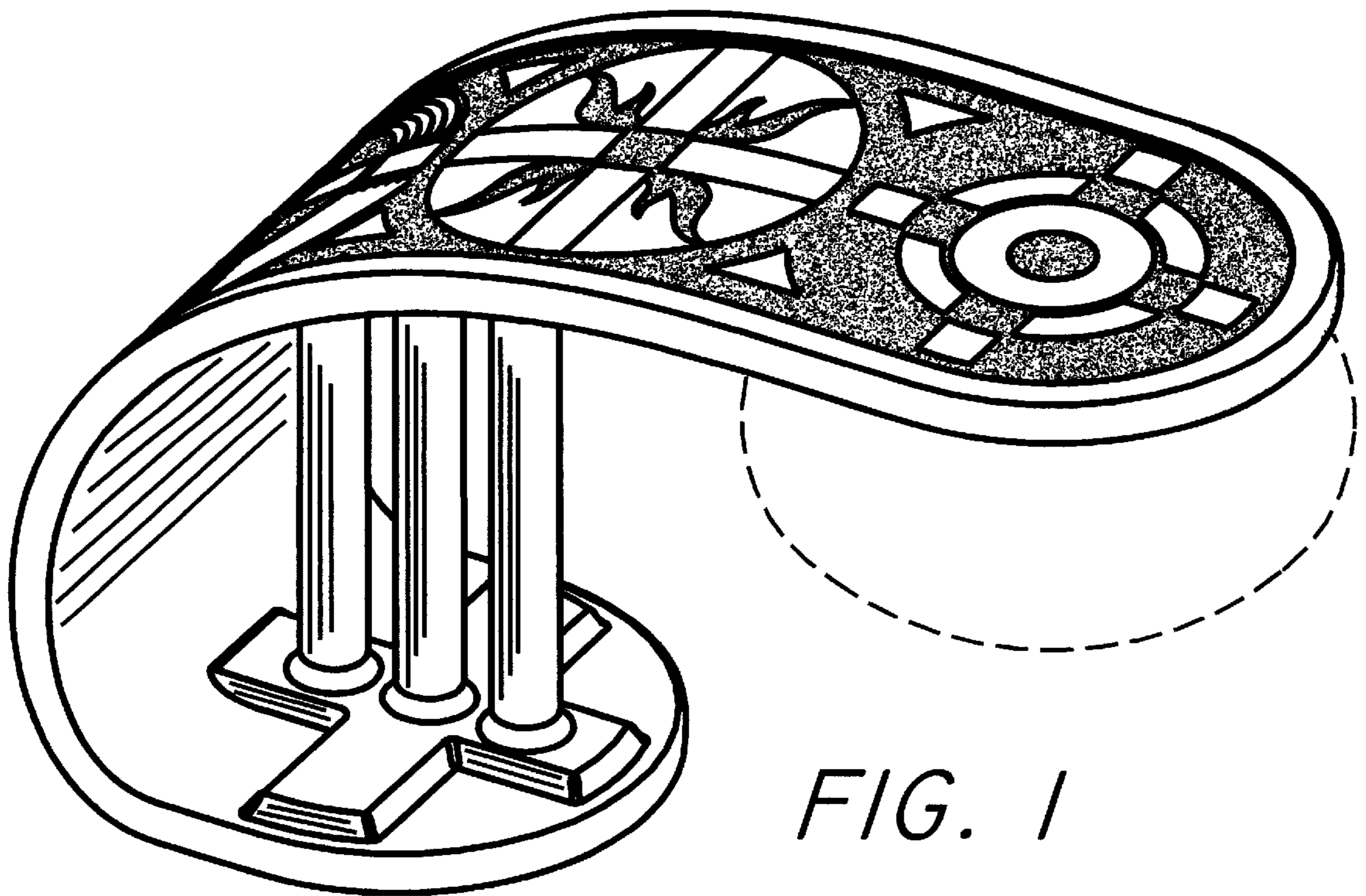


FIG. 1

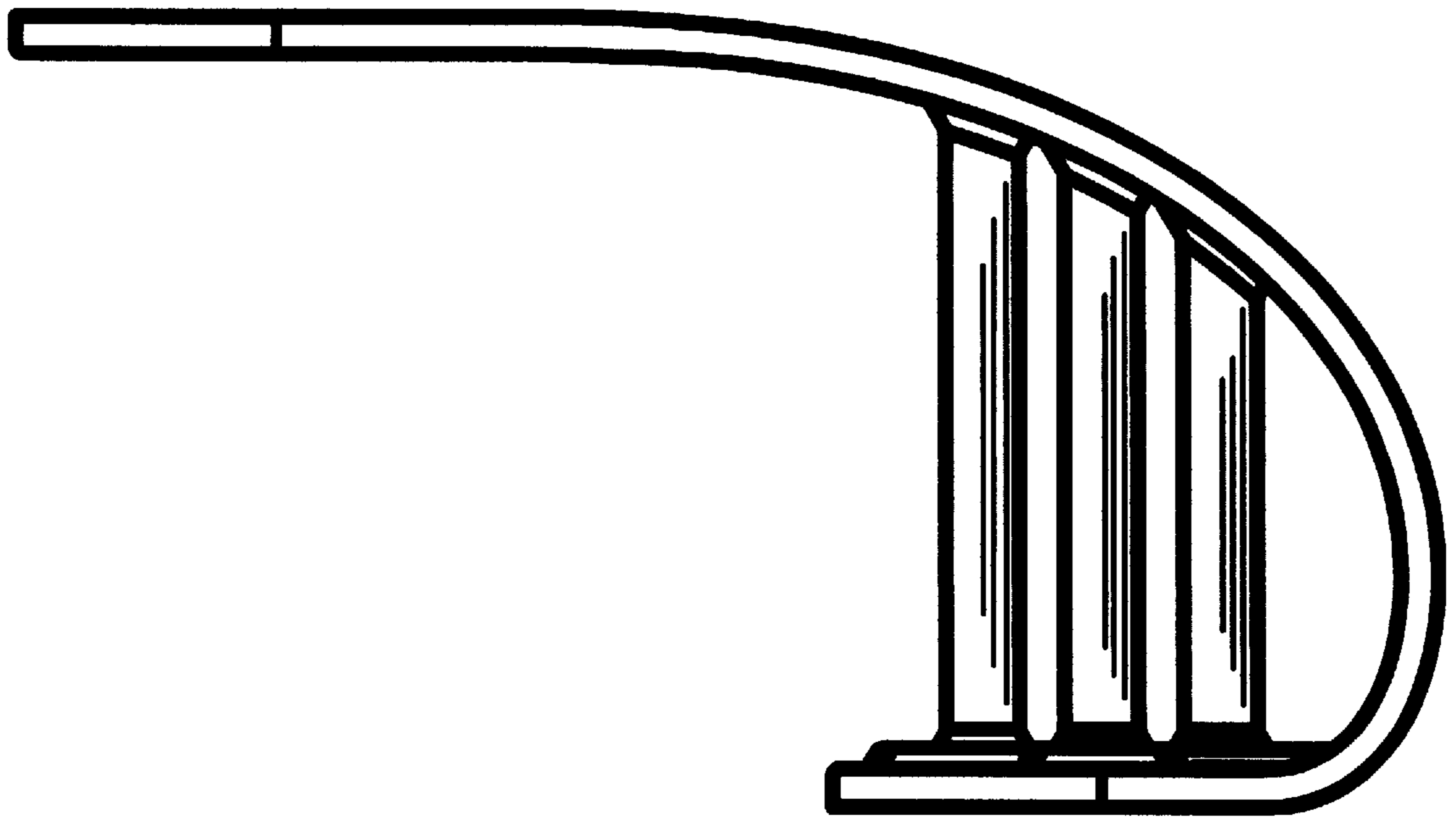


FIG. 2

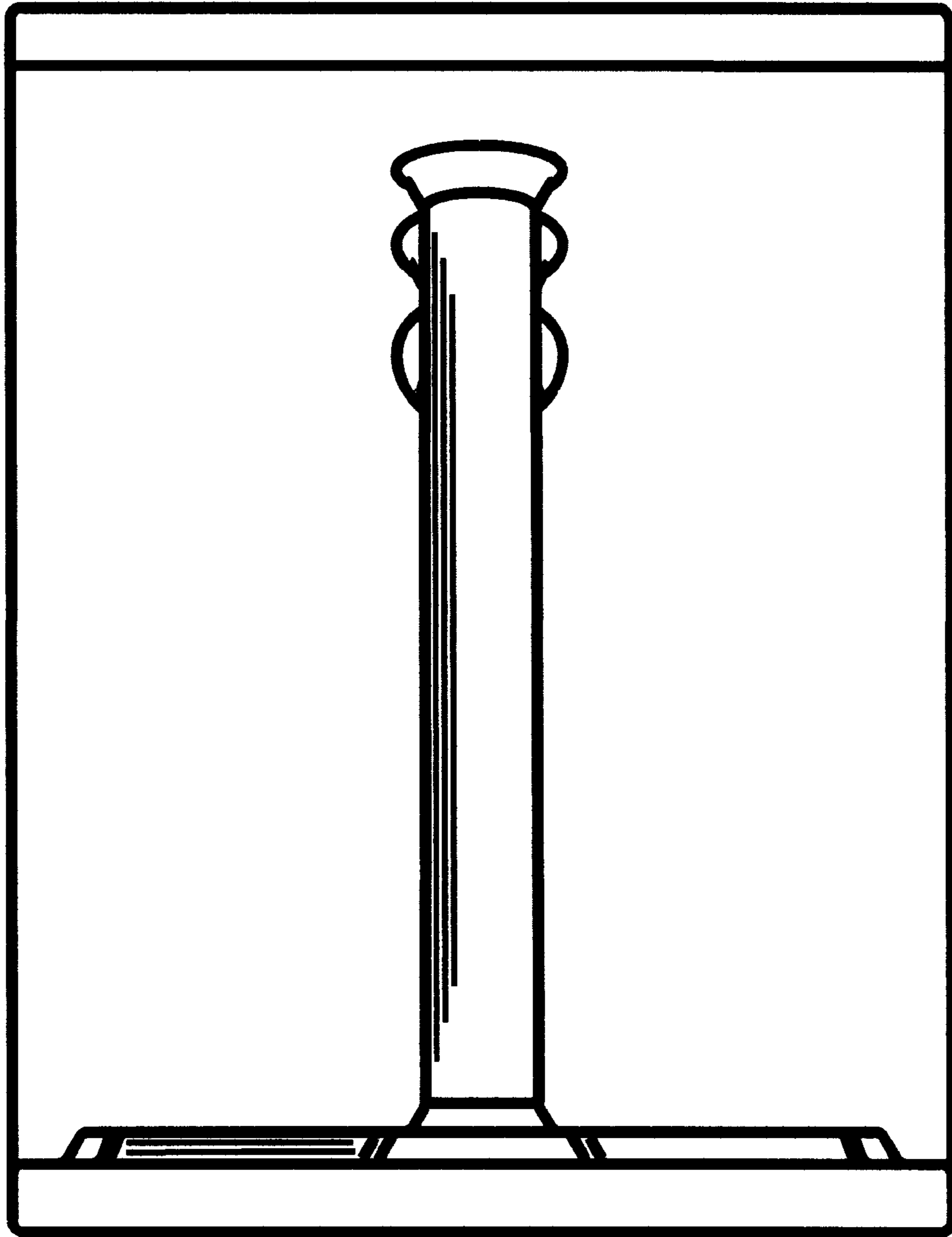


FIG. 3

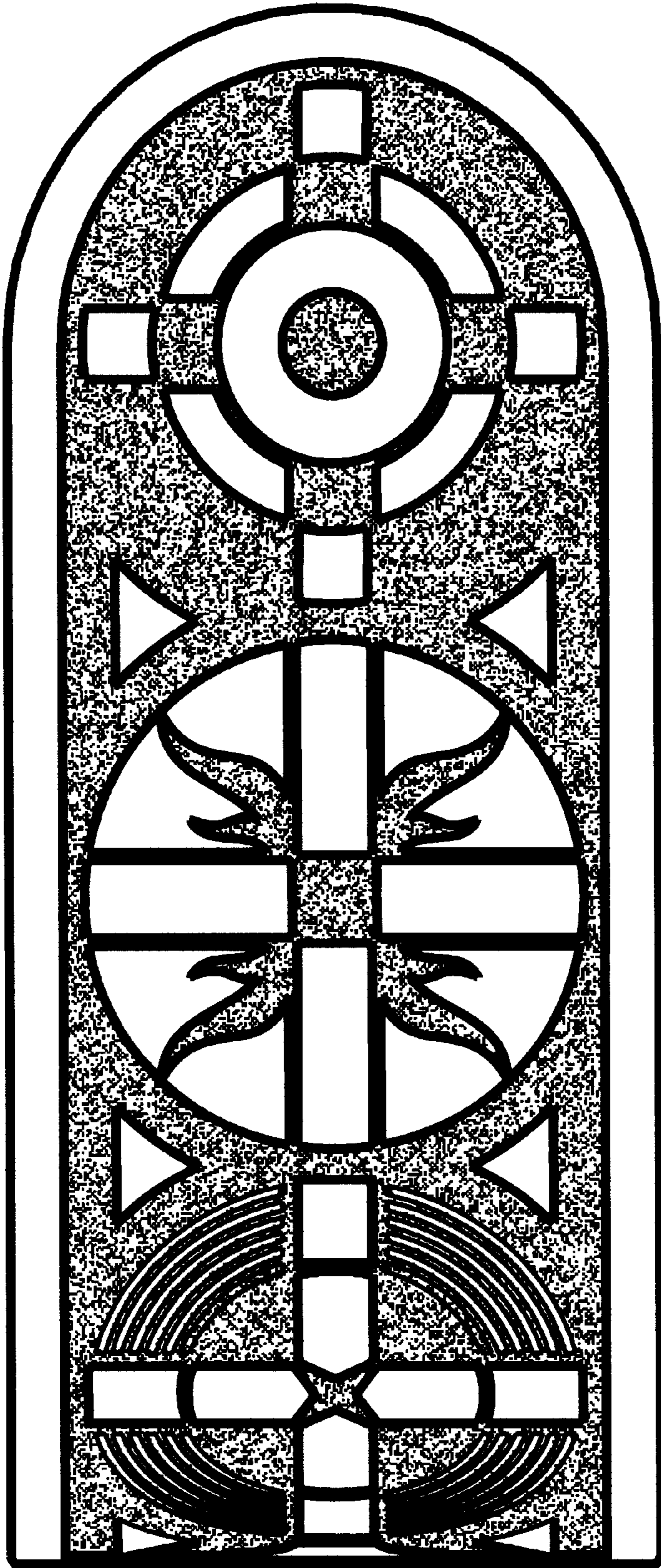


FIG. 4

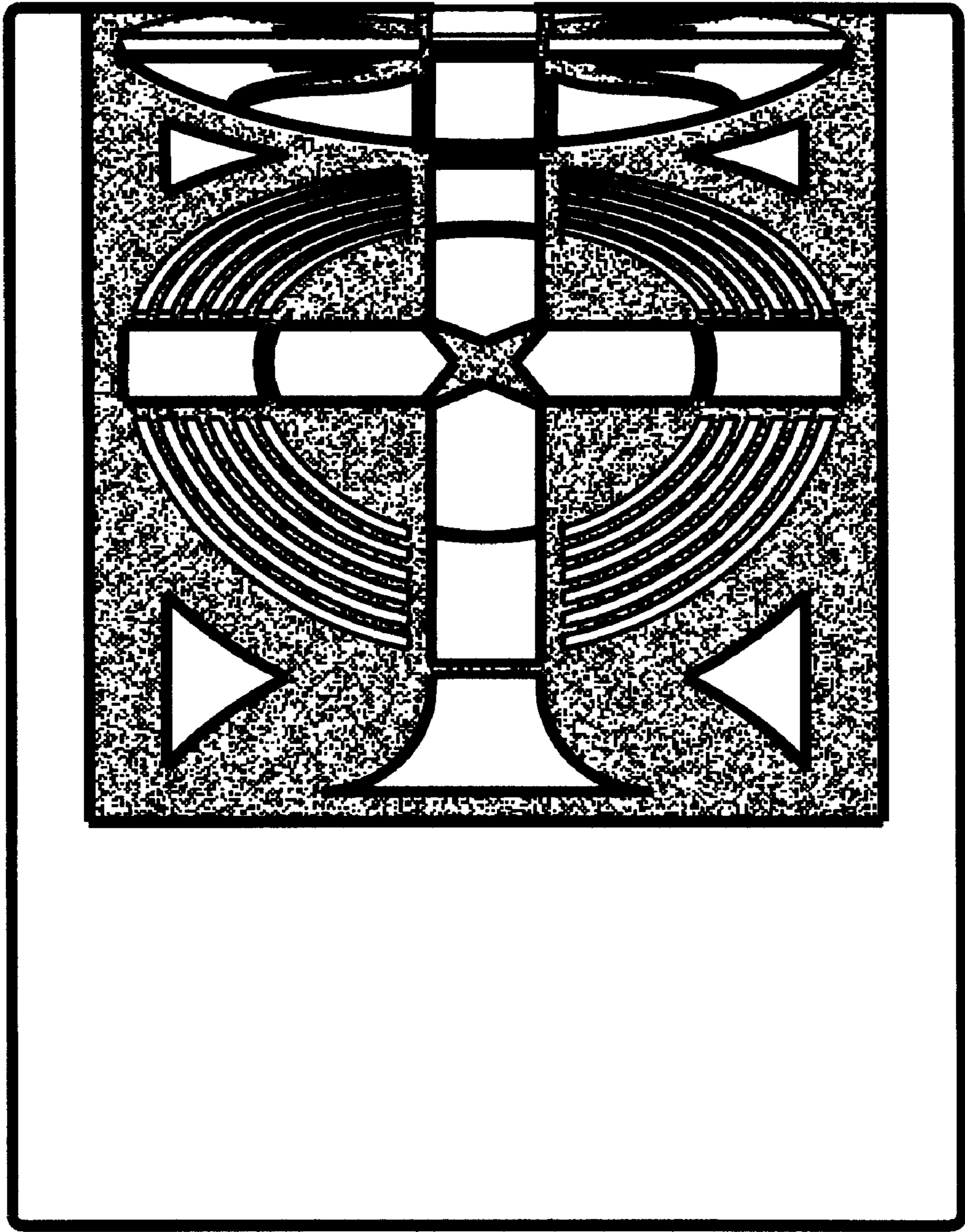


FIG. 5

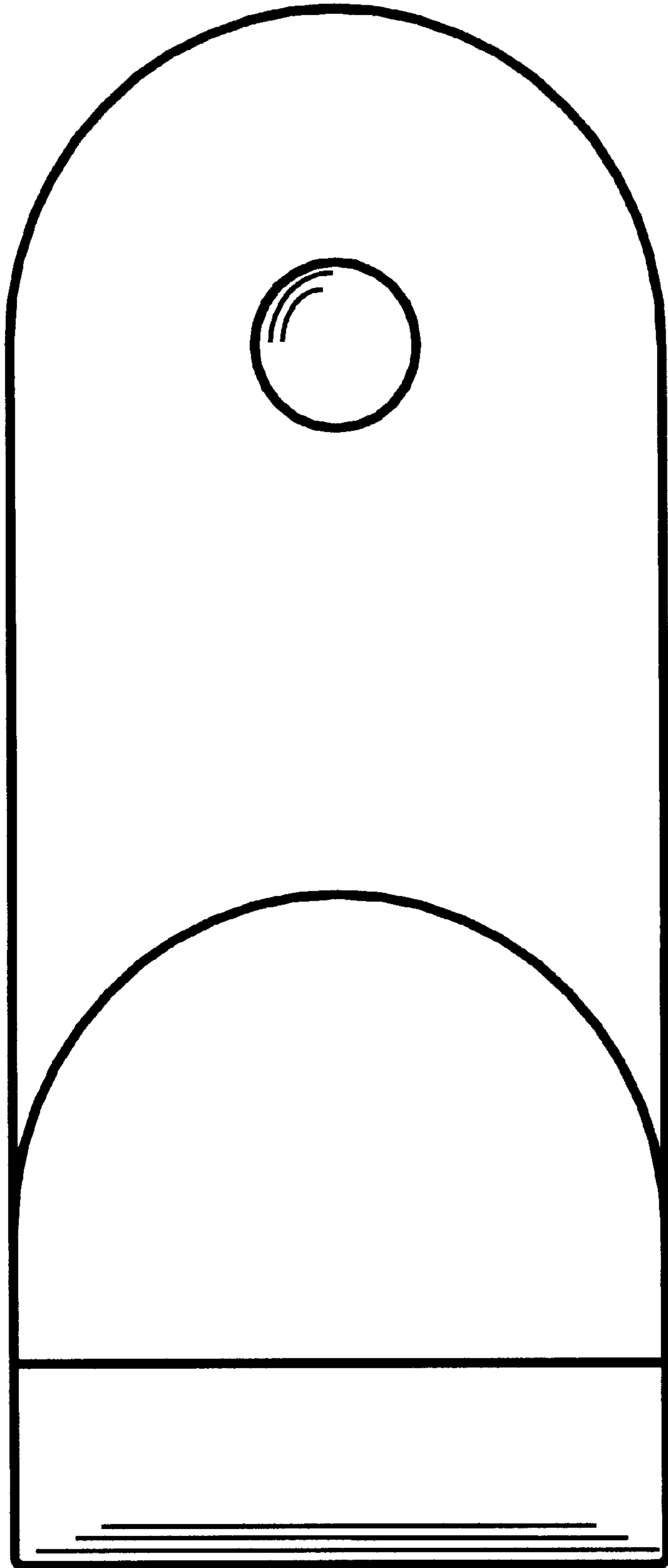


FIG. 6