



US00D458492S

(12) **United States Design Patent** (10) **Patent No.:** **US D458,492 S**
Ho (45) **Date of Patent:** **** Jun. 11, 2002**

(54) **BATHROOM CADDY**
(75) Inventor: **Stanley Ho**, Warren, NJ (US)
(73) Assignee: **Allure Home Creation Co., Inc.**,
Boonton, NJ (US)
(**) Term: **14 Years**
(21) Appl. No.: **29/133,716**
(22) Filed: **Dec. 5, 2000**
(51) **LOC (7) Cl.** **23-02**
(52) **U.S. Cl.** **D6/525**
(58) **Field of Search** D6/524, 525, 527-535;
D3/304, 201; 206/77.1, 576, 207, 349,
557, 558, 564, 566, 823; 211/10, 11, 13.1,
70.6, 70.7, 71.01, 74, 85.21

D351,751 S 10/1994 Brightbill et al.
5,433,373 A 7/1995 Zoeller
5,446,930 A 9/1995 Clark
D362,777 S 10/1995 Emery et al.
D367,790 S 3/1996 Munoz et al.
D367,791 S 3/1996 Emery et al.
D368,194 S 3/1996 Emery et al.
D368,402 S 4/1996 Emery et al.
D370,809 S 6/1996 Munoz et al.
D370,810 S 6/1996 Munoz
D371,031 S 6/1996 Munoz et al.
D371,830 S 7/1996 Emery et al.
D372,154 S 7/1996 Chapman
D372,304 S 7/1996 Emery et al.
D376,941 S 12/1996 Munoz et al.
D376,942 S 12/1996 Munoz
5,588,543 A 12/1996 Finger

(List continued on next page.)

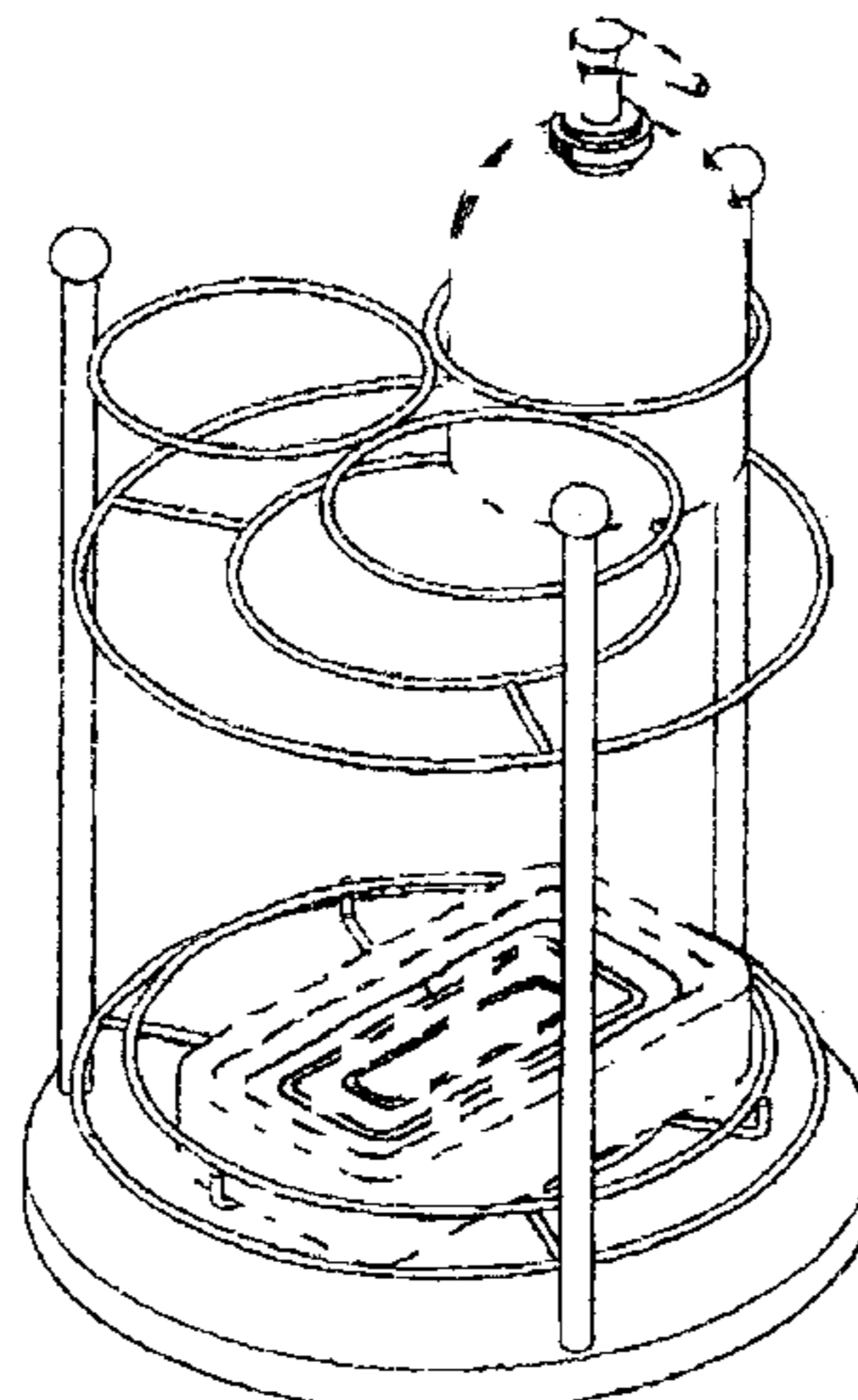
(56) **References Cited**
U.S. PATENT DOCUMENTS
D251,522 S 4/1979 Chapman
4,219,035 A * 8/1980 Deconinck 211/74 X
4,398,309 A 8/1983 Simons
D274,393 S 6/1984 Sinchok
D278,288 S 4/1985 Talocci et al.
D286,599 S 11/1986 Sussman
D288,510 S 3/1987 Shames et al.
4,646,929 A * 3/1987 Plissonneau et al. D6/525 X
D292,256 S 10/1987 Chap
D294,902 S 3/1988 Sussman
D298,990 S 12/1988 Chap
4,875,593 A 10/1989 Trimble
D308,925 S 7/1990 Laseca et al.
D315,840 S 4/1991 Emery
5,014,860 A 5/1991 Emery
5,180,067 A 1/1993 Conaway et al.
D340,604 S 10/1993 Conaway et al.
5,255,401 A 10/1993 Sambrookes et al.
D341,463 S * 11/1993 Booth D6/525 X
5,299,683 A 4/1994 Poole
5,310,052 A 5/1994 Bindman
D349,205 S 8/1994 Khuhawar
D351,750 S 10/1994 Sweeney

Primary Examiner—Brian N. Vinson
(74) *Attorney, Agent, or Firm*—Frommer Lawrence &
Haug LLP; Edgar H. Haug; Grace L. Pan

(57) **CLAIM**
The ornamental design for a bathroom caddy, as shown and
described.

DESCRIPTION
FIG. 1 is a top perspective view of a bathroom caddy
showing my new design;
FIG. 2 is a reduced front perspective view thereof, with the
broken-line disclosure of elements held by the caddy being
for illustrative purposes only and forming no part of the
claimed design;
FIG. 3 is an additional front perspective view thereof;
FIG. 4 is a bottom plan view thereof;
FIG. 5 is a top plan view of the upper shelf component
thereof, with the remaining portions of the caddy omitted for
clarity of illustration; and,
FIG. 6 is a top plan view of the lower shelf component
thereof, with the remaining portions of the caddy omitted for
clarity of illustration.

1 Claim, 5 Drawing Sheets



US D458,492 S

Page 2

U.S. PATENT DOCUMENTS

D377,286 S	1/1997	Munoz	D397,567 S	9/1998	Hofman
D378,556 S	3/1997	Munoz	5,823,366 A	10/1998	Bellamy
5,620,105 A	4/1997	Macek	D400,745 S	11/1998	France
5,680,933 A	10/1997	Miller	D401,092 S	11/1998	Patel
D387,593 S	12/1997	Whang	D404,948 S	2/1999	Yemini
D387,595 S	12/1997	Whang	D407,249 S	3/1999	Hampshire
D388,642 S	1/1998	Winter	D409,424 S	5/1999	Hofman et al.
D389,352 S	1/1998	Pagán-Demirtas	D413,467 S	9/1999	Patel et al.
D389,353 S	1/1998	Patel	D414,001 S	* 9/1999	Crotte et al. D6/525 X
D392,135 S	3/1998	Pagán-Demirtas et al.	D415,916 S	11/1999	Hofman et al.
D392,484 S	3/1998	Yemini	D417,390 S	12/1999	Hofman
5,724,894 A	3/1998	Knorovsky	D417,990 S	12/1999	Yemini
D394,771 S	6/1998	Hofman	D417,991 S	12/1999	Hofman et al.
D395,773 S	7/1998	Hofman	D418,947 S	* 1/2000	Greiner D6/525
D395,971 S	7/1998	Hofman	6,082,573 A	7/2000	Hofman et al.
D396,157 S	7/1998	Hofman	D428,745 S	8/2000	Patel et al.
D396,585 S	8/1998	Hofman			

* cited by examiner

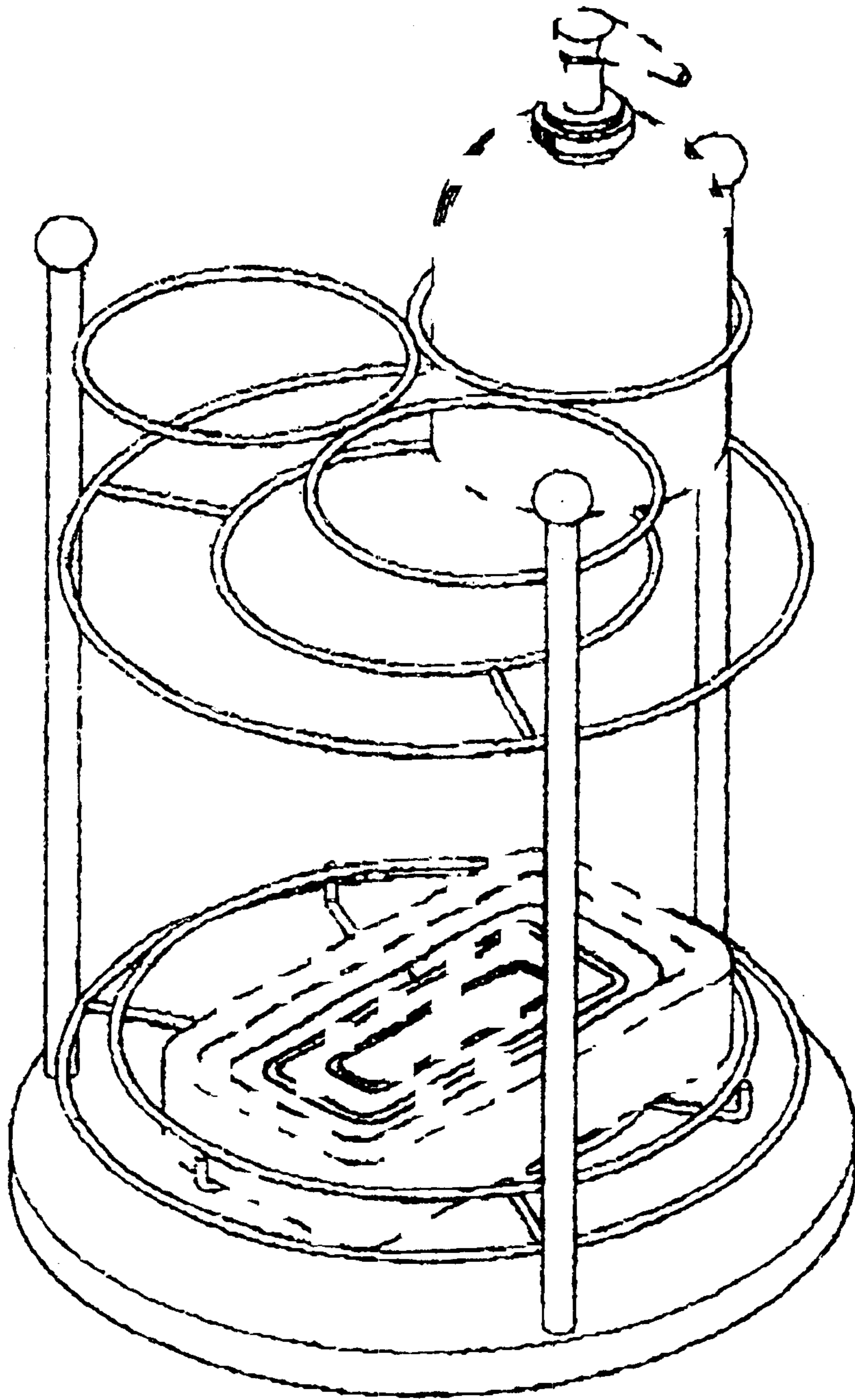


FIG. 1

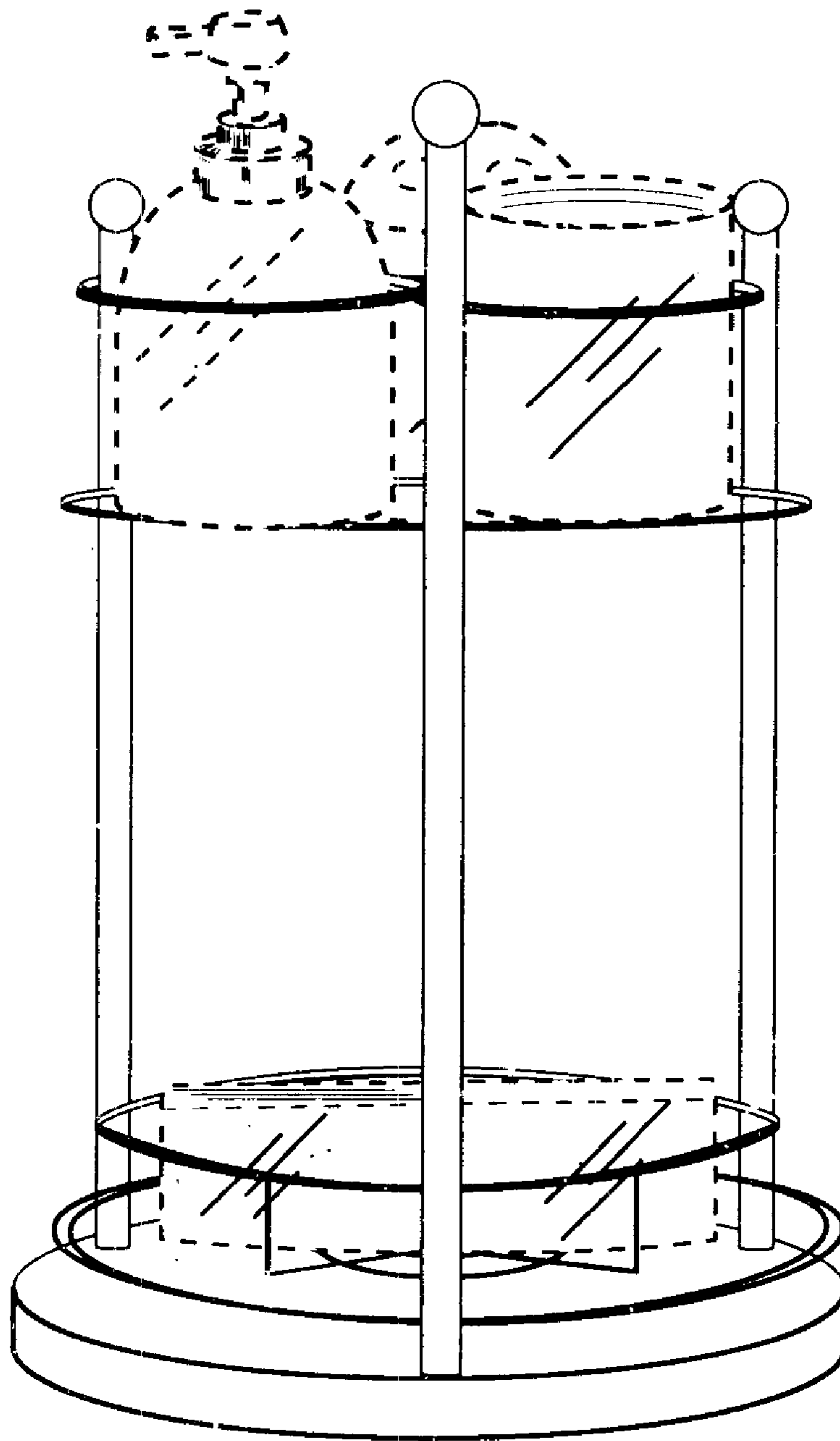


FIG. 2

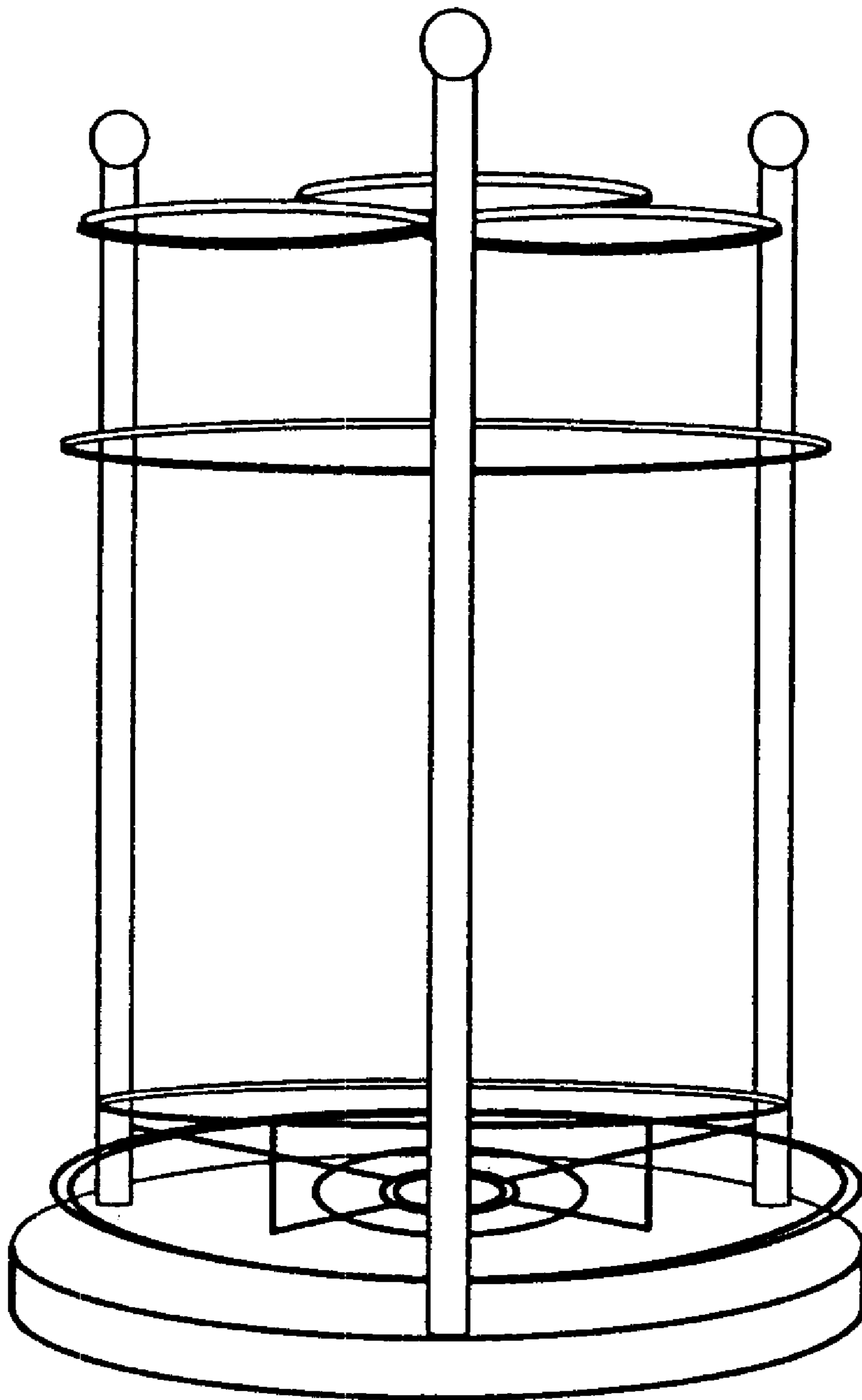


FIG. 3

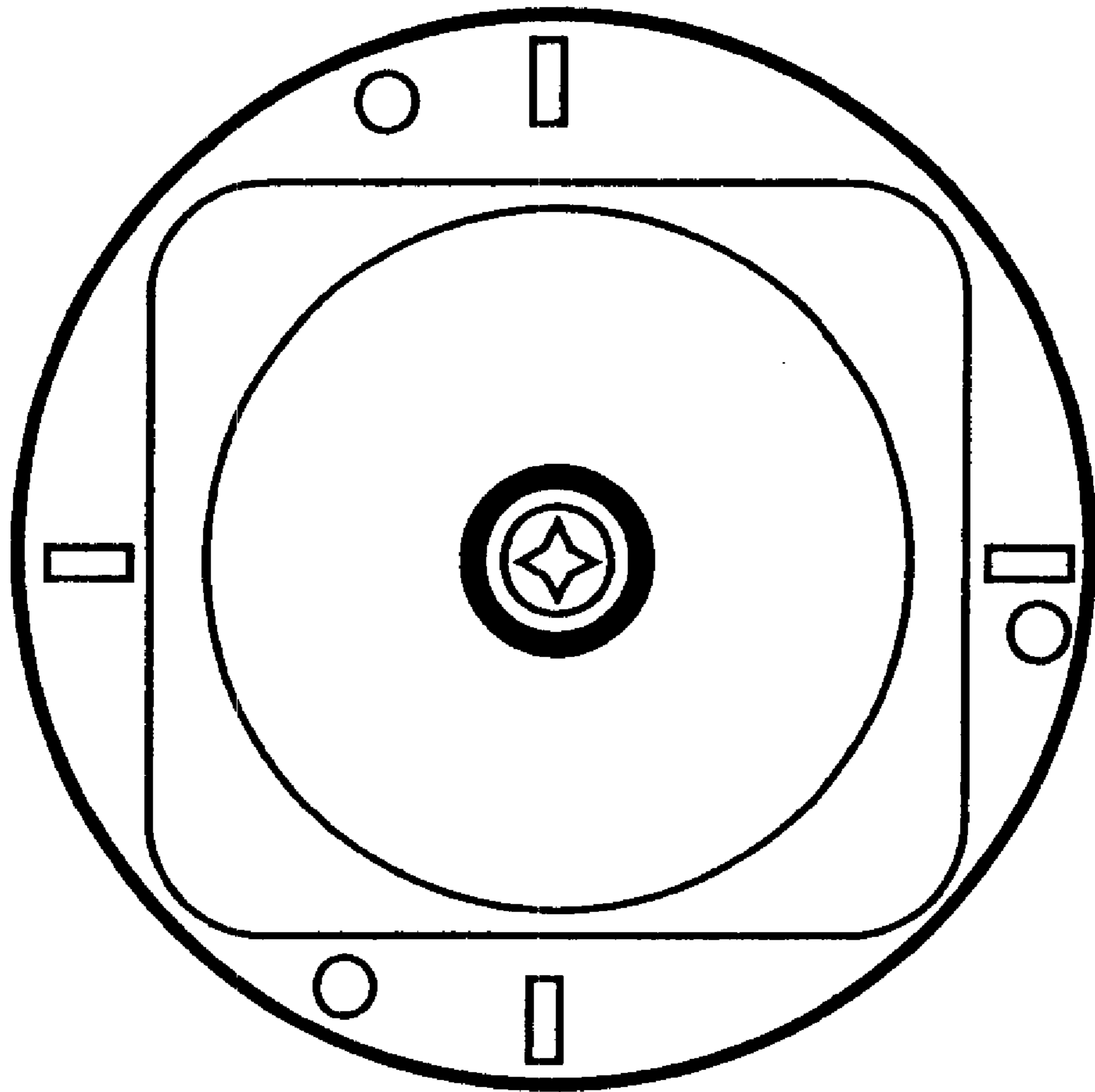


FIG. 4

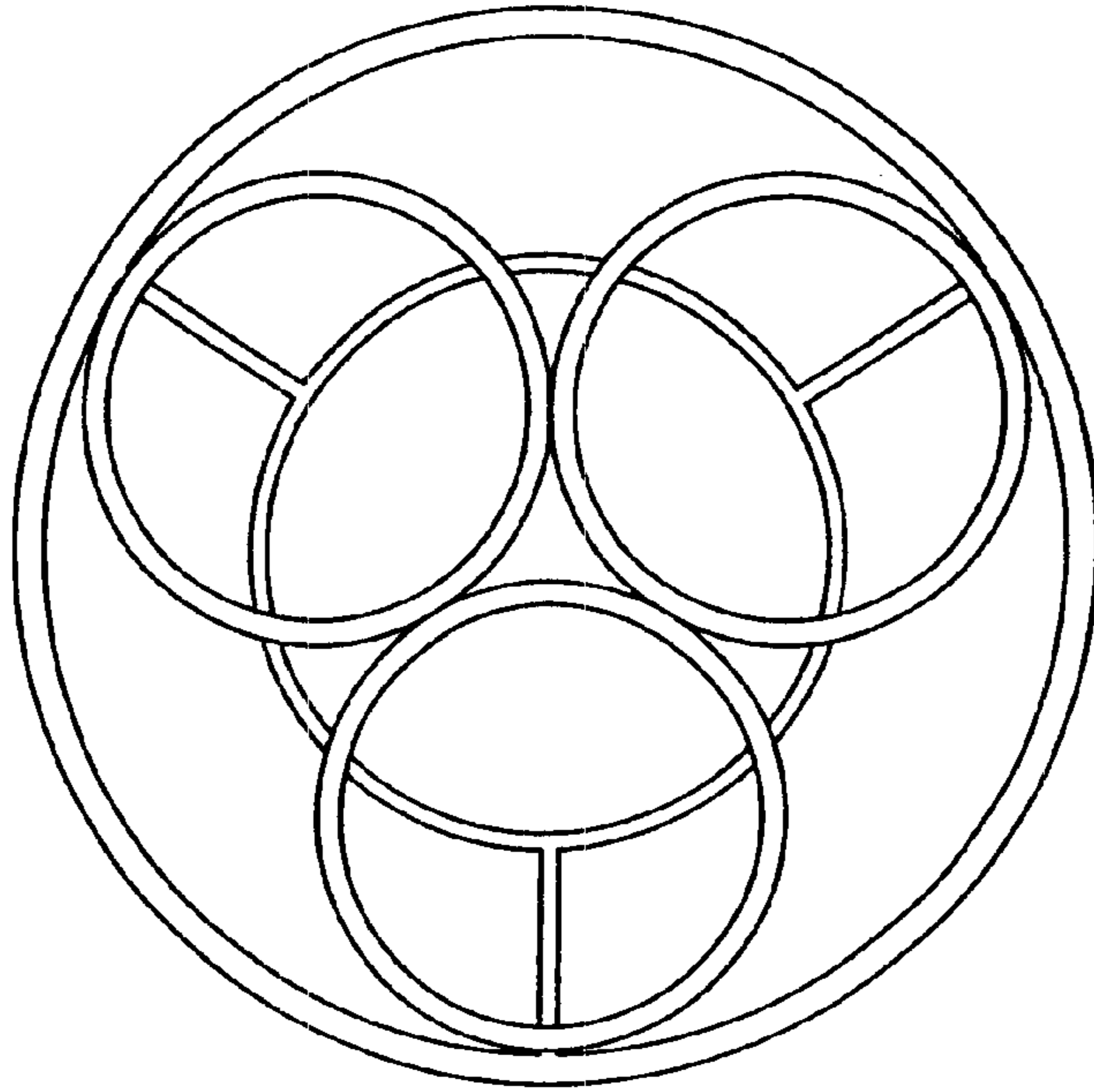


FIG. 5

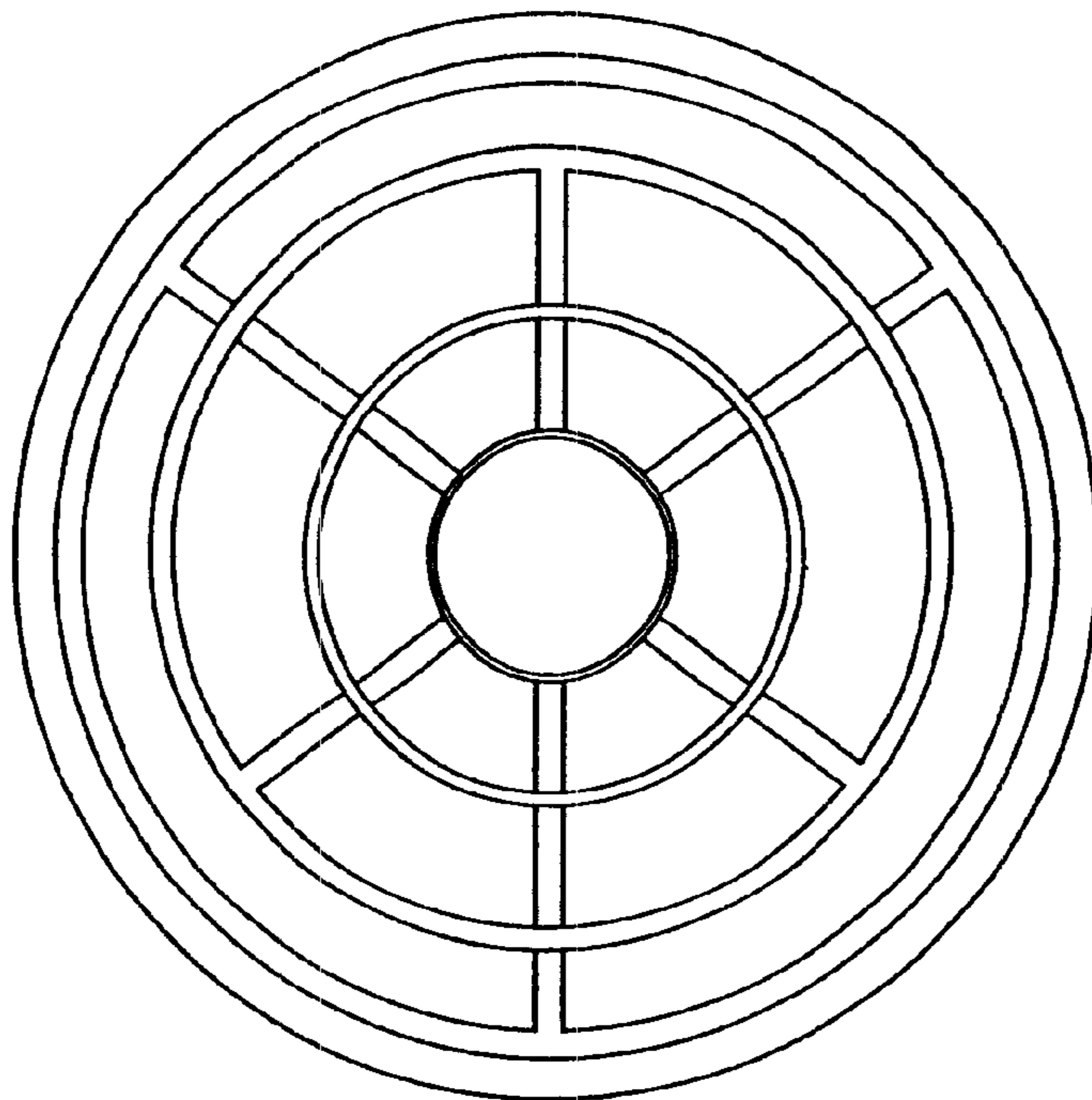


FIG. 6