



US00D458491S

(12) **United States Design Patent**
Ho

(10) **Patent No.:** **US D458,491 S**

(45) **Date of Patent:** **** Jun. 11, 2002**

(54) **BATHROOM CADDY**

(75) **Inventor:** **Stanley Ho**, Warren, NJ (US)

(73) **Assignee:** **Allure Home Creation Co., Inc.**,
Boonton, NJ (US)

(**) **Term:** **14 Years**

(21) **Appl. No.:** **29/133,715**

(22) **Filed:** **Dec. 5, 2000**

(51) **LOC (7) Cl.** **23-02**

(52) **U.S. Cl.** **D6/525**

(58) **Field of Search** D6/524, 525, 527-535;
D3/304, 201; 206/77.1, 576, 207, 349,
557, 558, 564, 566, 523; 211/10, 11, 13.1,
70.6, 70.7, 71.01, 74, 85.21

5,433,373 A	7/1995	Zoeller
5,446,930 A	9/1995	Clark
D362,777 S	10/1995	Emery et al.
D367,790 S	3/1996	Munoz et al.
D367,791 S	3/1996	Emery et al.
D368,194 S	3/1996	Emery et al.
D368,402 S	4/1996	Emery et al.
D370,809 S	6/1996	Munoz et al.
D370,810 S	6/1996	Munoz
D371,031 S	6/1996	Munoz et al.
D371,830 S	7/1996	Emery et al.
D372,154 S	7/1996	Chapman
D372,304 S	7/1996	Emery et al.
D376,941 S	12/1996	Munoz et al.
D376,942 S	12/1996	Munoz
5,588,543 A	12/1996	Finger
D377,286 S	1/1997	Munoz
D378,556 S	3/1997	Munoz

(List continued on next page.)

(56) **References Cited**

U.S. PATENT DOCUMENTS

D251,522 S	4/1979	Chapman	
4,219,035 A	* 8/1980	Deconinck 211/74 X
4,398,309 A	8/1983	Simons	
D274,393 S	6/1984	Sinchok	
D278,288 S	4/1985	Talocci et al.	
D286,599 S	11/1986	Sussman	
D288,510 S	3/1987	Shames et al.	
4,646,929 A	* 3/1987	Plissonneau et al. D6/525 X
D292,256 S	10/1987	Chap	
D294,902 S	3/1988	Sussman	
D298,990 S	12/1988	Chap	
4,875,593 A	10/1989	Trimble	
D308,925 S	7/1990	Laseca et al.	
D315,840 S	4/1991	Emery	
5,014,860 A	5/1991	Emery	
5,180,067 A	1/1993	Conaway et al.	
D340,604 S	10/1993	Conaway et al.	
5,255,401 A	10/1993	Sambrookes et al.	
D341,463 S	* 11/1993	Booth D6/525 X
5,299,683 A	4/1994	Poole	
5,310,052 A	5/1994	Bindman	
D349,205 S	8/1994	Khuhawar	
D351,750 S	10/1994	Sweeney	
D351,751 S	10/1994	Brightbill et al.	

Primary Examiner—Brian N. Vinson

(74) *Attorney, Agent, or Firm*—Frommer Lawrence & Haug LLP; Edgar H. Haug; Grace L. Pan

(57) **CLAIM**

The ornamental design for a bathroom caddy, as shown and described.

DESCRIPTION

FIG. 1 is a top perspective view of a bathroom caddy showing my new design;

FIG. 2 is a reduced front perspective view thereof, with the broken-line disclosure of elements held by the caddy being for illustrative purposes only and forming no part of the claimed design;

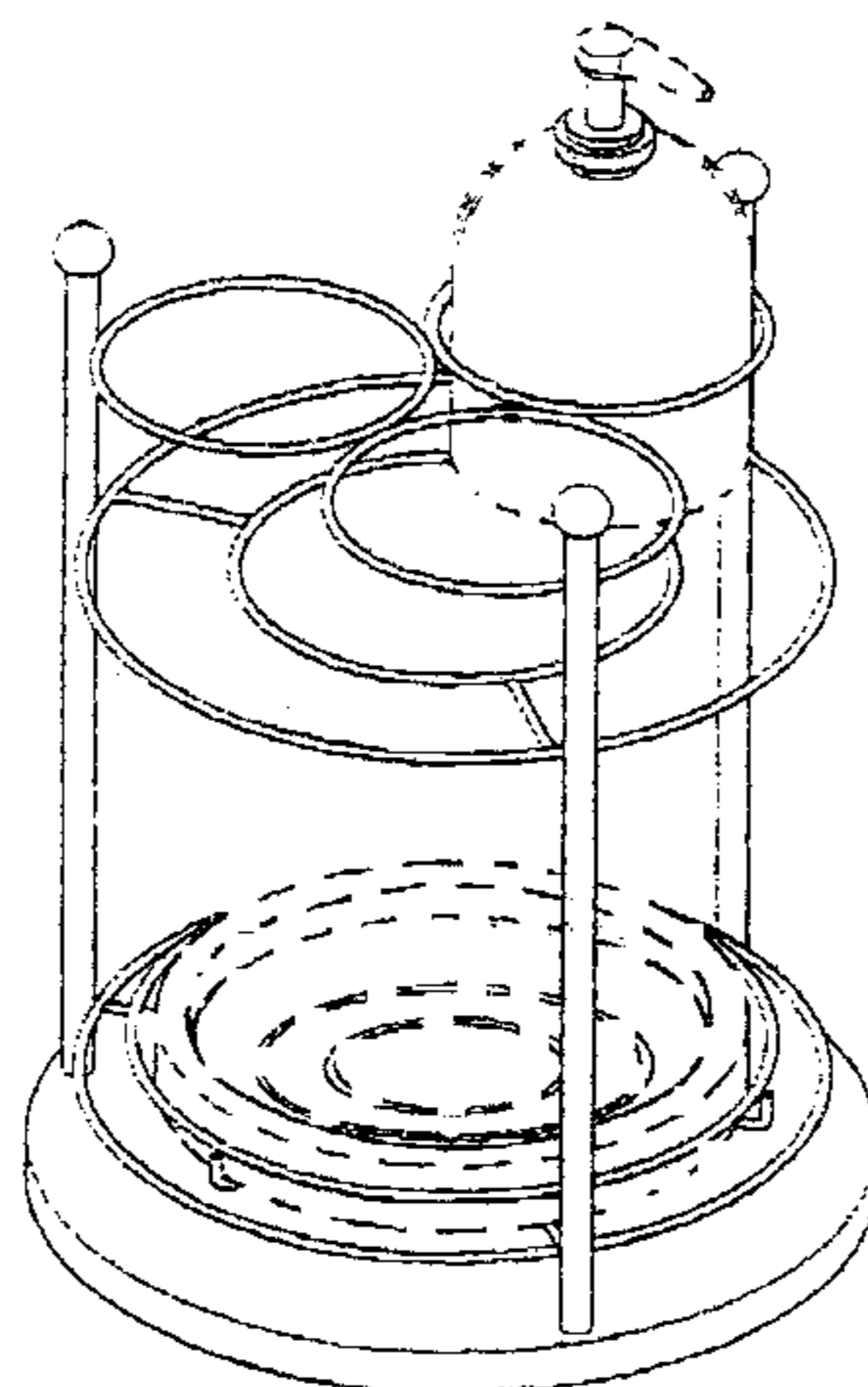
FIG. 3 is an additional front perspective view thereof;

FIG. 4 is a bottom plan view thereof;

FIG. 5 is a top plan view of the upper shelf component thereof, with the remaining portions of the caddy omitted for clarity of illustration; and,

FIG. 6 is a top plan view of the lower shelf component thereof, with the remaining portions of the caddy omitted for clarity of illustration.

1 Claim, 5 Drawing Sheets



US D458,491 S

Page 2

U.S. PATENT DOCUMENTS

5,620,105 A	4/1997	Macek	5,823,366 A	10/1998	Bellamy
5,680,933 A	10/1997	Miller	D400,745 S	11/1998	France
D387,593 S	12/1997	Whang	D401,092 S	11/1998	Patel
D387,595 S	12/1997	Whang	D404,948 S	2/1999	Yemini
D388,642 S	1/1998	Winter	D407,249 S	3/1999	Hampshire
D389,352 S	1/1998	Pagán-Demirtas	D409,424 S	5/1999	Hofman et al.
D389,353 S	1/1998	Patel	D413,467 S	9/1999	Patel et al.
D392,135 S	3/1998	Pagán-Demirtas et al.	D414,001 S	* 9/1999	Crotte et al. D6/525 X
D392,484 S	3/1998	Yemini	D415,916 S	11/1999	Hofman et al.
5,724,894 A	3/1998	Knorovsky	D417,390 S	12/1999	Hofman
D394,771 S	6/1998	Hofman	D417,990 S	12/1999	Yemini
D395,773 S	7/1998	Hofman	D417,991 S	12/1999	Hofman et al.
D395,971 S	7/1998	Hofman	D418,947 S	* 1/2000	Greiner D6/525
D396,157 S	7/1998	Hofman	6,082,573 A	7/2000	Hofman et al.
D396,585 S	8/1998	Hofman	D428,745 S	8/2000	Patel et al.
D397,567 S	9/1998	Hofman			

* cited by examiner

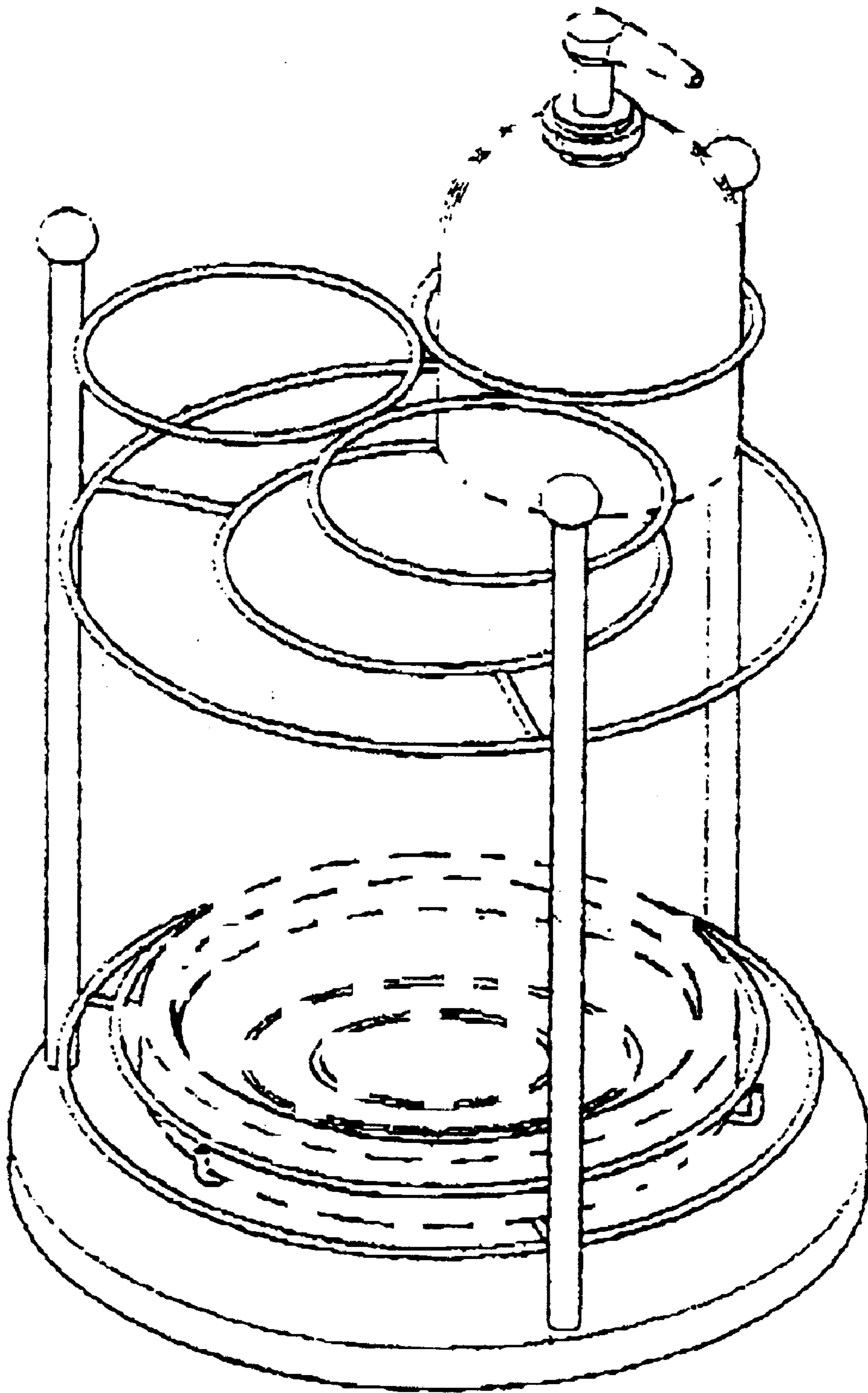


FIG. 1

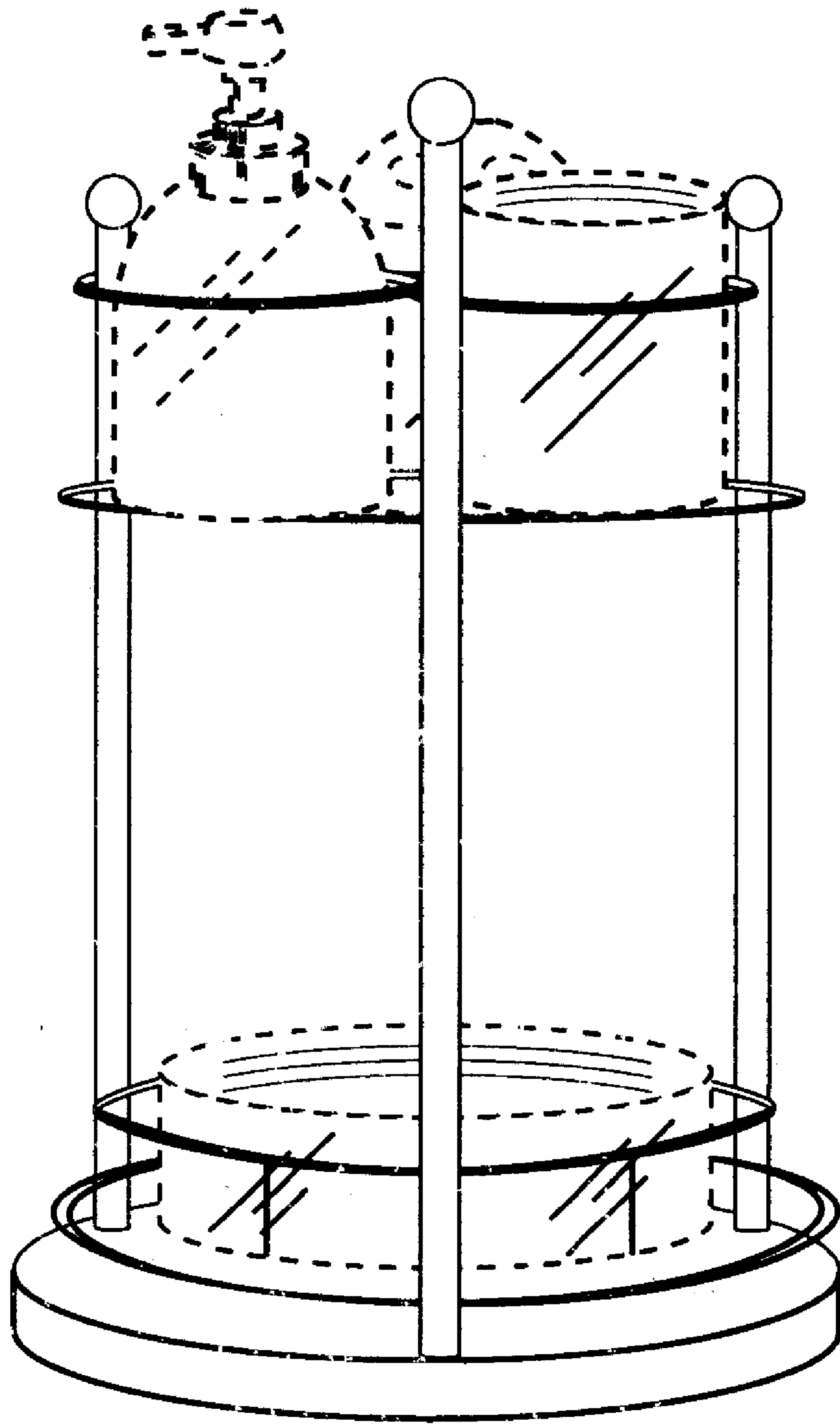


FIG. 2

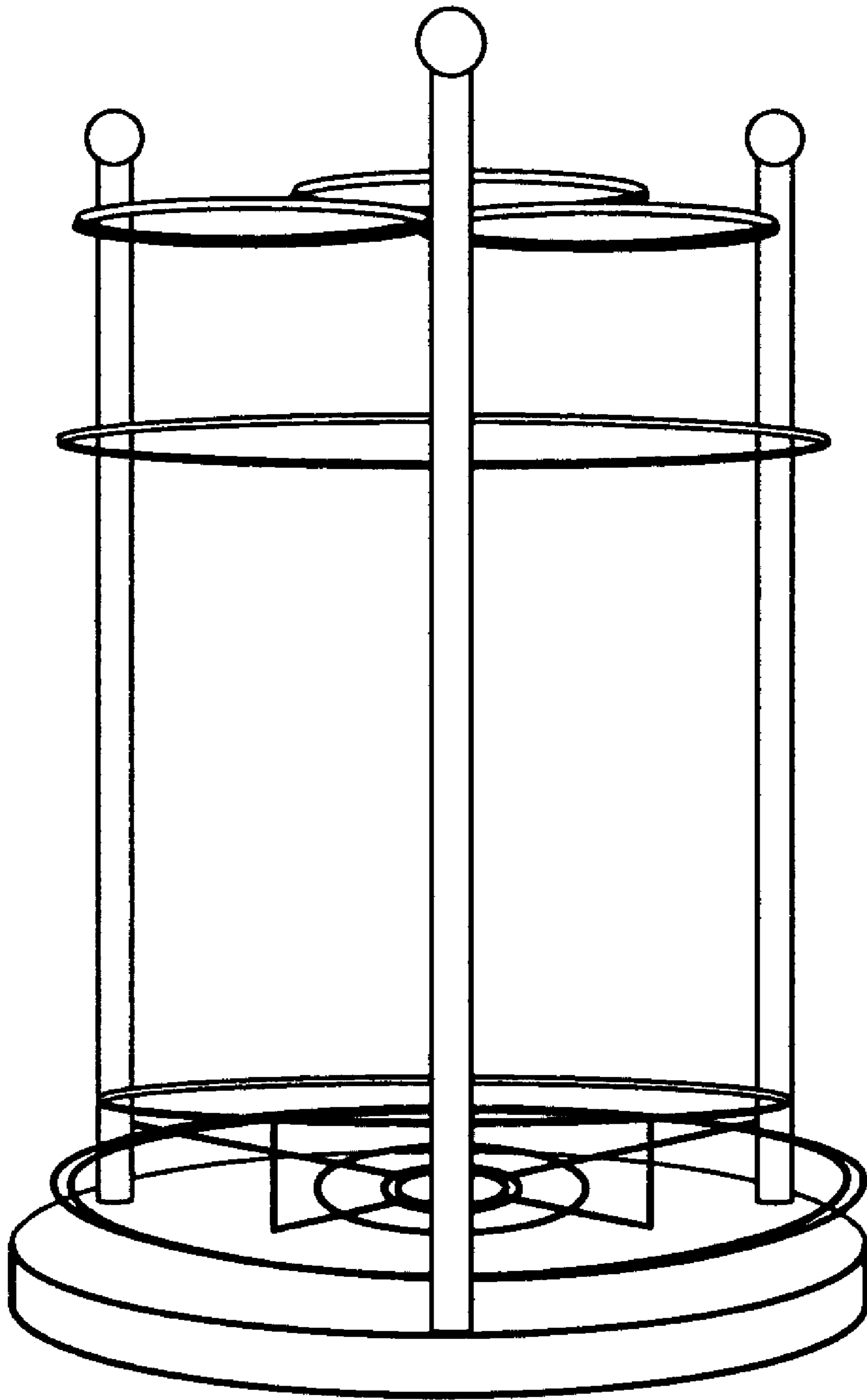


FIG. 3

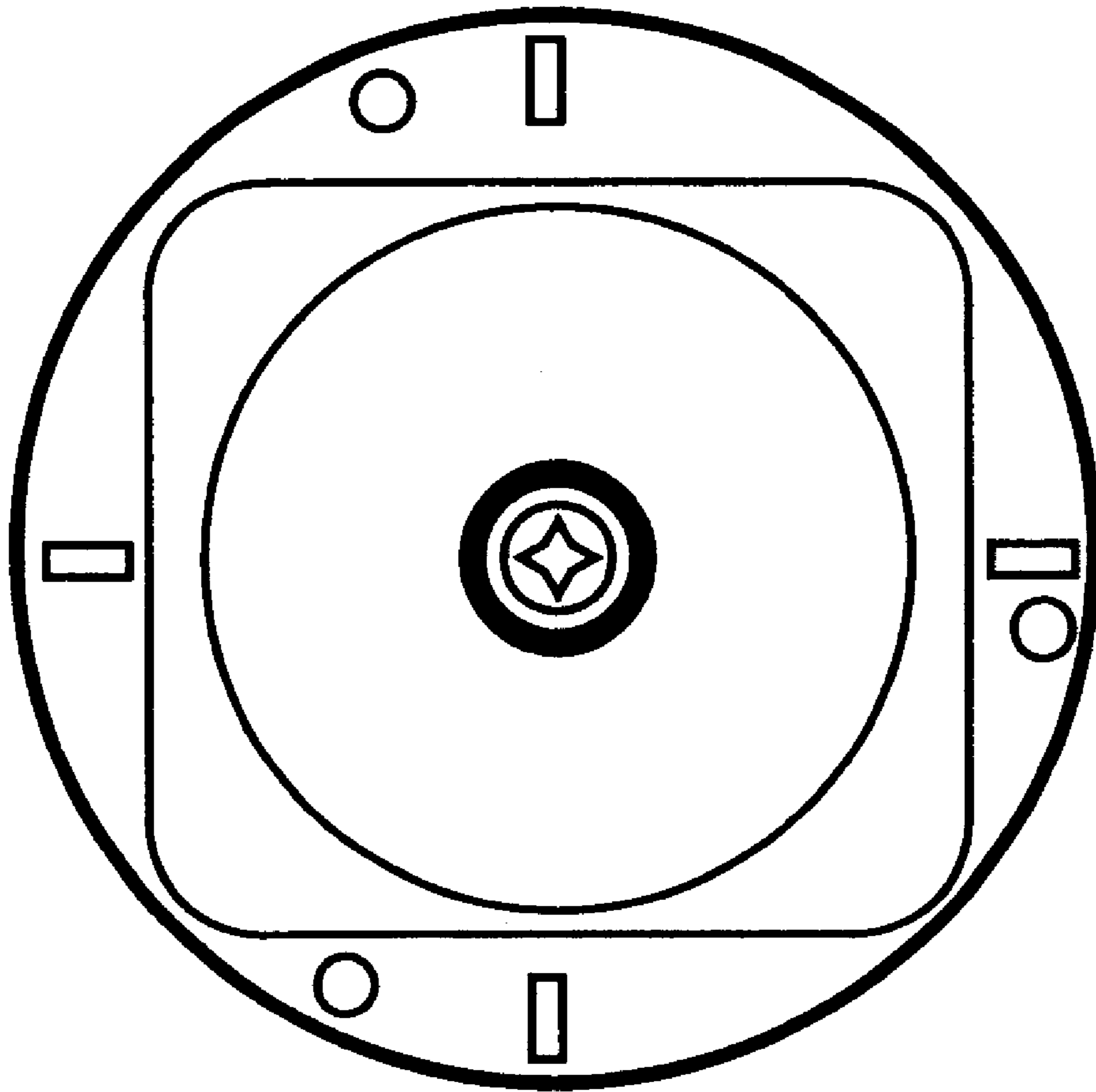


FIG. 4

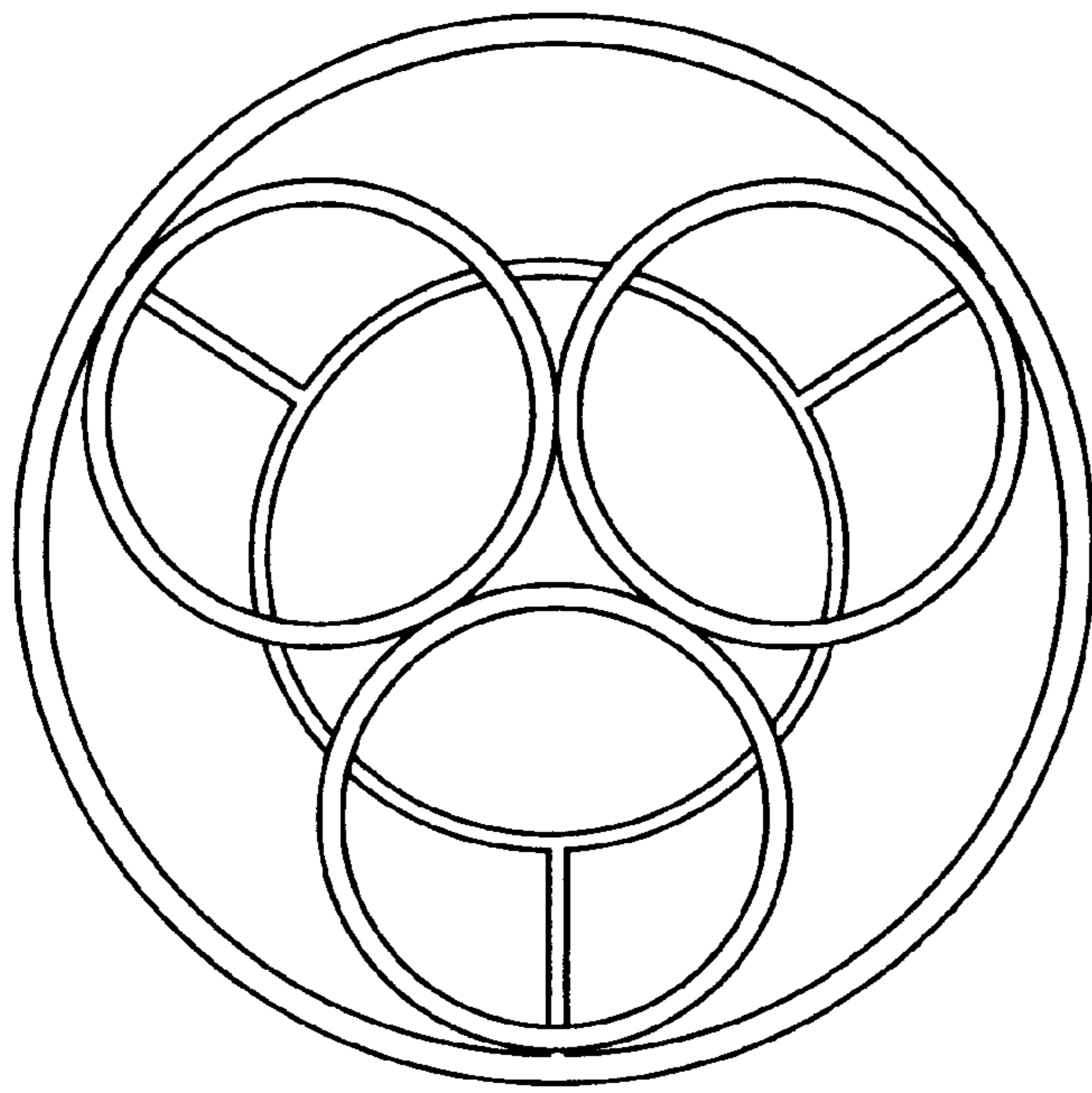


FIG. 5

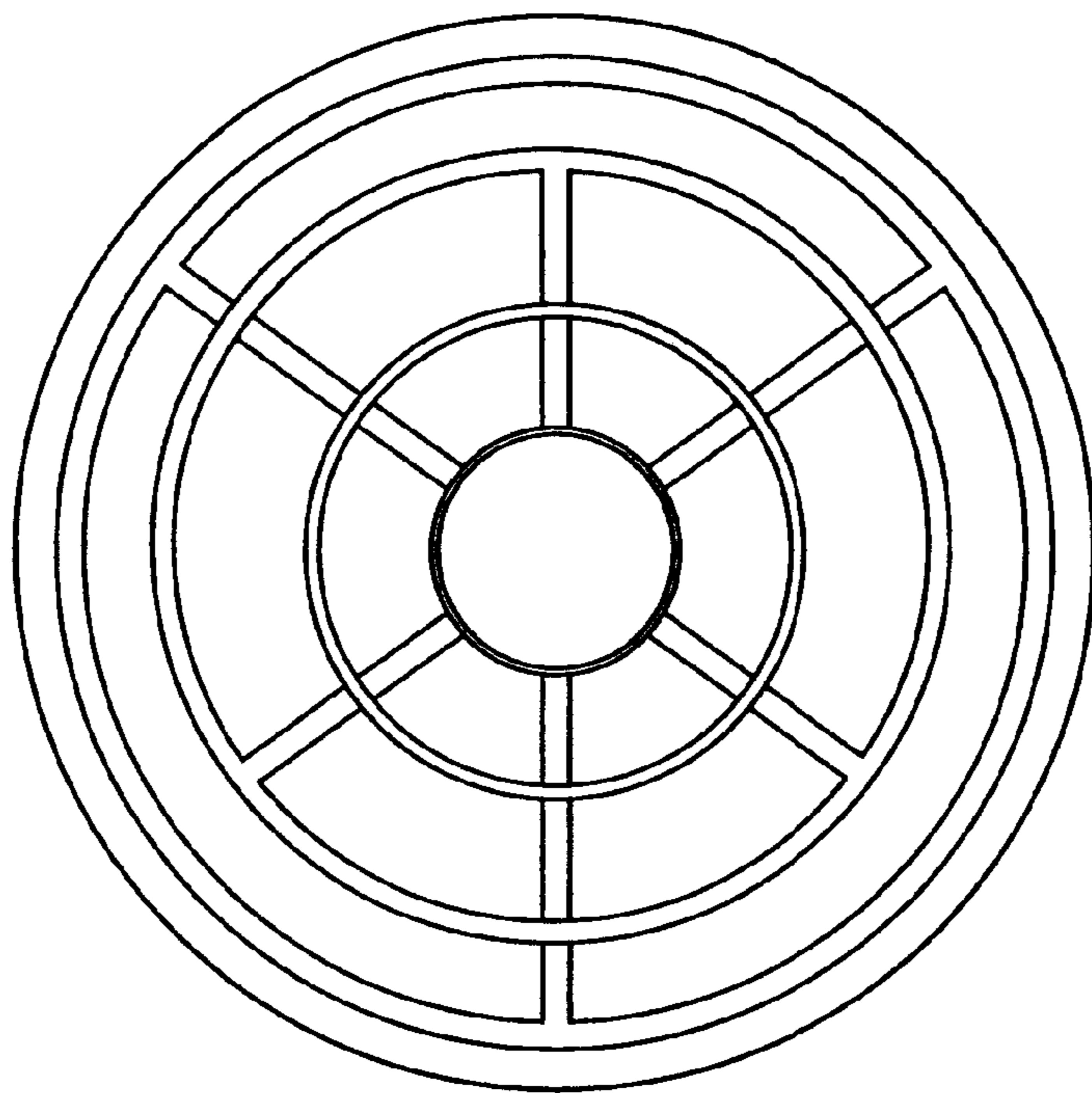


FIG. 6