



US00D458489S

(12) **United States Design Patent**  
**Omdoll et al.**

(10) **Patent No.:** **US D458,489 S**  
(45) **Date of Patent:** **\*\* Jun. 11, 2002**

(54) **TOILET PAPER DISPENSER**

D373,276 S \* 9/1996 Omdoll et al. .... D6/520  
D436,774 S \* 1/2001 Engelstein et al. .... D6/522

(75) Inventors: **Paul A. Omdoll**, Waukesha; **Scott J. Collins**, Milwaukee, both of WI (US)

\* cited by examiner

(73) Assignee: **The Colman Group, Inc.**, Elkhorn, WI (US)

*Primary Examiner*—Brian N. Vinson

(74) *Attorney, Agent, or Firm*—William K. Baxter; Godfrey & Kahn, S.C.

(\*\*) Term: **14 Years**

(57) **CLAIM**

(21) Appl. No.: **29/151,464**

The ornamental design of a toilet paper dispenser, as shown and described.

(22) Filed: **Nov. 8, 2001**

**DESCRIPTION**

**Related U.S. Application Data**

(62) Division of application No. 29/127,989, filed on Aug. 16, 2000.

(51) **LOC (7) Cl.** ..... **23-02**

(52) **U.S. Cl.** ..... **D6/523**

(58) **Field of Search** ..... D6/515-523; 206/389;  
312/34.1, 34.8; 202/570, 590, 595, 596,  
598, 598.5, 598.6

FIG. 1 is a perspective view of a toilet paper dispenser showing the new design;

FIG. 2 is a front view of the toilet paper dispenser of FIG. 1;

FIG. 3 is a left side view of the toilet paper dispenser of FIG. 1;

FIG. 4 is a top view of the toilet paper dispenser of FIG. 1;

FIG. 5 is a rear view of the toilet paper dispenser of FIG. 1; and,

FIG. 6 is a bottom view of the toilet paper dispenser of FIG. 1.

(56) **References Cited**

**U.S. PATENT DOCUMENTS**

D351,749 S \* 10/1994 Omdoll et al. .... D6/523

**1 Claim, 2 Drawing Sheets**

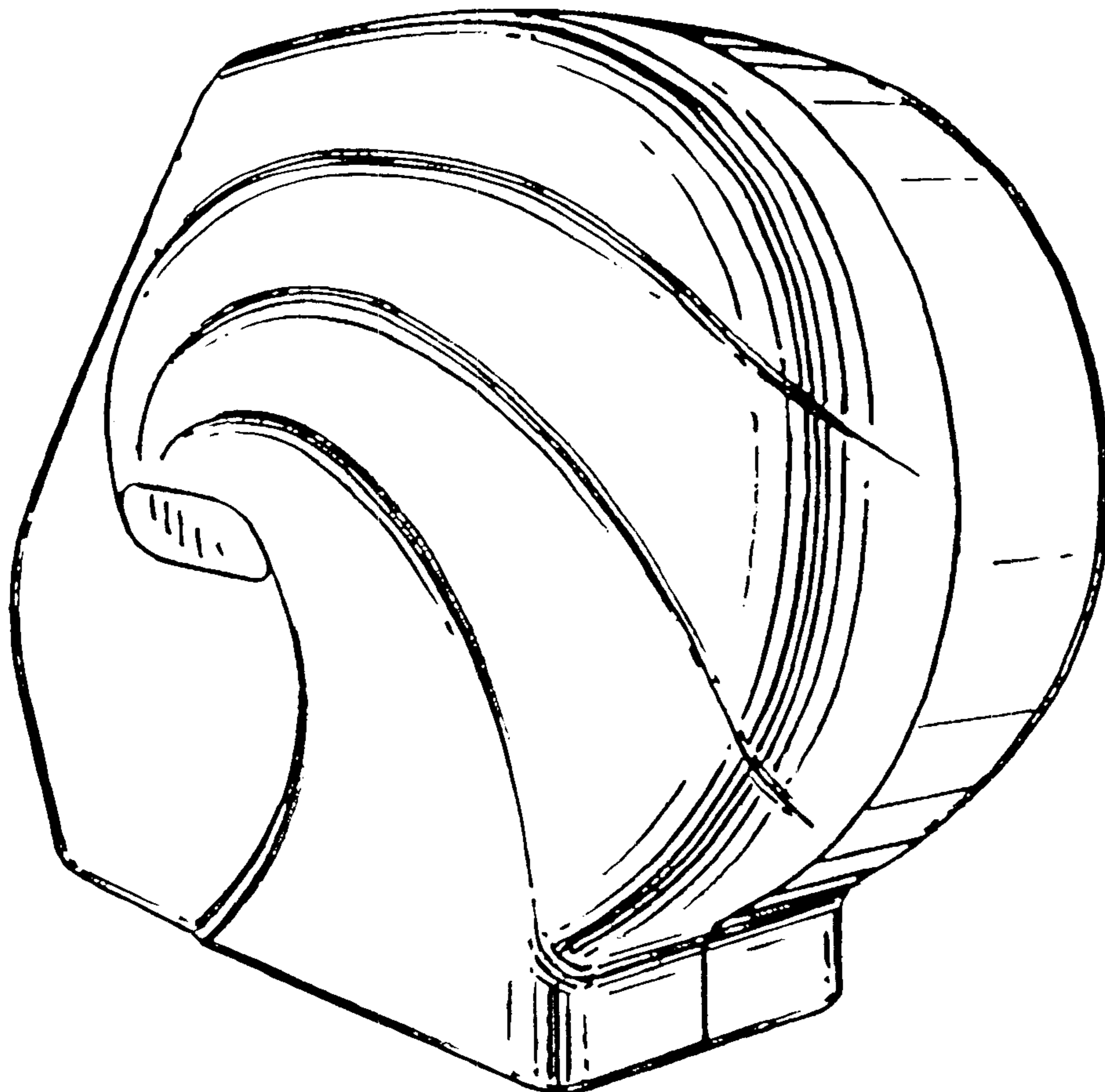


FIG. 1

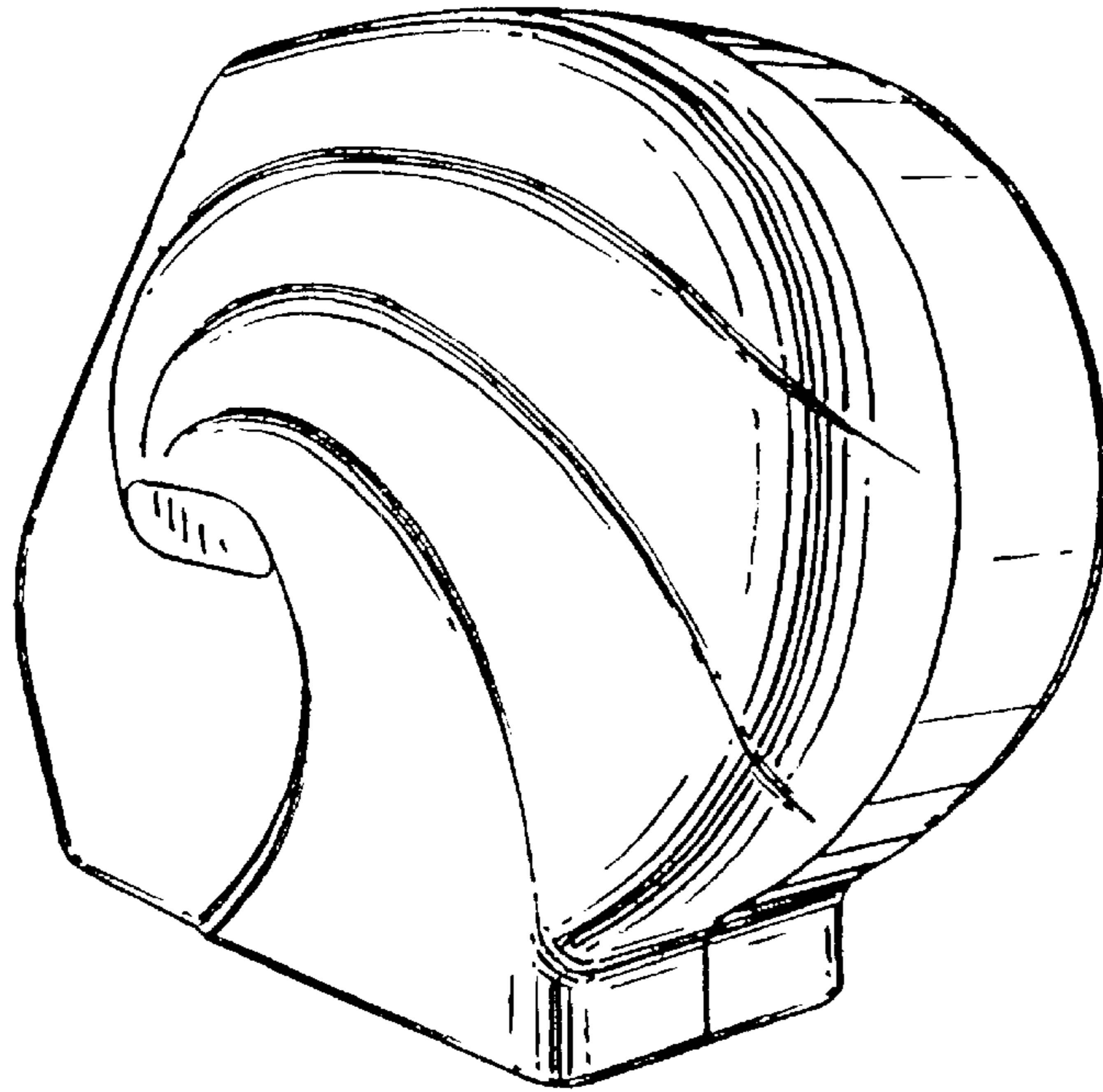


FIG. 2

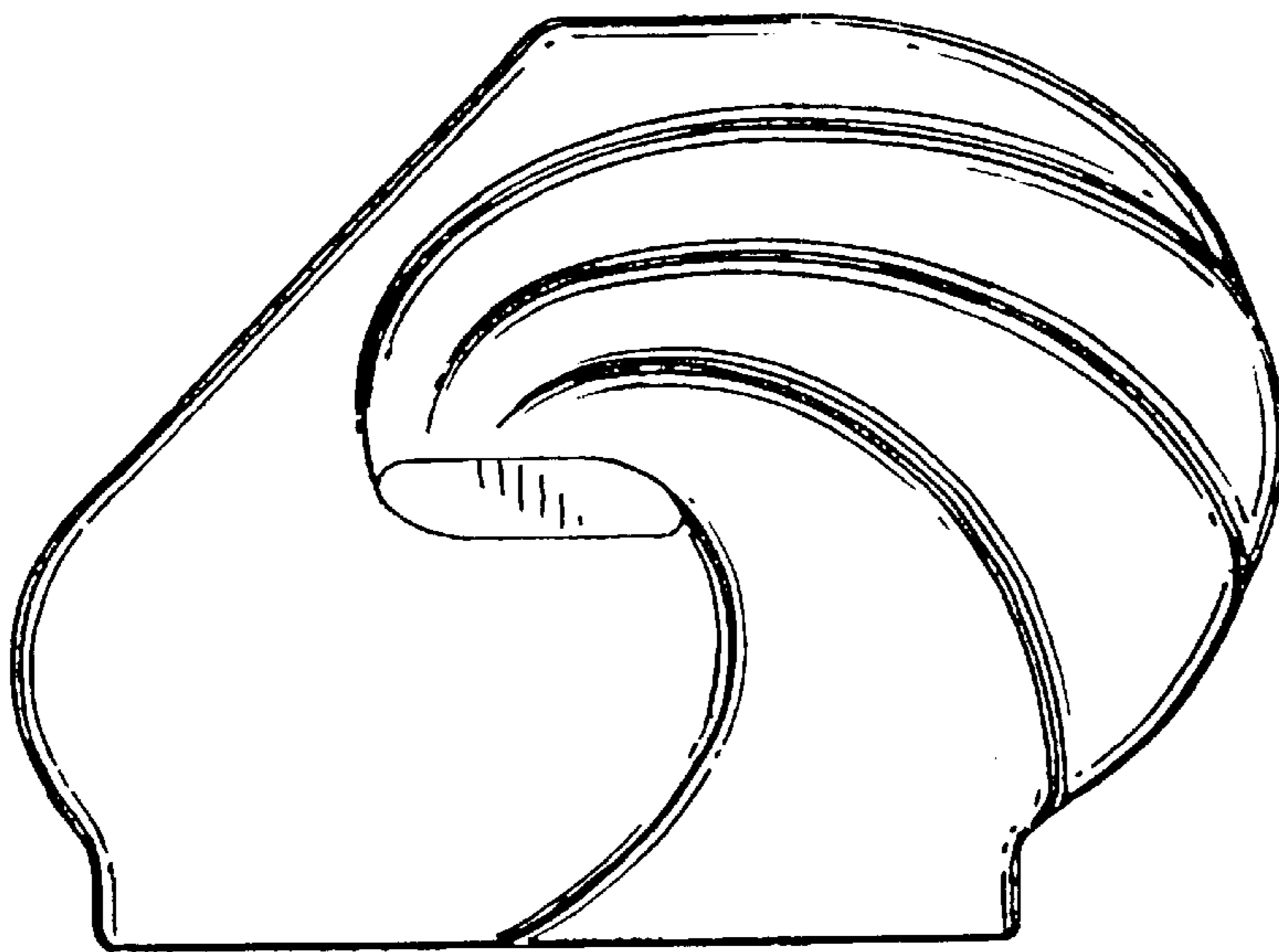


FIG. 3

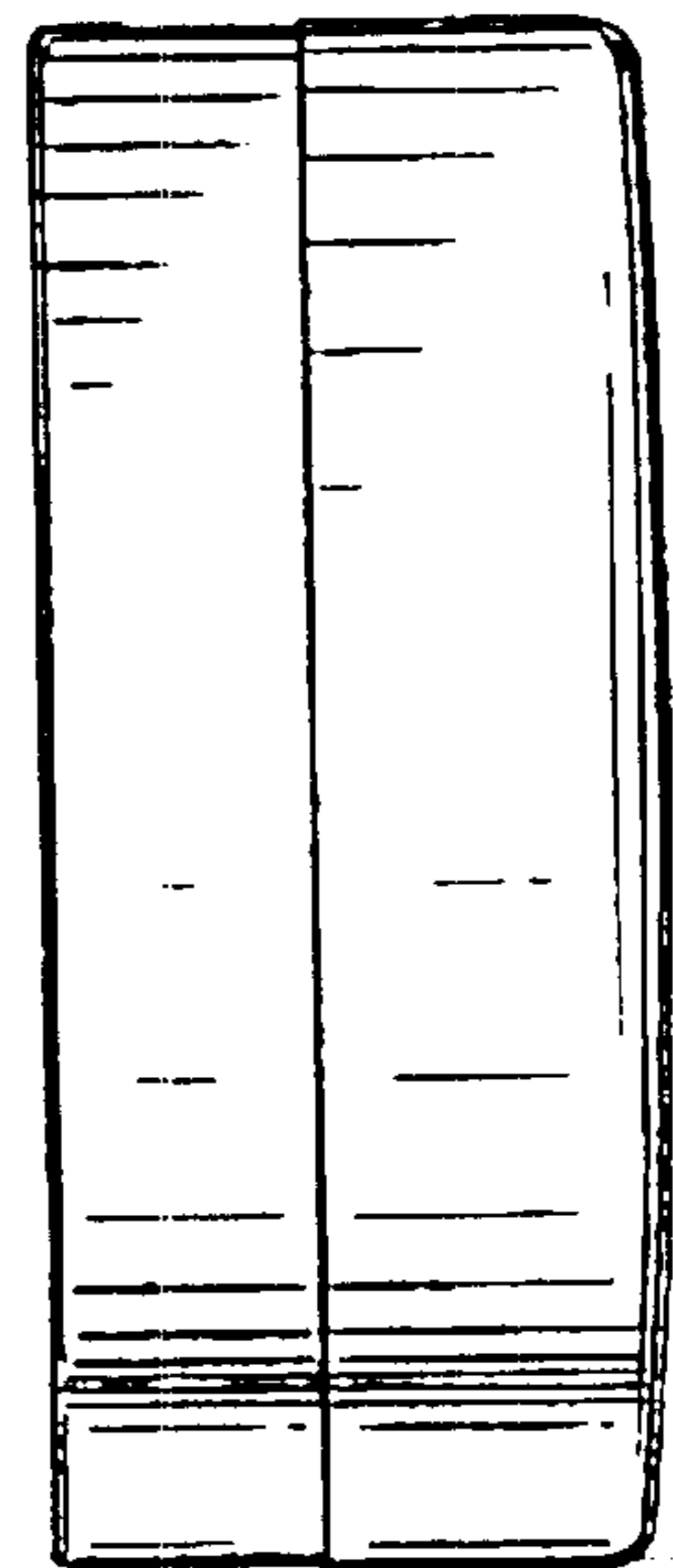


FIG. 4

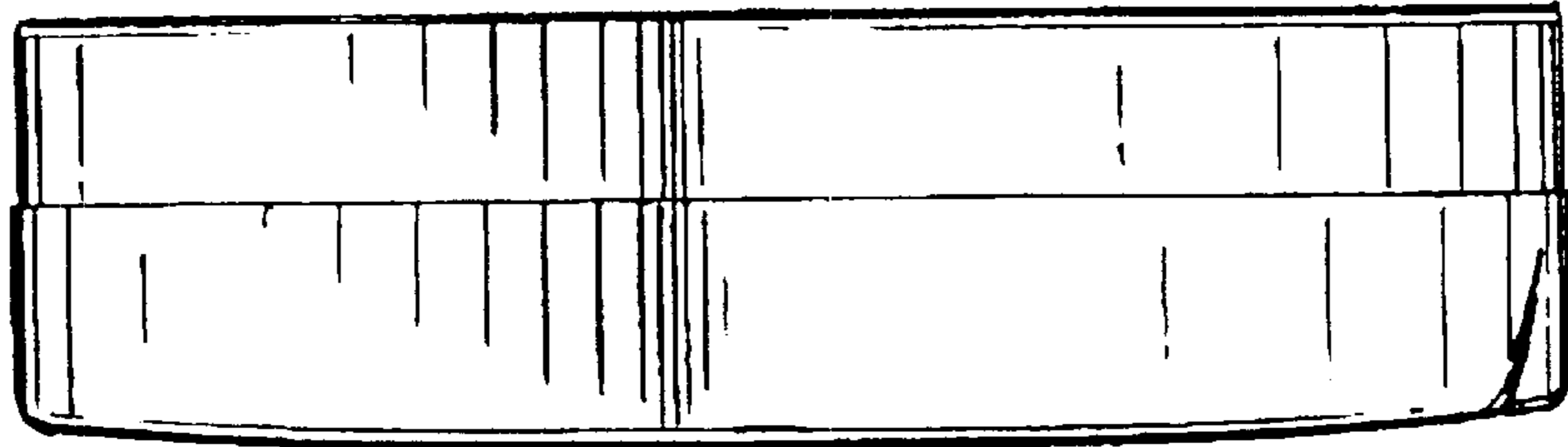


FIG. 5

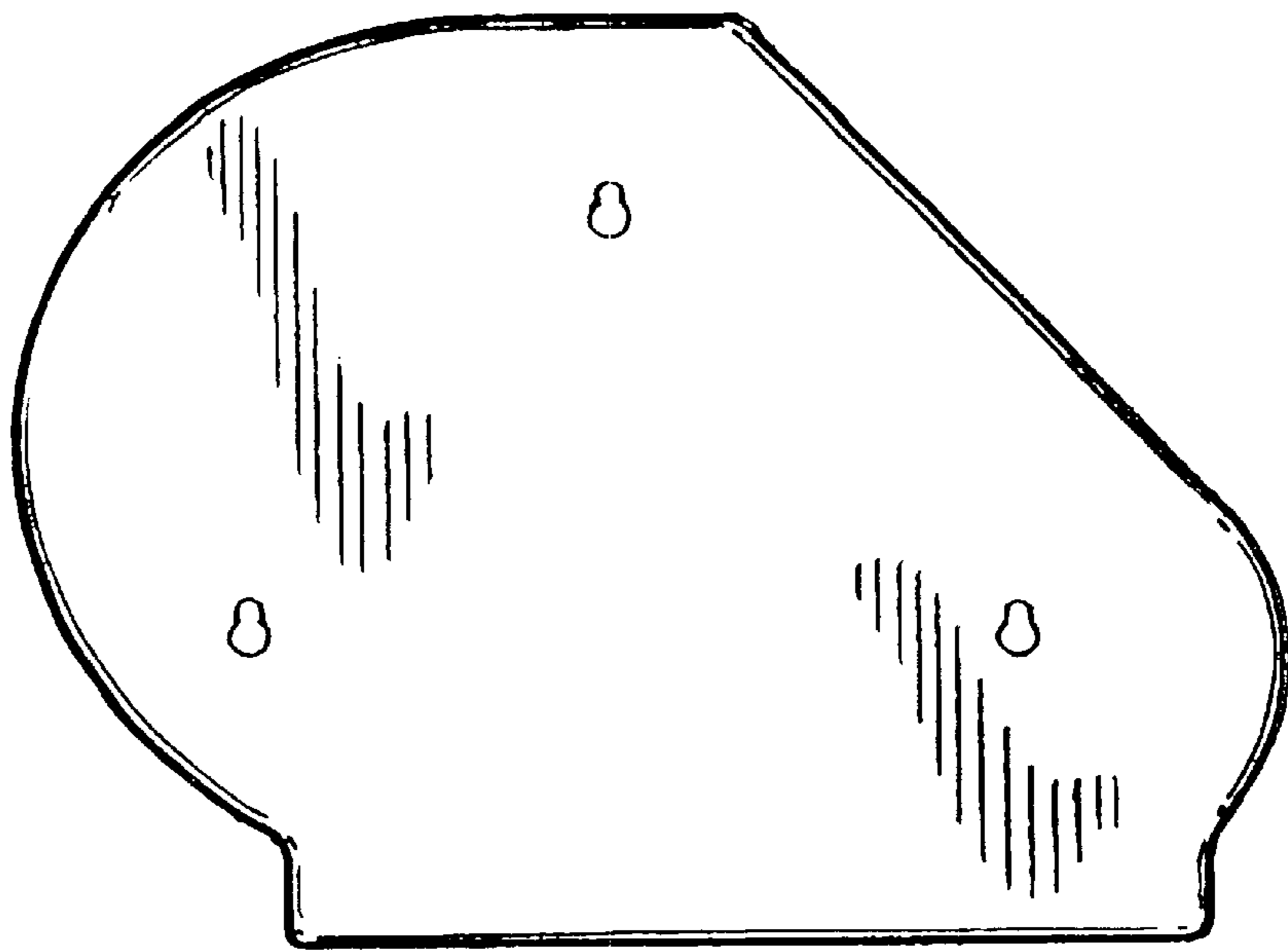


FIG. 6

