



US00D458486S

(12) **United States Design Patent** (10) **Patent No.:** **US D458,486 S**  
**Ong** (45) **Date of Patent:** **\*\* Jun. 11, 2002**

(54) **TISSUE BOX COVER WITH RECESSED FACES**

(76) Inventor: **Bon S. Ong**, P.O. Box 4247, Torrance, CA (US) 90510

(\*\*) Term: **14 Years**

(21) Appl. No.: **29/151,034**

(22) Filed: **Dec. 3, 2001**

(51) **LOC (7) Cl.** ..... **20-02**

(52) **U.S. Cl.** ..... **D6/518**

(58) **Field of Search** ..... D6/515-523; 206/804, 206/812; 211/13.1, 48, 49; 221/22, 33, 45, 286; 312/34.1, 34.4

(56) **References Cited**

**U.S. PATENT DOCUMENTS**

D208,206 S	*	8/1967	Helgeson	.....	D6/522
D371,708 S	*	7/1996	Haley et al.	.....	D6/518
D372,386 S	*	8/1996	Kuchenbecker	.....	D6/518
D390,391 S	*	2/1998	Hsu	.....	D6/518
D403,189 S	*	12/1998	Isaacson	.....	D6/518
D436,273 S	*	1/2001	Lange	.....	D6/519

**OTHER PUBLICATIONS**

Ma Leck Catalogue (1980) p. 31, Tissue Box Covers ML 1550.

\* cited by examiner

*Primary Examiner*—Brian N. Vinson

(74) *Attorney, Agent, or Firm*—Charles H. Thomas

(57) **CLAIM**

I claim the ornamental design for the article tissue box cover with recessed faces, as shown and described.

**DESCRIPTION**

FIG. 1 is a perspective view of one embodiment of a tissue box cover with recessed faces illustrating my new design;

FIG. 2 is a front elevational view thereof, it being understood that the undisclosed rear elevational view is identical thereto;

FIG. 3 is a left-side elevational view thereof, it being understood that the undisclosed right-side elevational view is identical thereto;

FIG. 4 is a top plan view thereof;

FIG. 5 is a bottom plan view thereof;

FIG. 6 is a perspective view of an alternative embodiment of a tissue box cover with recessed faces partially formed with wood grain surface appearances and showing my new design;

FIG. 7 is a front elevational view thereof, it being understood that the undisclosed rear elevational view is identical thereto;

FIG. 8 is a left-side elevational view thereof, it being understood that the undisclosed right-side elevational view is identical thereto;

FIG. 9 is a top plan view thereof;

FIG. 10 is a bottom plan view thereof;

FIG. 11 is a perspective view of an another alternative embodiment of a tissue box cover with recessed faces having smooth, plain surfaces and showing my new design;

FIG. 12 is a front elevational view thereof, it being understood that the undisclosed rear elevational view is identical thereto; and

FIG. 13 is a left-side elevational view thereof, it being understood that the undisclosed right-side elevational view is identical thereto.

FIG. 14 is a top plan view thereof; and,

FIG. 15 is a bottom plan view thereof.

**1 Claim, 9 Drawing Sheets**

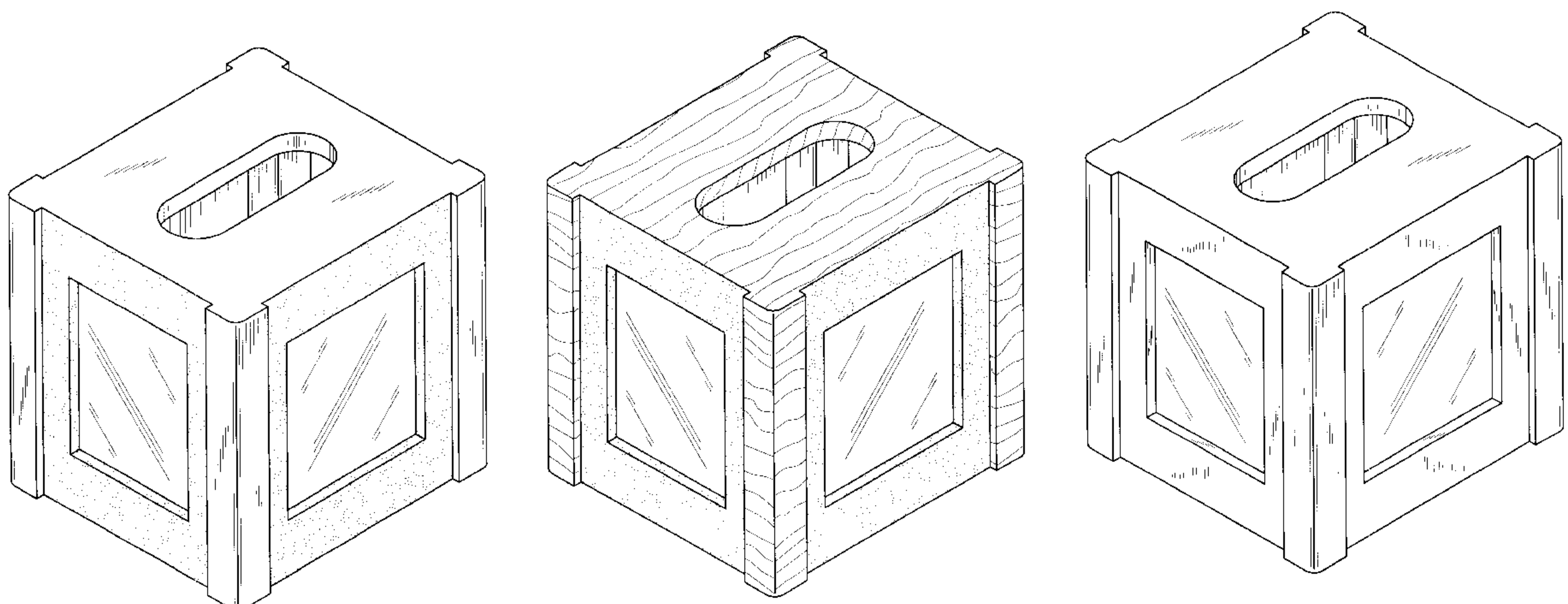


FIG. 1

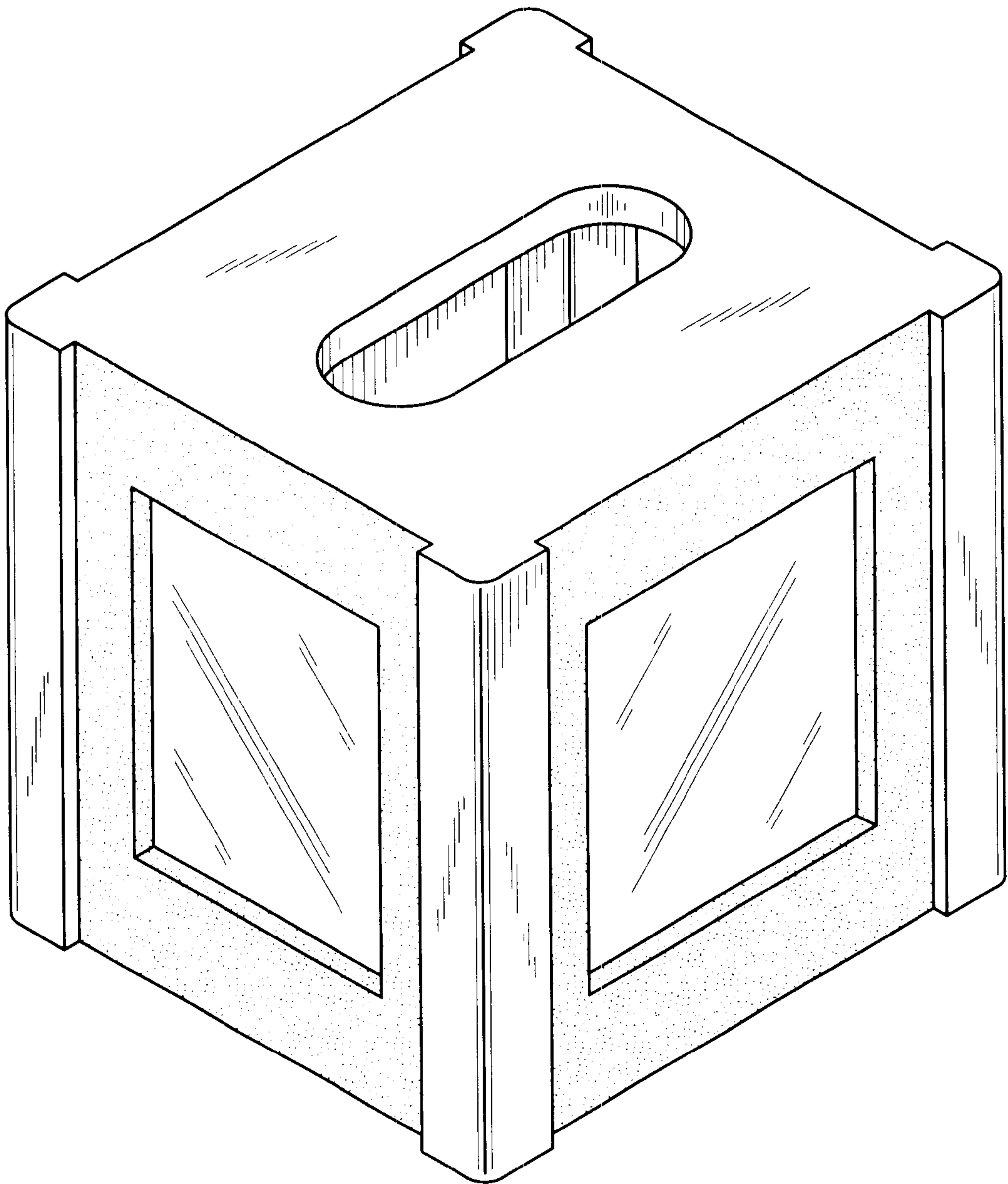


FIG. 3

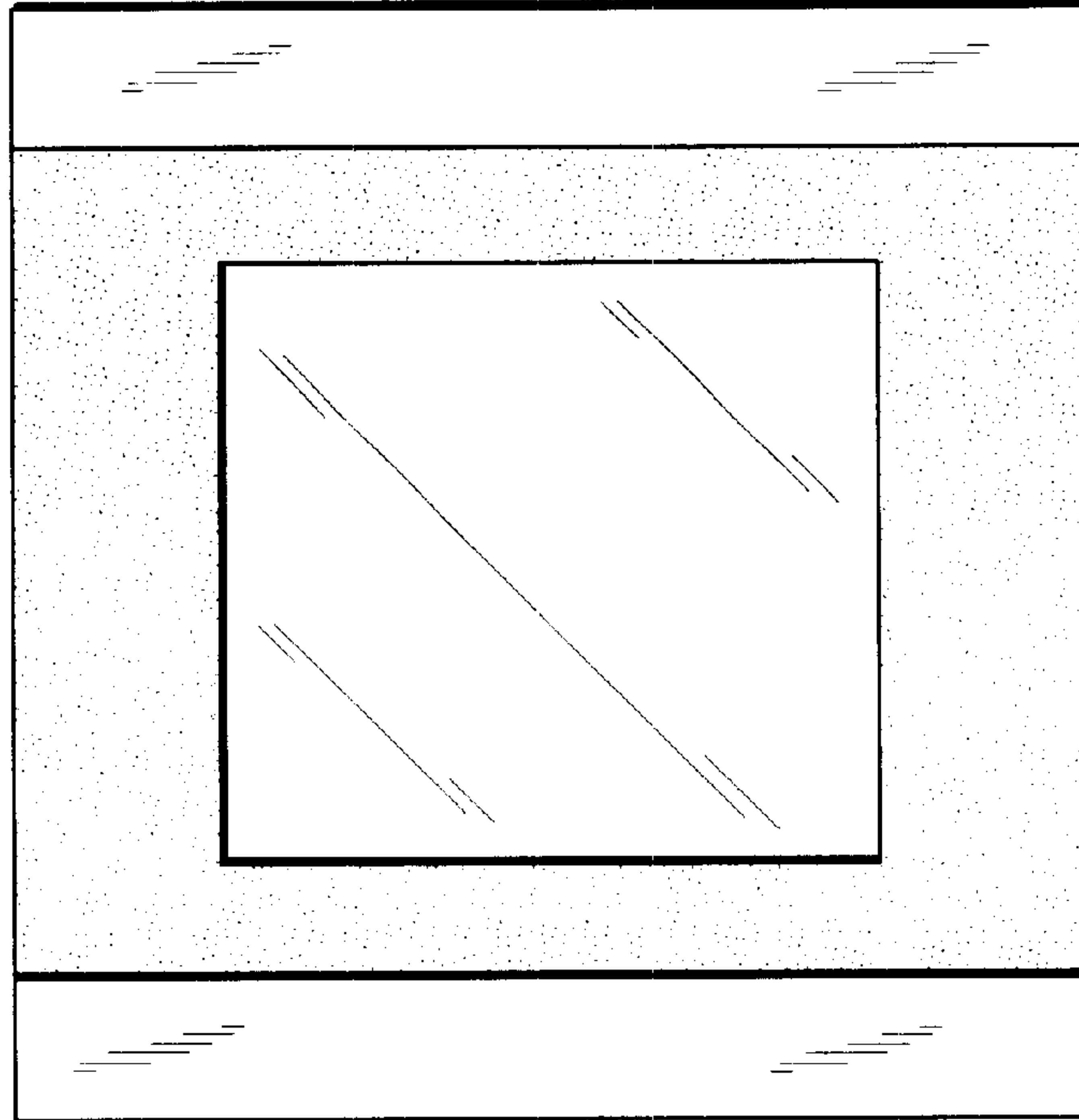


FIG. 2

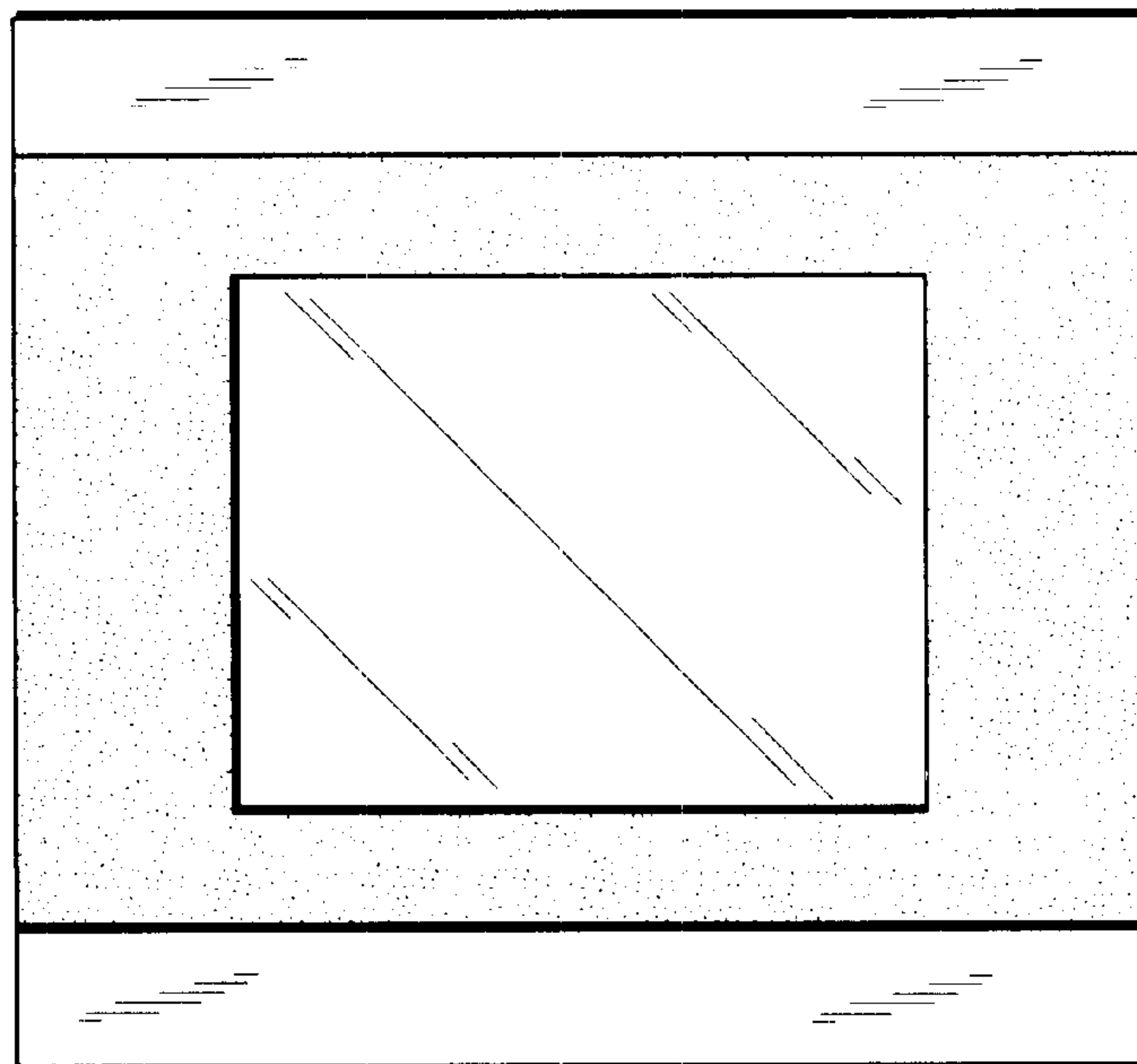


FIG. 4

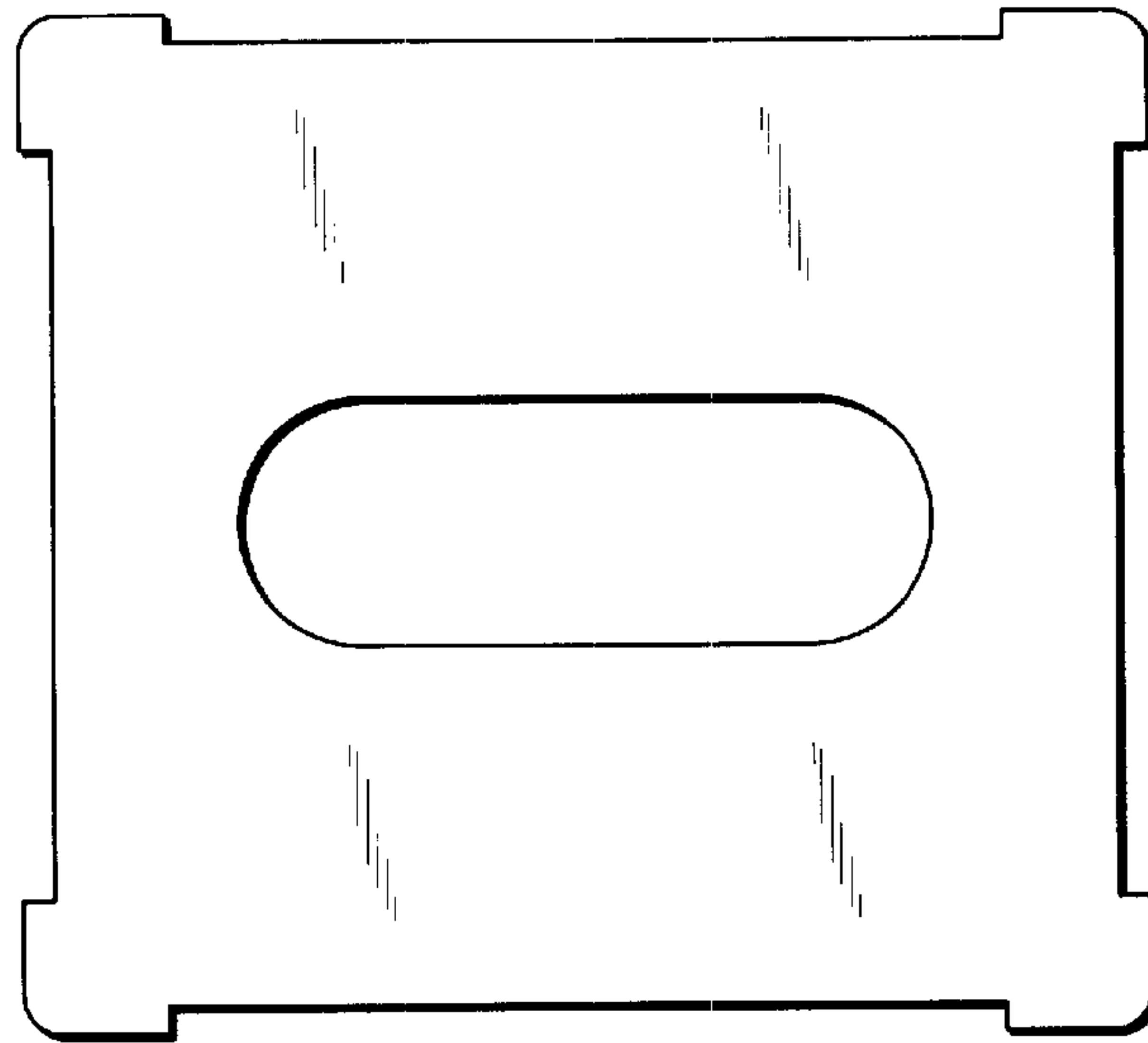


FIG. 5

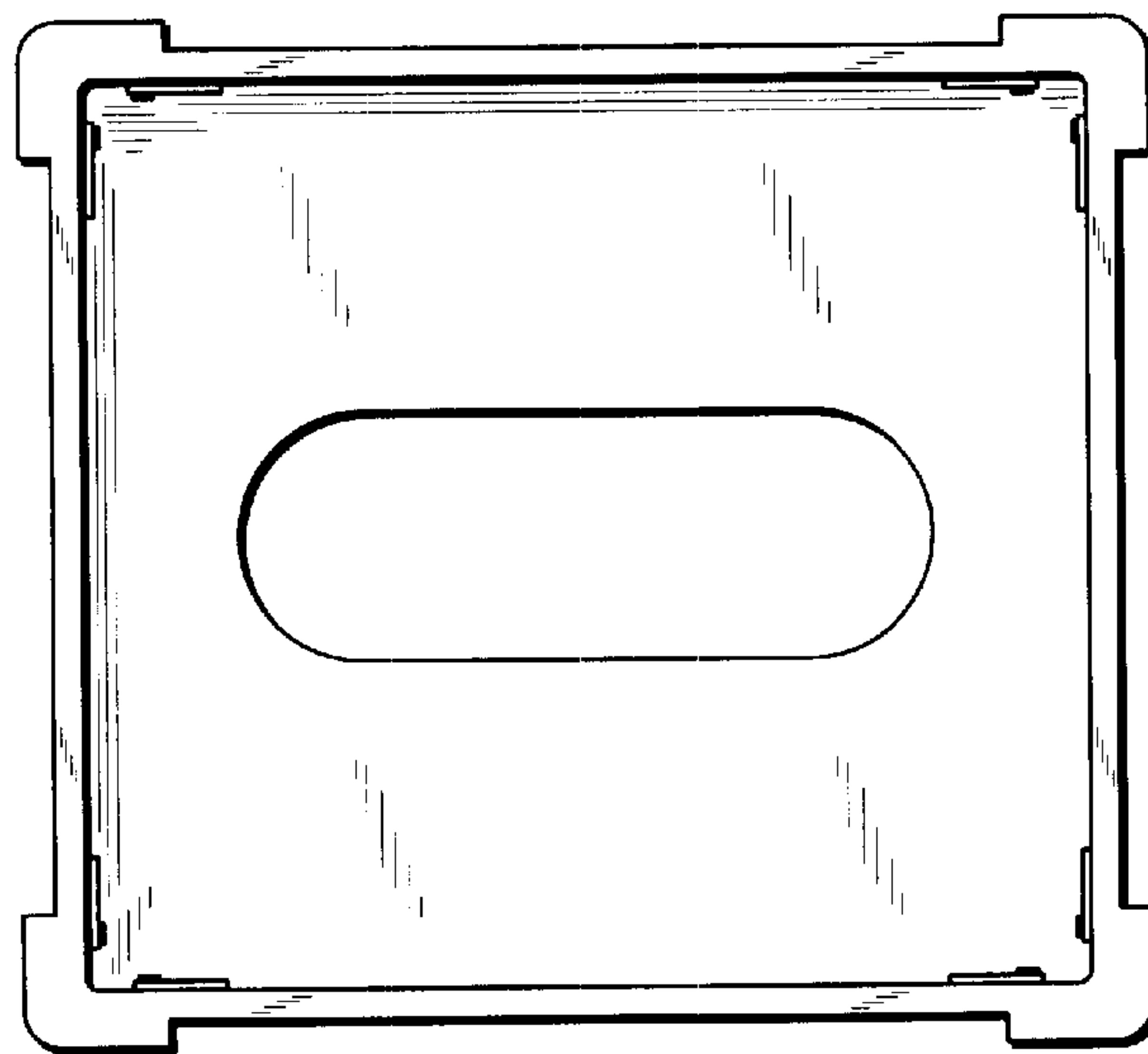




FIG. 6

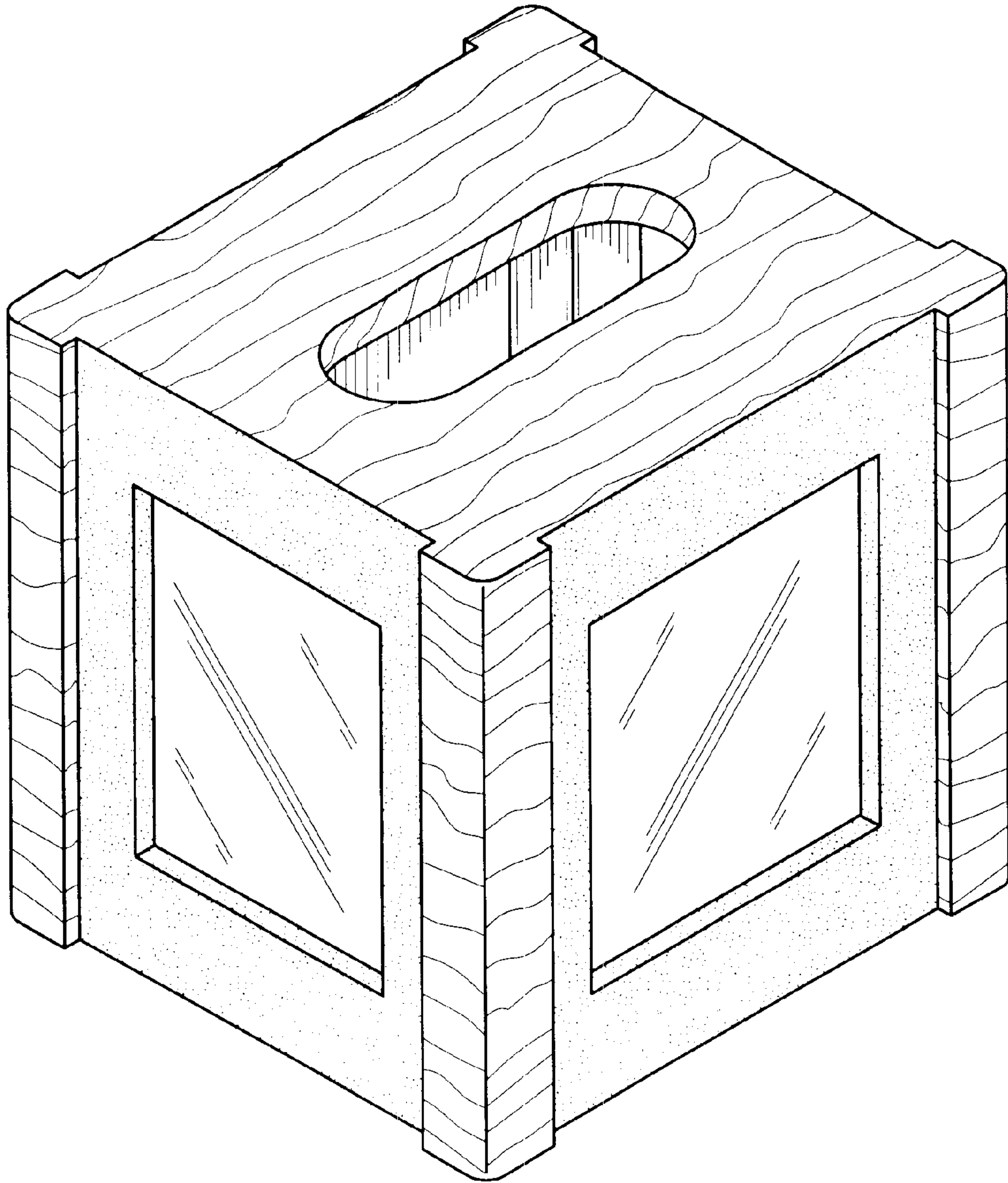


FIG. 8

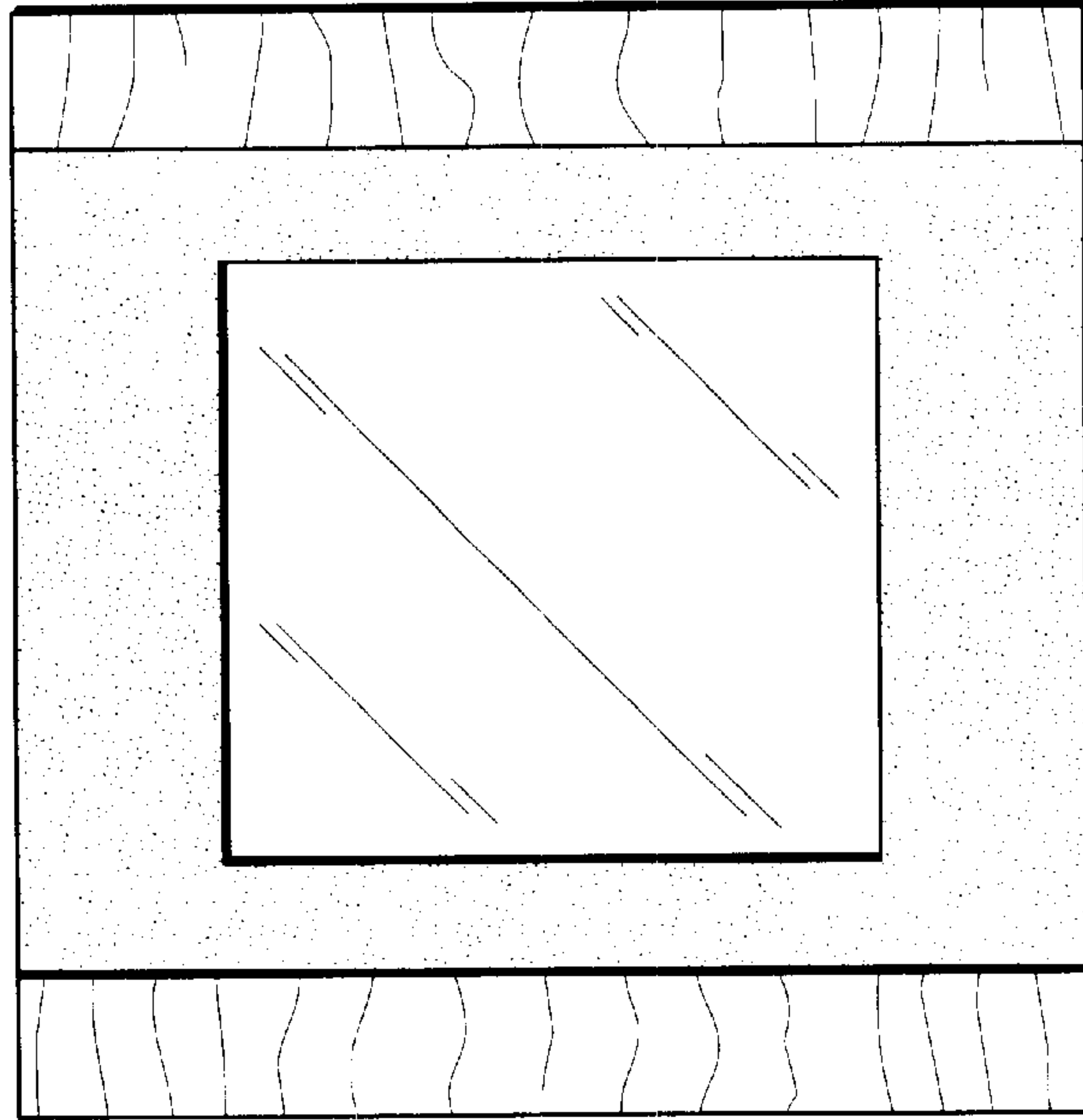


FIG. 7

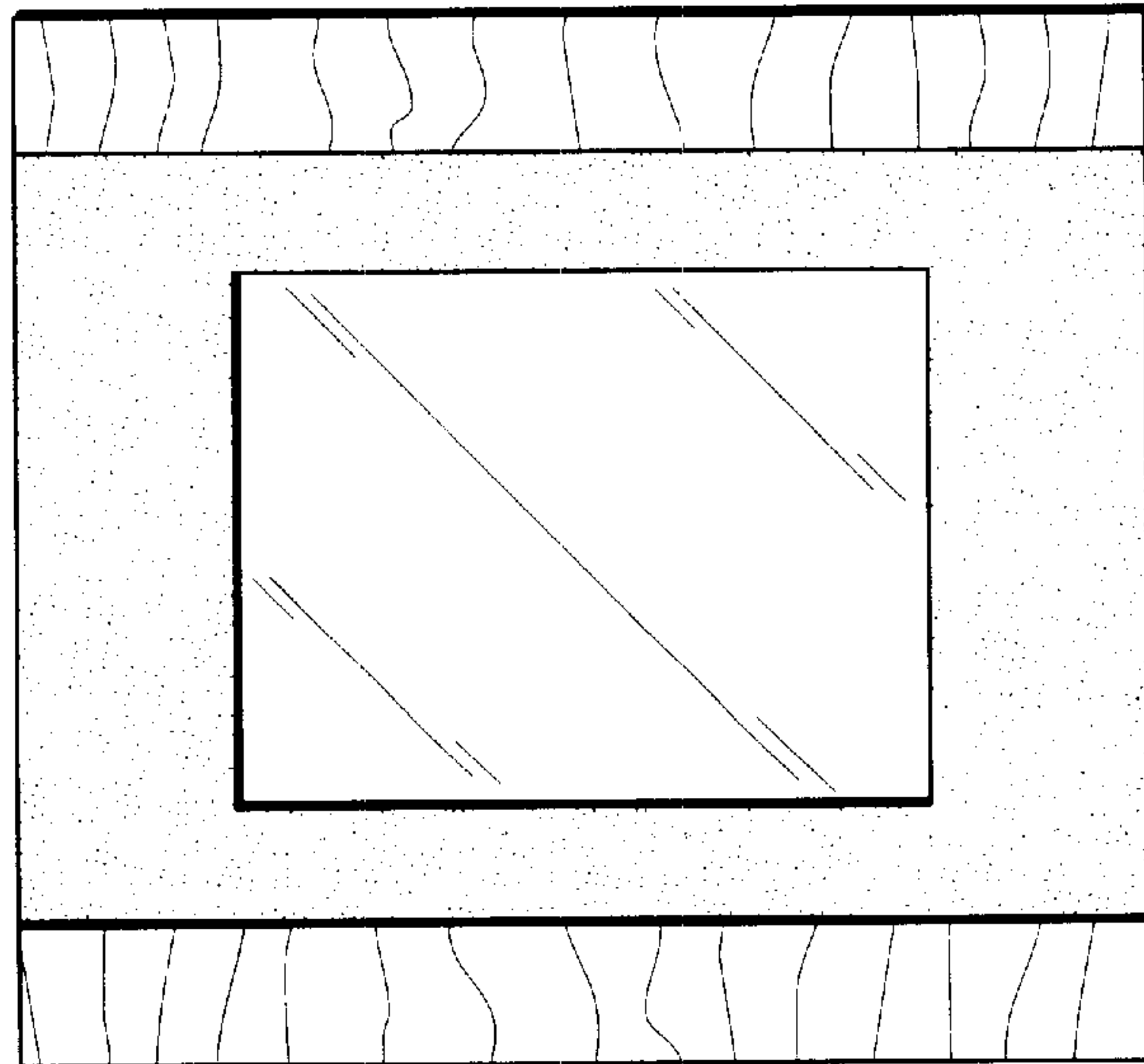


FIG. 9

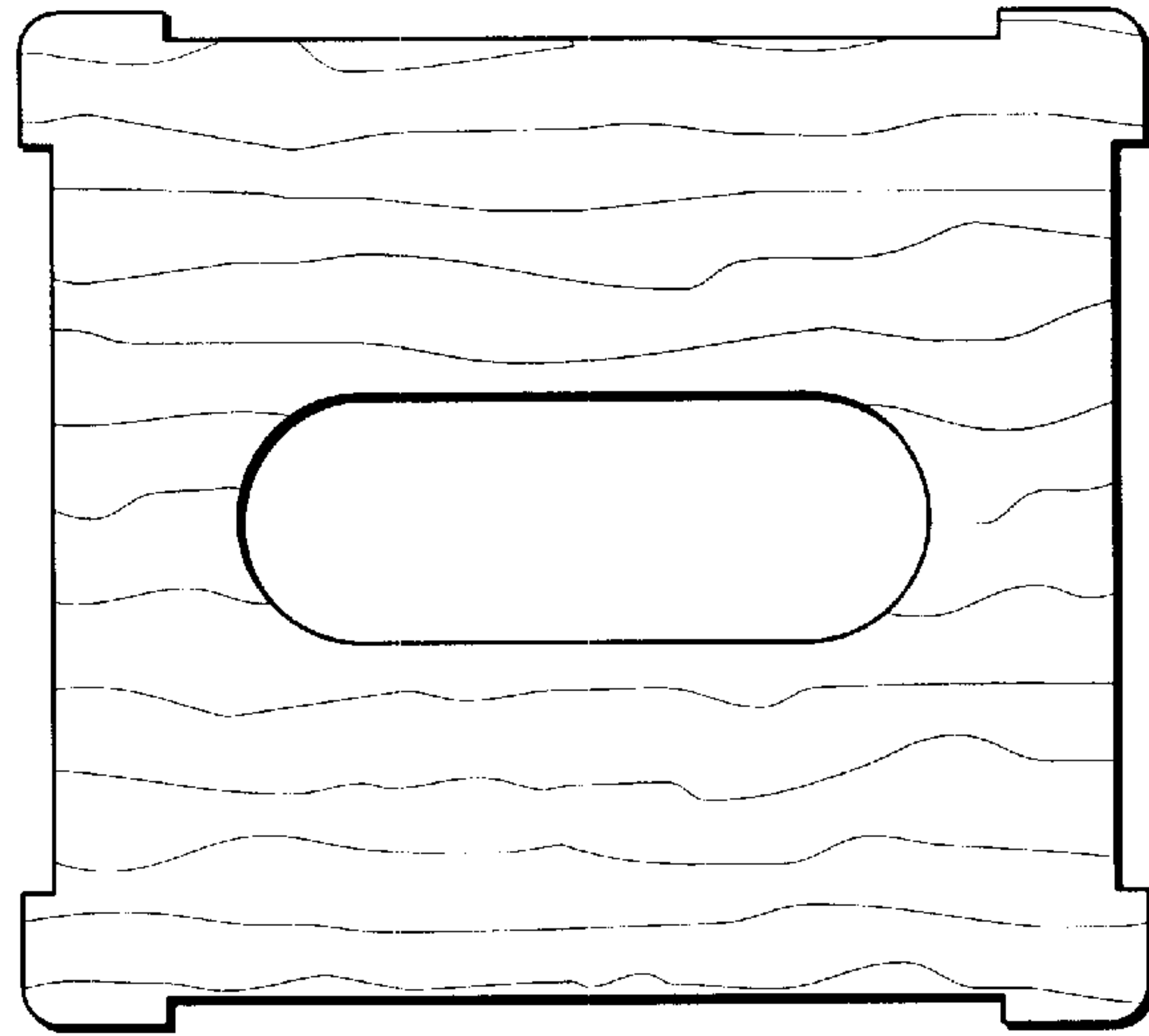


FIG. 10

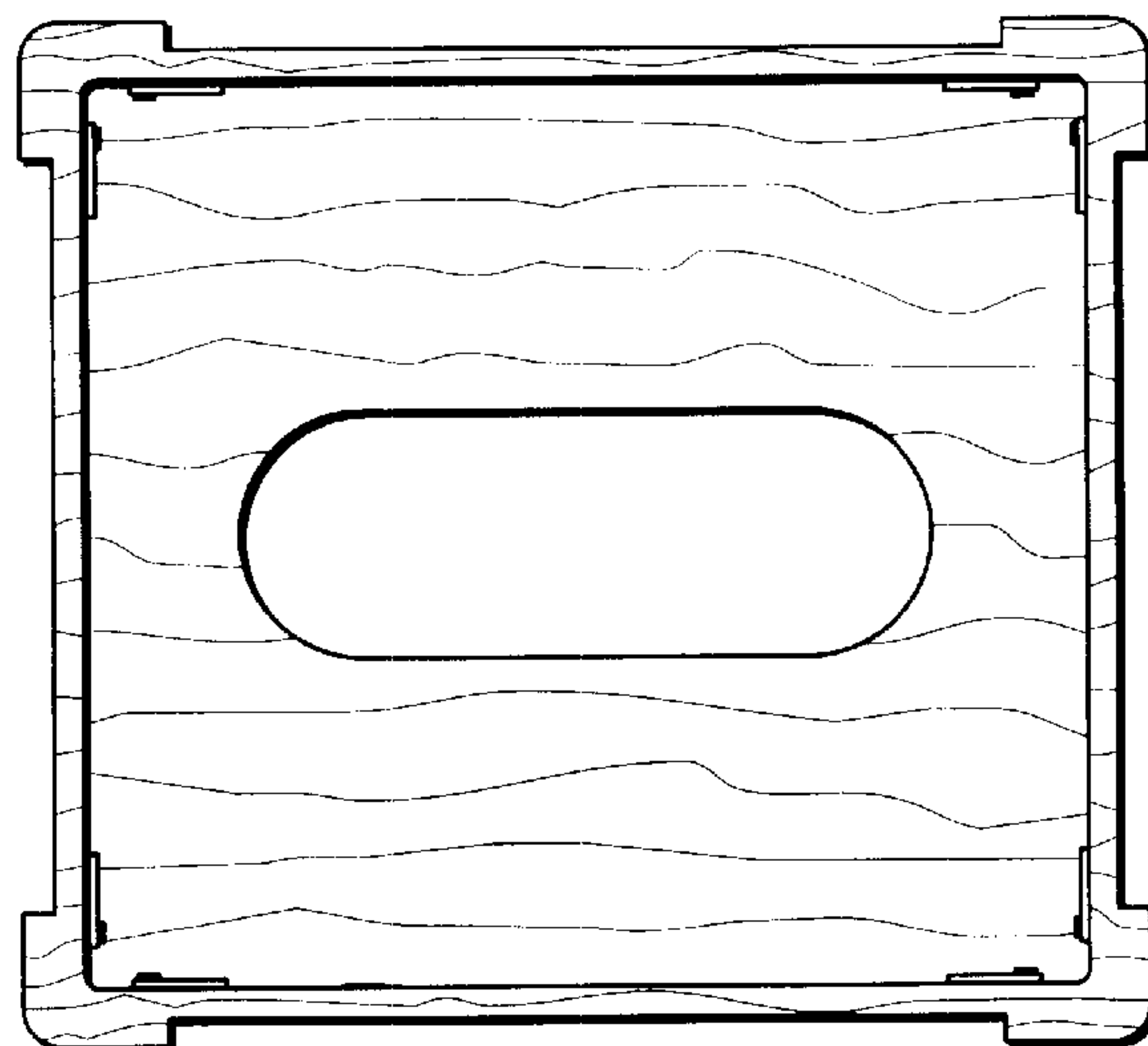


FIG. 11

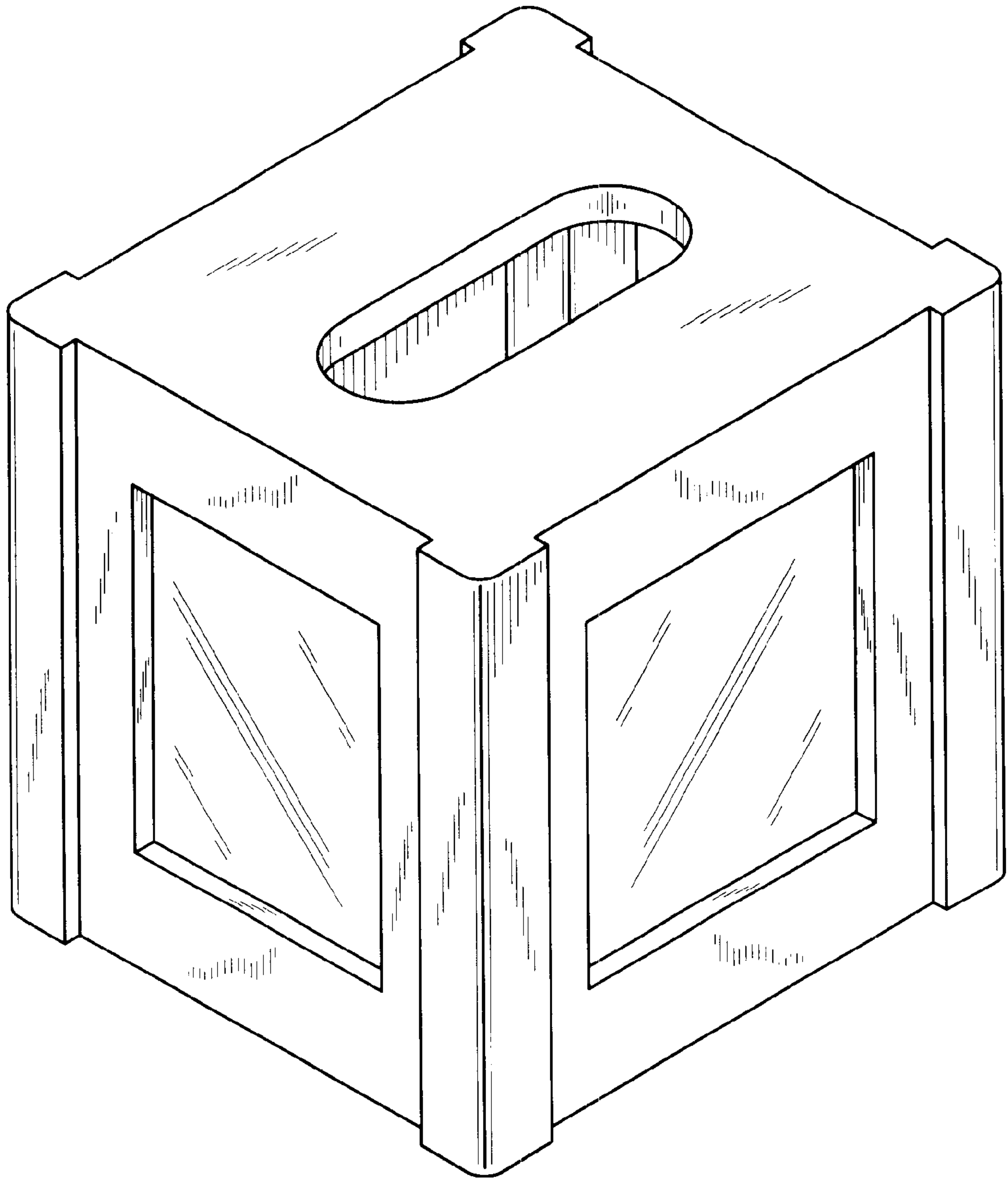




FIG. 13

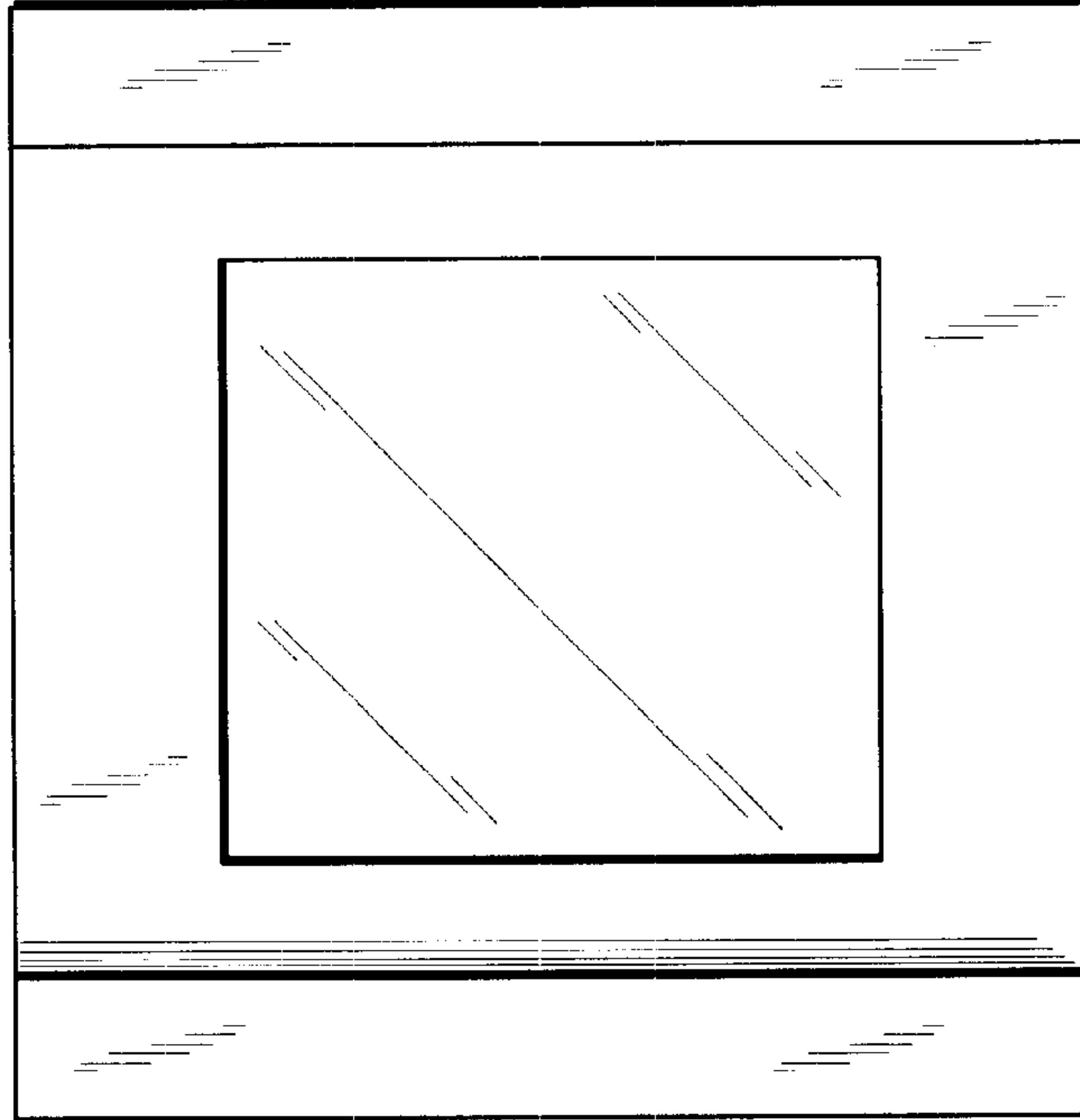


FIG. 12

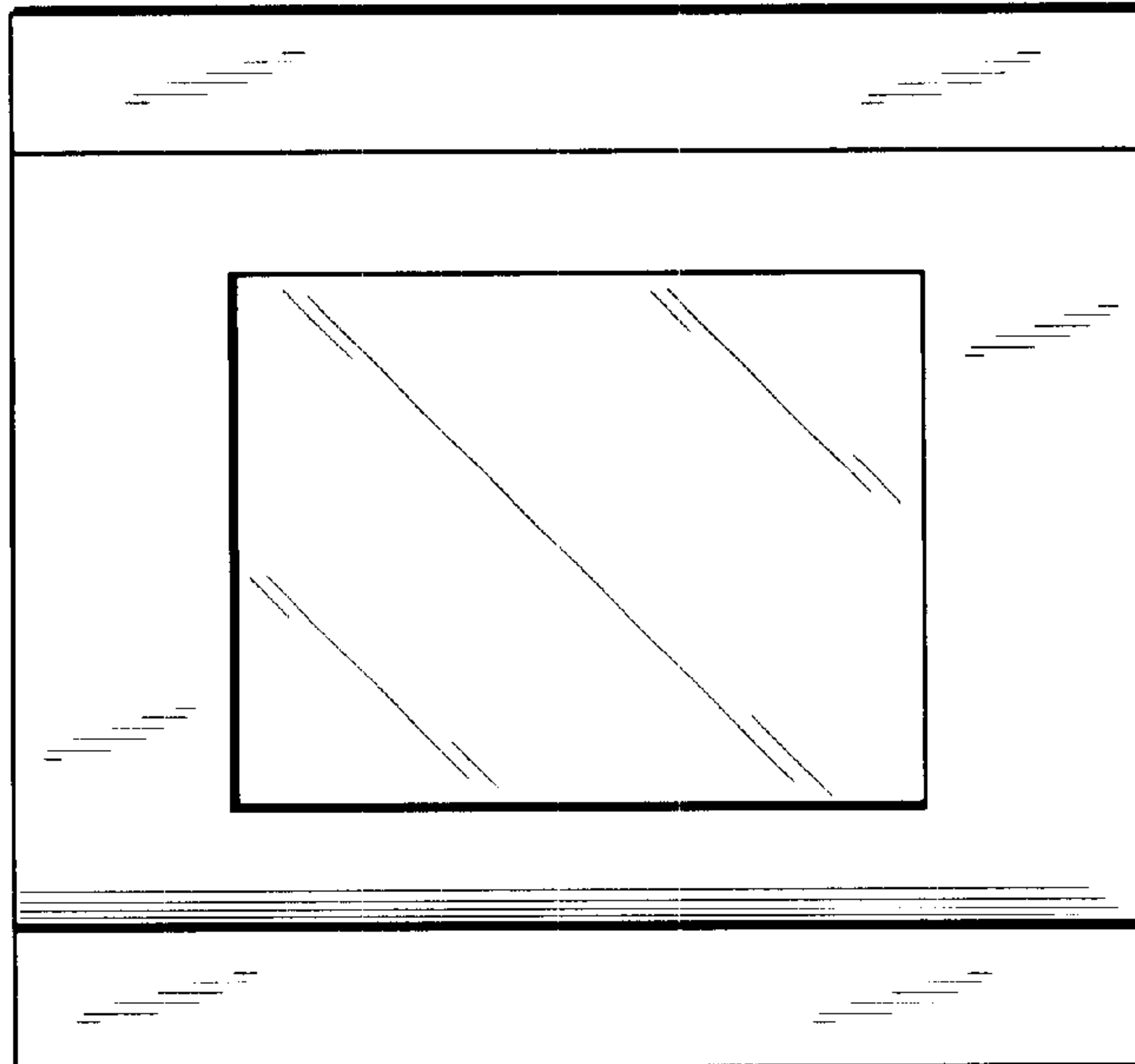


FIG. 14

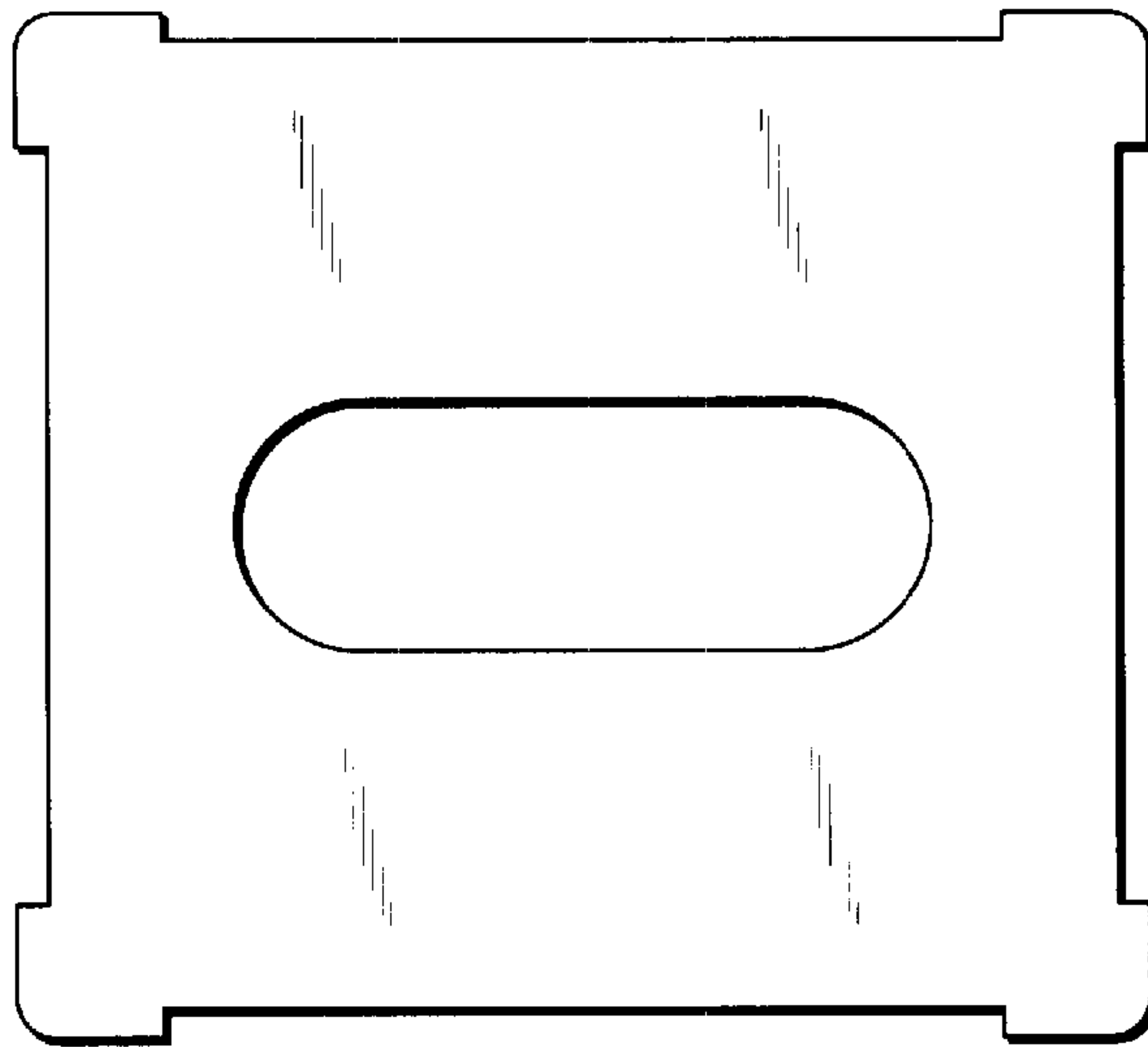


FIG. 15

