



US00D458485S

(12) **United States Design Patent**  
**Tramontina**

(10) **Patent No.:** **US D458,485 S**

(45) **Date of Patent:** **\*\* Jun. 11, 2002**

(54) **ORNAMENTAL MOUNTING STAND AND BRACKETS**

(75) **Inventor:** **Paul Francis Tramontina**, Alpharetta, GA (US)

(73) **Assignee:** **Kimberly-Clark Worldwide, Inc.**, Neenah, WI (US)

(\*\*) **Term:** **14 Years**

(21) **Appl. No.:** **29/129,485**

(22) **Filed:** **Sep. 14, 2000**

(51) **LOC (7) Cl.** ..... **20-02**

(52) **U.S. Cl.** ..... **D6/515; D6/495; D7/631**

(58) **Field of Search** ..... D6/515-523, 396, D6/408, 411, 491, 495, 496, 509; D7/631; 211/45-48, 13.1, 86.01; 222/173-174, 180; 221/282, 284, 45; 248/205.1, 218.4, 346.01, 910

(56) **References Cited**

**U.S. PATENT DOCUMENTS**

369,476 A	9/1887	Slaughter	
923,647 A	6/1909	Gullong	
1,424,907 A	8/1922	Hulit	
1,684,188 A	9/1928	Merrin	
1,696,556 A	12/1928	Schofer	
1,702,983 A	2/1929	Shaffer et al.	
D156,439 S	* 12/1949	Lebensfeld	D6/495
2,945,659 A	7/1960	McDonald	248/156
3,324,754 A	6/1967	Peavy	83/648
3,415,475 A	* 12/1968	Goodman	248/910 X

D233,926 S	* 12/1974	Sebel	D6/495
3,865,249 A	* 2/1975	Herzog	248/218.4
D243,986 S	* 4/1977	O'Leary, Jr.	D6/495
D313,716 S	* 1/1991	Jacques	D6/523
5,090,592 A	* 2/1992	Petterson et al.	221/45 X
D350,041 S	* 8/1994	Schwarzli	D6/495
5,732,833 A	3/1998	Alvarado et al.	211/59.1
D403,823 S	* 1/1999	Thomsen	D6/495 X
D427,467 S	* 7/2000	Akoto	D6/515
D435,379 S	* 12/2000	Nguyen	D6/515
D445,273 S	* 7/2001	Brown et al.	D6/396
D447,649 S	* 9/2001	Mason	D6/495
D449,496 S	* 10/2001	Tramontina	D7/631

\* cited by examiner

*Primary Examiner*—Brian N. Vinson

(74) *Attorney, Agent, or Firm*—Karl V. Sidor

(57) **CLAIM**

I claim the ornamental design for an ornamental mounting stand and brackets, as shown and described.

**DESCRIPTION**

FIG. 1 is an oblique elevational view as seen from the left front edge of a mounting stand and brackets showing my new design.

FIG. 2 is a front elevational view thereof.

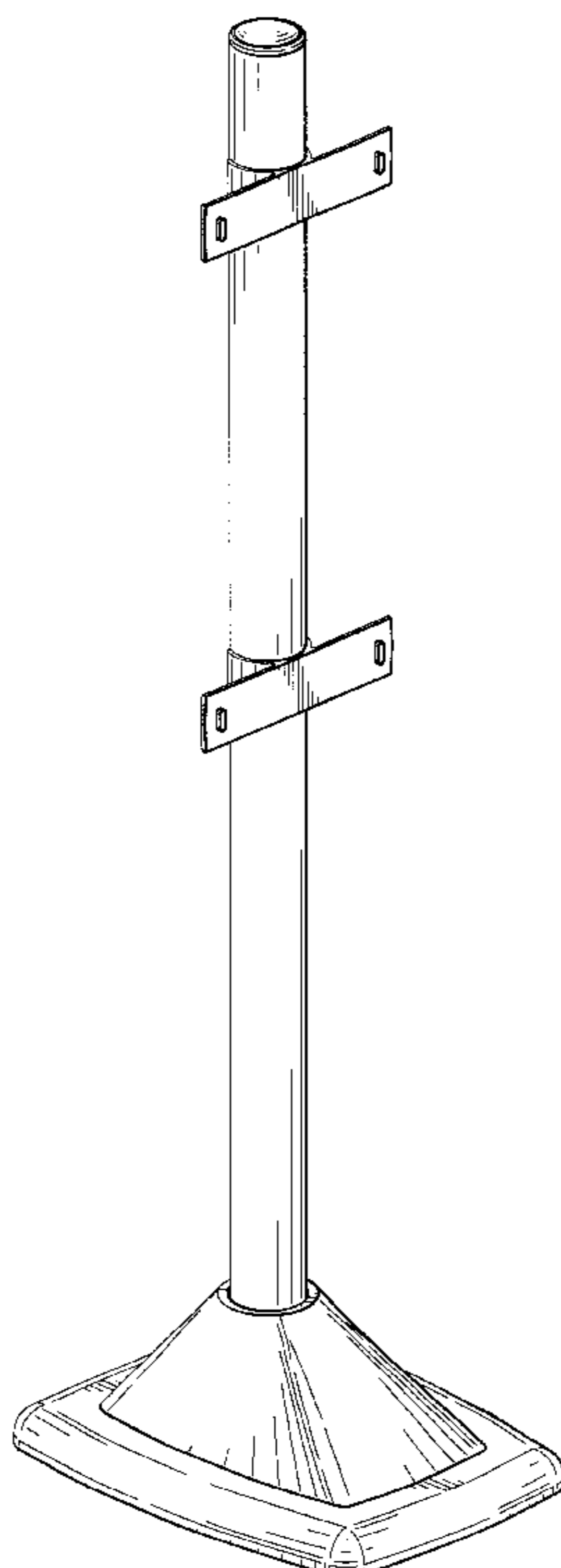
FIG. 3 is a left side elevational view thereof, the right side being a mirror image.

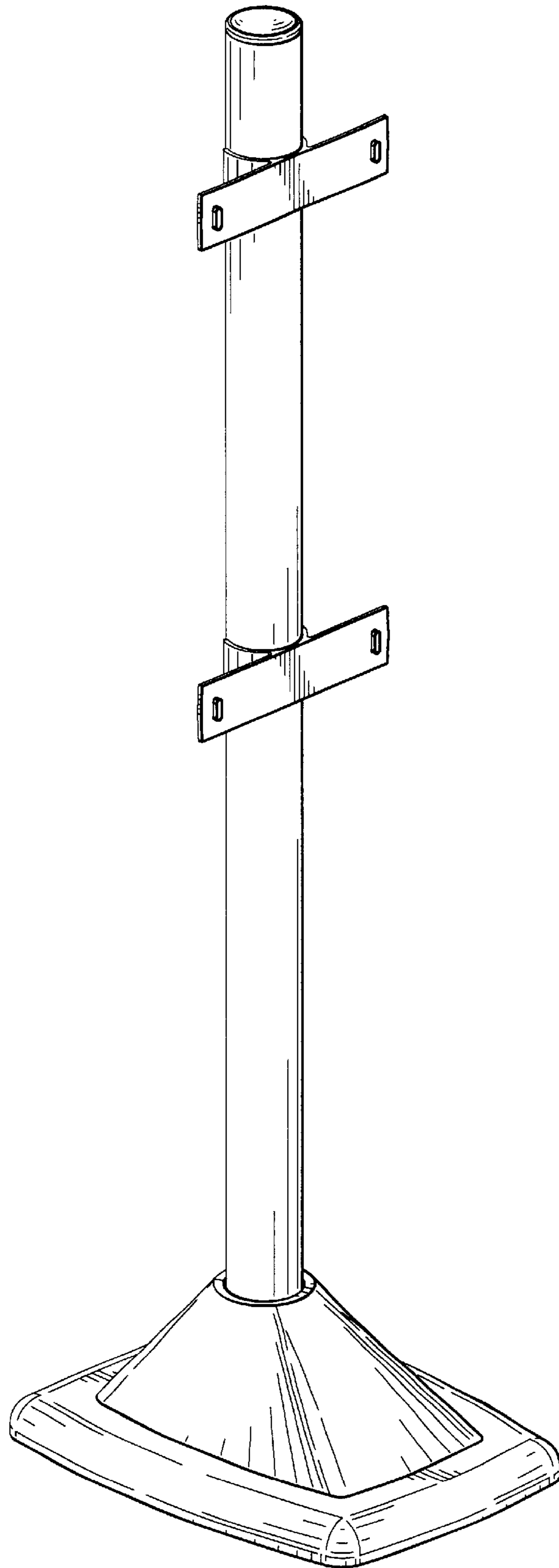
FIG. 4 is a rear elevational view thereof.

FIG. 5 is a top plan view thereof; and,

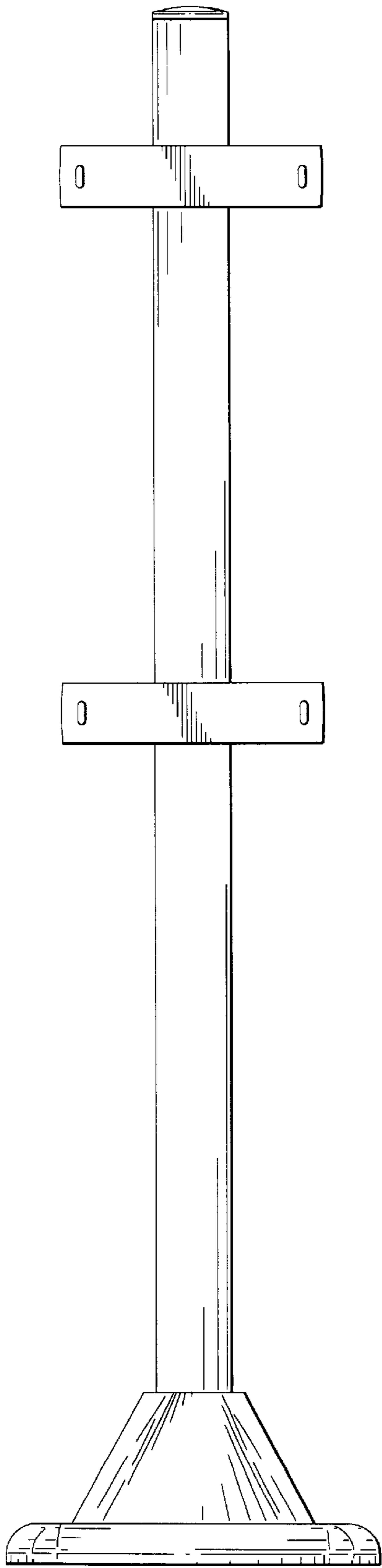
FIG. 6 is a bottom plan view thereof.

**1 Claim, 3 Drawing Sheets**

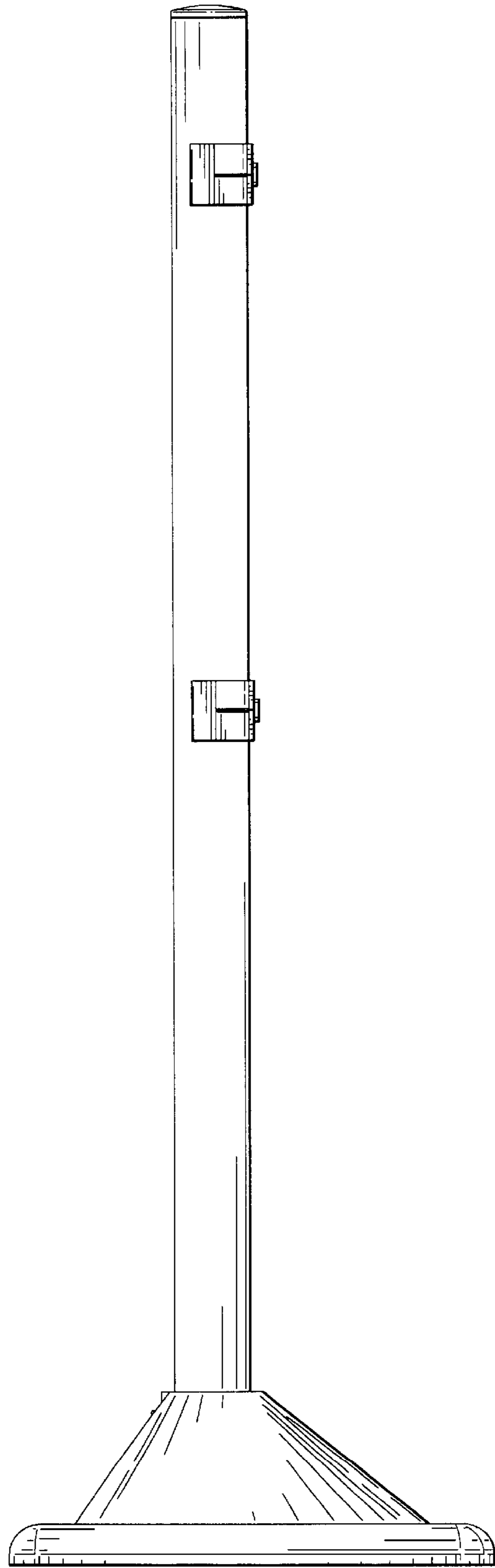




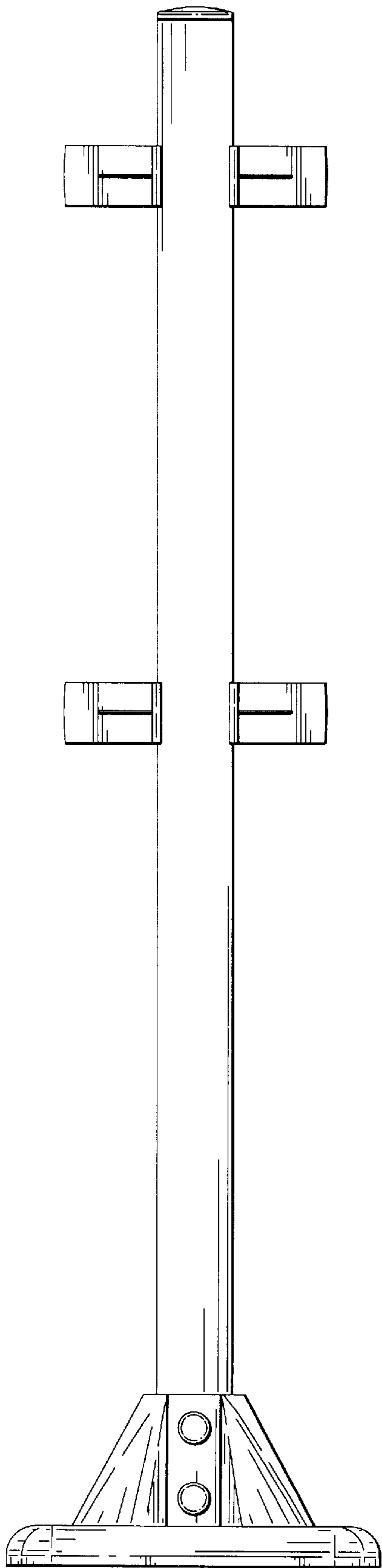
**FIG 1**



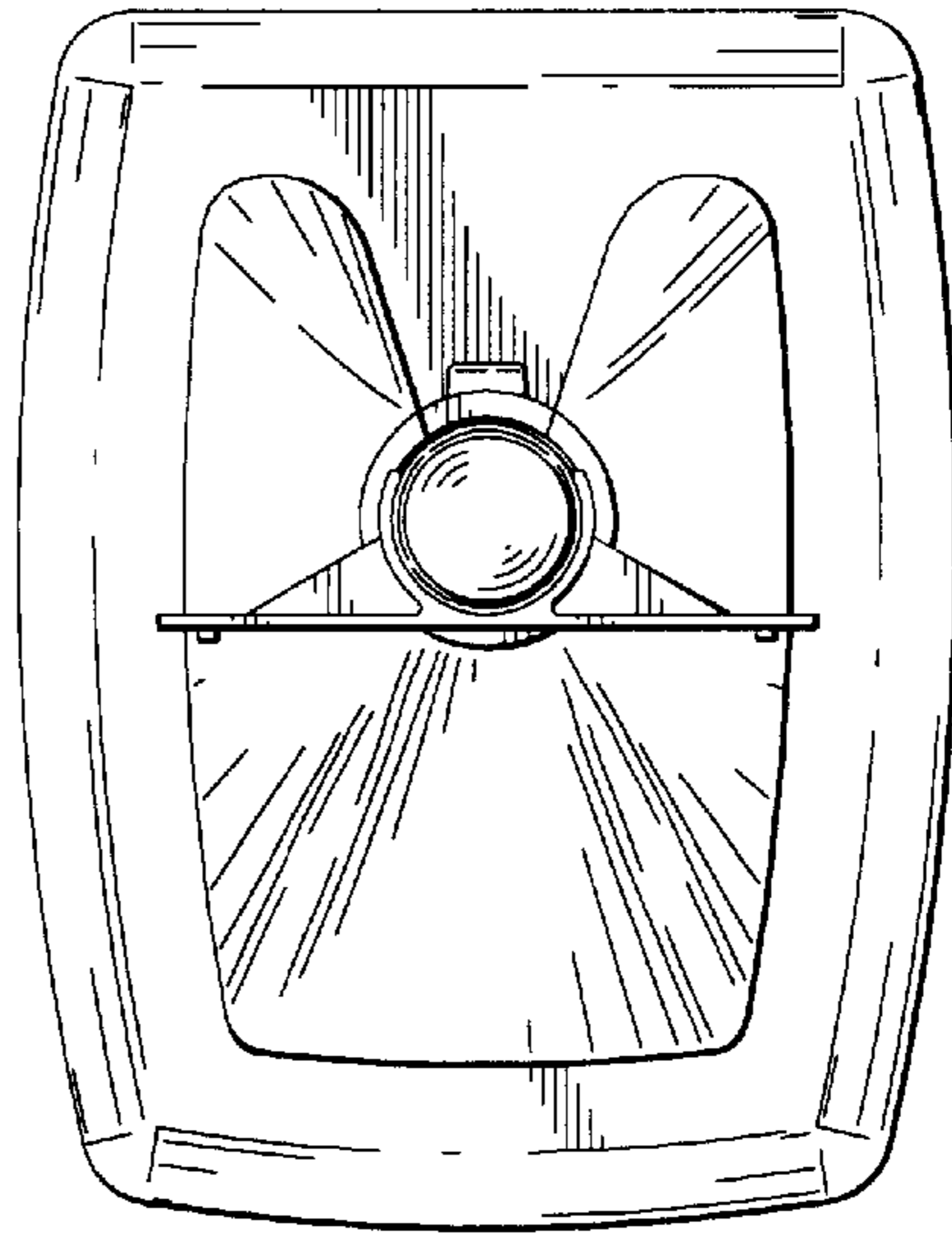
**FIG 2**



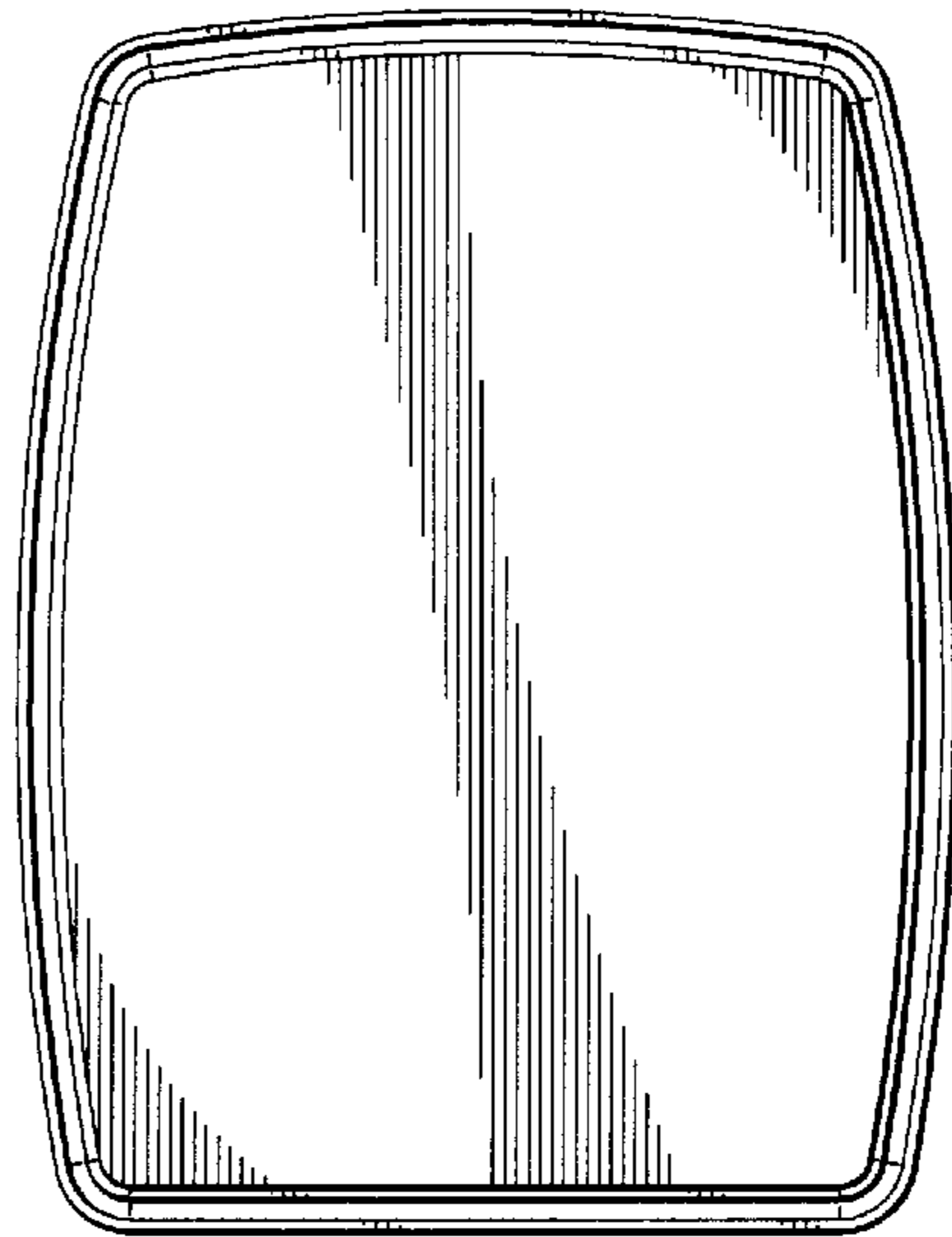
**FIG 3**



**FIG 4**



**FIG 5**



**FIG 6**