



US00D458484S

(12) **United States Design Patent**  
**Wood**

(10) **Patent No.:** **US D458,484 S**

(45) **Date of Patent:** **\*\* Jun. 11, 2002**

(54) **SHELF SECTION**

(76) **Inventor:** **Harry A. Wood**, P.O. Box 1247,  
Snohomish, WA (US) 98291

(\*\*) **Term:** **14 Years**

(21) **Appl. No.:** **29/132,566**

(22) **Filed:** **Nov. 8, 2000**

(51) **LOC (7) Cl.** ..... **06-06**

(52) **U.S. Cl.** ..... **D6/511**

(58) **Field of Search** ..... D6/396, 397, 414,  
D6/449, 491, 509, 510, 511, 574; D8/380,  
381; D19/92; 108/27, 97, 137, 143; 211/153,  
186, 187; 248/225.4

(56) **References Cited**

**U.S. PATENT DOCUMENTS**

2,490,269	A	*	12/1949	Johnson	.....	211/184
4,155,312	A	*	5/1979	Thorkildson	.....	D6/511 X
D277,819	S	*	3/1985	Crosslen	.....	D6/449
D281,040	S	*	10/1985	Campbell et al.	.....	D6/574
D293,531	S	*	1/1988	Wright et al.	.....	D6/511
5,332,611	A	*	7/1994	Shanok et al.	.....	108/27 X
D377,432	S	*	1/1997	McPeck et al.	.....	D6/511
D406,478	S	*	3/1999	Rahman	.....	D6/475
D436,091	S	*	1/2001	Anderson	.....	D6/421 X
6,202,570	B1	*	3/2001	Kurtsman	.....	211/187 X
D445,615	S	*	7/2001	Burke	.....	D6/509

\* cited by examiner

*Primary Examiner*—Cathron C. Brooks

(74) *Attorney, Agent, or Firm*—Robert B. Hughes; Hughes Law Firm, PLLC

(57) **CLAIM**

The ornamental design for a shelf section, as shown.

**DESCRIPTION**

FIG. 1 is an isometric view of the shelf section of the present invention;

FIG. 2 is a top plan view thereof;

FIG. 3 is a front view thereof;

FIG. 4 is a bottom view thereof;

FIG. 5 is a rear view thereof;

FIG. 6 is a side elevational view thereof;

FIG. 7 is an isometric view of a second embodiment of the shelf section of the present invention;

FIG. 8 top plan view thereof;

FIG. 9 is a front view thereof;

FIG. 10 is a bottom view thereof;

FIG. 11 is a rear view thereof;

FIG. 12 is a side elevational view thereof;

FIG. 13 is an isometric view of the third embodiment of the shelf section of the present invention;

FIG. 14 is a top plan view thereof;

FIG. 15 is a front view thereof;

FIG. 16 is a bottom view thereof;

FIG. 17 is a rear view thereof; and,

FIG. 18 is a side elevational view thereof.

**1 Claim, 7 Drawing Sheets**

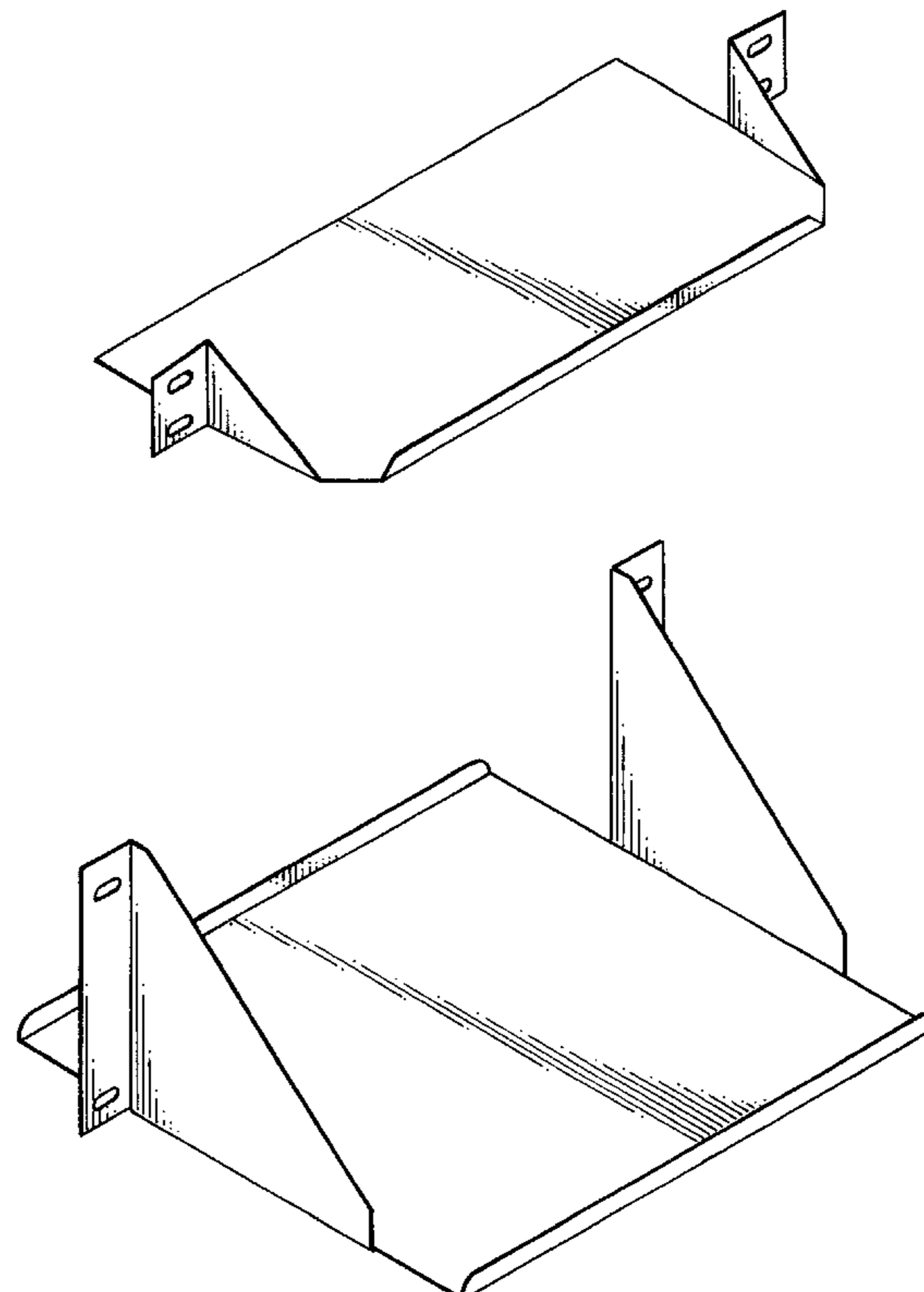


FIG. 1

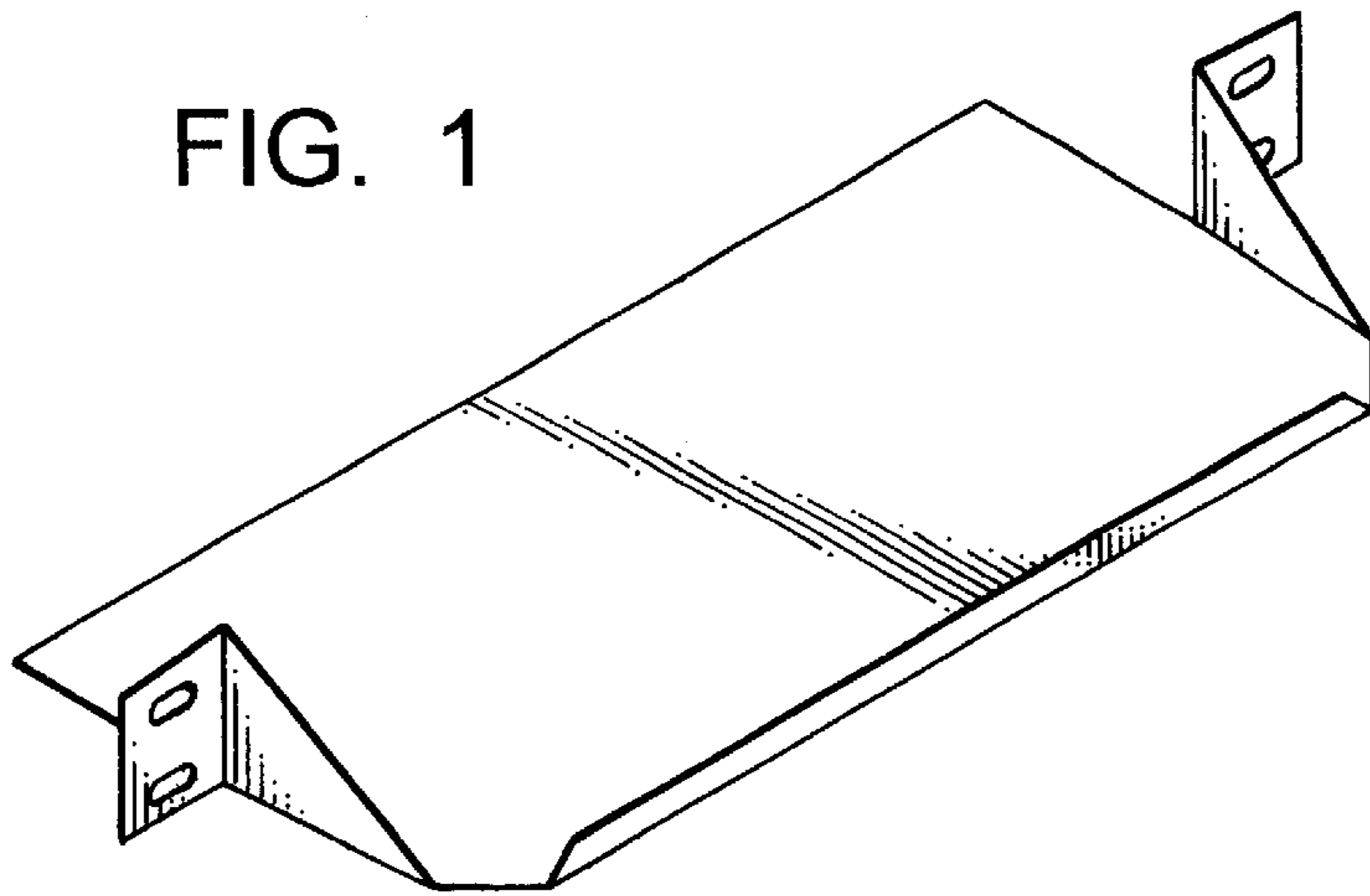


FIG. 2

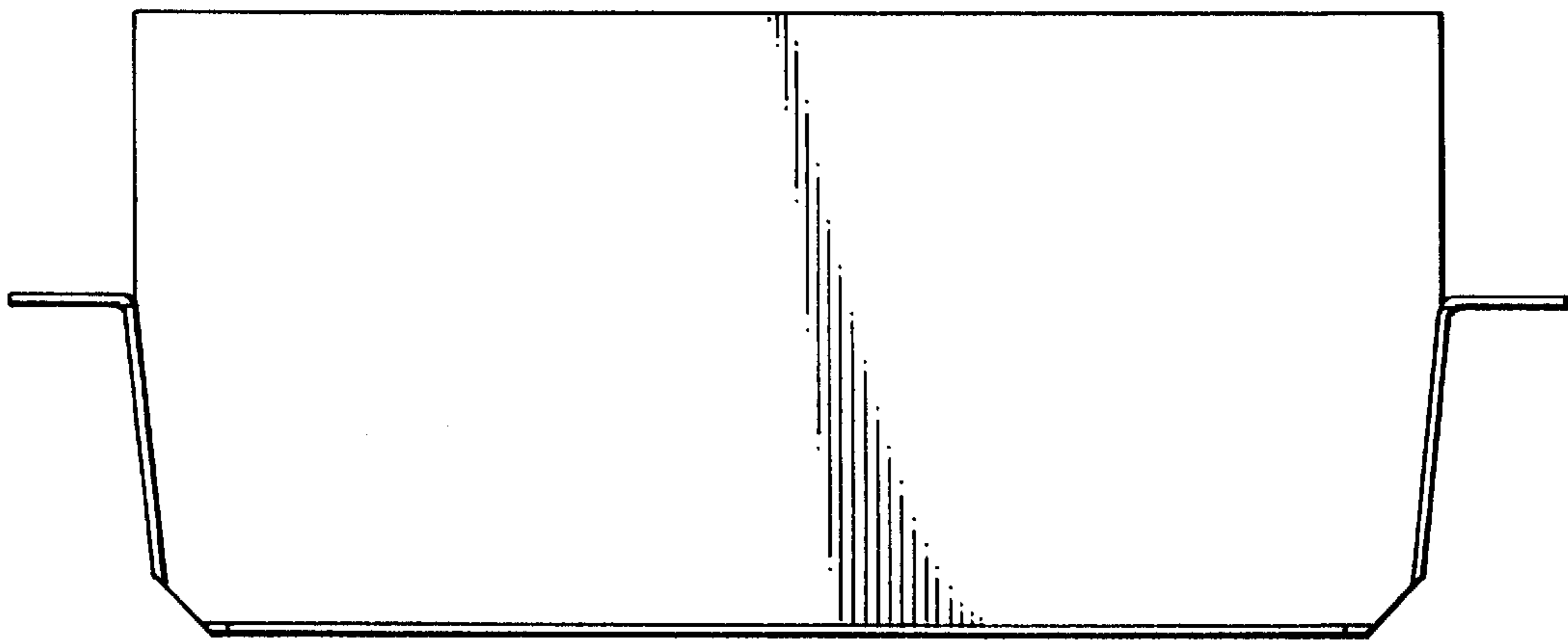


FIG. 3



FIG. 4

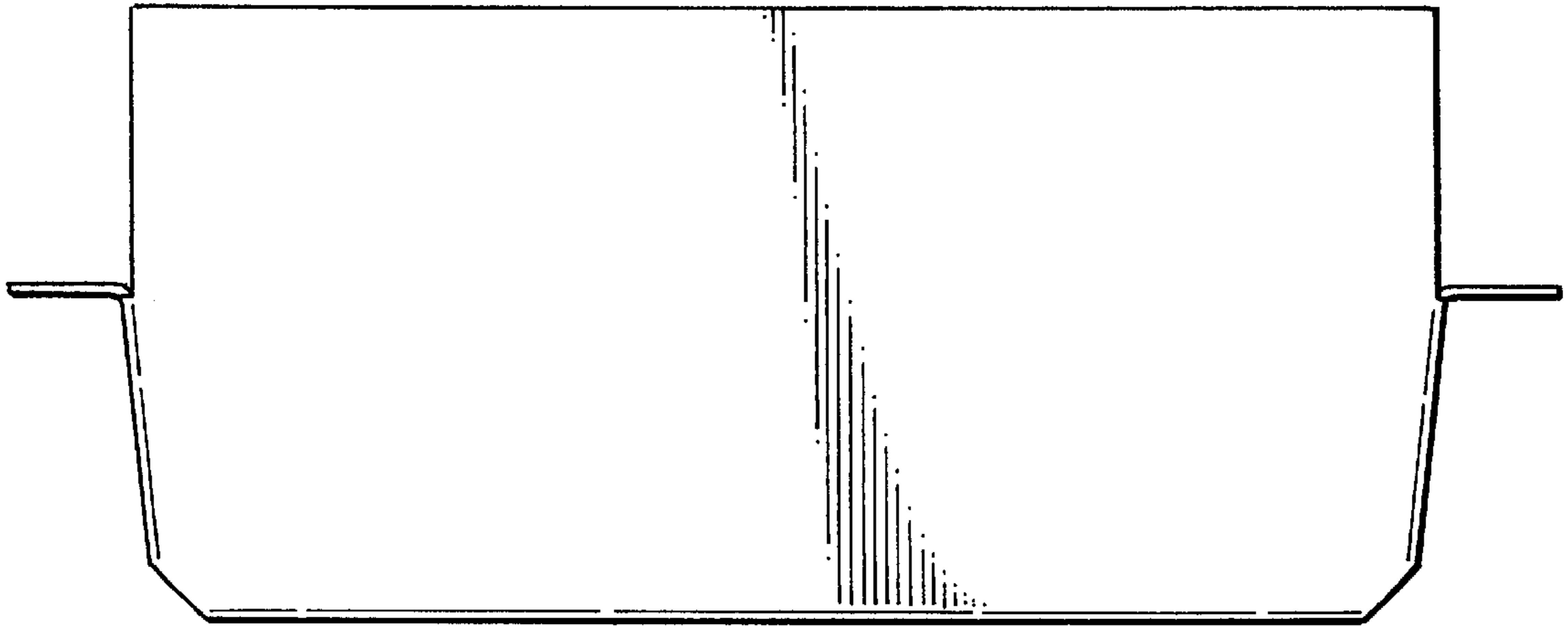


FIG. 5



FIG. 6

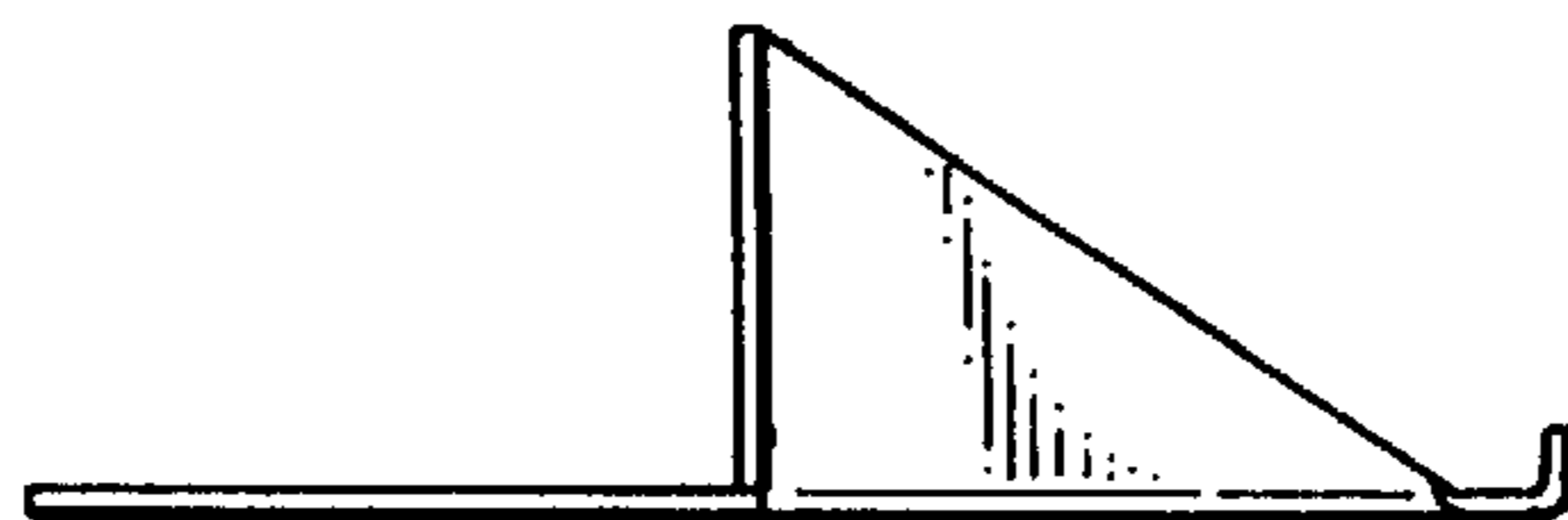


FIG. 7

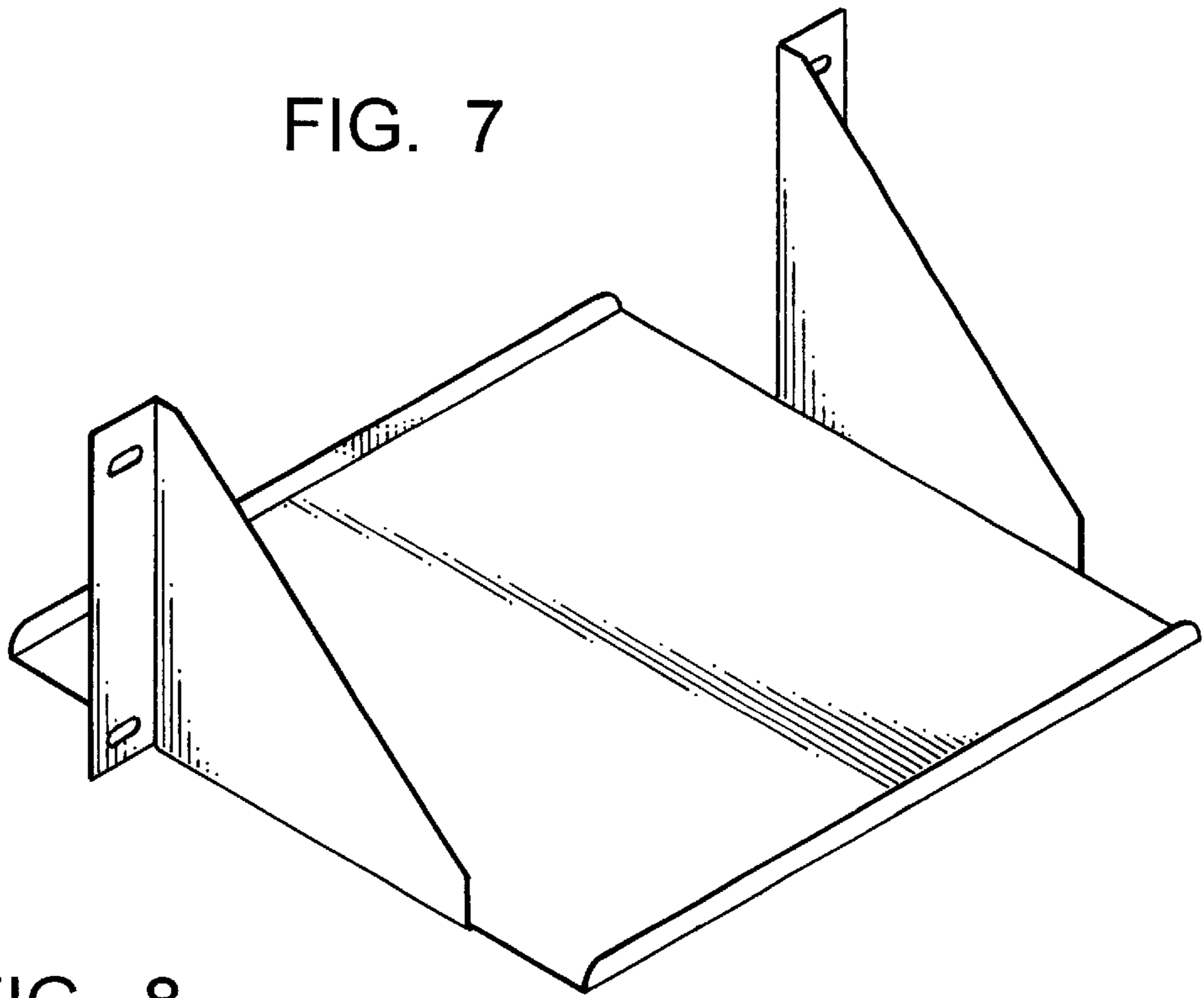


FIG. 8



FIG. 9

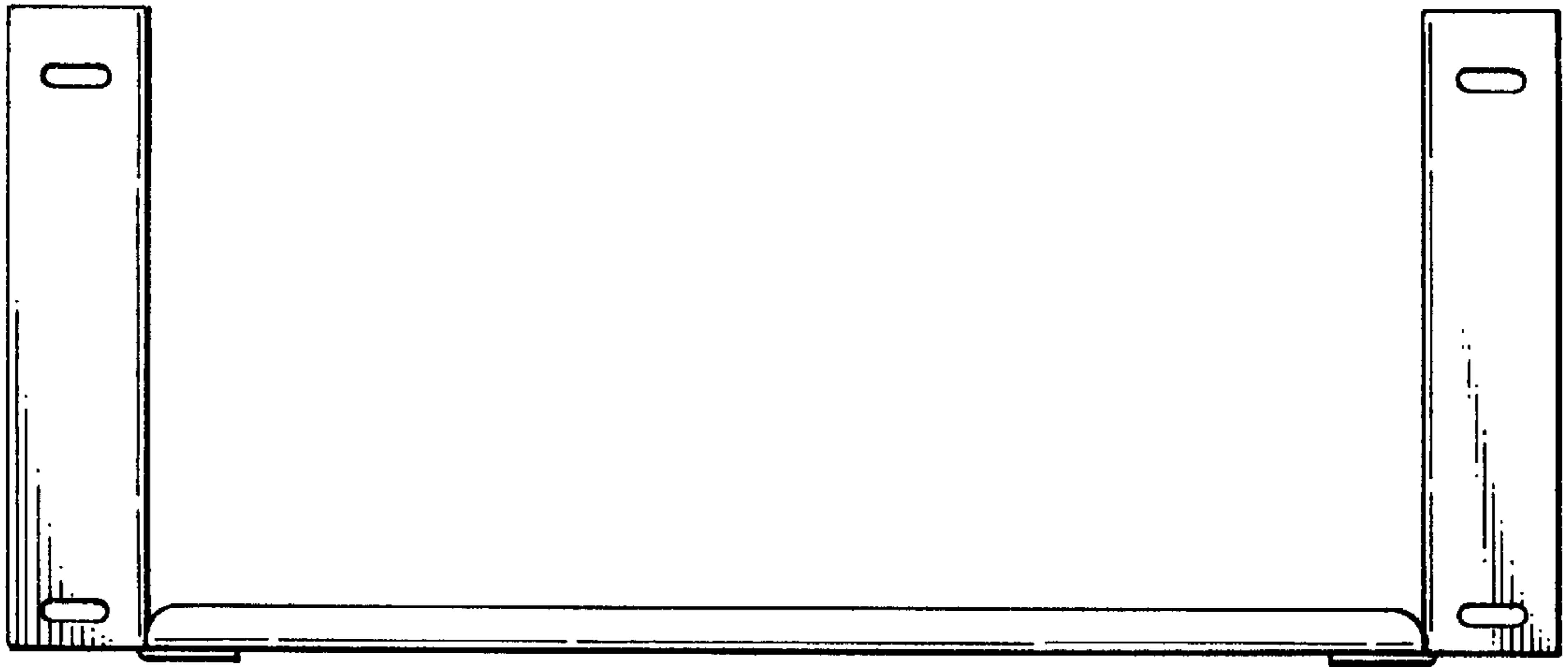


FIG. 10

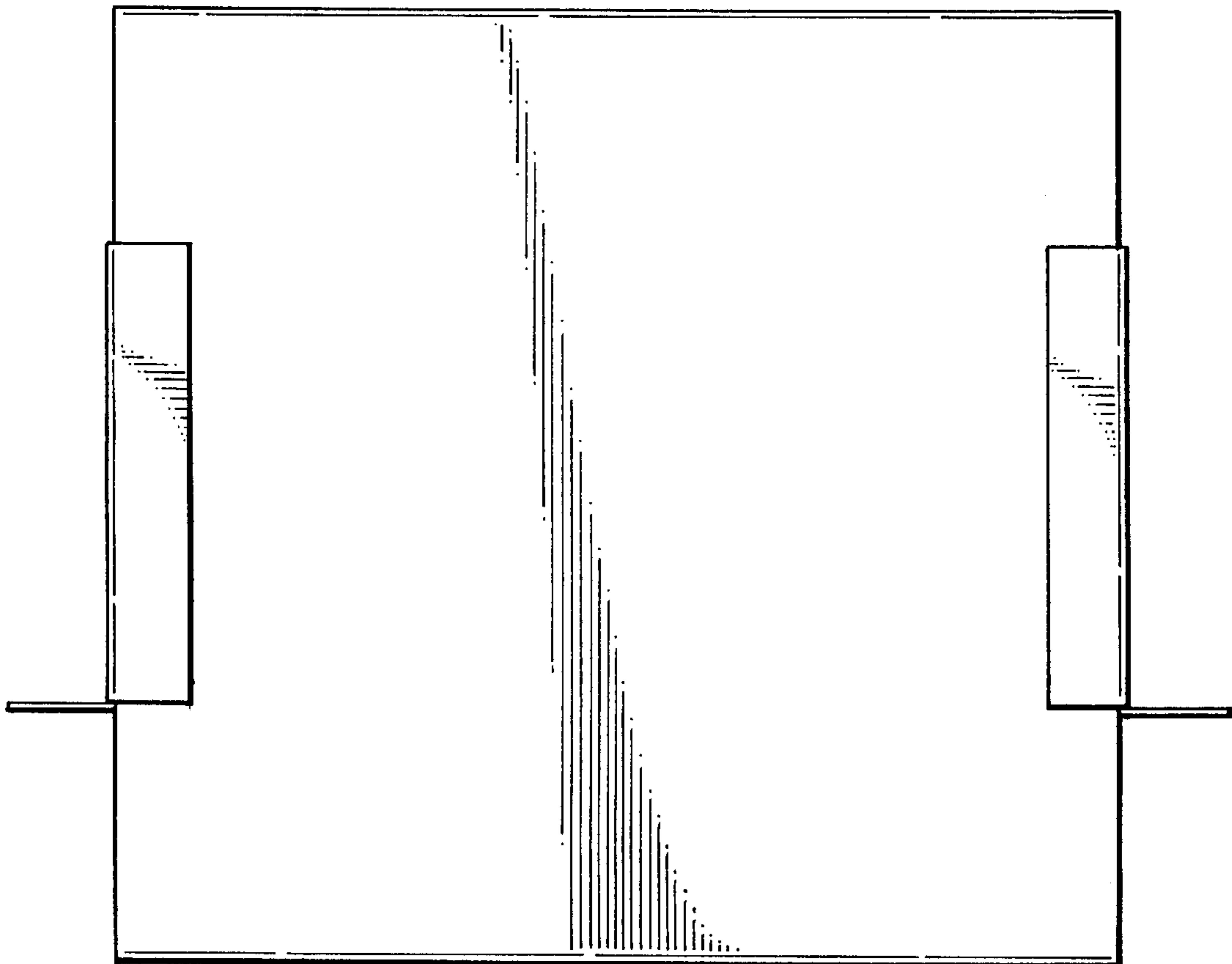


FIG. 11

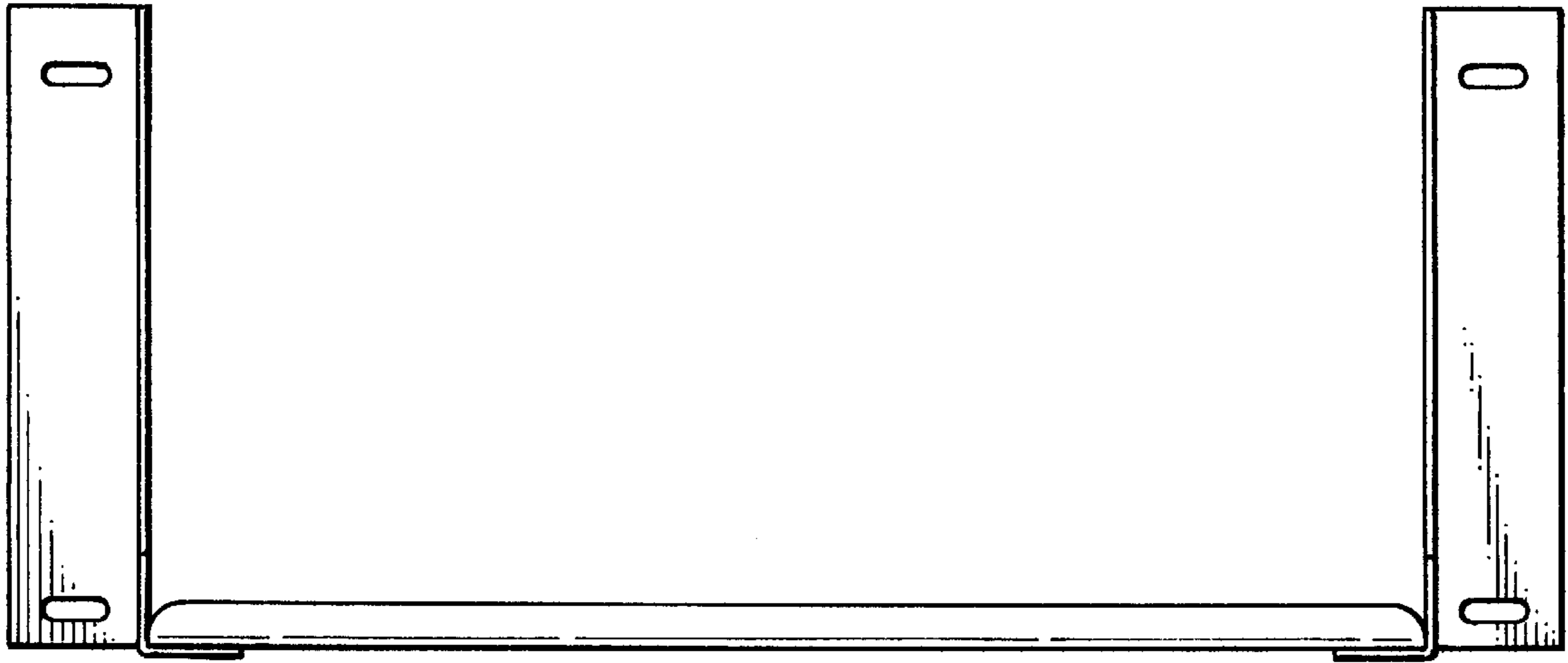


FIG. 12

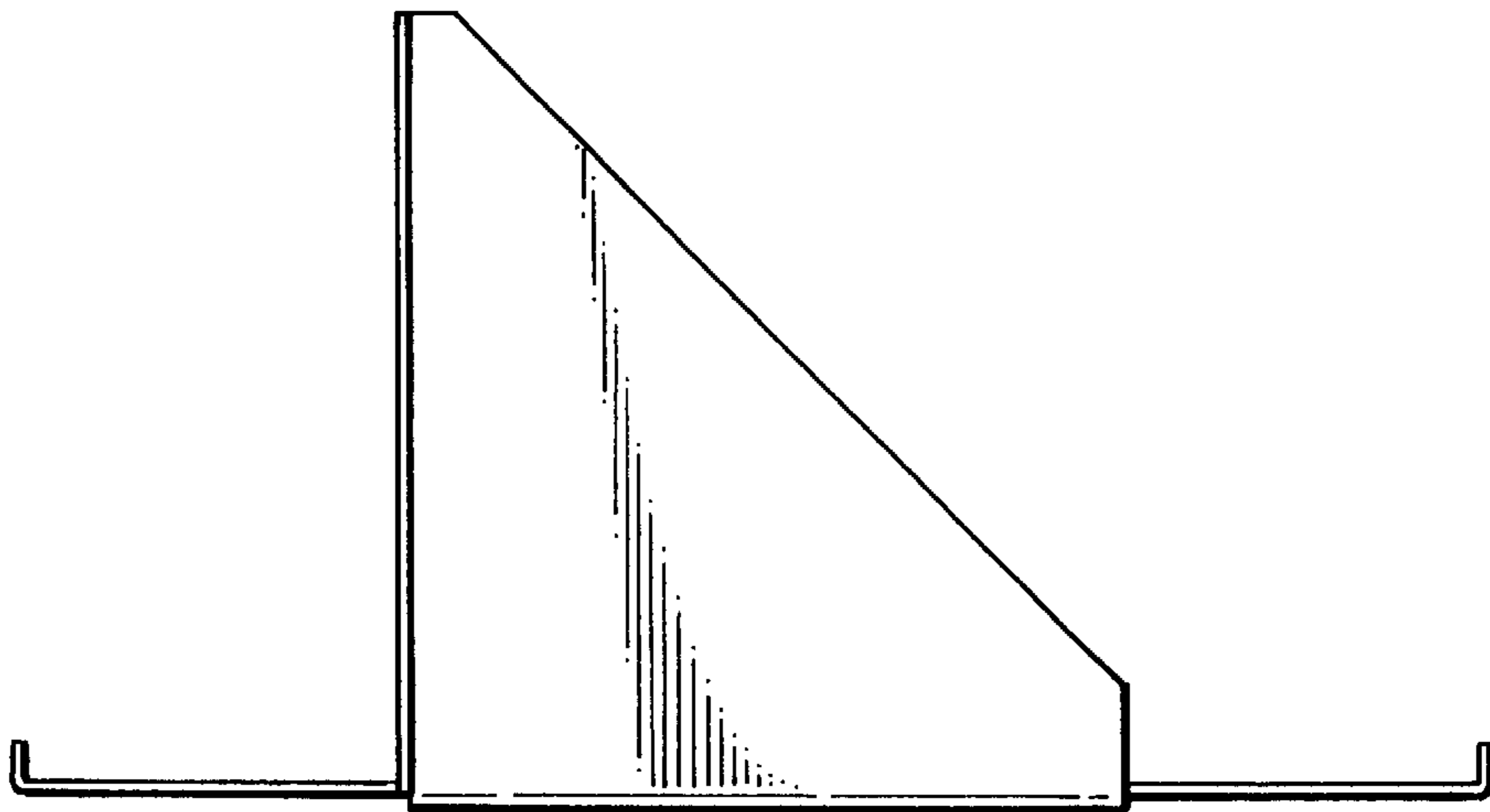


FIG. 13

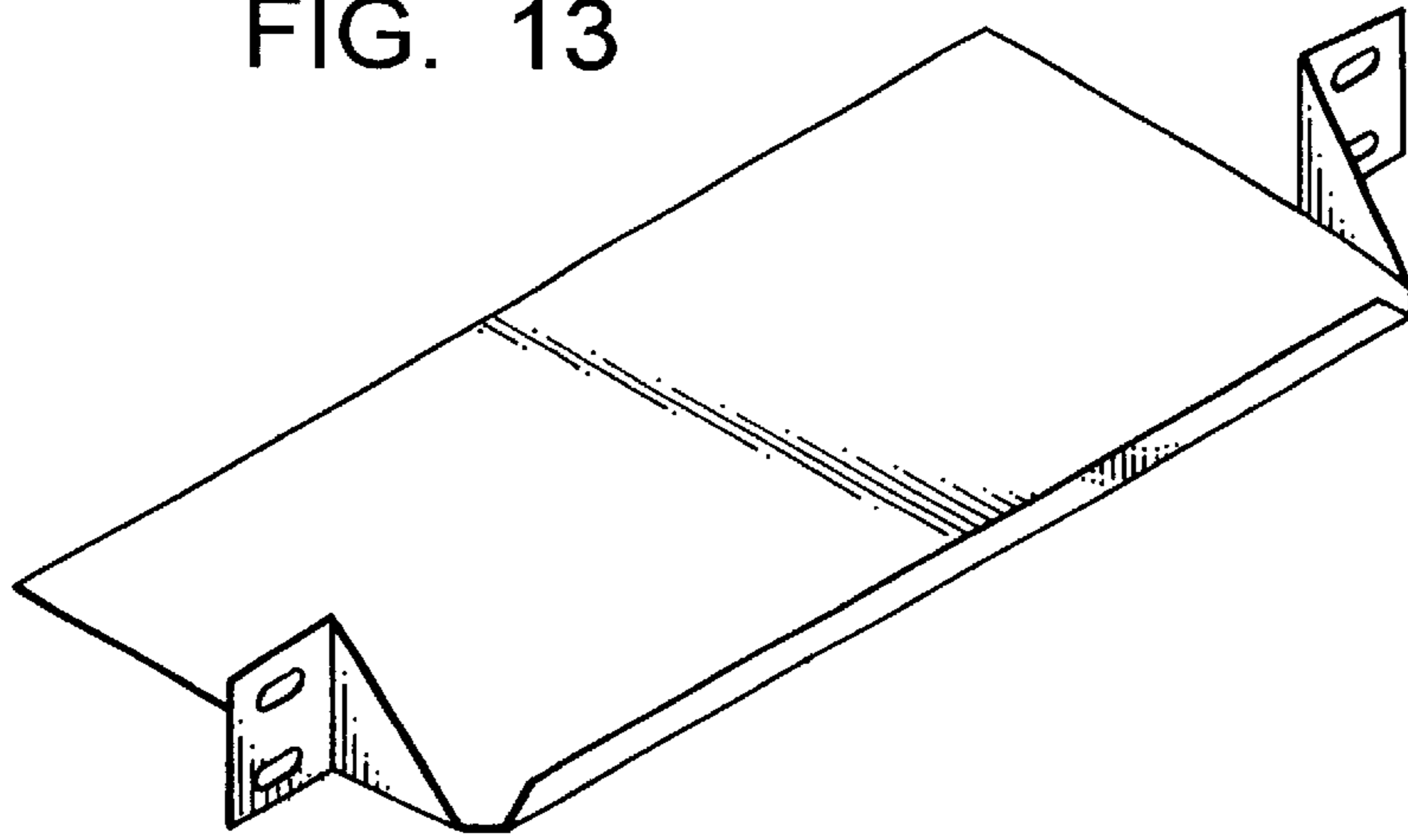


FIG. 14



FIG. 15



FIG. 16

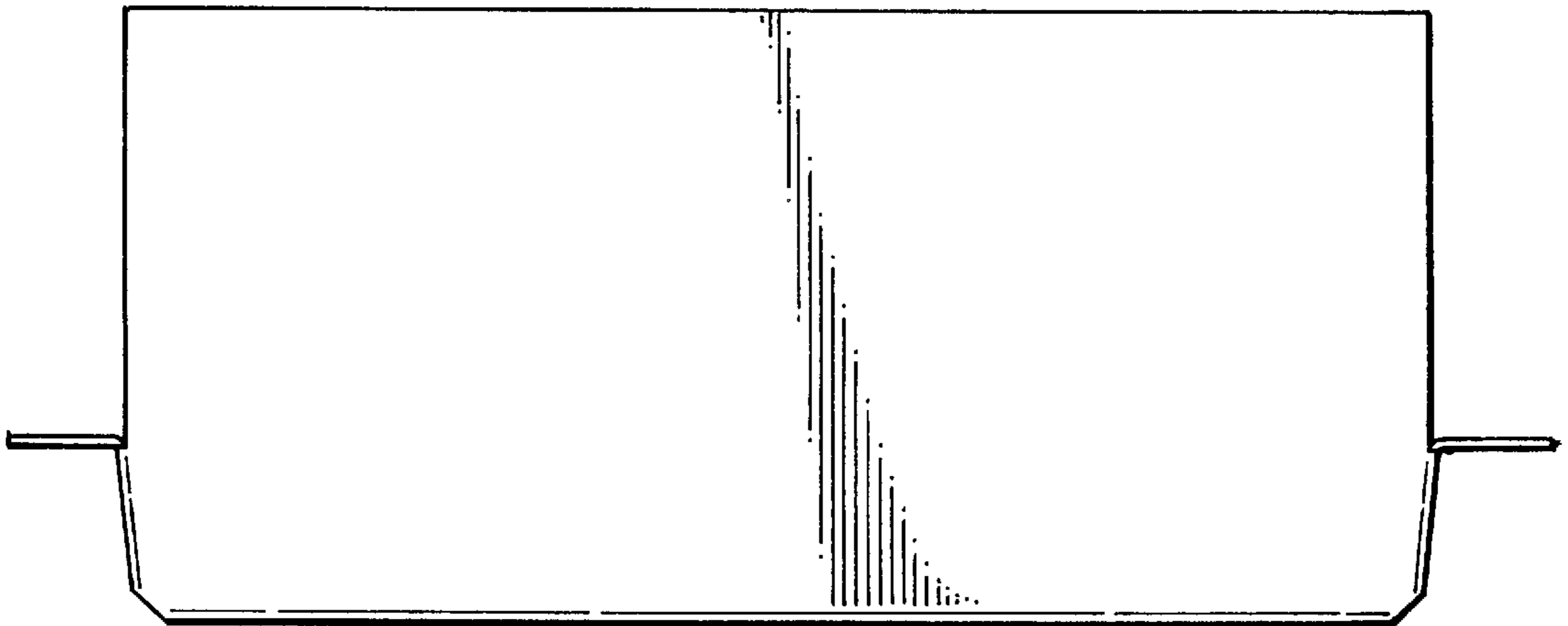


FIG. 17



FIG. 18

