



US00D458481S

(12) **United States Design Patent**  
**Brooke**

(10) **Patent No.:** **US D458,481 S**

(45) **Date of Patent:** **\*\* Jun. 11, 2002**

- (54) **SLATS OF A BED SIDERAIL**
- (75) Inventor: **Jason C. Brooke**, Mt. Pleasant, SC (US)
- (73) Assignee: **Hill-Rom Services, Inc.**, Wilmington, DE (US)
- (\*\*) Term: **14 Years**
- (21) Appl. No.: **29/139,749**
- (22) Filed: **Apr. 5, 2001**
- (51) **LOC (7) Cl.** ..... **06-06**
- (52) **U.S. Cl.** ..... **D6/503; D6/370**
- (58) **Field of Search** ..... D6/382, 392-395, D6/505-508, 503, 491, 370; 5/662, 174, 177-180, 600, 611-614, 286, 732, 424, 425, 428

- 4,724,555 A 2/1988 Poehner et al.
- 4,745,647 A 5/1988 Goodwin
- 4,827,545 A 5/1989 Arp
- 4,847,929 A 7/1989 Pupovic
- 4,912,787 A 4/1990 Bradcovich
- 4,935,968 A 6/1990 Hunt et al.
- 4,985,946 A 1/1991 Foster et al.
- 4,998,939 A 3/1991 Potthast et al.
- 5,023,967 A 6/1991 Ferrand
- 5,035,014 A 7/1991 Blanchard
- 5,072,463 A 12/1991 Willis
- 5,077,843 A 1/1992 Dale et al.
- 5,083,334 A 1/1992 Huck et al.
- 5,084,925 A 2/1992 Cook
- 5,117,521 A 6/1992 Foster et al.
- 5,121,513 A 6/1992 Thomas et al.
- 5,129,117 A 7/1992 Celestina et al.
- 5,179,744 A 1/1993 Foster et al.
- D336,577 S 6/1993 Celestina et al.
- D336,578 S 6/1993 Celestina

(List continued on next page.)

(56) **References Cited**

**U.S. PATENT DOCUMENTS**

- 421,656 A 2/1890 Blanken
- 2,136,088 A 11/1938 Stevens
- 2,587,291 A 2/1952 Rochers
- 2,722,017 A 11/1955 Burst et al.
- 2,747,919 A 5/1956 Ferneau et al.
- 3,018,492 A 1/1962 Rosen
- 3,321,779 A 5/1967 Kaufman et al.
- 3,506,989 A 4/1970 Ross et al.
- 3,585,659 A 6/1971 Burst et al.
- 3,806,109 A 4/1974 Weber et al.
- 3,905,591 A 9/1975 Schorr et al.
- 3,932,903 A 1/1976 Adams et al.
- 4,183,015 A 1/1980 Drew et al.
- 4,186,456 A 2/1980 Huempfner
- 4,214,326 A 7/1980 Spann
- 4,215,446 A 8/1980 Mahoney
- 4,439,880 A 4/1984 Koncelik et al.
- 4,592,104 A 6/1986 Foster et al.
- 4,622,705 A \* 11/1986 Joubert ..... 5/425 X
- 4,646,211 A 2/1987 Gallant et al.
- 4,653,129 A 3/1987 Kuck et al.
- D289,951 S 5/1987 Goodwin
- 4,676,687 A 6/1987 Koffler

**OTHER PUBLICATIONS**

Paramount Bed; catalog pp. 1-63, date unknown.

*Primary Examiner*—Janice E. Seeger

(74) *Attorney, Agent, or Firm*—Bose McKinney & Evans LLP

(57) **CLAIM**

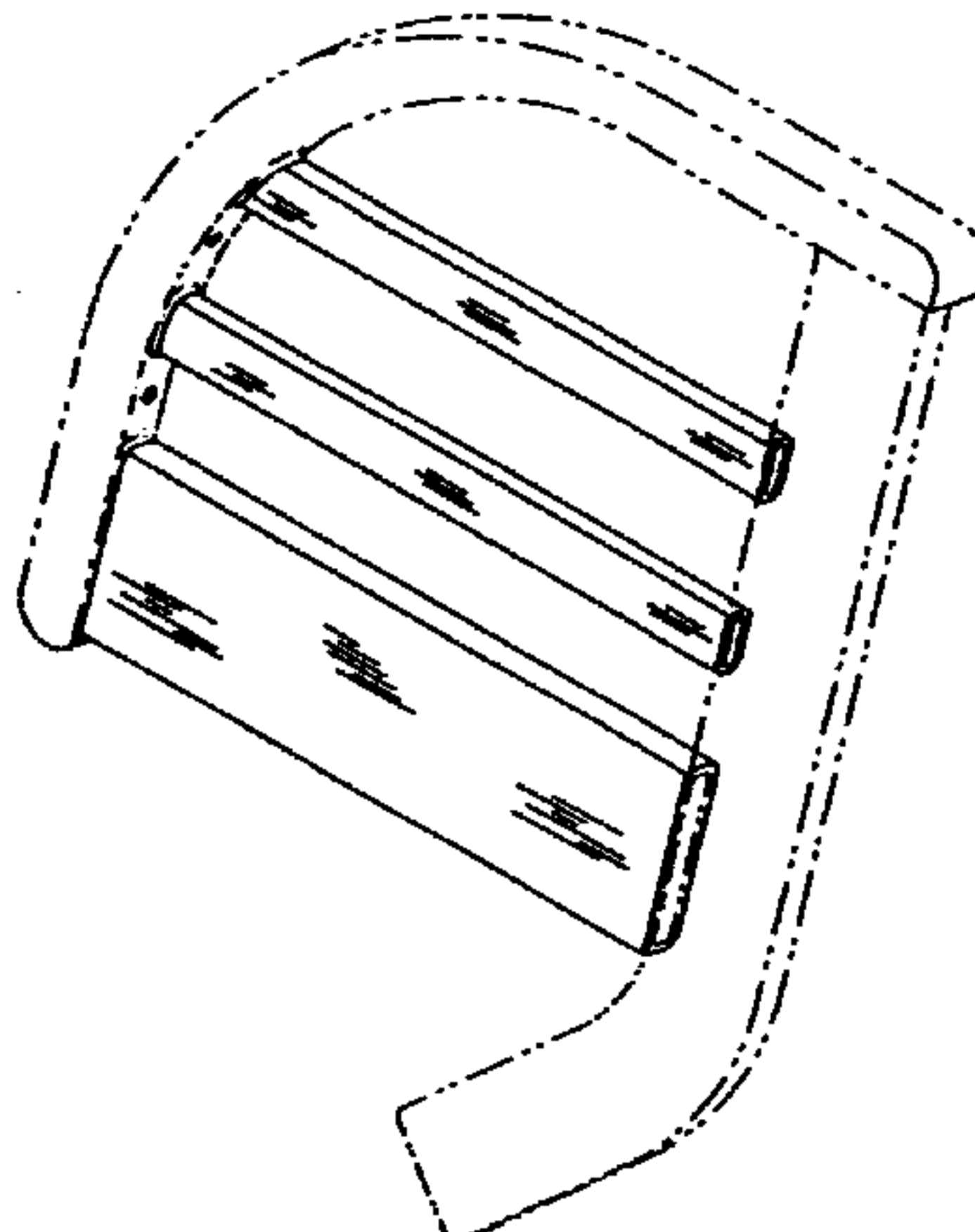
The ornamental design for slats of a bed siderail, as shown and described.

**DESCRIPTION**

FIG. 1 is a perspective view of slats for a bed siderail; FIG. 2 is a side elevation view of thereof; FIG. 3 is another side elevation view thereof; FIG. 4 is a side elevation view thereof; FIG. 5 is another side elevation view thereof; FIG. 6 is a top plan view thereof; and, FIG. 7 is a bottom plan view thereof.

The broken lines are for environmental purposes only and form no part of the claimed design.

**1 Claim, 2 Drawing Sheets**



# US D458,481 S

Page 2

---

## U.S. PATENT DOCUMENTS

5,216,768 A	6/1993	Bodine et al.	5,682,631 A	11/1997	Weismiller et al.
5,269,030 A	12/1993	Pahno et al.	5,689,839 A	11/1997	Laganiere et al.
5,269,388 A	12/1993	Reichow et al.	5,774,914 A	7/1998	Johnson et al.
5,317,769 A	6/1994	Weismiller et al.	5,781,945 A	7/1998	Scherer et al.
5,337,845 A	8/1994	Foster et al.	5,802,636 A	9/1998	Corbin et al.
5,370,111 A	12/1994	Reeder et al.	5,906,017 A	5/1999	Ferrand et al.
5,381,571 A	1/1995	Gabhart	6,021,533 A	2/2000	Ellis et al.
5,398,357 A	3/1995	Foster	6,058,531 A	5/2000	Carroll
5,454,126 A	10/1995	Foster et al.	6,073,289 A	6/2000	Bolden et al.
5,461,673 A	10/1995	Coons	D431,385 S *	10/2000	Barile et al. .... D6/370
5,481,772 A	1/1996	Glynn et al.	6,141,806 A	11/2000	Bobey et al.
5,513,406 A	5/1996	Foster et al.	6,185,767 B1	2/2001	Brooke et al.
5,542,138 A	8/1996	Williams et al.	D443,993 S *	6/2001	Kelley et al. .... D6/370
5,577,277 A	11/1996	Sundberg et al.	6,240,580 B1	6/2001	Hamilton et al.
5,586,346 A	12/1996	Stacy et al.	6,240,583 B1	6/2001	Brooke et al.
5,623,736 A	4/1997	Soltani et al.			

\* cited by examiner

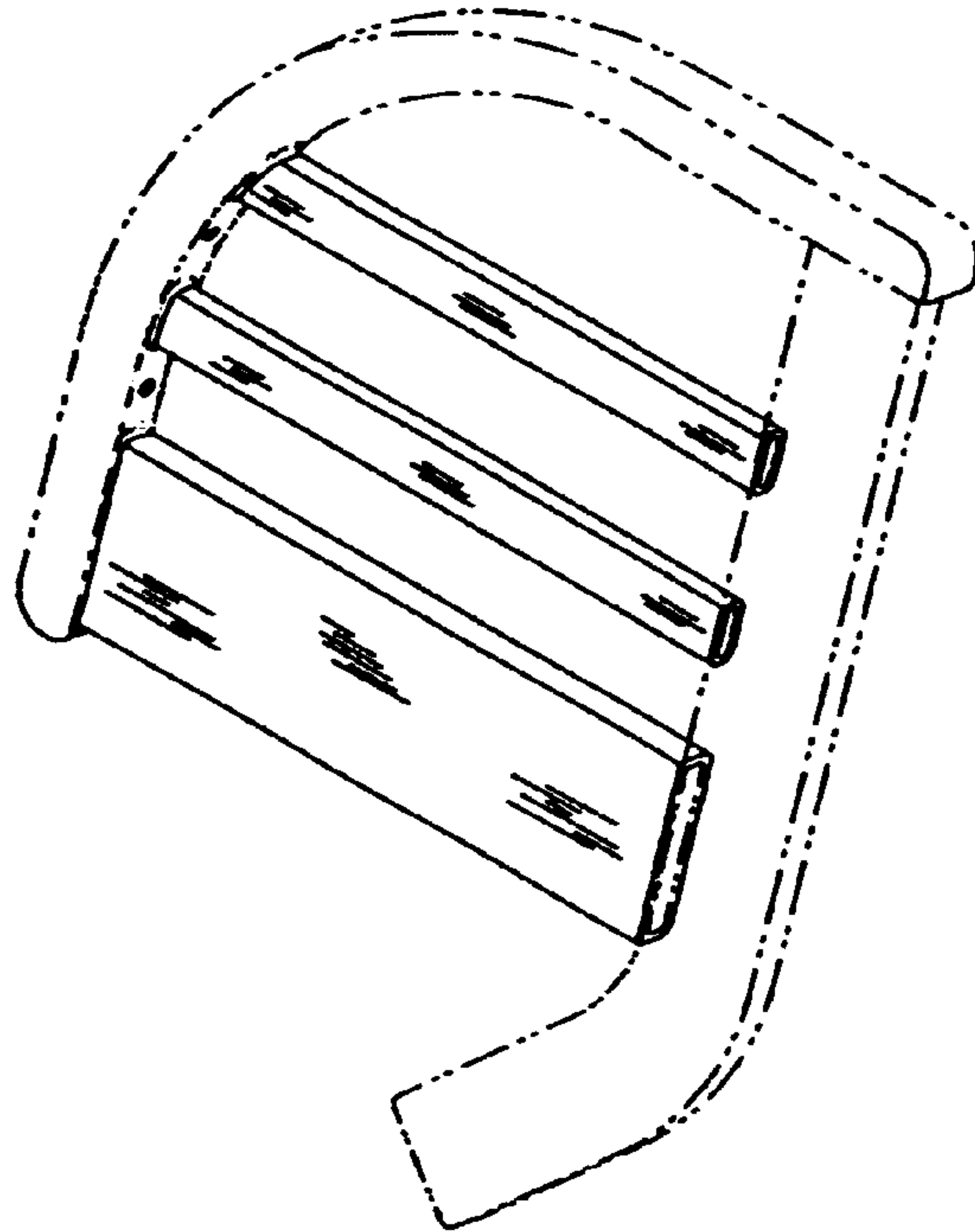


FIG. 1

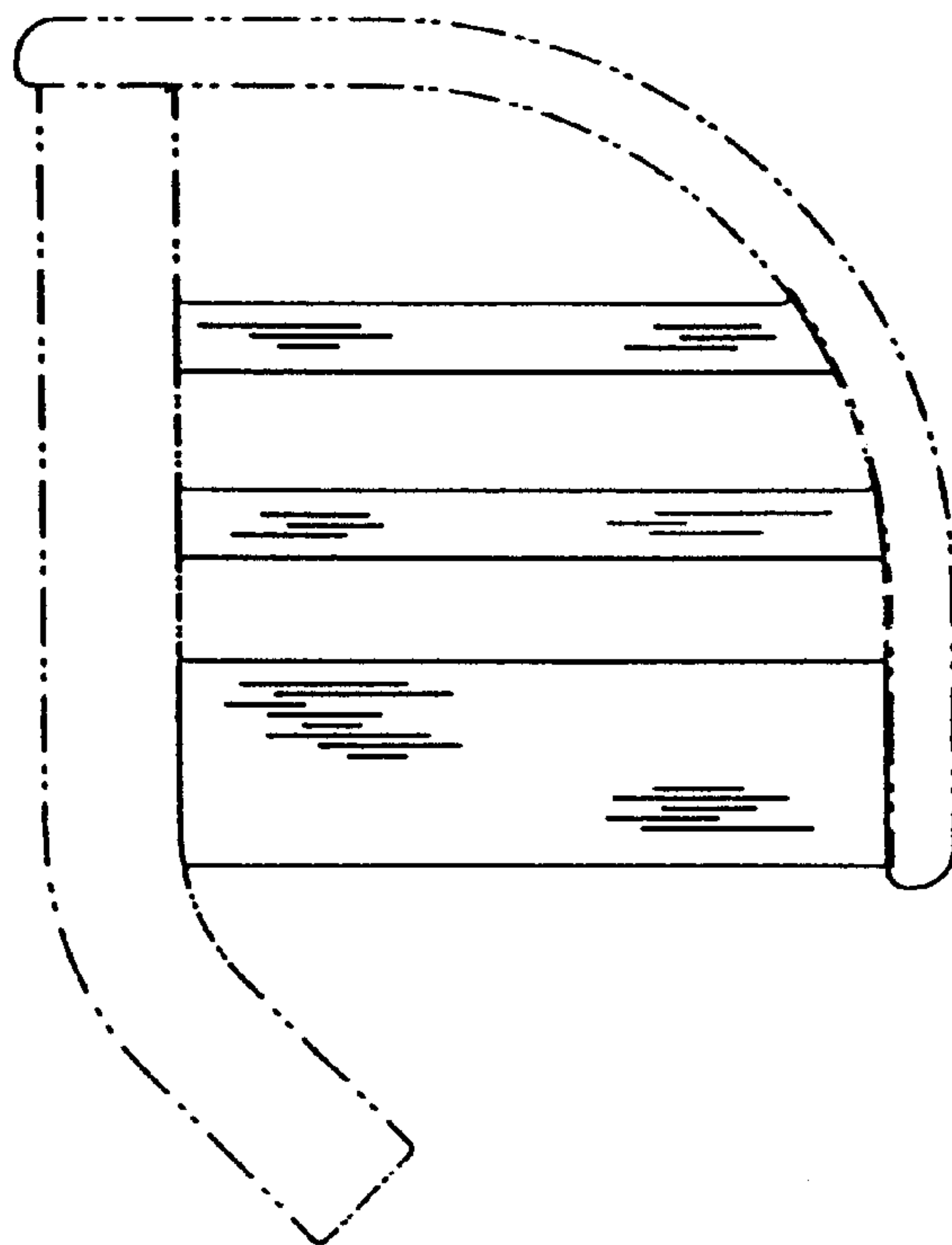


FIG. 2

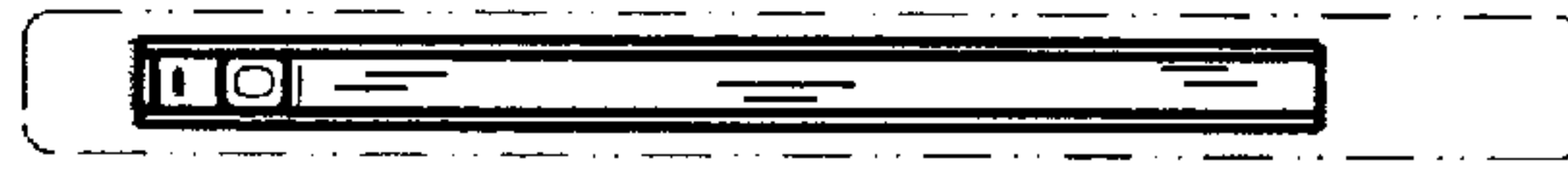


FIG. 6



FIG. 4

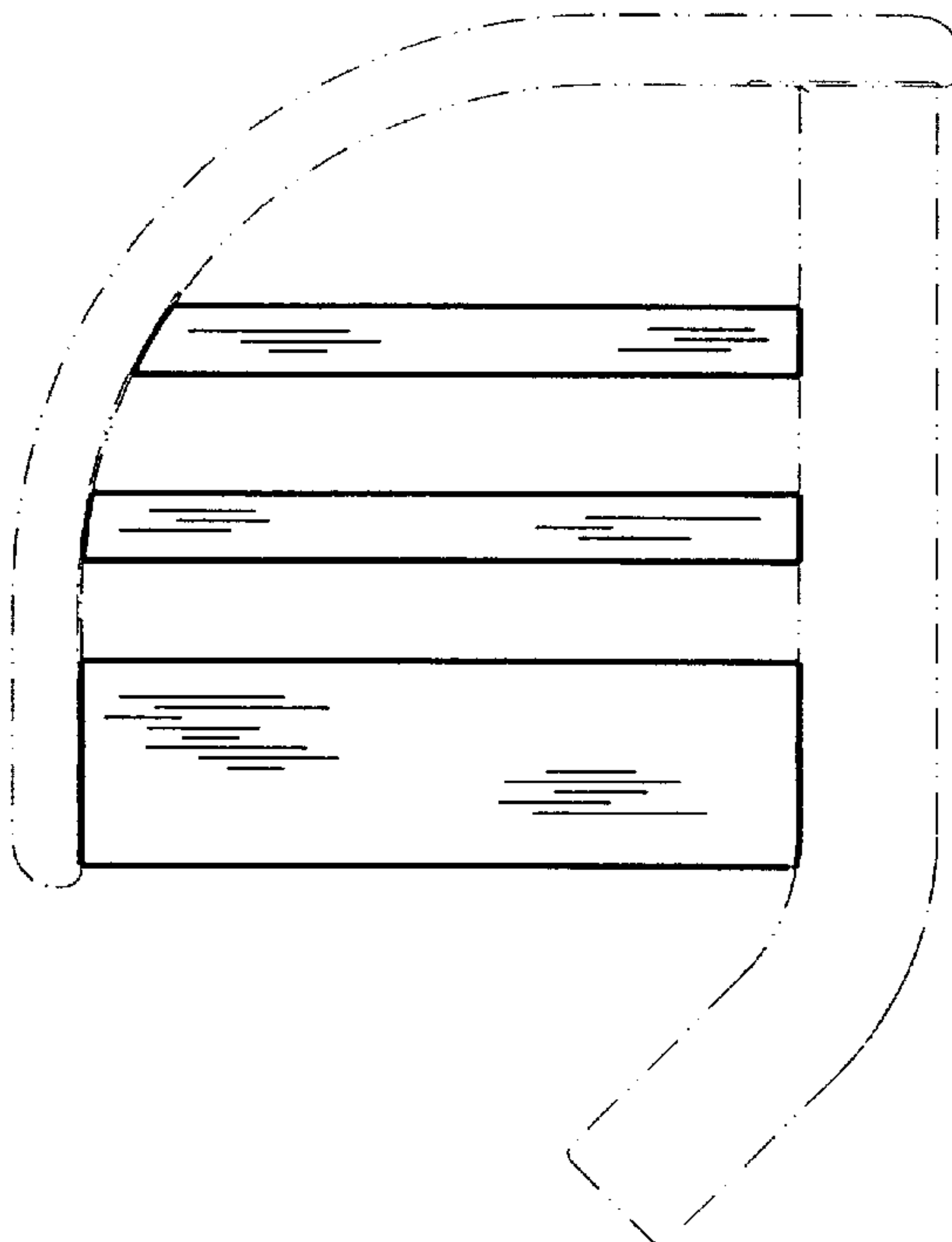


FIG. 3

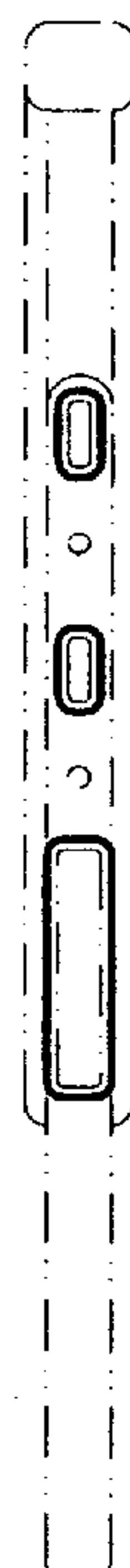


FIG. 5

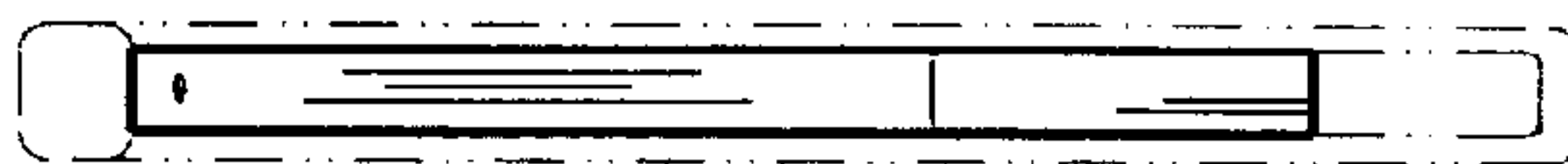


FIG. 7