



US00D458480S

(12) **United States Design Patent**  
**Brown**

(10) **Patent No.:** **US D458,480 S**

(45) **Date of Patent:** **\*\* Jun. 11, 2002**

(54) **SEAT BACK BACK COVER**

(75) **Inventor:** **Justin Peter Brown**, Kensington Park (AU)

(73) **Assignee:** **Klasse Pty. Ltd.**, Dudley Park (AU)

(\*\*) **Term:** **14 Years**

(21) **Appl. No.:** **29/133,176**

(22) **Filed:** **Nov. 22, 2000**

(51) **LOC (7) Cl.** ..... **06-06**

(52) **U.S. Cl.** ..... **D6/502**

(58) **Field of Search** ..... D6/334, 335, 364, D6/365, 366, 367, 371, 372, 373, 374, 379, 380, 500, 501, 502; 297/DIG. 2

(56) **References Cited**

**U.S. PATENT DOCUMENTS**

D194,838 S	*	3/1963	Ridder et al. ....	D6/374
D332,182 S	*	1/1993	Citterio .....	D6/366
D377,431 S	*	1/1997	Stumpf et al. ....	D6/500
D407,576 S	*	4/1999	Ritch et al. ....	D6/500
D410,802 S	*	6/1999	Olson .....	D6/379
D417,792 S	*	12/1999	Hansen et al. ....	D6/366
D422,802 S	*	4/2000	Deacon .....	D6/366

\* cited by examiner

*Primary Examiner*—Gary D. Watson

(74) *Attorney, Agent, or Firm*—Ohlandt, Greeley, Ruggiero & Perle, L.L.P

(57) **CLAIM**

The ornamental design for a seat back back cover, as shown and described.

**DESCRIPTION**

FIG. 1 is a front view of the seat back back cover according to the present invention;

FIG. 2 is a bottom view of the seat back back cover of FIG. 1;

FIG. 3 is a left side view of the seat back back cover of FIG. 1;

FIG. 4 is a right, opposite, side view of the seat back back cover of FIG. 1;

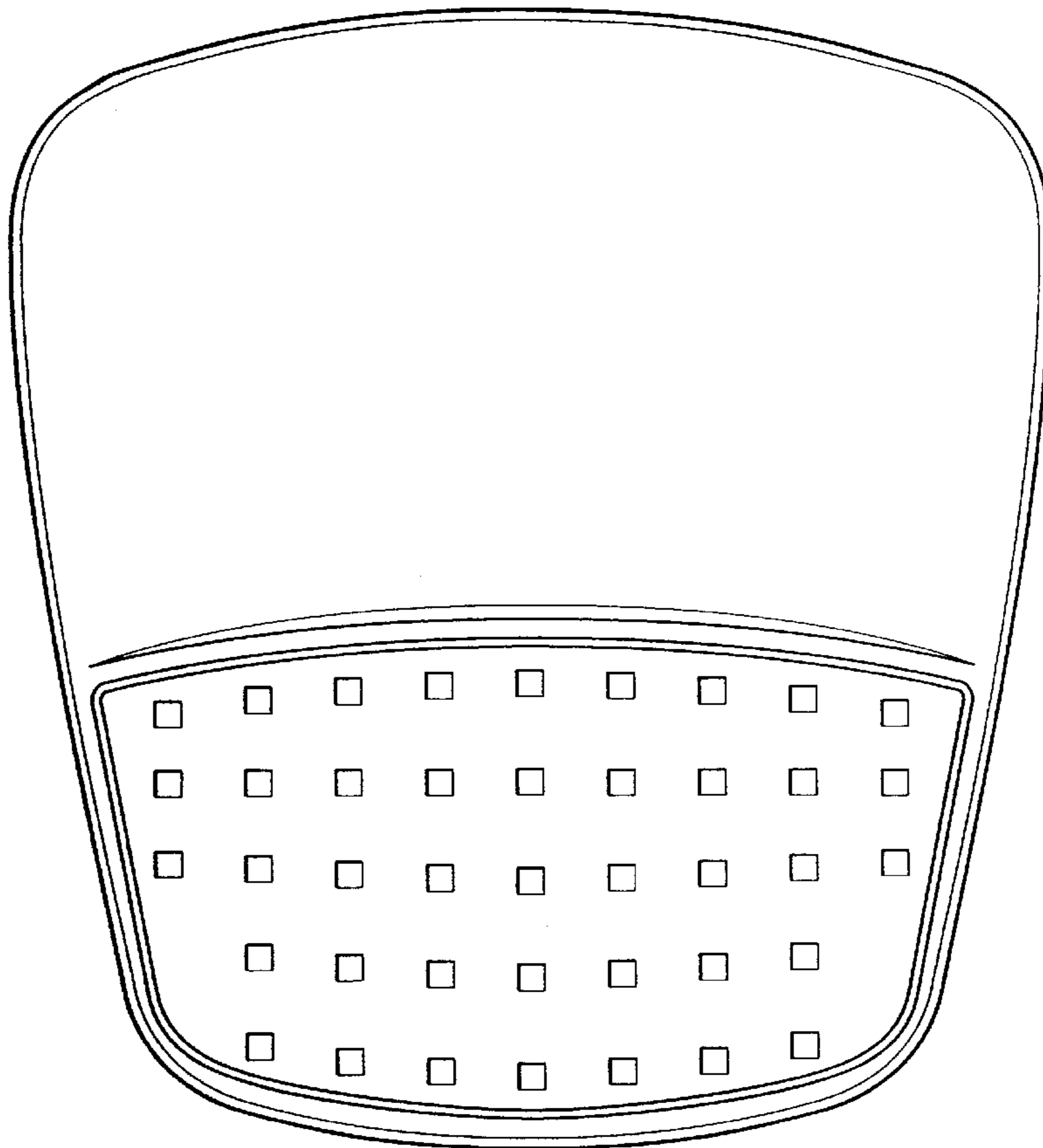
FIG. 5 is a top view of the seat back back cover of FIG. 1;

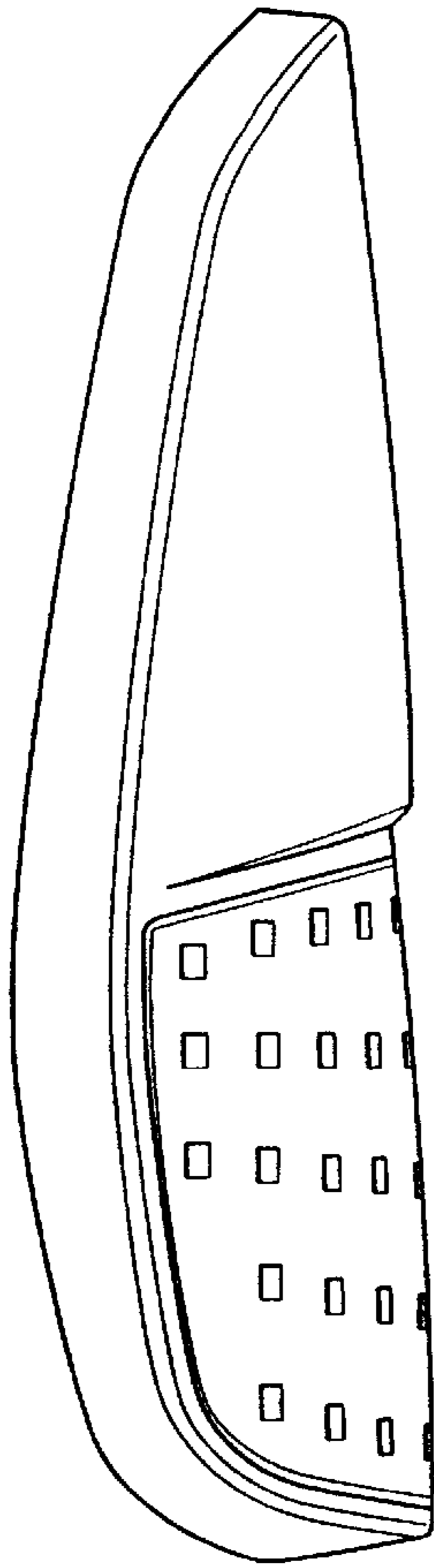
FIG. 6 is a rear view of the seat back back cover of FIG. 1;

FIG. 7 is a front perspective view of the seat back back cover of FIG. 1; and,

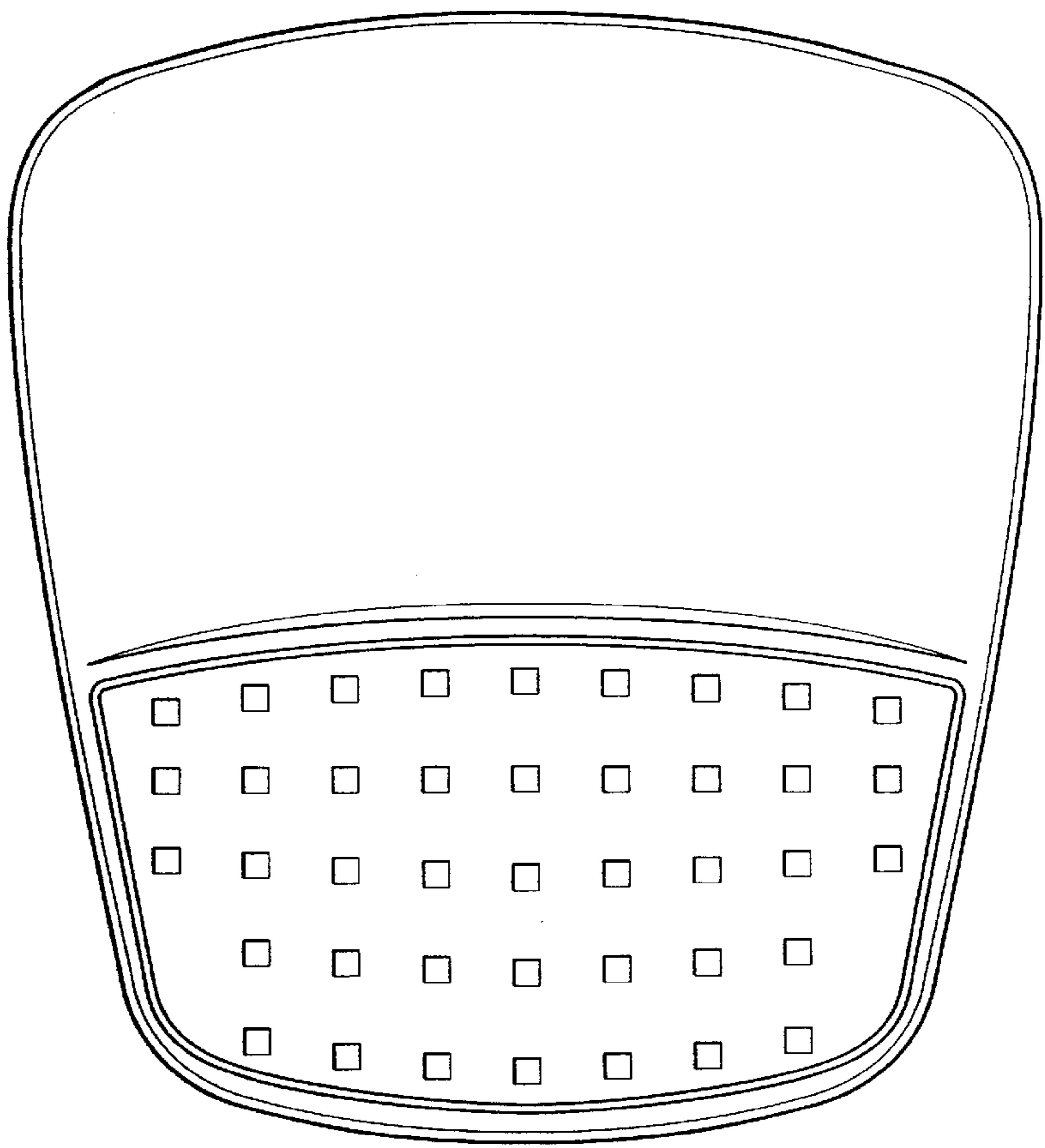
FIG. 8 is a rear perspective view of the seat back back cover of FIG. 1.

**1 Claim, 3 Drawing Sheets**

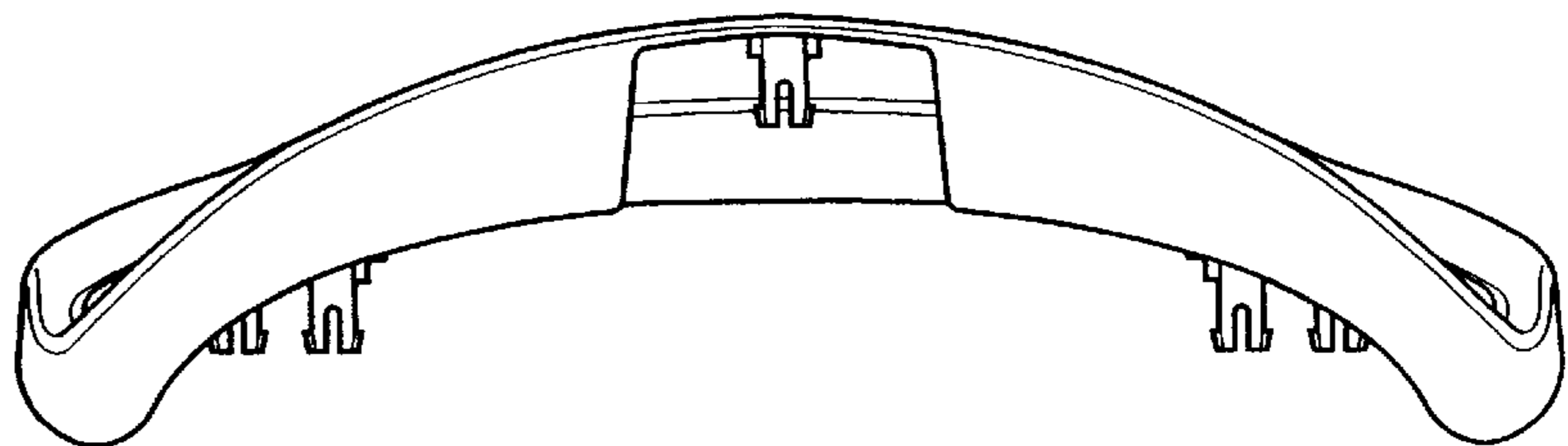




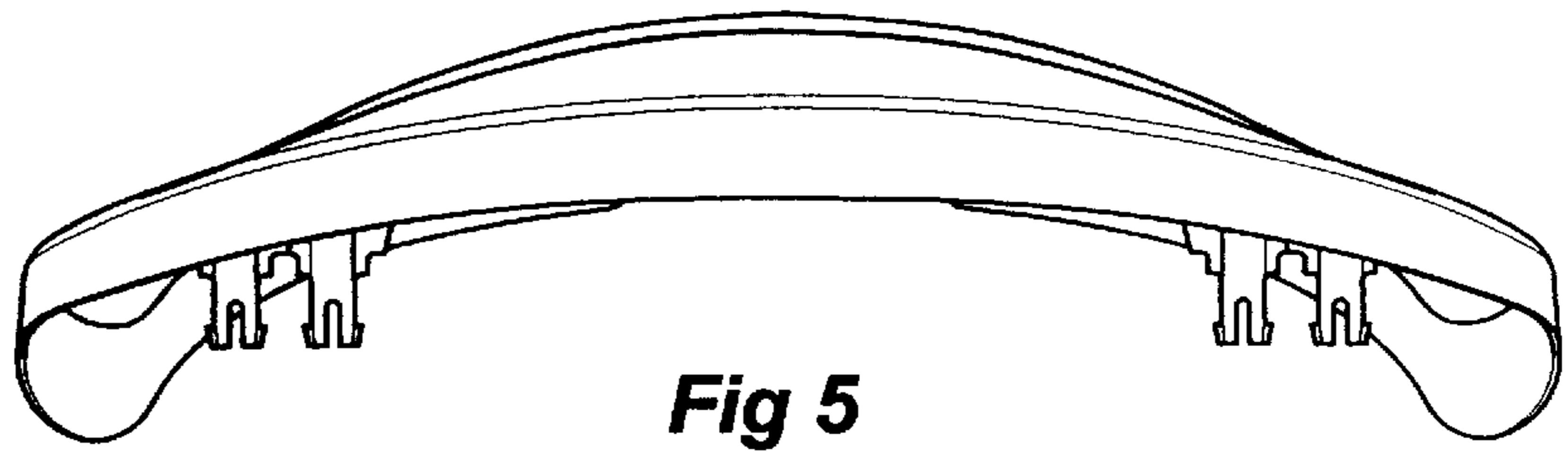
**Fig 3**



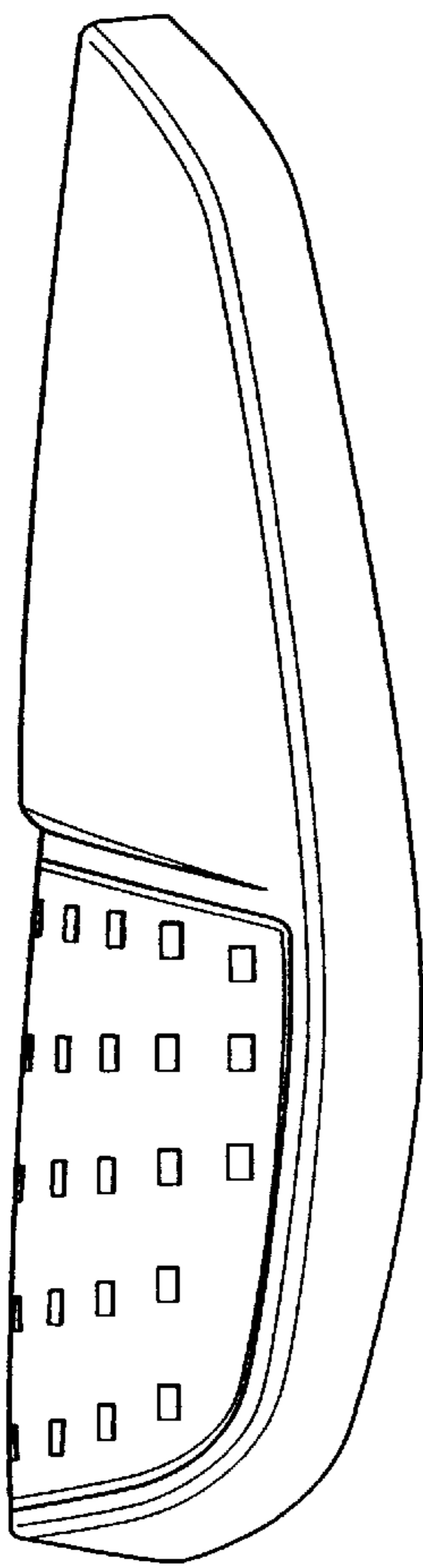
**Fig 1**



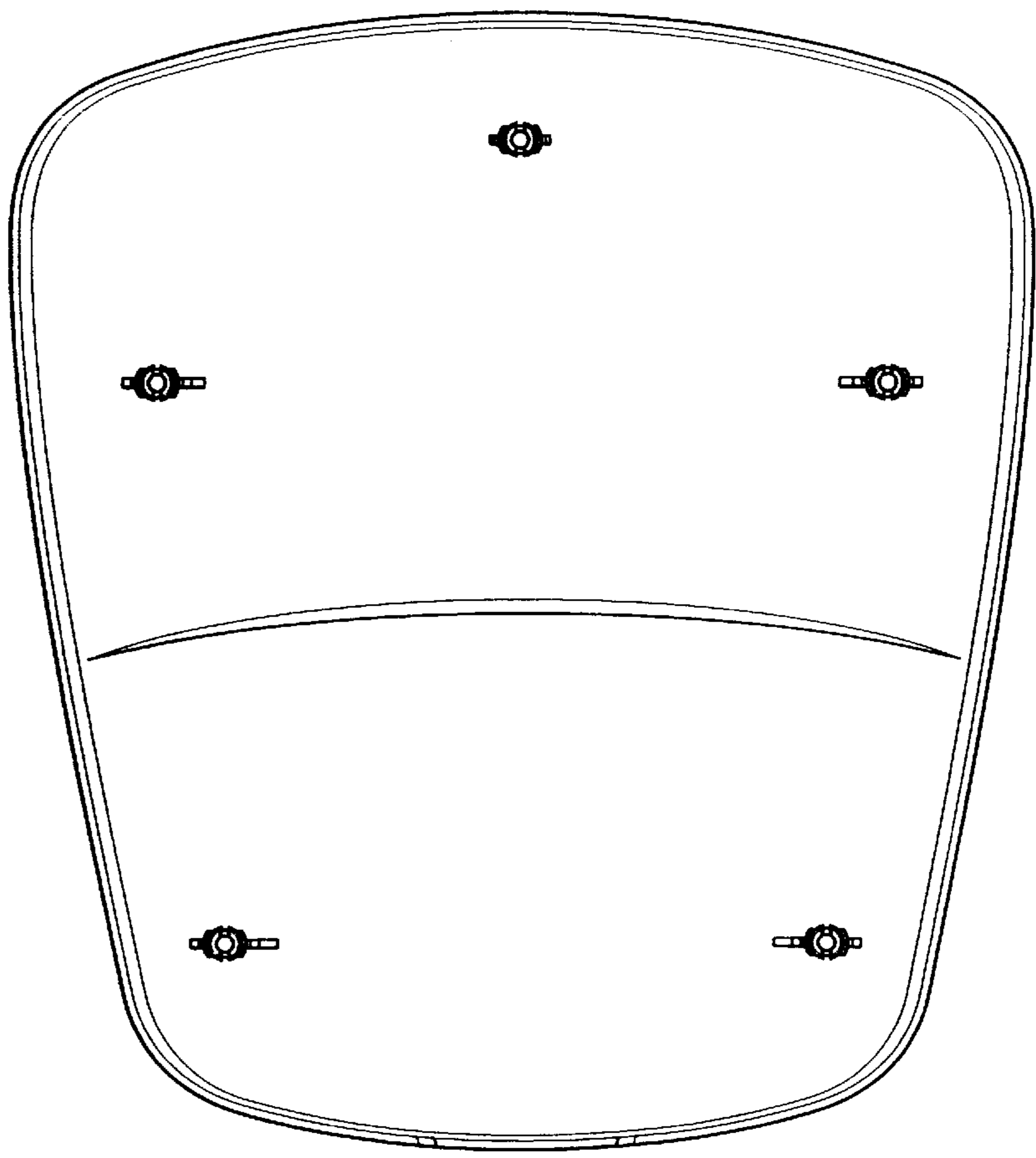
**Fig 2**



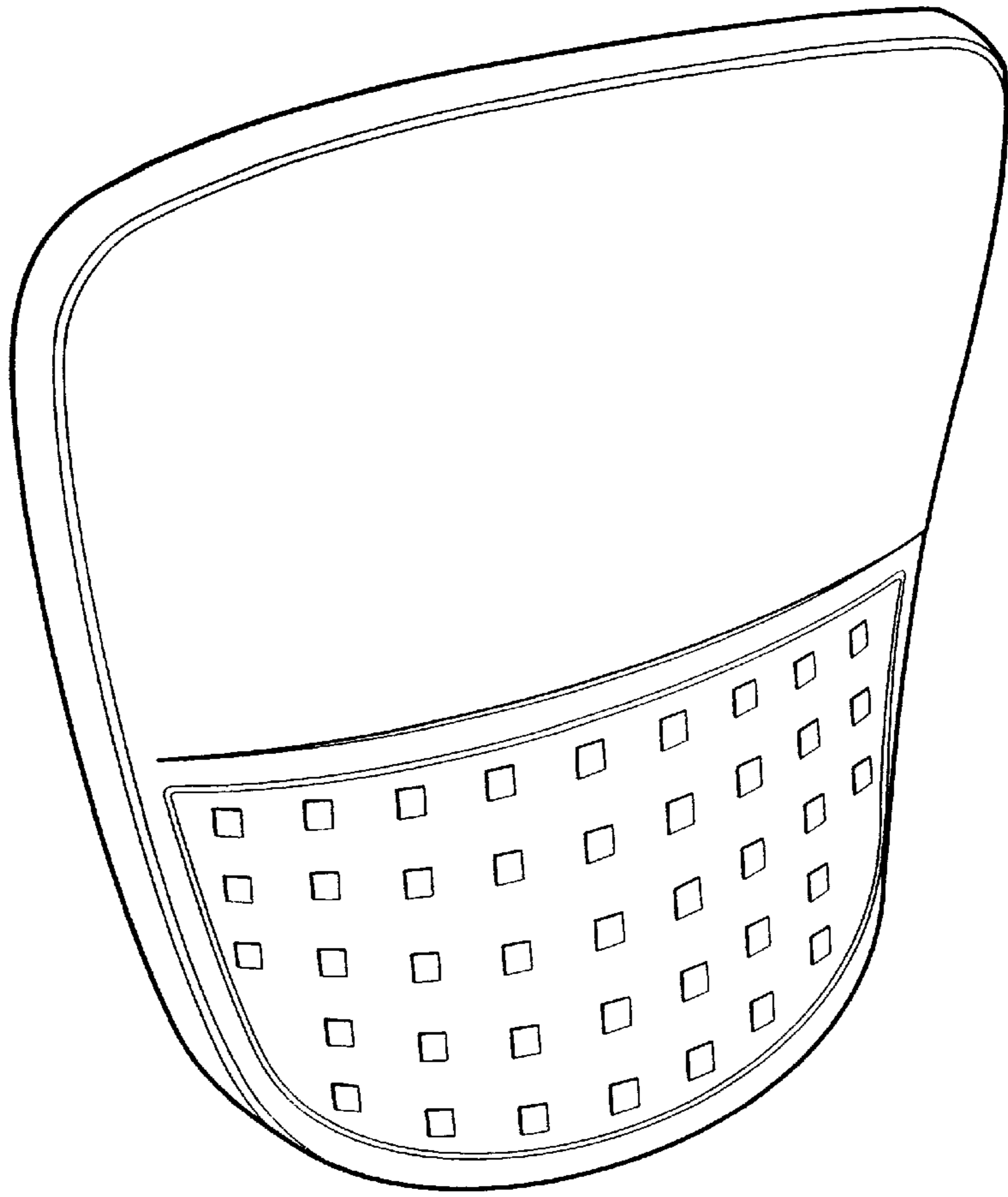
**Fig 5**



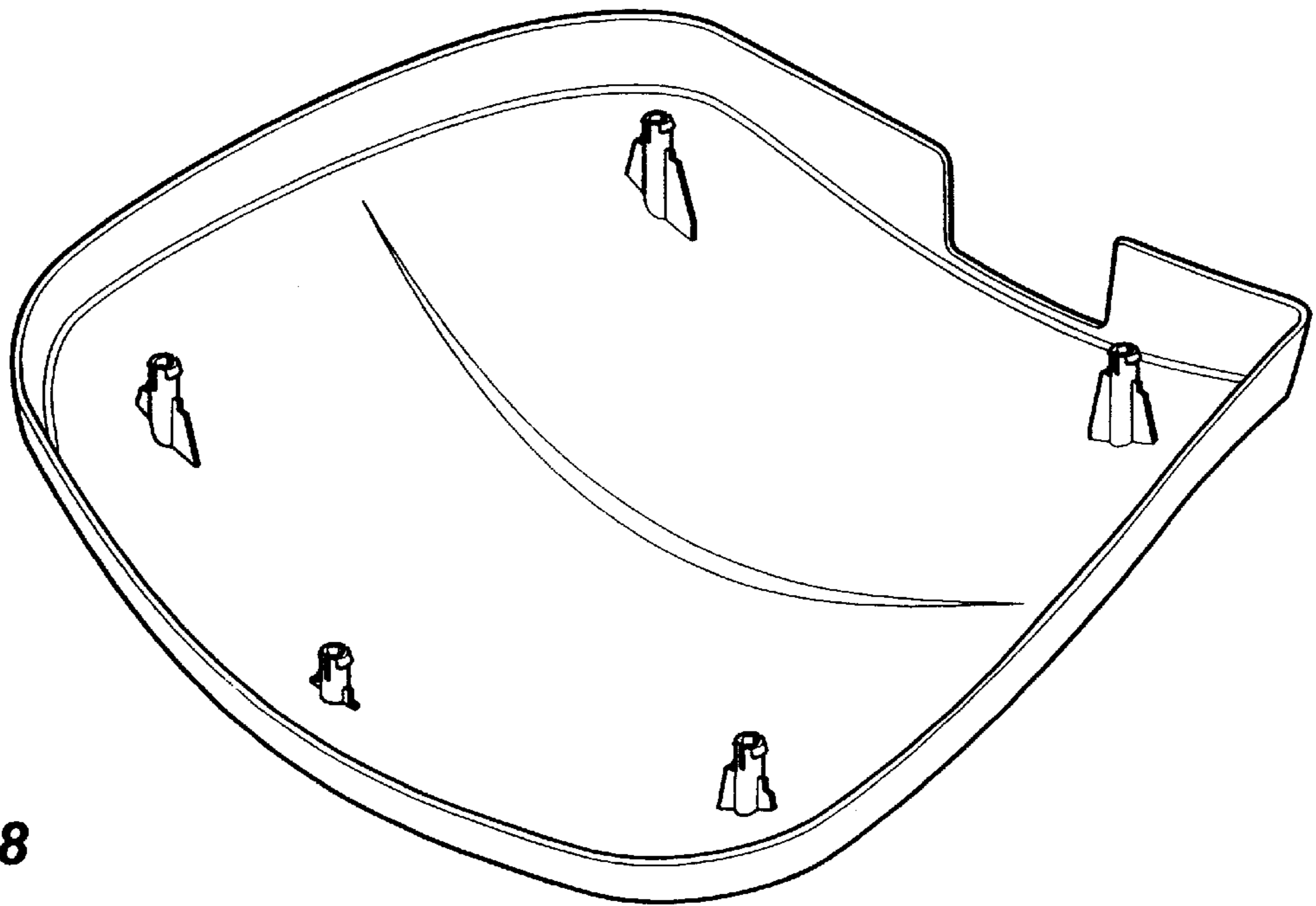
**Fig 4**



**Fig 6**



**Fig 7**



**Fig 8**