



US00D458476S

(12) **United States Design Patent**
Tseng

(10) **Patent No.:** **US D458,476 S**

(45) **Date of Patent:** **** Jun. 11, 2002**

(54) **ARMREST**
(75) **Inventor:** **Chuen-Jong Tseng, Chiayi Hsien (TW)**
(73) **Assignee:** **Shin Yeh Enterprise Co., Ltd., Chiayi Hsien (TW)**
(**) **Term:** **14 Years**

(21) **Appl. No.:** **29/142,229**
(22) **Filed:** **May 22, 2001**

(51) **LOC (7) Cl.** **06-06**
(52) **U.S. Cl.** **D6/501; D6/366**
(58) **Field of Search** **D6/334, 364, 365, D6/367, 379, 500, 501, 502, 366; 297/411.2, 411.25, 411.29**

(56) **References Cited**
U.S. PATENT DOCUMENTS

D256,968 S * 9/1980 Hirota D6/366
D273,349 S * 4/1984 Cafiero D6/366
D321,097 S * 10/1991 Jones et al. D6/367

D343,537 S * 1/1994 Harde D6/501
D400,018 S * 10/1998 James et al. D6/366
D451,318 S * 12/2001 Chi D6/501
D451,724 S * 12/2001 Chi D6/501

* cited by examiner

Primary Examiner—Gary D. Watson
(74) *Attorney, Agent, or Firm*—Ladas & Parry

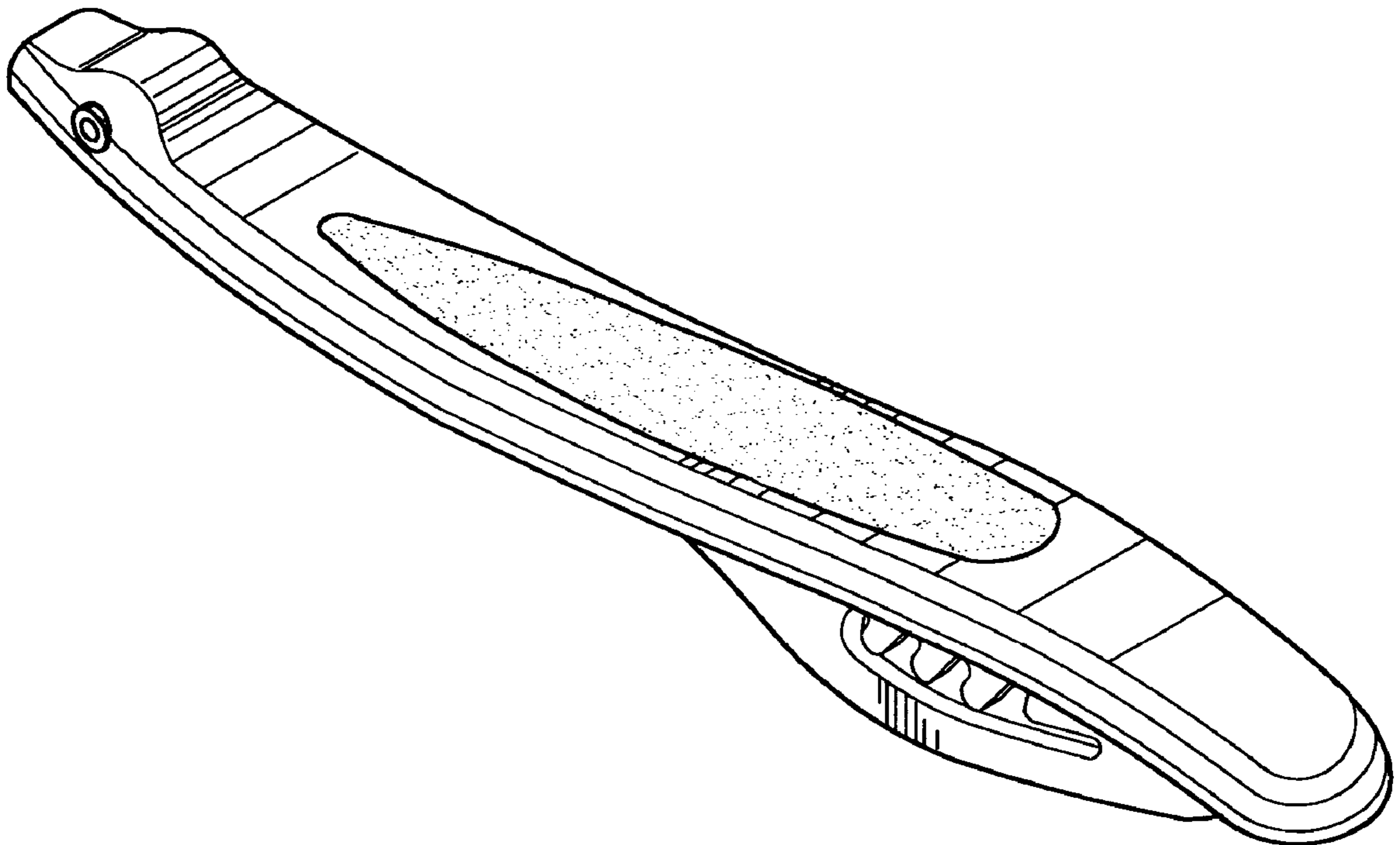
(57) **CLAIM**

The ornamental design for armrest, as shown and described.

DESCRIPTION

FIG. 1 is a perspective view of armrest showing my new design;
FIG. 2 is a front elevational view thereof;
FIG. 3 is a rear elevational view thereof;
FIG. 4 is a left side elevational view thereof;
FIG. 5 is a right side elevational view thereof;
FIG. 6 is a top plan view thereof; and,
FIG. 7 is a bottom plan view thereof.

1 Claim, 4 Drawing Sheets



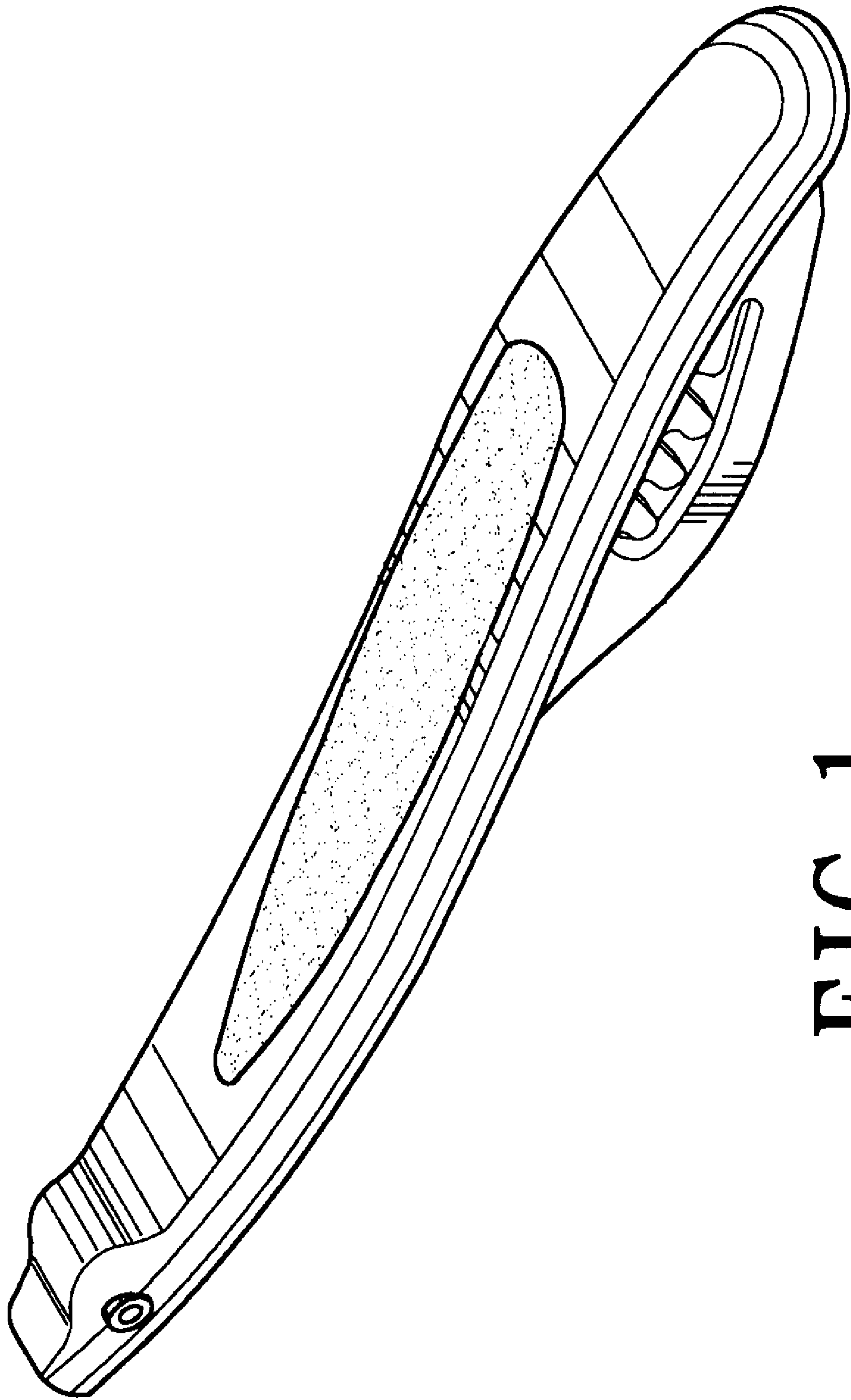


FIG. 1

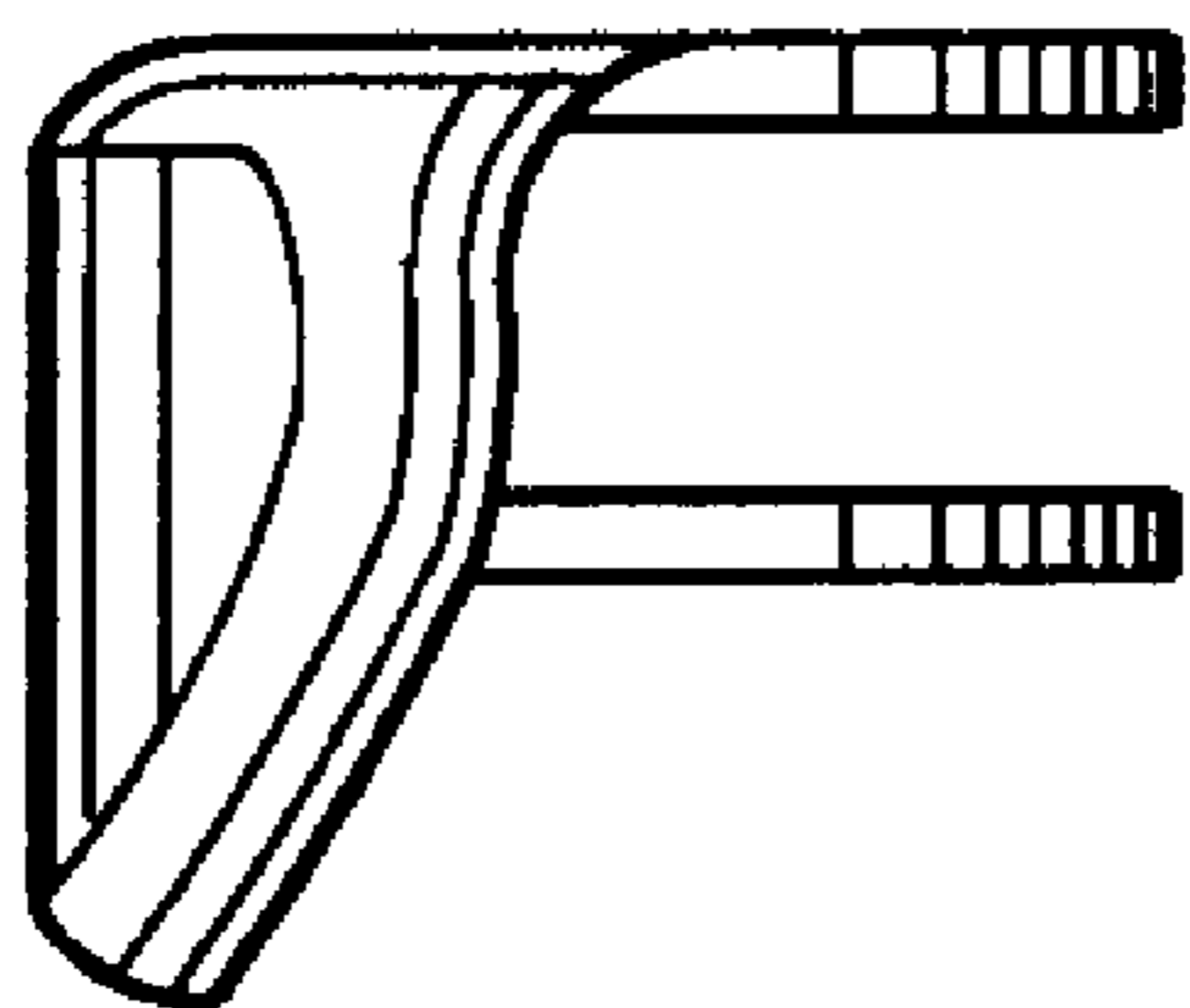


FIG. 2

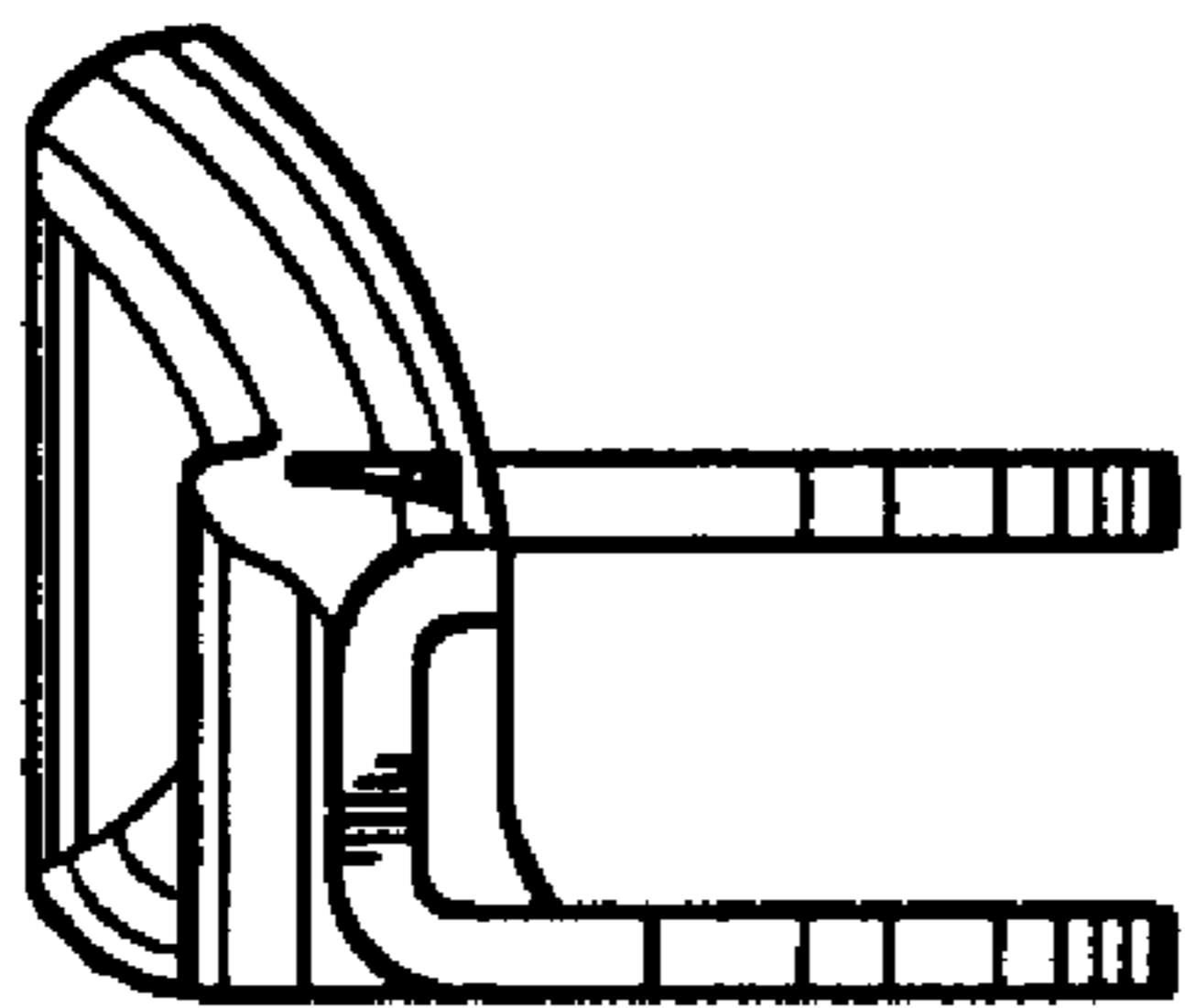


FIG. 3

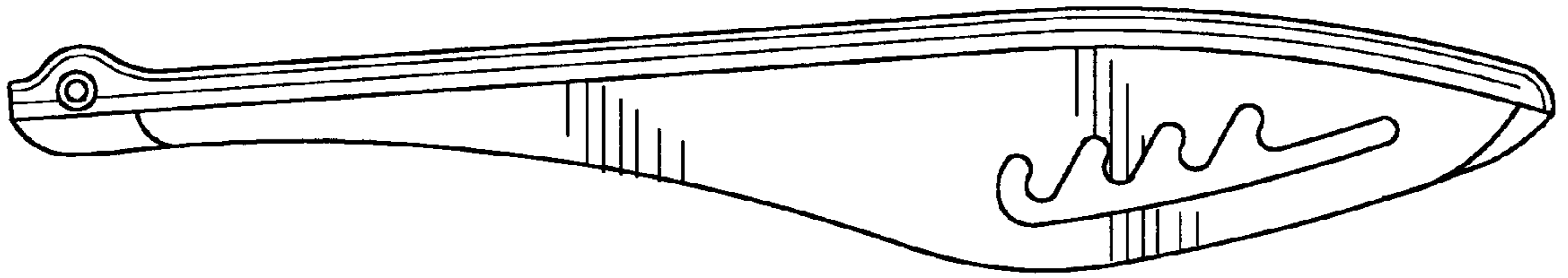


FIG. 4

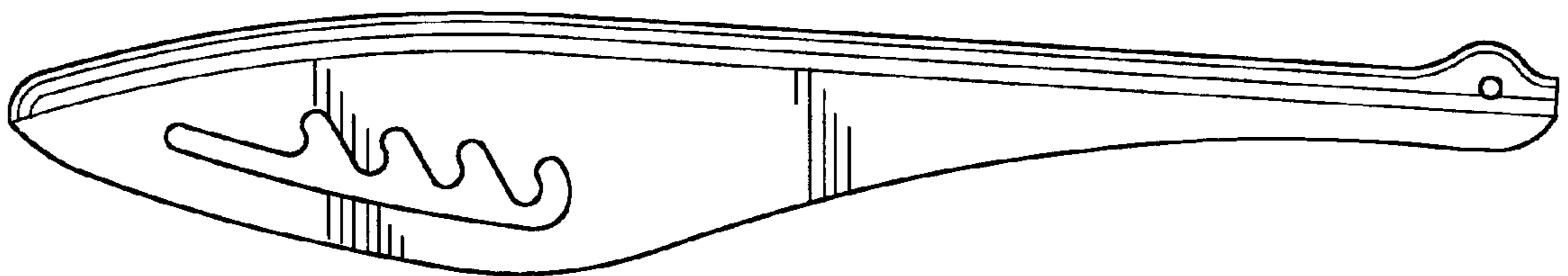


FIG. 5

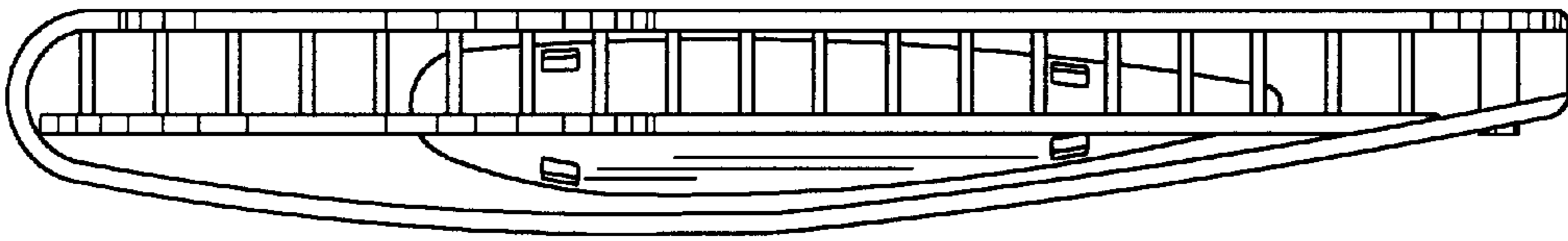


FIG. 7

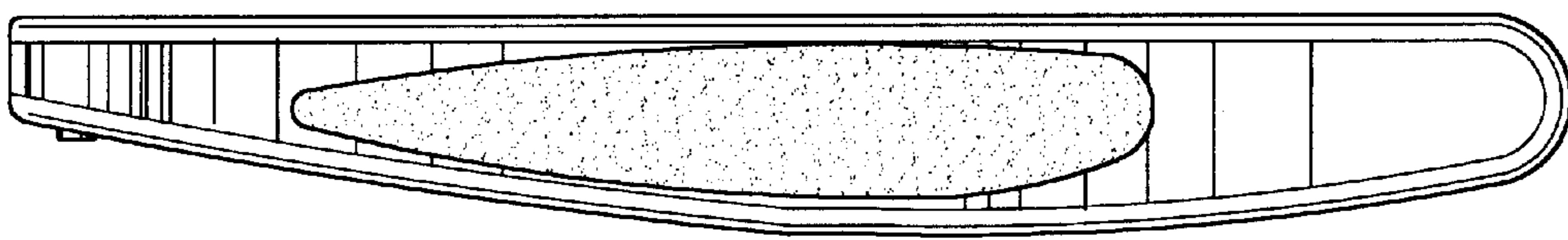


FIG. 6