



US00D458475S

(12) **United States Design Patent**
Hecht et al.

(10) **Patent No.:** **US D458,475 S**
(45) **Date of Patent:** **** Jun. 11, 2002**

(54) **CHAIR SIDE SUPPORT**

(75) Inventors: **Thomas R. Hecht**, Manheim; **Howard F. Livingston**, Lancaster, both of PA (US)

(73) Assignee: **Home Gardener Manufacturing Co.**, Lititz, PA (US)

(**) Term: **14 Years**

(21) Appl. No.: **29/137,154**

(22) Filed: **Feb. 15, 2001**

(51) **LOC (7) Cl.** **06-06**

(52) **U.S. Cl.** **D6/492**

(58) **Field of Search** D6/334, 370, 374, D6/376, 379, 380, 381, 492, 500, 501, 502; 297/445.1, 446.1, 452.63

(56) **References Cited**

U.S. PATENT DOCUMENTS

D137,587 S * 4/1944 Harasty D6/370

D222,453 S * 10/1971 Ziss et al. D6/370
D325,304 S * 4/1992 Grosfillex D6/370
D366,774 S * 2/1996 Frinier D6/370
D399,667 S * 10/1998 Muller D6/370
D420,825 S * 2/2000 Muller D6/370
D425,718 S * 5/2000 van Valderen D6/370

* cited by examiner

Primary Examiner—Gary D. Watson

(74) *Attorney, Agent, or Firm*—Dykema Gossett PLLC

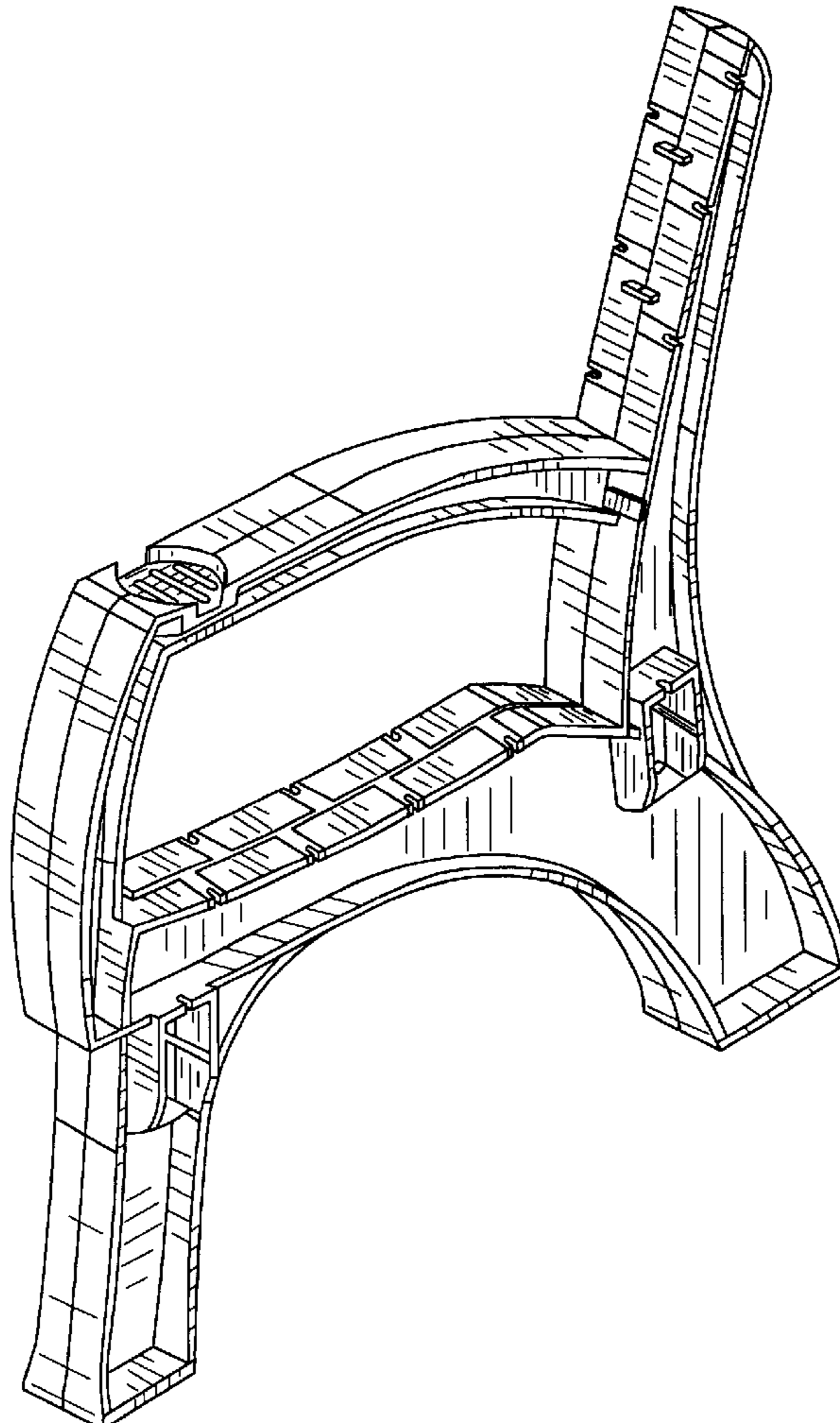
(57) **CLAIM**

The ornamental design for a chair side support, as shown and described.

DESCRIPTION

FIG. 1 is a front perspective view of a chair side support, showing our new design;
FIG. 2 is a rear perspective view thereof;
FIG. 3 is a side elevational view thereof;
FIG. 4 is a top plan view thereof; and,
FIG. 5 is a rear elevational view thereof.

1 Claim, 3 Drawing Sheets



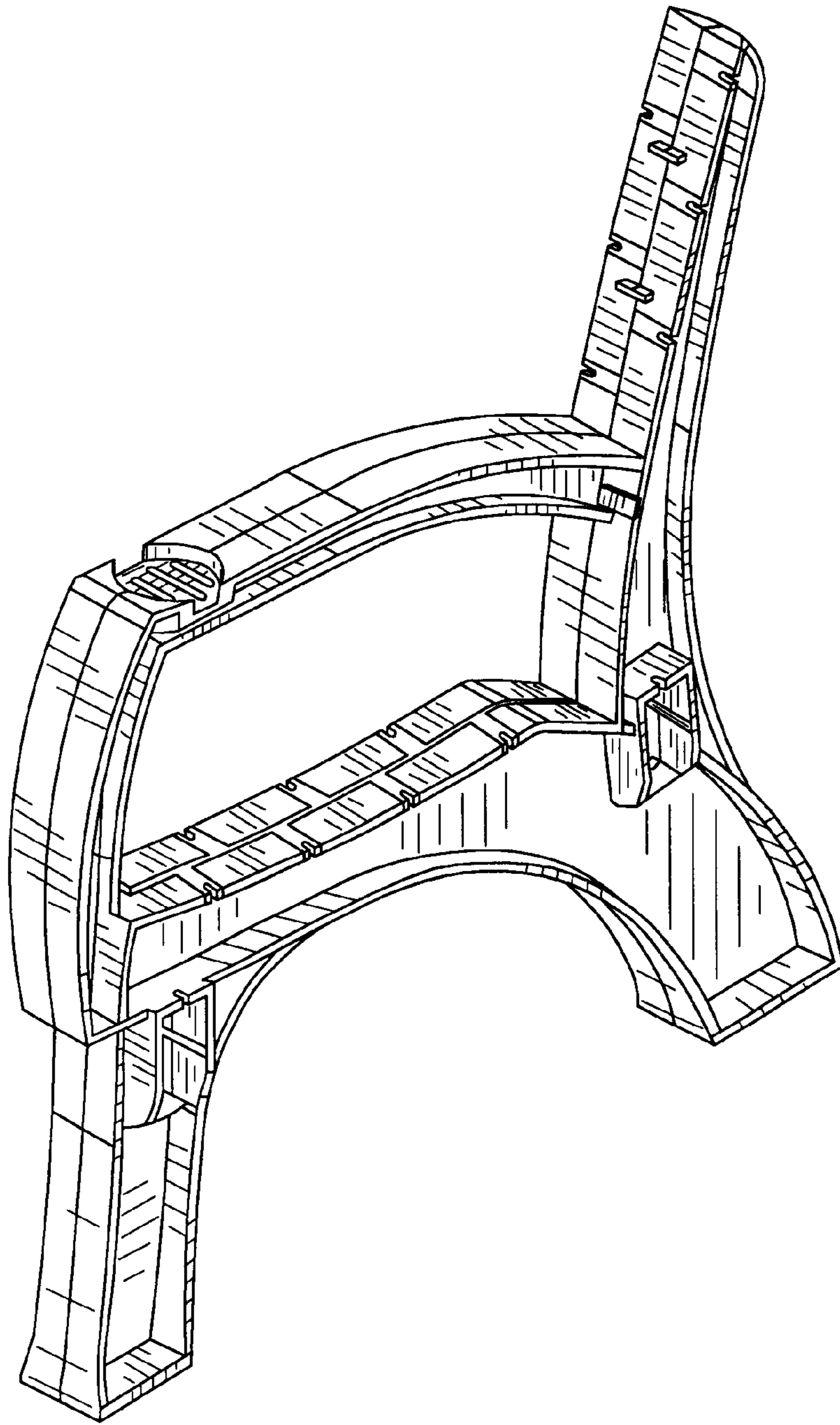


FIG. 1

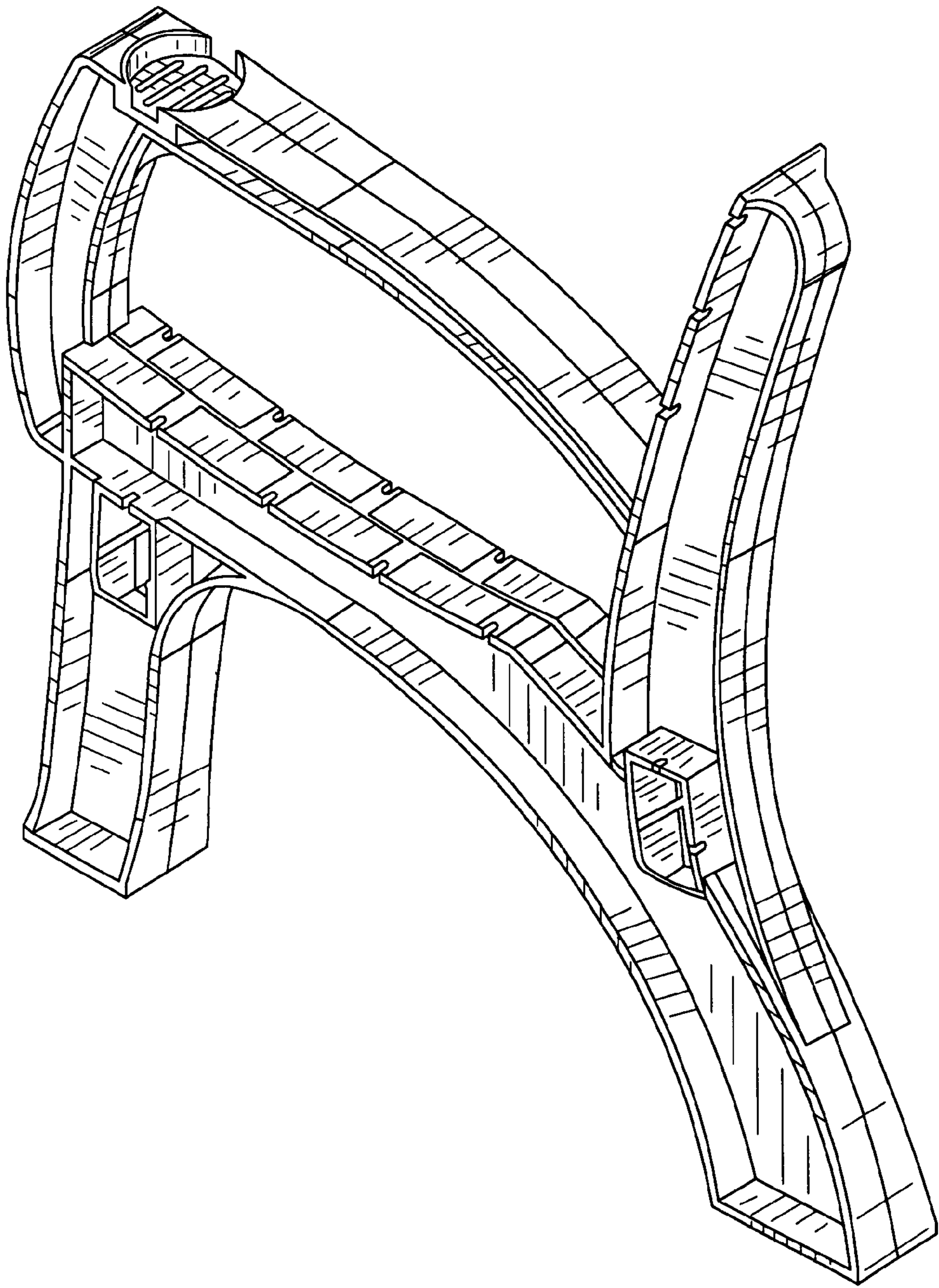


FIG. 2



FIG. 4

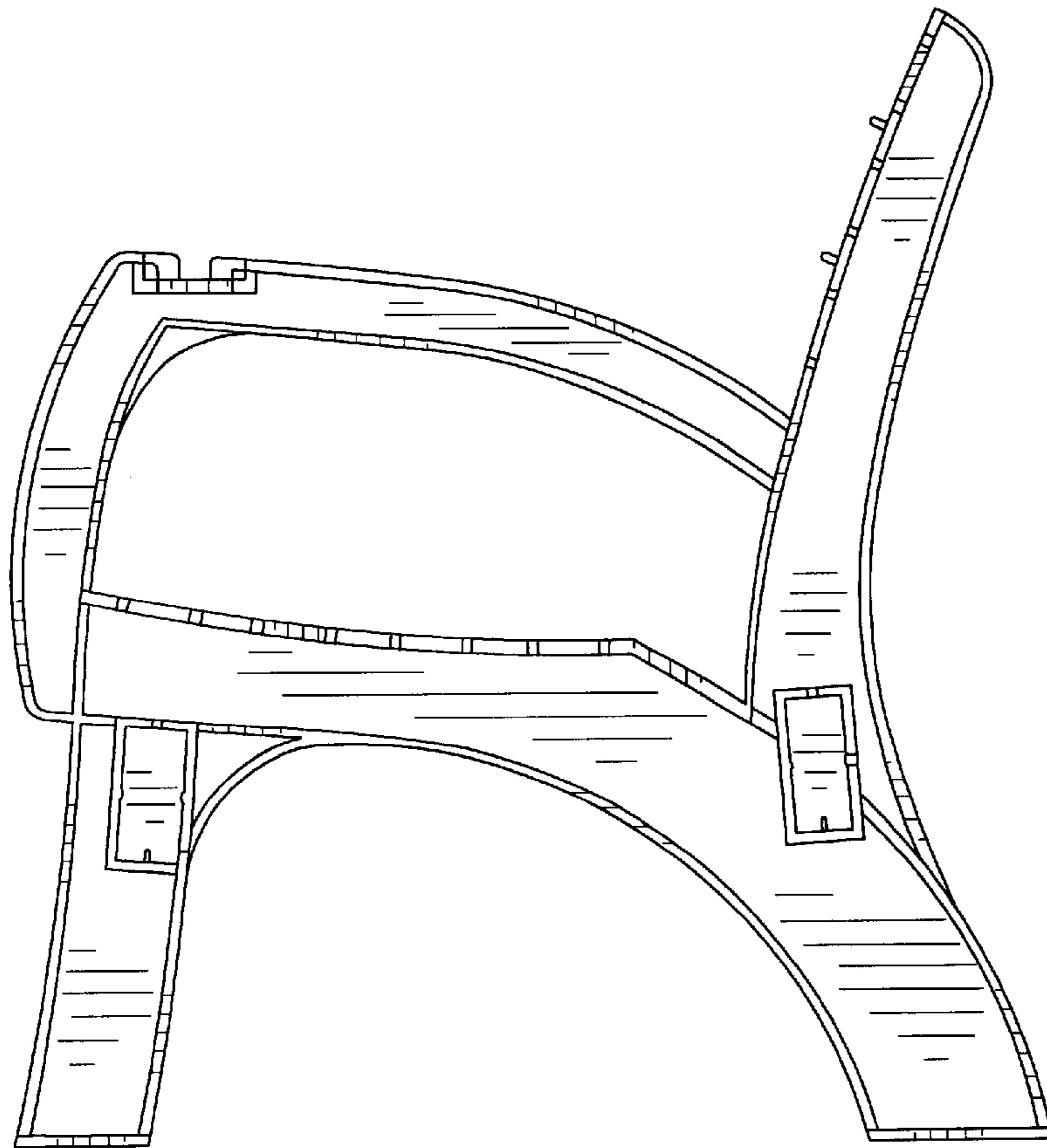


FIG. 3

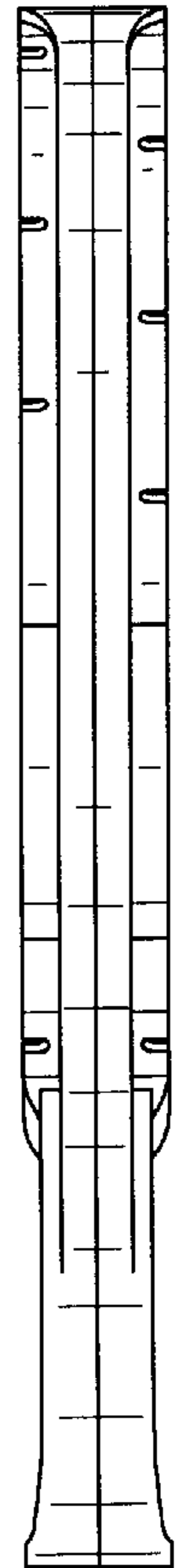


FIG. 5